



US00D885138S

(12) **United States Design Patent**
Braidotti

(10) **Patent No.:** **US D885,138 S**

(45) **Date of Patent:** **** May 26, 2020**

- (54) **DECORATED MUG**
- (71) Applicant: **Nely Cristina Braidotti**, Bauru (BR)
- (72) Inventor: **Nely Cristina Braidotti**, Bauru (BR)
- (**) Term: **15 Years**
- (21) Appl. No.: **29/674,196**
- (22) Filed: **Dec. 20, 2018**
- (30) **Foreign Application Priority Data**
 - Jun. 21, 2018 (BR) 30 2018 002701-9
- (51) **LOC (12) Cl.** **07-01**
- (52) **U.S. Cl.**
USPC **D7/536; D7/533; D7/510**
- (58) **Field of Classification Search**
 - USPC D7/507, 509, 510, 511, 523, 532, 533, D7/535, 536, 300.1, 608, 392.1, 396.2, D7/529, 530, 531; D9/435, 449, 503, D9/504, 684, 688, 728, 686, 601, 609, D9/440; 220/200, 592.16, 592.17; D3/202; D11/152, 153, 143, 144
 - CPC A47J 43/27; A47J 41/02; A47J 41/0077; A47G 19/22; A47G 19/2288; A47G 19/2205

See application file for complete search history.

- (56) **References Cited**
 - U.S. PATENT DOCUMENTS
 - 161,625 A * 4/1875 McInnes G01F 19/00 73/427
 - 2,102,510 A * 12/1937 Cecil, II B65D 3/28 229/117.12
 - 2,251,017 A * 7/1941 Jopson A47G 23/0216 229/402
 - 3,820,684 A * 6/1974 Harrison B65D 1/265 206/520

- 4,589,569 A * 5/1986 Clements B65D 43/0212 206/508
- D438,298 S * 2/2001 McNutt D23/366
- 6,213,336 B1 * 4/2001 Lin A47G 19/027 220/592.16
- D479,692 S * 9/2003 Nilsson D10/46.2
- 6,634,417 B1 * 10/2003 Kolowich A47G 19/127 165/10
- 6,968,888 B2 * 11/2005 Kolowich A47G 19/127 165/10
- D538,598 S * 3/2007 Haataja D7/523
- D543,777 S * 6/2007 Seum D7/392.1
- D590,662 S * 4/2009 Cheng D7/509
- D591,595 S * 5/2009 Tedford, Jr. D9/447
- D592,056 S * 5/2009 Tedford, Jr. D9/447
- D658,057 S * 4/2012 Donat D9/447
- D664,001 S * 7/2012 Liu D7/510
- D675,524 S * 2/2013 Bickert D7/392.1
- D763,039 S * 8/2016 Ionov D7/510
- D804,902 S * 12/2017 Weernink D7/510
- D815,489 S * 4/2018 Yan D7/396.2

(Continued)

Primary Examiner — Jae Liang
(74) *Attorney, Agent, or Firm* — Schmeiser, Olsen & Watts, LLP

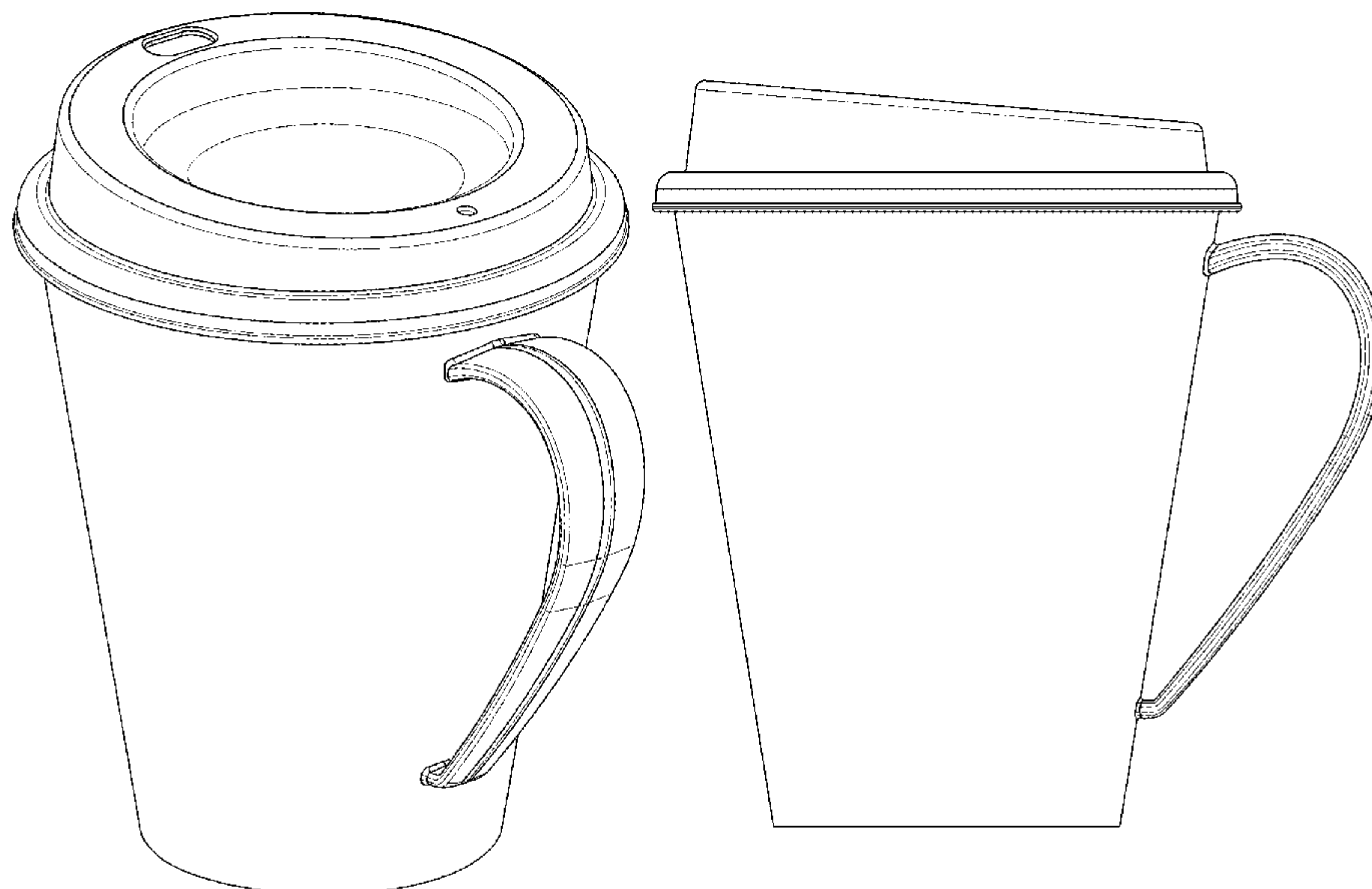
(57) **CLAIM**

The ornamental design for a decorated mug, as shown and described.

DESCRIPTION

FIG. 1 is a perspective view of a decorated mug showing my new design;
FIG. 2 is a front view of the decorated mug;
FIG. 3 is a rear view of the decorated mug;
FIG. 4 is a right-hand lateral view of the decorated mug;
FIG. 5 is a left-hand lateral view of the decorated mug;
FIG. 6 is a top view of the decorated mug; and,
FIG. 7 is a bottom view of the decorated mug.
The broken lines in the drawings depict portions of the decorated mug that form no part of the claimed design.

1 Claim, 7 Drawing Sheets



(56)

References Cited

U.S. PATENT DOCUMENTS

D820,480 S * 6/2018 Kaliroff D26/7
D850,215 S * 6/2019 Schmidt Dios D7/602
2005/0103794 A1 * 5/2005 Liu A47G 19/22
220/703
2006/0071008 A1 * 4/2006 Sadlier B65D 43/0218
220/713
2006/0243734 A1 * 11/2006 Tedford, Jr. B65D 47/06
220/780
2007/0023442 A1 * 2/2007 Auzenne B65D 39/0005
220/801
2008/0006643 A1 * 1/2008 Ma A47J 41/0011
220/592.16
2008/0011762 A1 * 1/2008 Boone B65D 43/0212
220/713
2009/0283526 A1 * 11/2009 Pierce A47G 19/22
220/254.7
2011/0309093 A1 * 12/2011 Buck A47G 19/2205
220/711
2013/0037558 A1 * 2/2013 Selina B65D 21/0219
220/715
2013/0221013 A1 * 8/2013 Kolowich A47J 36/2444
220/592.17

* cited by examiner

FIG. 1



FIG. 2



FIG. 3

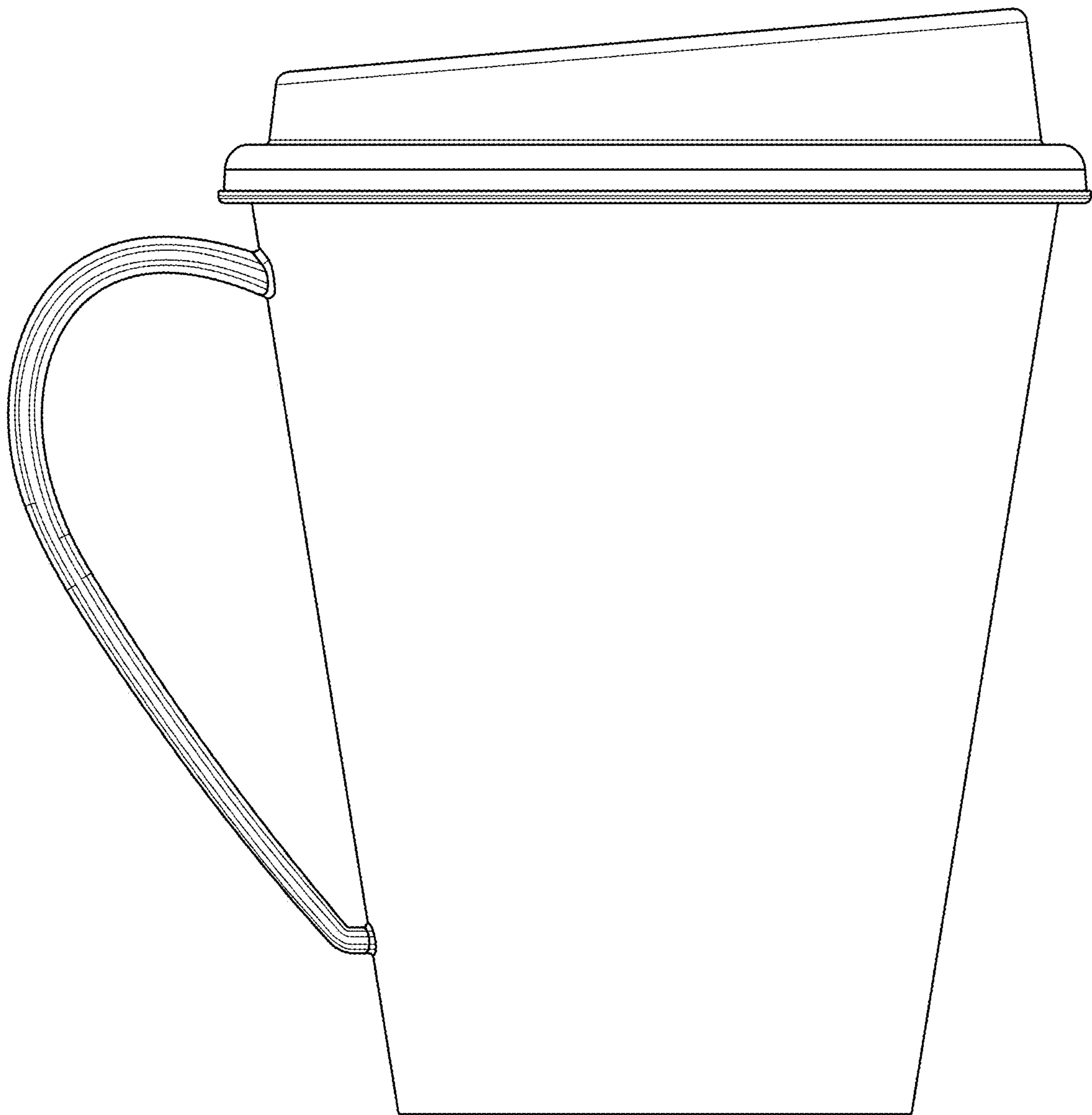


FIG. 4

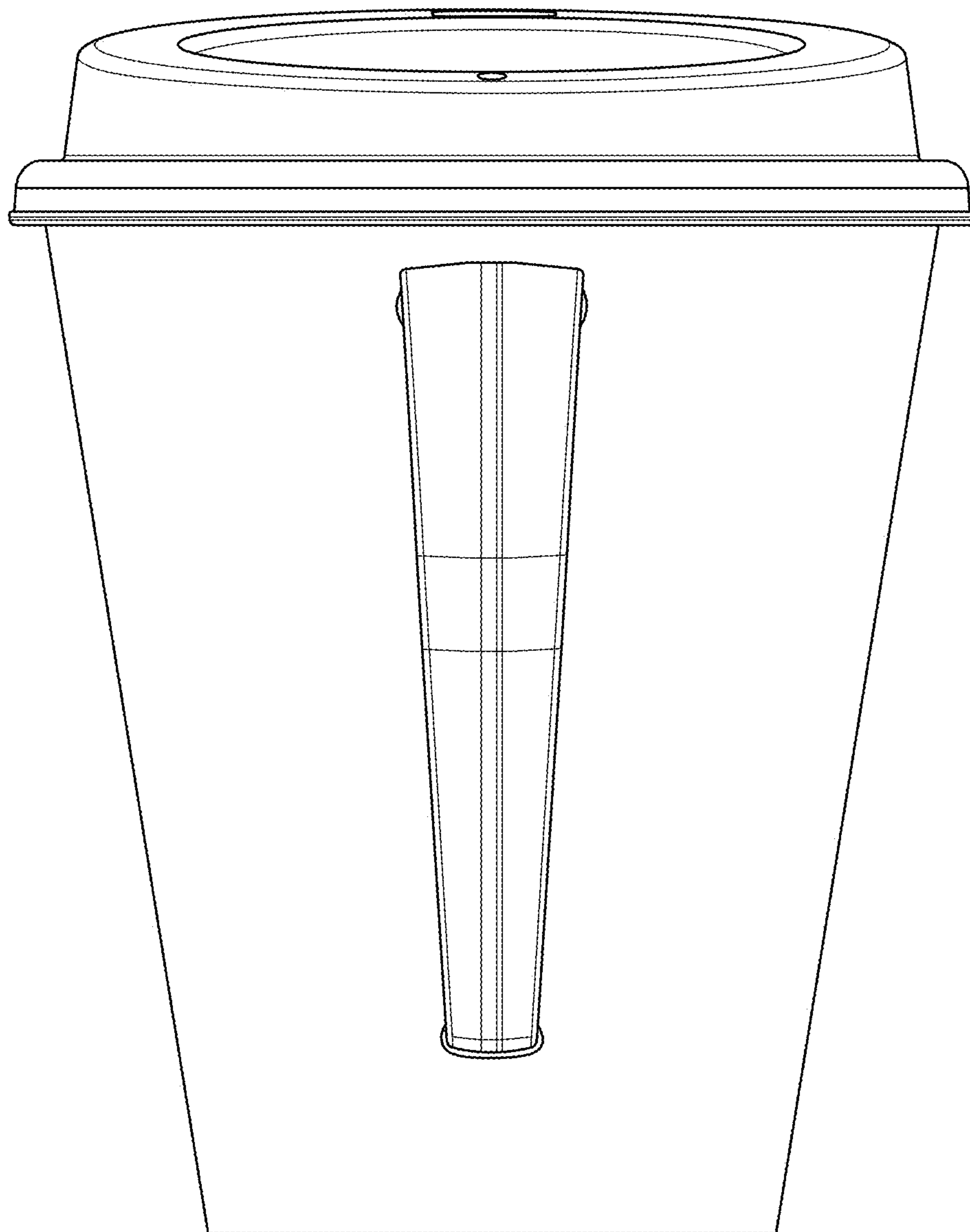


FIG. 5

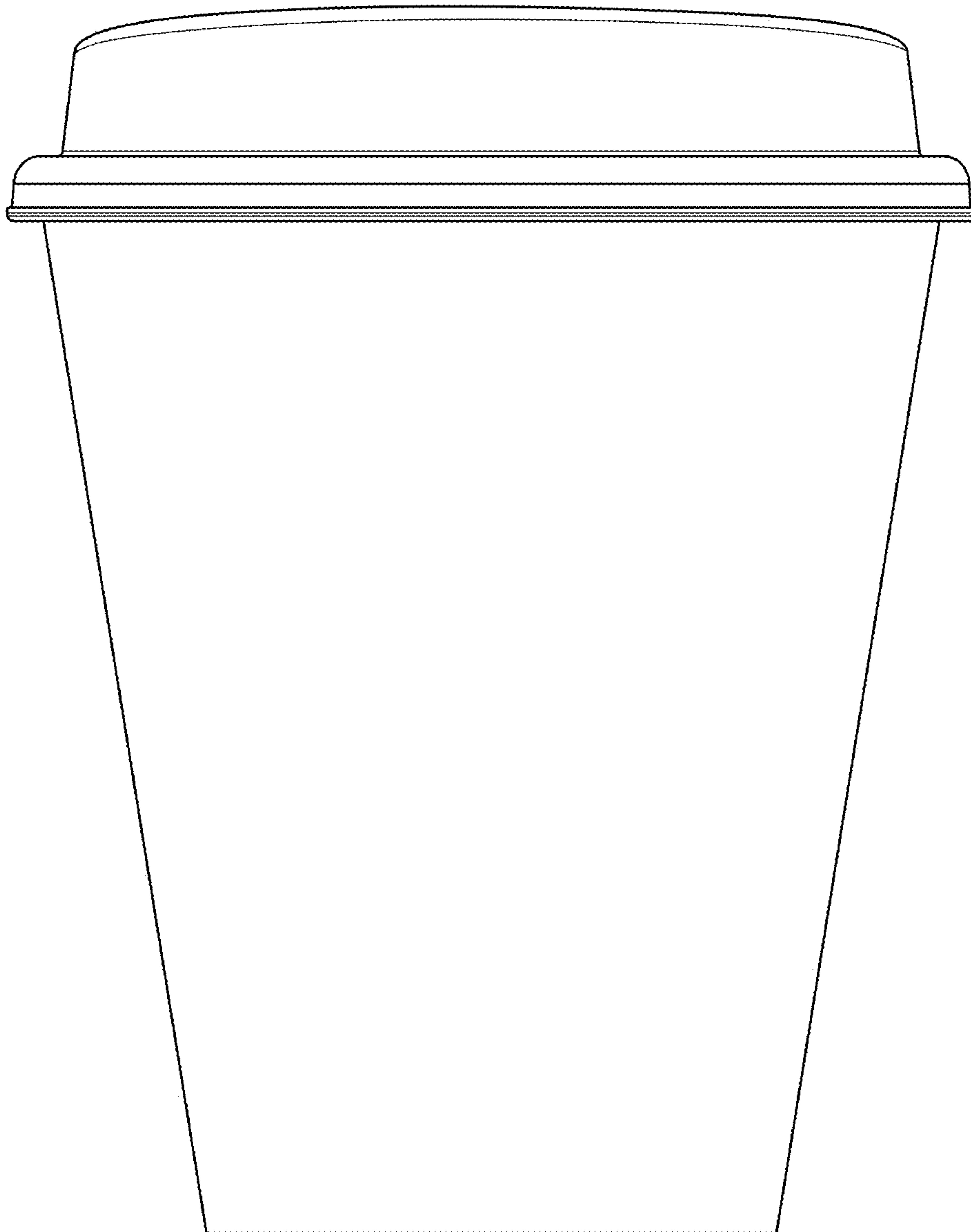


FIG. 6

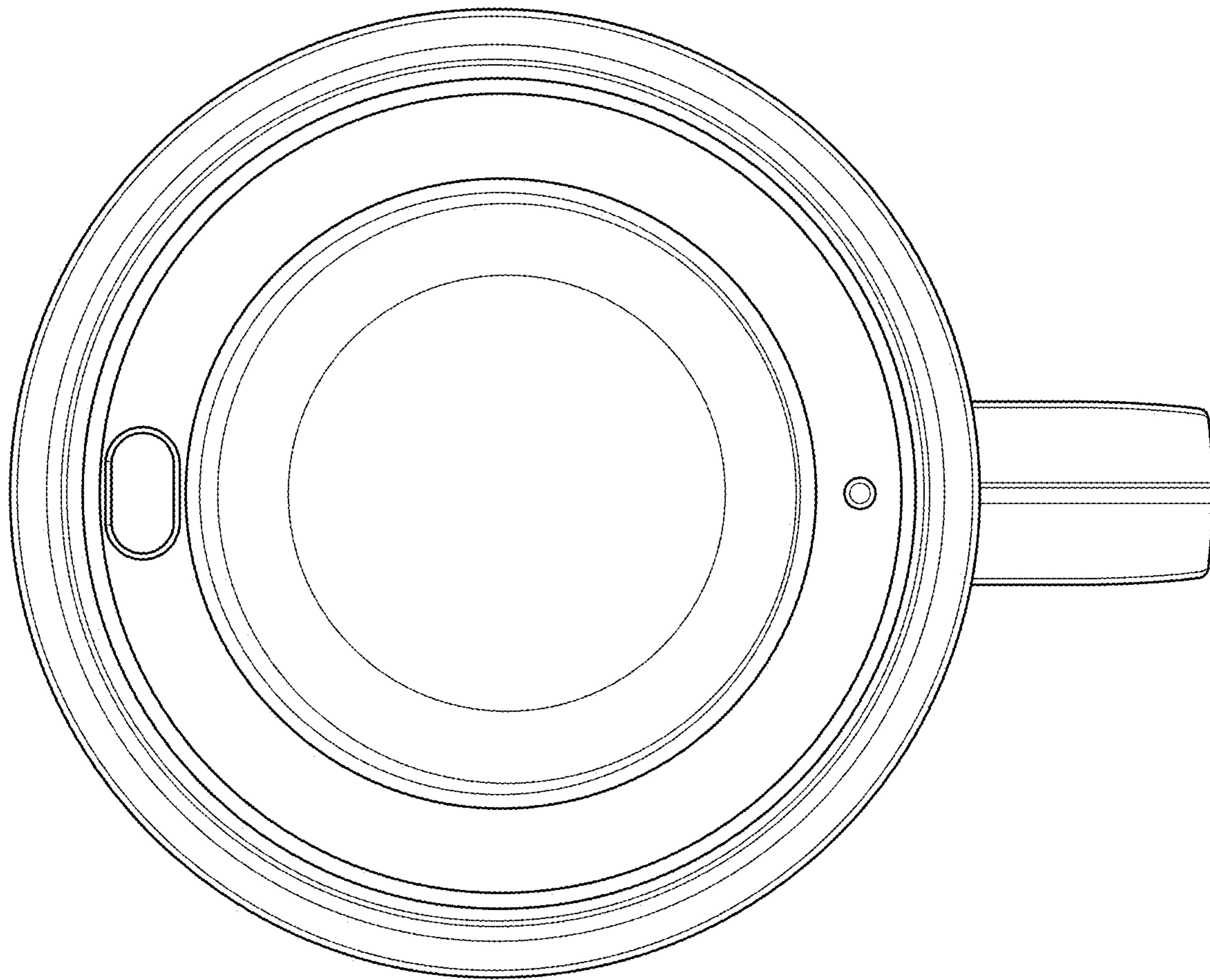


FIG. 7

