



US00D885134S

(12) **United States Design Patent** (10) **Patent No.:** **US D885,134 S**
Bodum (45) **Date of Patent:** **** *May 26, 2020**

(54) **GLASS**
(71) Applicant: **PI-Design AG**, Triengen (CH)
(72) Inventor: **Jorgen Bodum**, Meggen (CH)
(73) Assignee: **PI-Design AG**, Triengen (CH)
(*) Notice: This patent is subject to a terminal disclaimer.

D553,437 S *	10/2007	Bodum	D7/509
D568,103 S *	5/2008	Bodum	D7/509
D577,253 S *	9/2008	Bodum	D7/399
D581,739 S *	12/2008	Bodum	D7/509
D613,624 S *	4/2010	Bodum	D10/46.2
D622,104 S *	8/2010	Ross	D7/523
D670,836 S *	11/2012	Hisey	26/22
D745,324 S *	12/2015	Malaspino	D7/523
D748,944 S *	2/2016	Ross	D7/536
D800,503 S *	10/2017	Notheis	D7/523
D817,101 S *	5/2018	Kestenbaum	D7/536
D846,948 S *	4/2019	Chin	D7/510

(**) Term: **15 Years**

(21) Appl. No.: **29/649,145**

(22) Filed: **May 26, 2018**

(30) **Foreign Application Priority Data**

Dec. 27, 2017 (WO) DM/099151

(51) **LOC (12) Cl.** **07-01**

(52) **U.S. Cl.**
USPC **D7/523; D7/509**

(58) **Field of Classification Search**
USPC D7/523, 532, 524, 509; D11/143, 144;
D9/424, 428; D6/403, 405
CPC . A01G 9/00; A01G 9/02; A01G 9/021; A01G
9/022; A01G 9/024; A47G 19/22; A47G
19/2205; A47G 7/00; A47G 7/02; A47G
7/06

See application file for complete search history.

(56) **References Cited**

U.S. PATENT DOCUMENTS

D47,354 S *	5/1915	Anderson	D7/523
2,012,113 A *	8/1935	Thompson	A47G 19/2205 215/363
D508,594 S *	8/2005	Snell	D34/1
D526,848 S *	8/2006	Bodum		
D538,598 S *	3/2007	Haataja	D7/523

OTHER PUBLICATIONS

Select portions of Bodum Collection Catalogue, Jan. 2017, 3 pages.
PI-Design AG, U.S. Appl. No. 29/649,143, filed May 26, 2018.
PI-Design AG, U.S. Appl. No. 29/649,144, filed May 26, 2018.
PI-Design AG, U.S. Appl. No. 29/649,146, filed May 26, 2018.

* cited by examiner

Primary Examiner — Derrick E Holland

Assistant Examiner — Andrew Kerr

(74) *Attorney, Agent, or Firm* — McDonnell Boehnen
Hulbert & Berghoff LLP

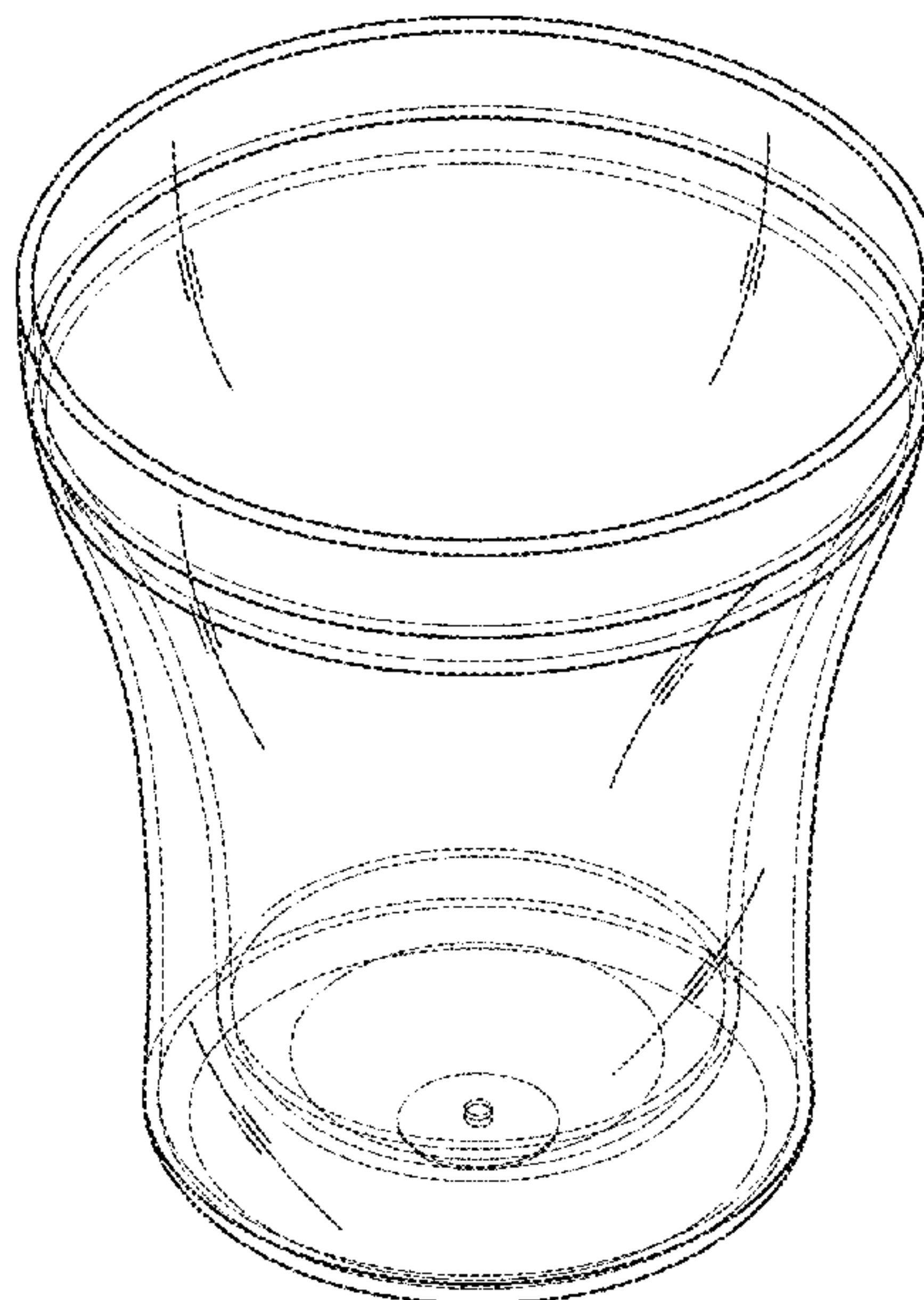
(57) **CLAIM**

The ornamental design for a glass, as shown and described.

DESCRIPTION

FIG. 1 is a perspective view of a glass showing my new design;
FIG. 2 is a front view thereof;
FIG. 3 is a rear view thereof;
FIG. 4 is a left side view thereof;
FIG. 5 is a right side view thereof;
FIG. 6 is a top view thereof; and,
FIG. 7 is a bottom view thereof.

1 Claim, 7 Drawing Sheets



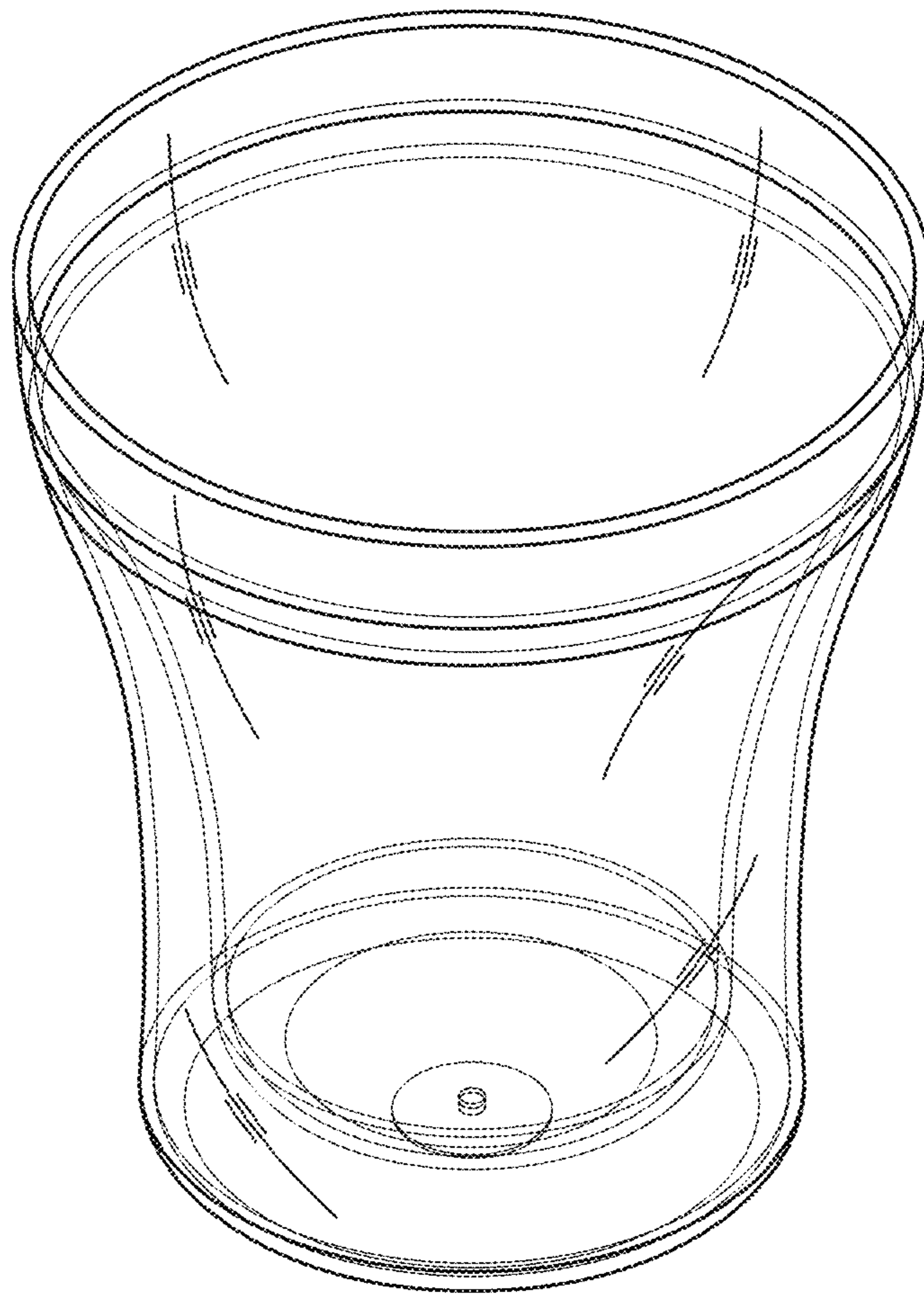


FIG. 1

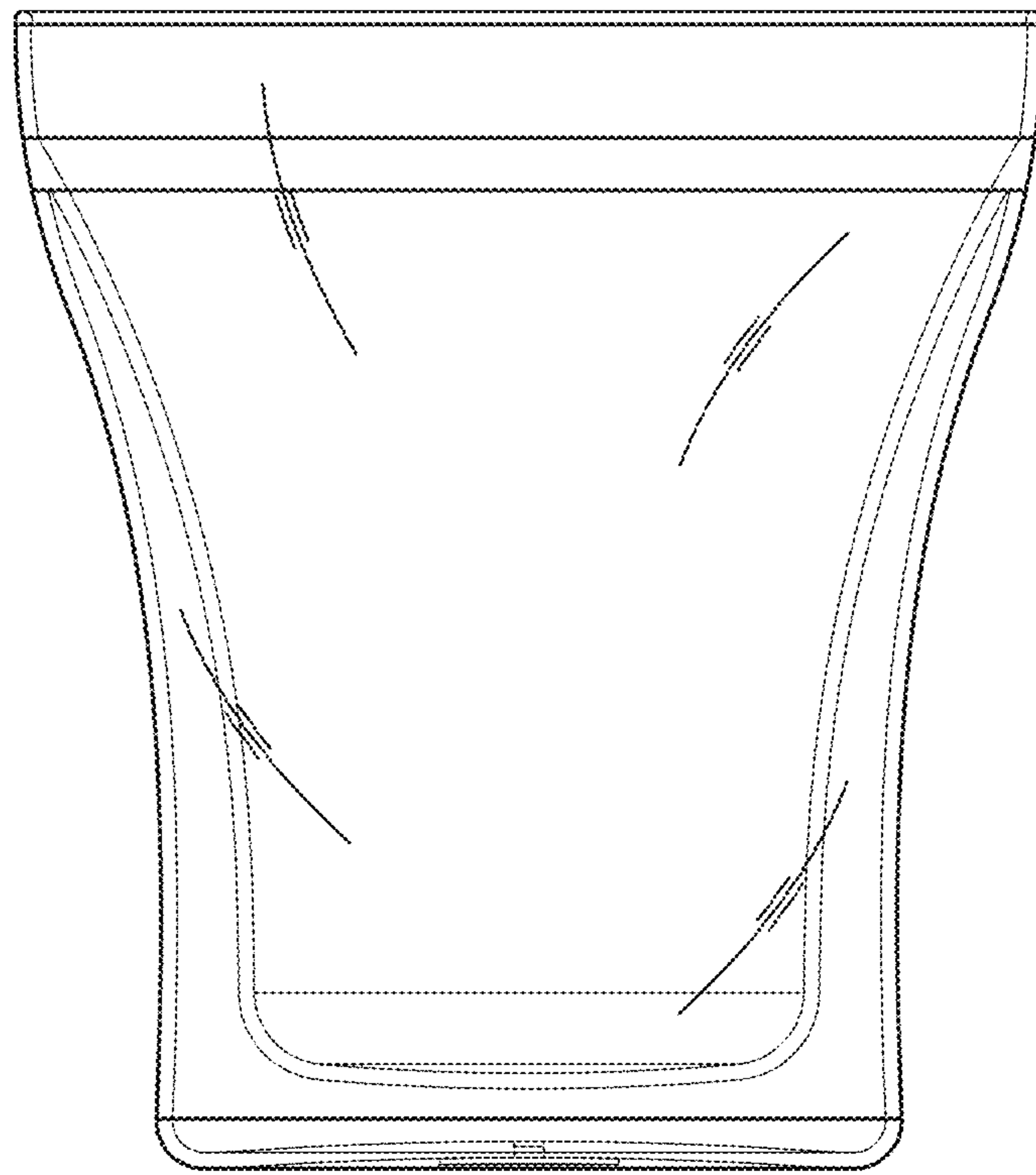


FIG. 2

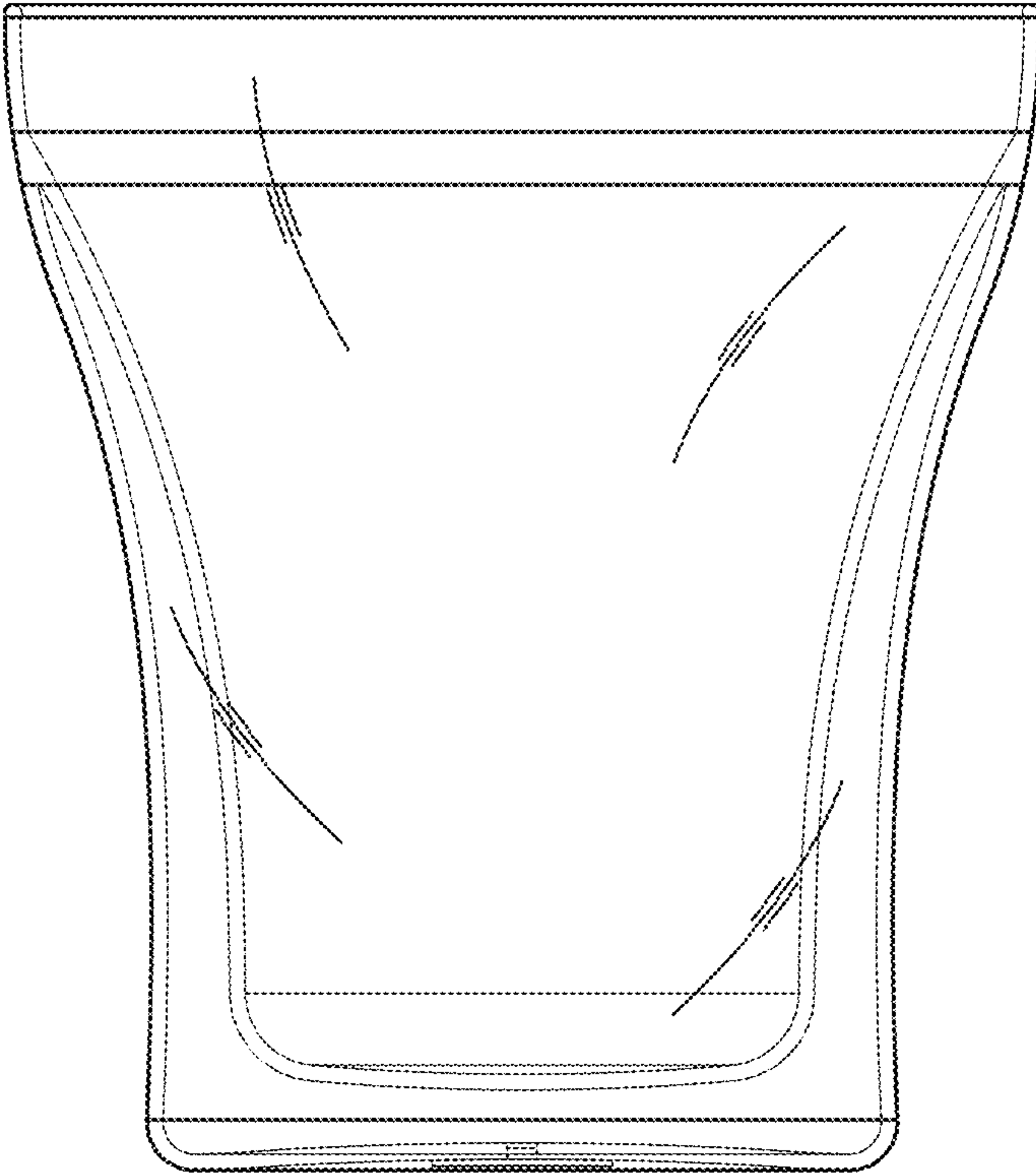


FIG. 3

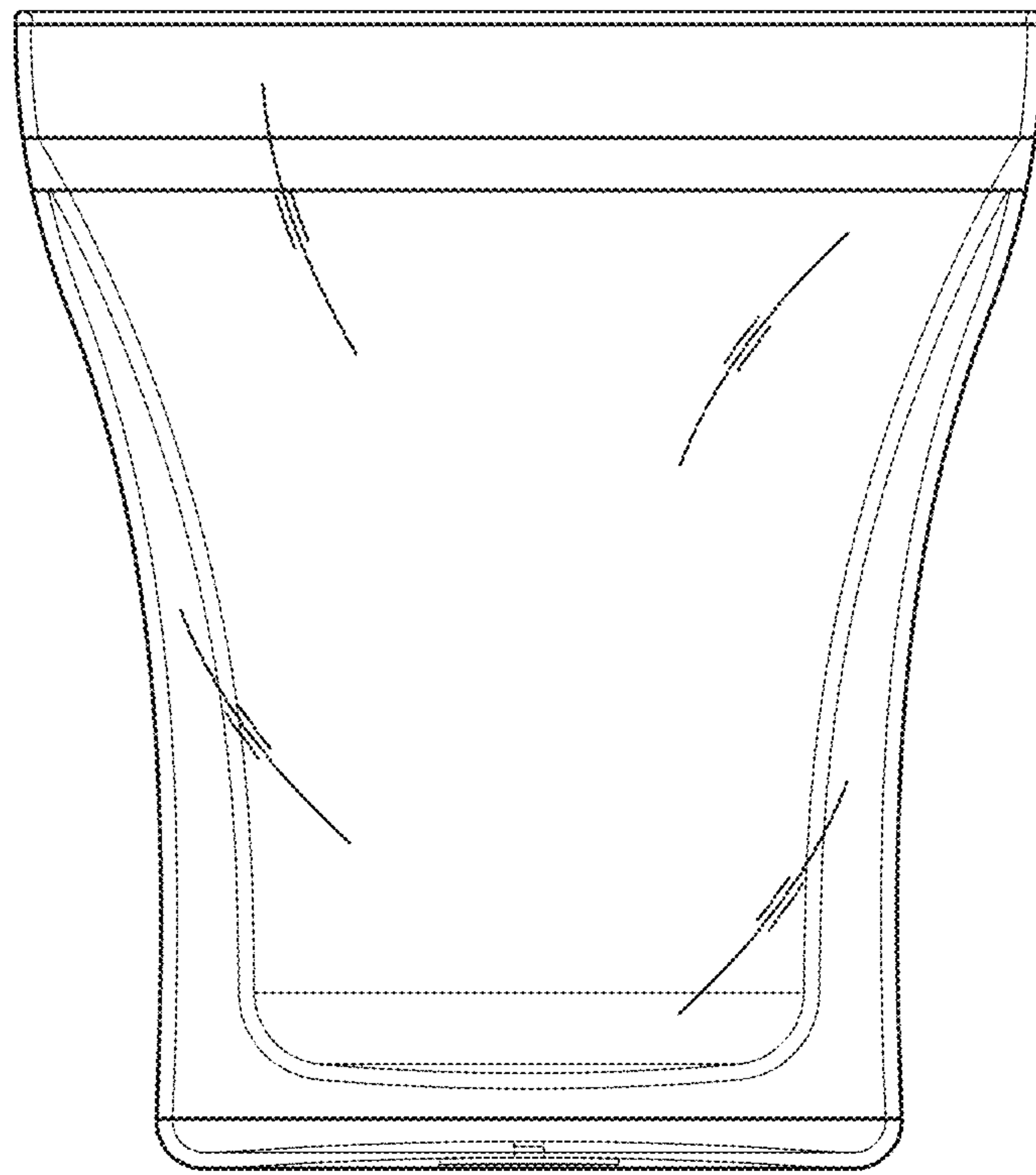


FIG. 4

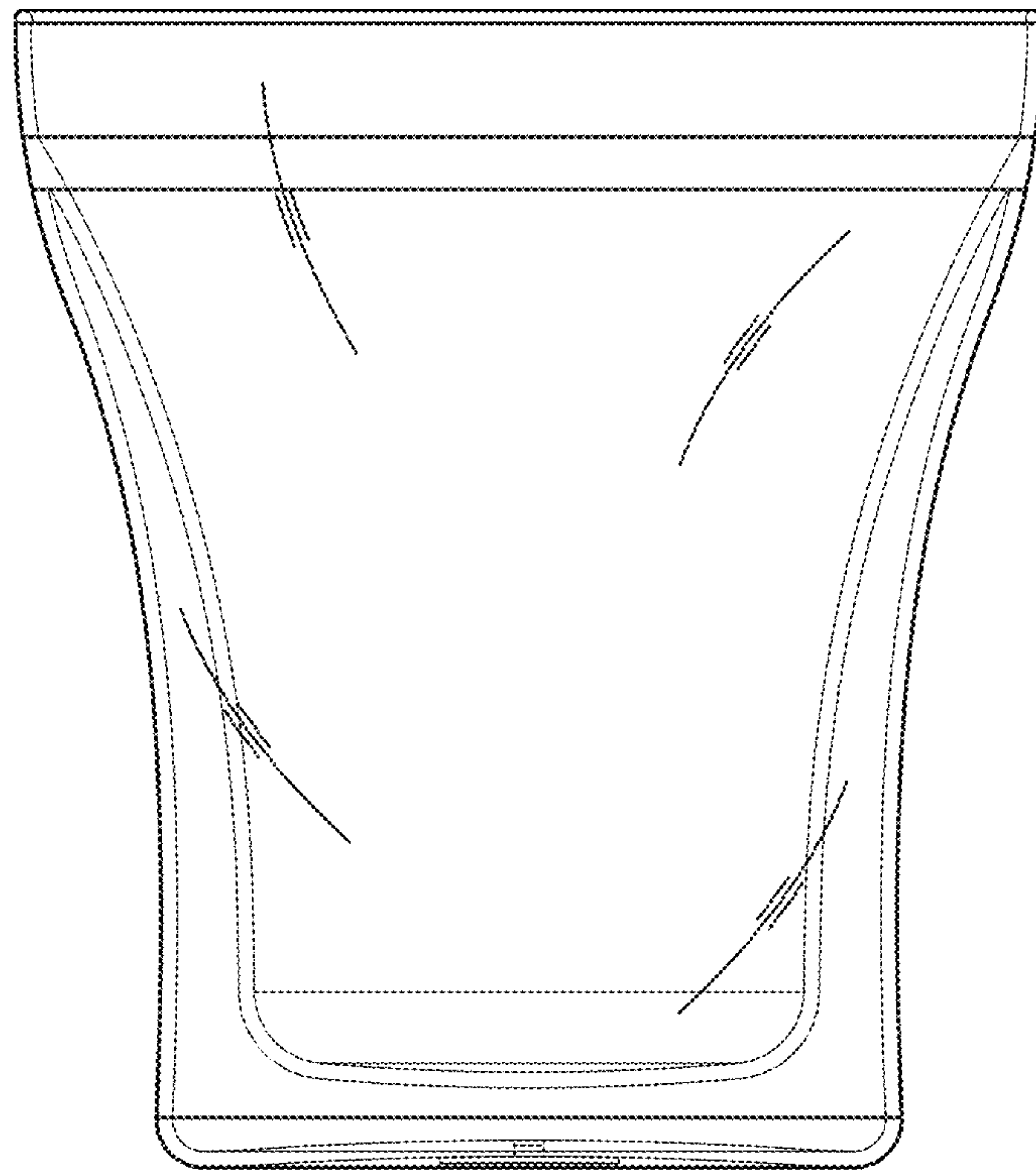


FIG. 5

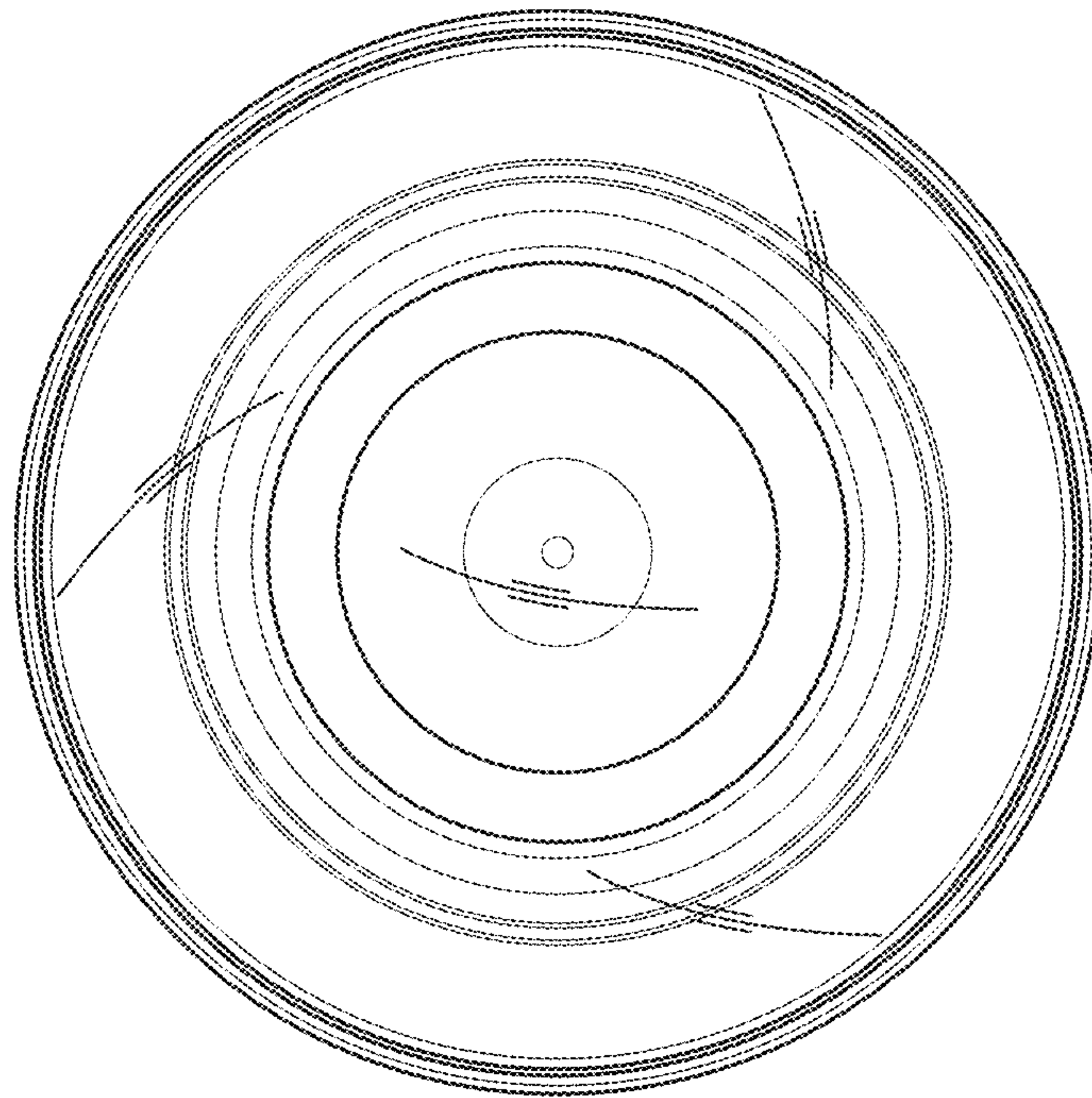


FIG. 6

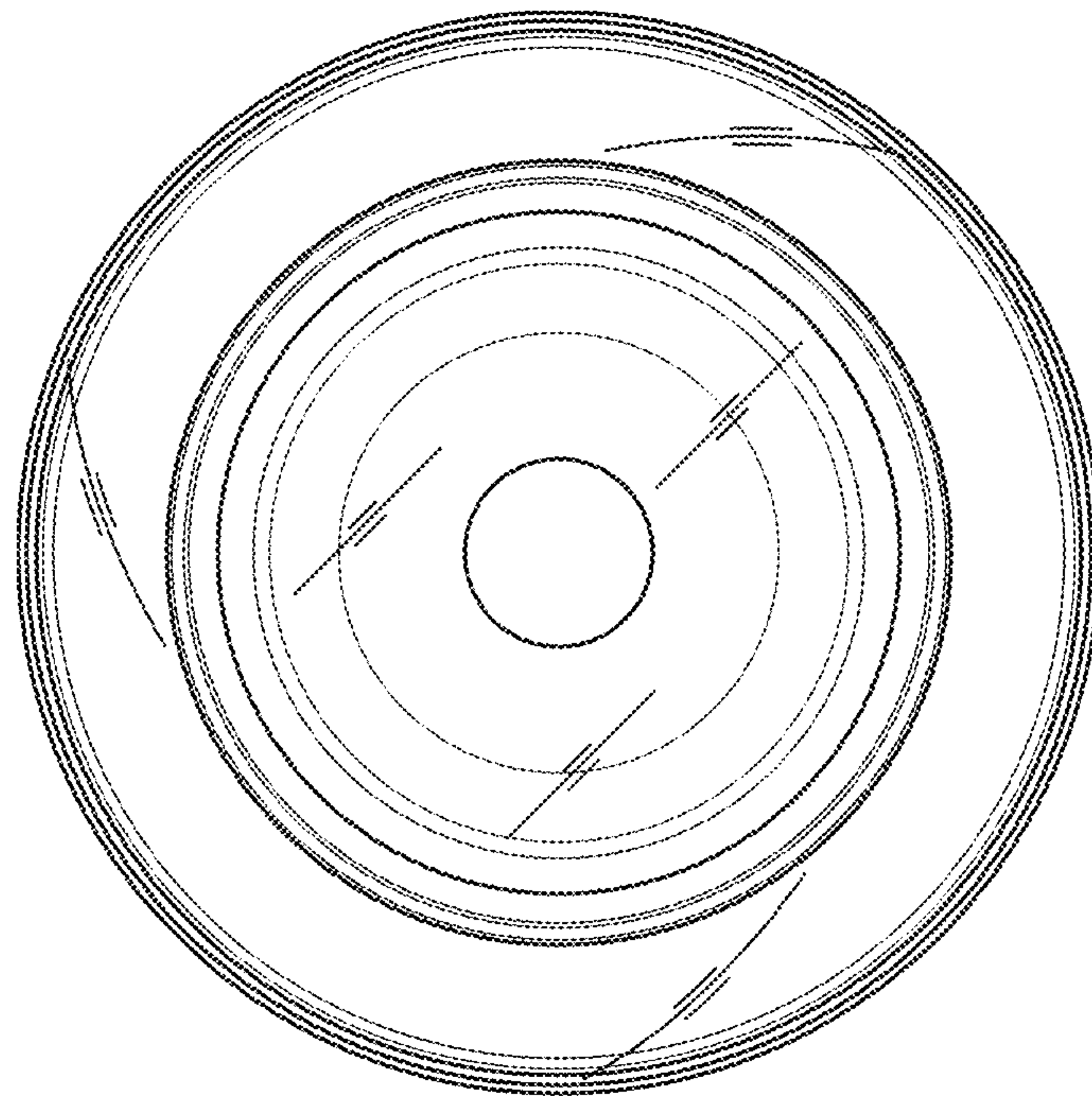


FIG. 7