



US00D885131S

(12) **United States Design Patent**
Wang et al.

(10) **Patent No.:** **US D885,131 S**
(45) **Date of Patent:** **** May 26, 2020**

(54) **WATER BOTTLE**

(71) Applicant: **SHEN ZHEN QUICK FIT PLASTIC CO., LTD.**, Shenzhen (CN)

(72) Inventors: **Qi Wang**, Shenzhen (CN); **Hui Kang**, Shenzhen (CN)

(**) Term: **15 Years**

(21) Appl. No.: **29/701,359**

(22) Filed: **Aug. 11, 2019**

(51) **LOC (12) Cl.** **07-01**

(52) **U.S. Cl.**
USPC **D7/510; D7/532; D7/536**

(58) **Field of Classification Search**
USPC D7/507, 509, 510, 511, 512, 523, 532, D7/529, 531, 533, 535, 536, 608, 392.1, D7/396.2; D9/503, 504, 552, 435, 447; D11/143, 144, 152, 153; D24/197
CPC A47J 41/0077; A47J 41/02; A47G 19/22; A47G 19/2205; A47G 2019/2277; A47G 19/2288; A45F 3/20; B65D 43/02
See application file for complete search history.

(56) **References Cited**

U.S. PATENT DOCUMENTS

D519,380 S	4/2006	Leoncavallo et al.	
D623,460 S	9/2010	Krasner	
8,297,462 B1 *	10/2012	Joyce	A45F 3/18 215/396
D682,034 S *	5/2013	El-Saden	D7/510

D688,093 S *	8/2013	Roth	D7/392.1
D732,892 S *	6/2015	Keys	D7/510
D781,654 S *	3/2017	Marquard	D7/510
D799,320 S *	10/2017	Goodwin	D7/392.1
D810,500 S *	2/2018	Maple	D7/392.1
D830,772 S *	10/2018	Rosette	D7/510
D835,938 S *	12/2018	Zou	D7/392.1
2014/0048511 A1 *	2/2014	El-Saden	A45F 3/16 215/389
2015/0173539 A1 *	6/2015	Mason	A47G 19/2272 220/707

* cited by examiner

Primary Examiner — Jae Liang

(74) *Attorney, Agent, or Firm* — W&K IP

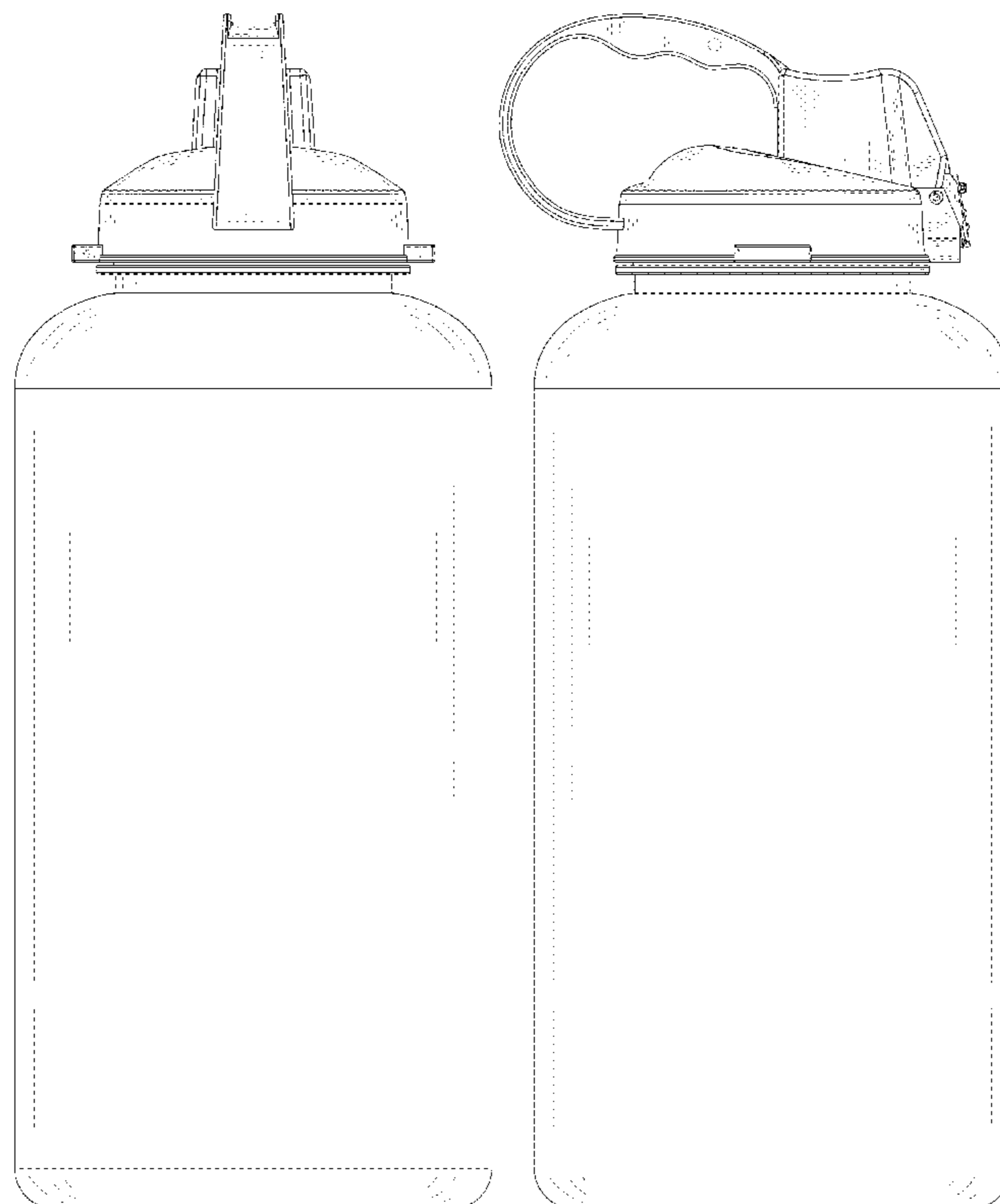
(57) **CLAIM**

The ornamental design for a water bottle, as shown and described.

DESCRIPTION

FIG. 1 is a perspective view of a water bottle showing my new design;
FIG. 2 is a front view thereof;
FIG. 3 is a rear view thereof;
FIG. 4 is a left side view thereof;
FIG. 5 is a right side view thereof;
FIG. 6 is a top plan view thereof;
FIG. 7 is a bottom plan view thereof; and,
FIG. 8 is a top perspective view thereof with the top lid in its opened position.
The broken lines in the drawings depict portions of the water bottle that form no part of the claimed design.

1 Claim, 8 Drawing Sheets



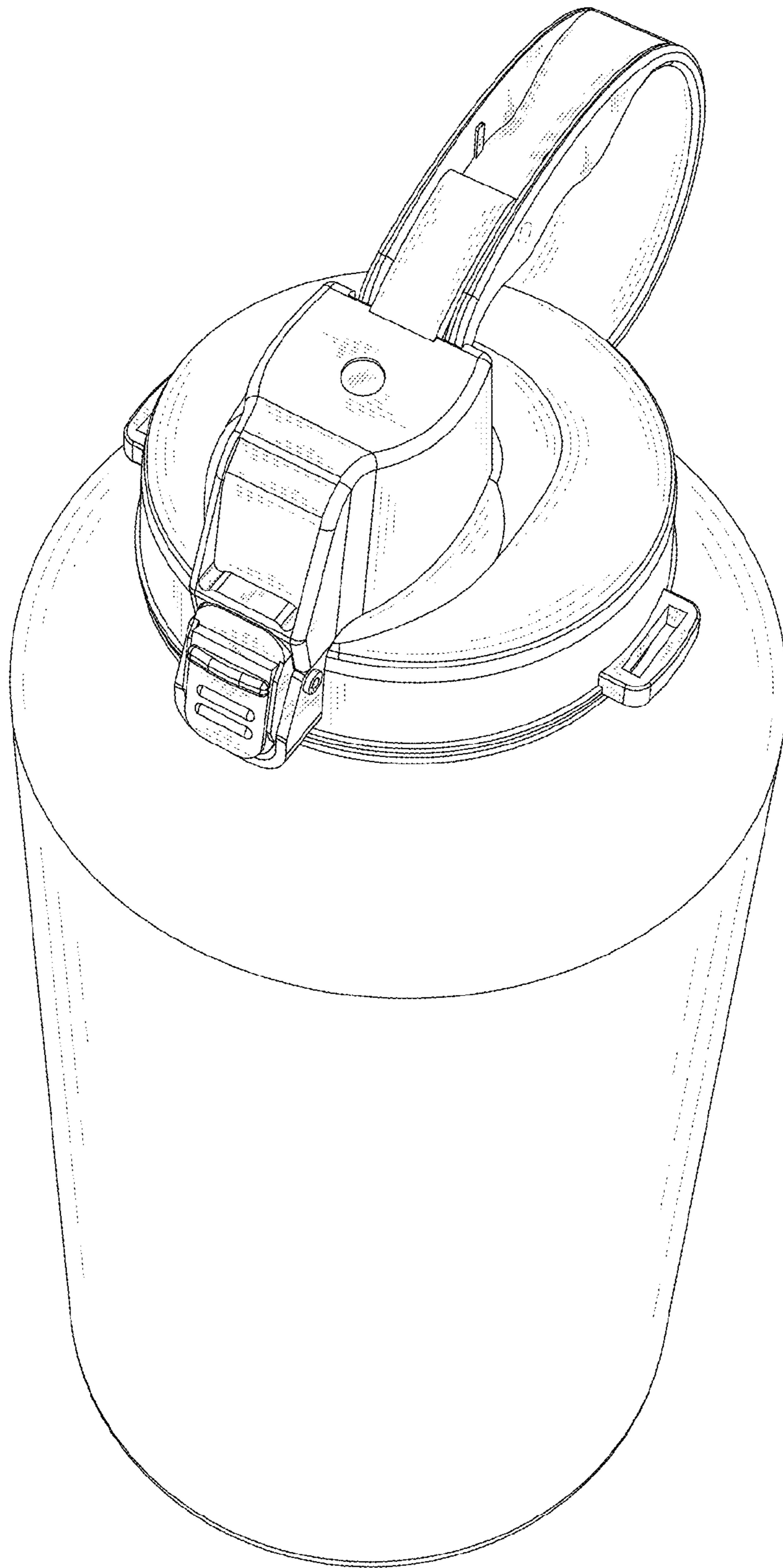


FIG. 1

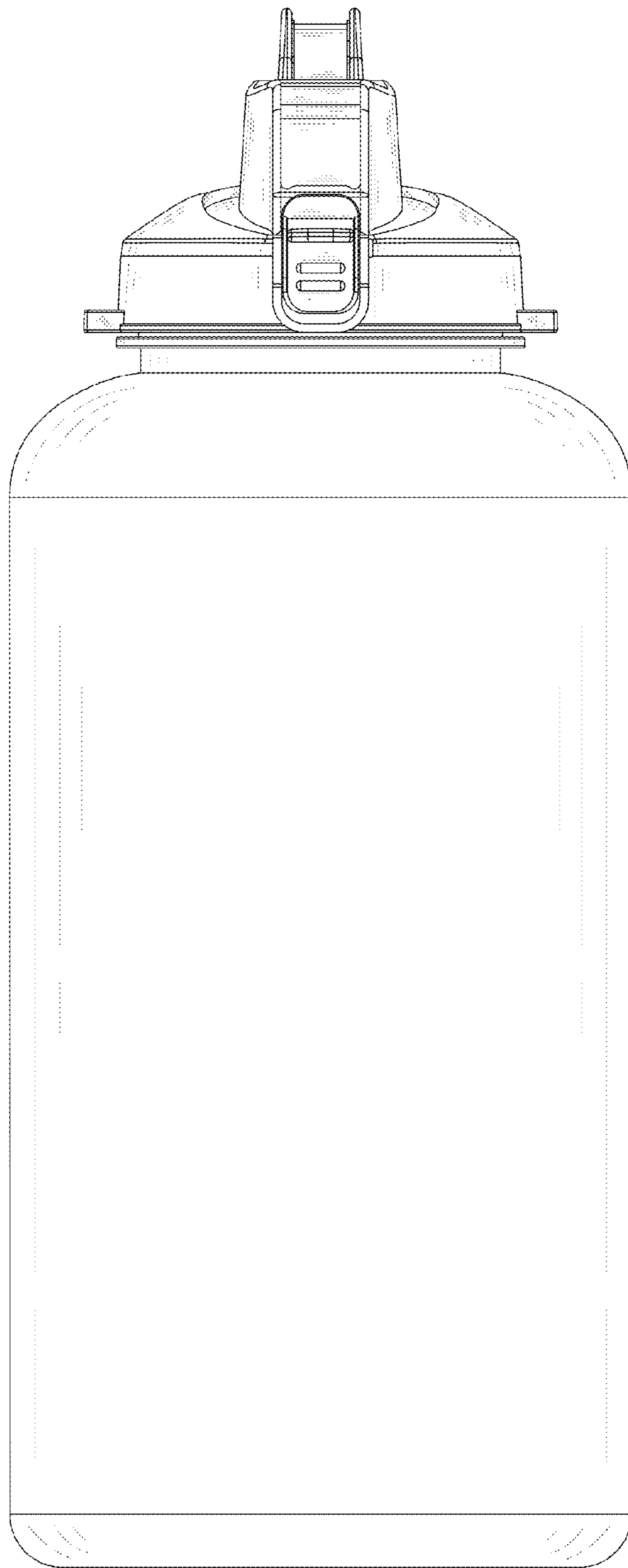


FIG.2

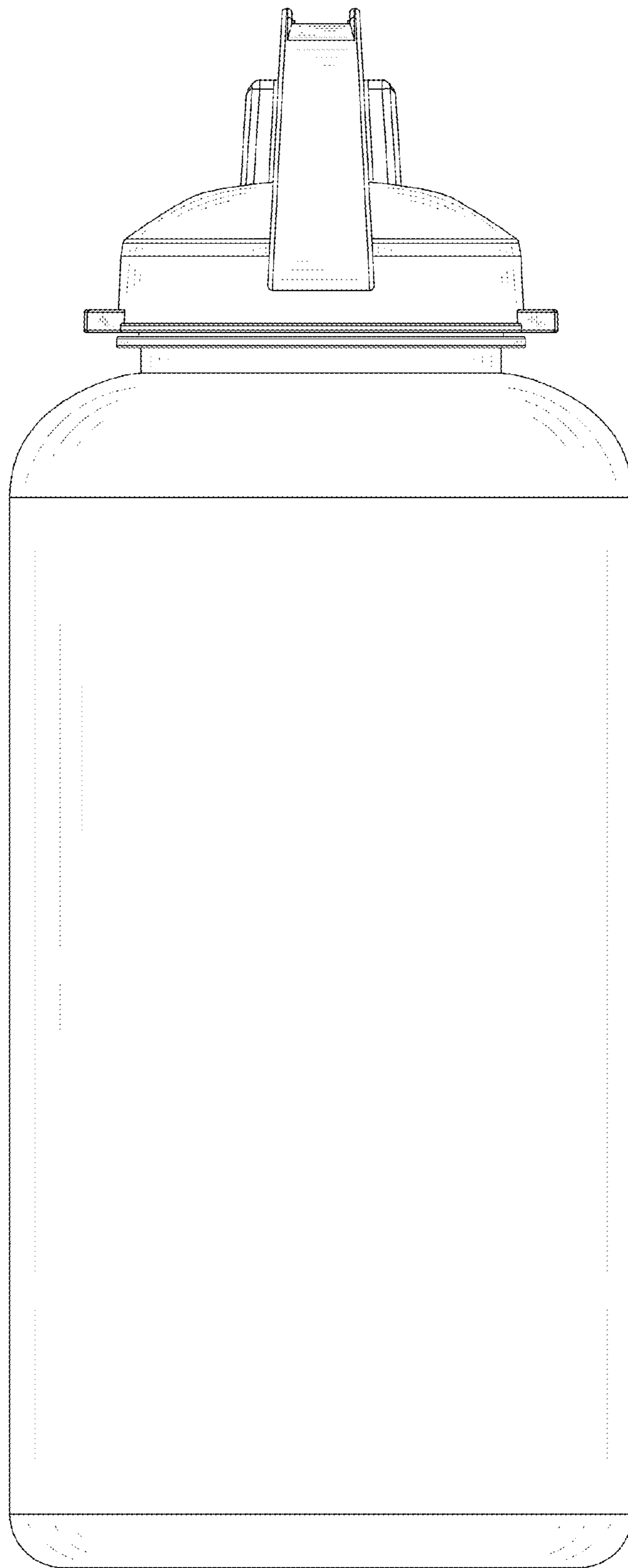


FIG. 3

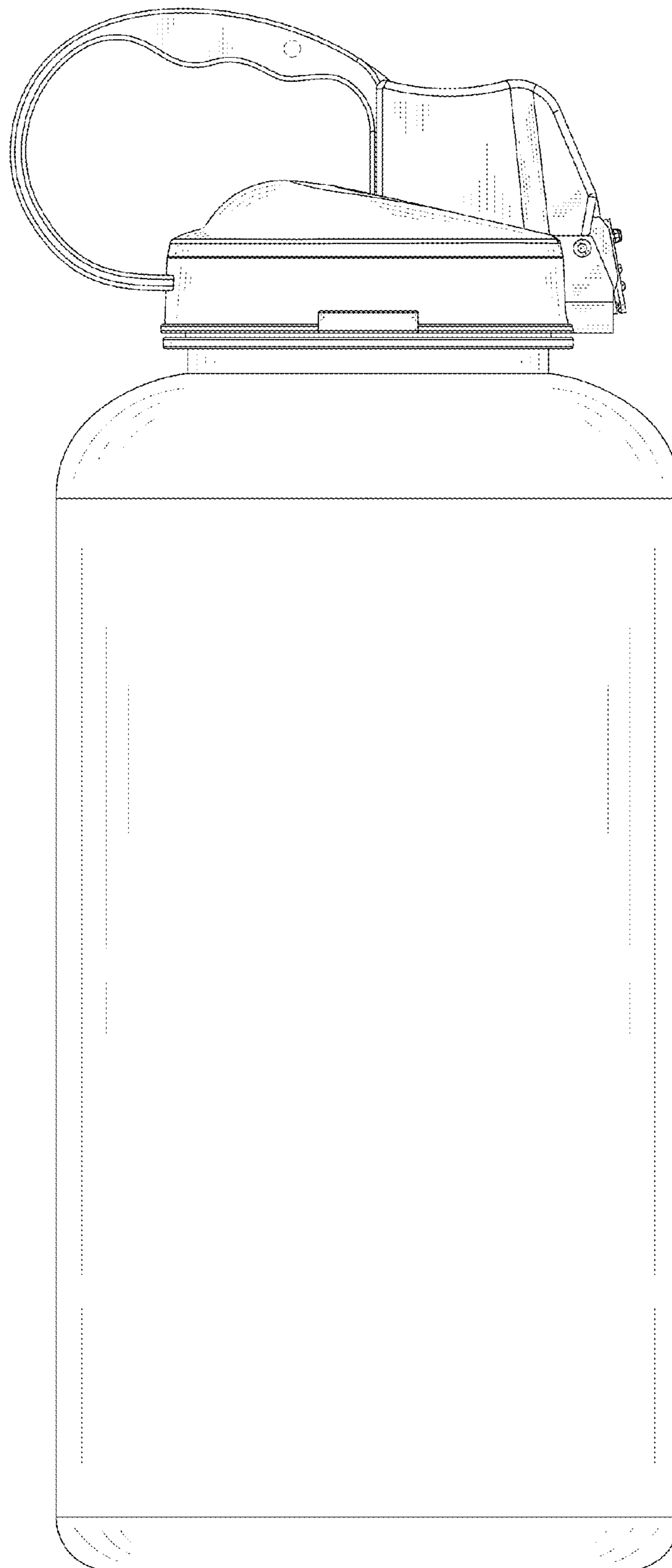


FIG. 4

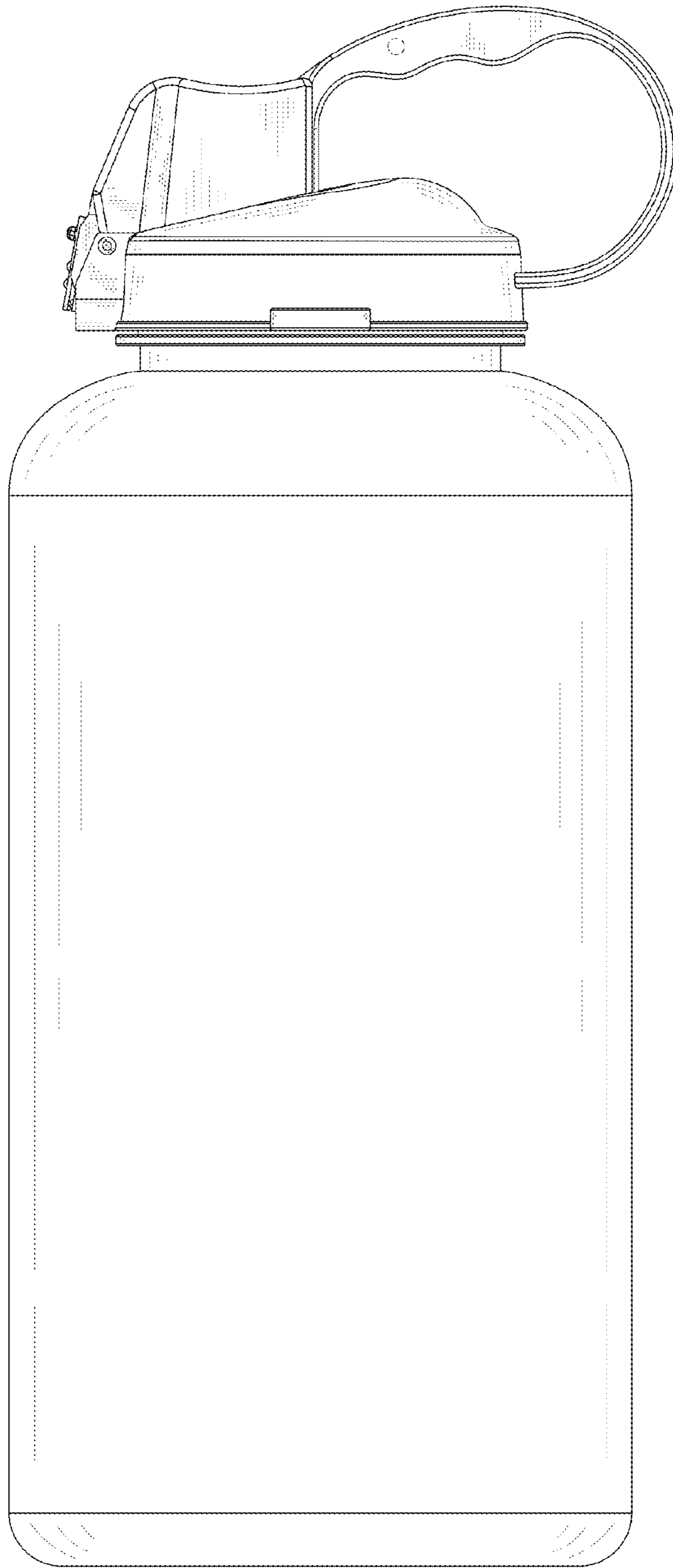


FIG.5

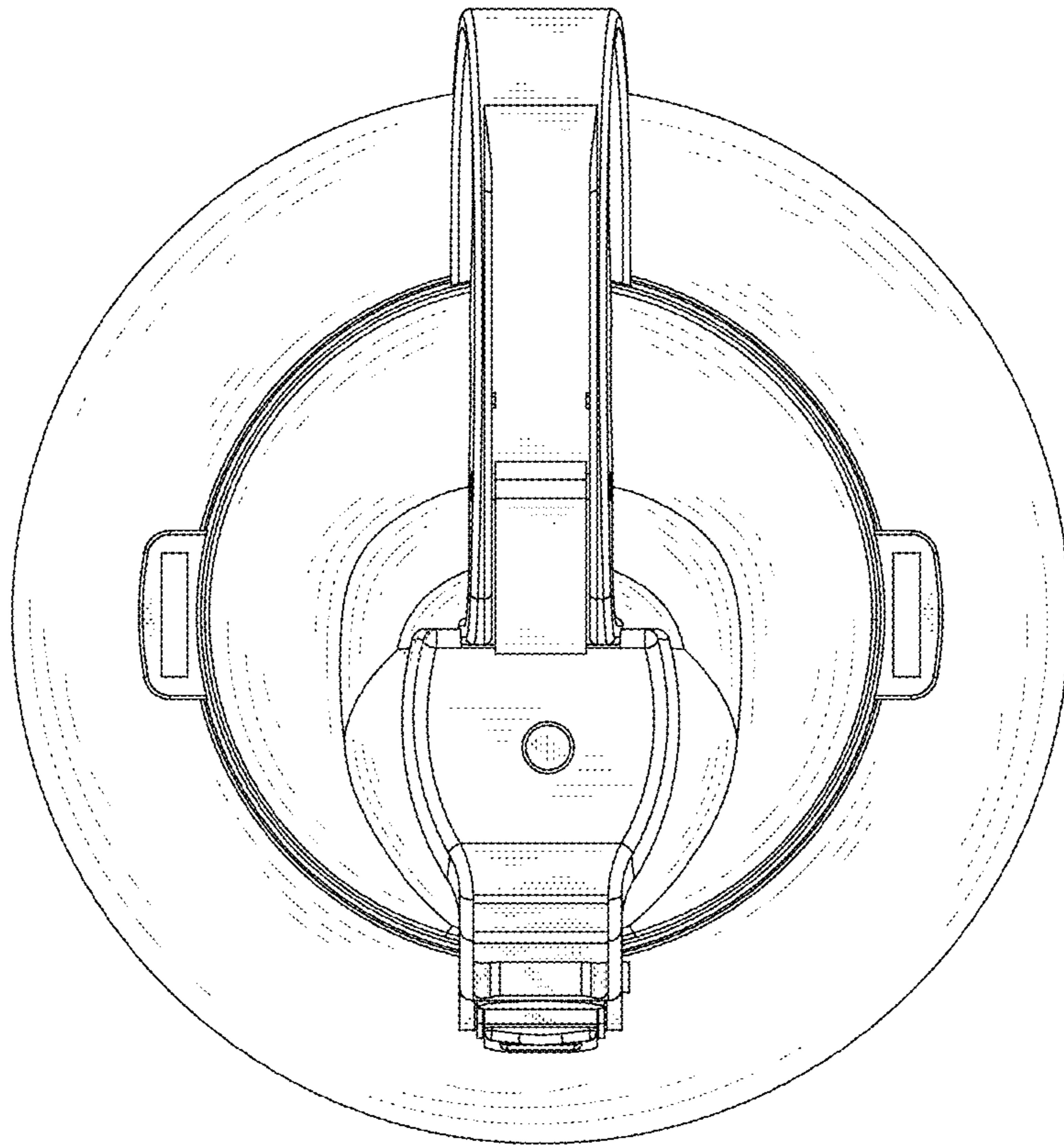


FIG.6

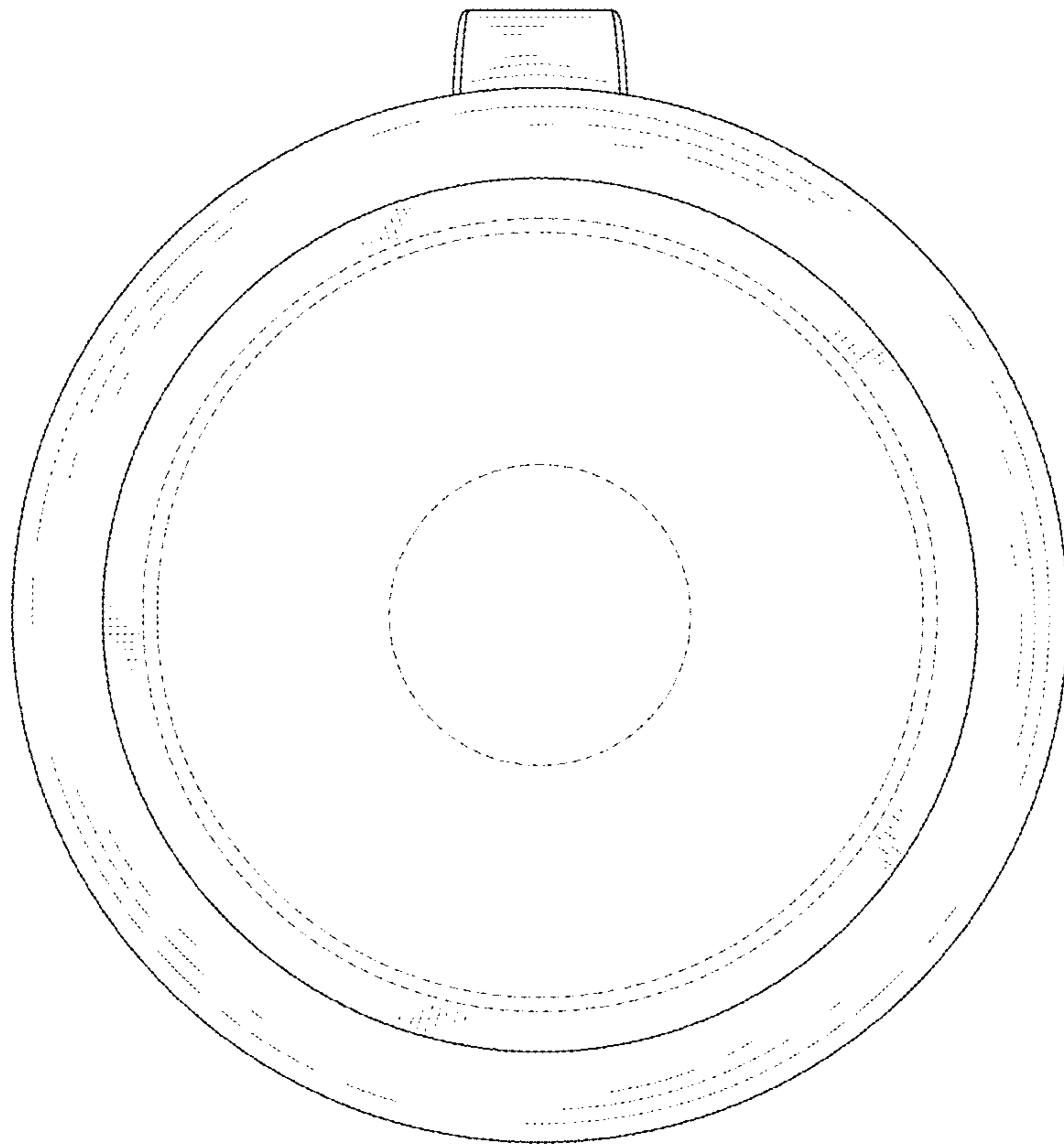


FIG. 7

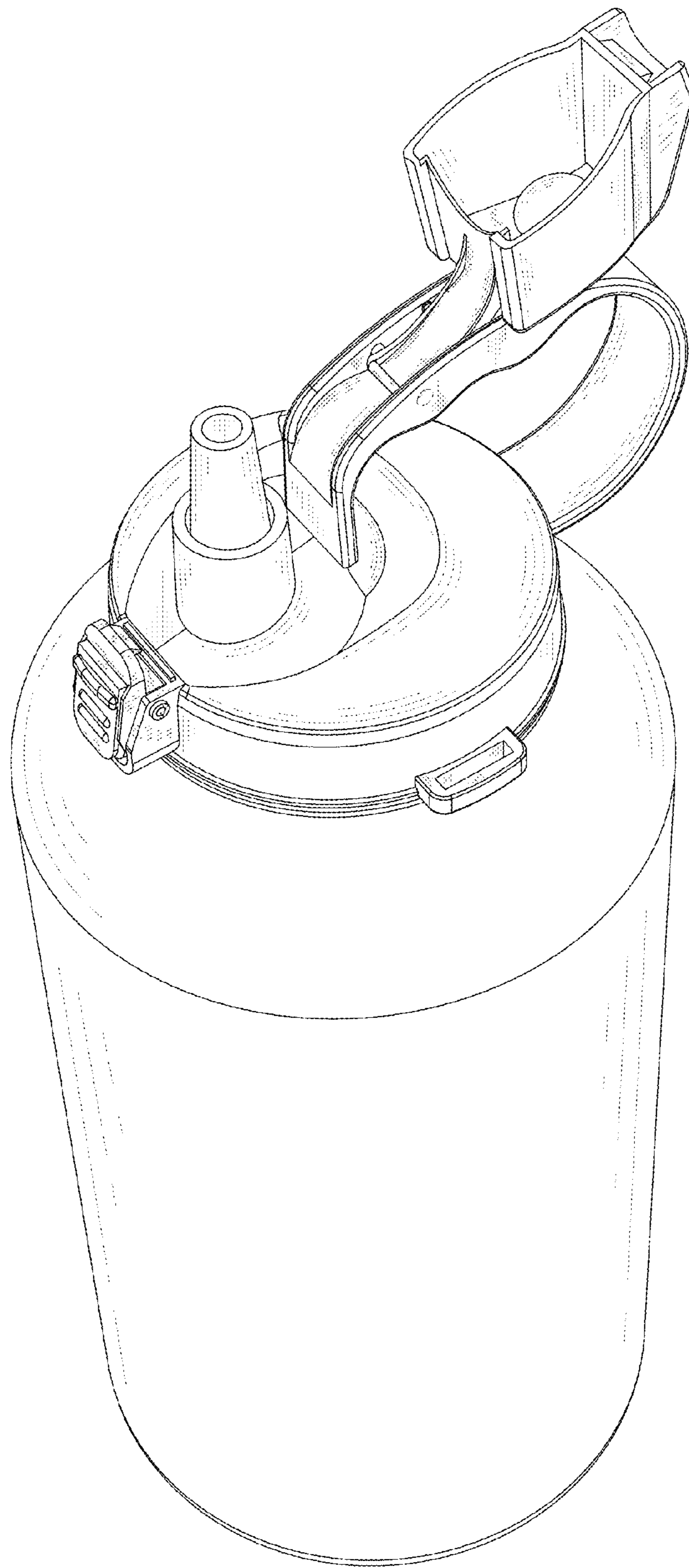


FIG. 8