



US00D885130S

(12) **United States Design Patent** (10) **Patent No.:** **US D885,130 S**
Roth et al. (45) **Date of Patent:** **** May 26, 2020**

- (54) **BOTTLE WITH SNEAKER TREAD BASE**
- (71) Applicant: **Cool Gear International, LLC**,
Plymouth, MA (US)
- (72) Inventors: **Donna Roth**, Duxbury, MA (US);
Vincent Tsai, Quincy, MA (US)
- (73) Assignee: **COOL GEAR INTERNATIONAL, LLC**,
Plymouth, MA (US)
- (**) Term: **15 Years**
- (21) Appl. No.: **29/655,622**
- (22) Filed: **Jul. 5, 2018**
- (51) **LOC (12) Cl.** **07-01**
- (52) **U.S. Cl.**
USPC **D7/510; D7/529; D7/532**
- (58) **Field of Classification Search**
USPC D7/387, 392.1, 396.2, 393, 394, 397,
D7/398, 213, 900, 507, 523, 532, 510,
D7/511, 529, 533, 536, 534, 524, 537,
D7/514, 515, 522, 412, 376, 309, 317,
D7/305, 665, 300.1, 300.2; D9/435, 436,
D9/443, 442, 444, 449, 450, 437, 447;
D24/197
CPC A47G 19/2205; A47G 19/22; A47J 43/27;
A47J 41/02; A47J 41/0077; A47J
41/0088; A47J 41/028; A47J 31/407;
A47J 31/40; A45F 3/16; B65D 85/804;
B65D 41/04
See application file for complete search history.

- D810,510 S * 2/2018 Serruya D7/511
- D814,241 S * 4/2018 Nickley D7/510
- D829,507 S * 10/2018 Breit D7/529
- 2003/0080135 A1* 5/2003 Bezek B65D 1/165
220/673
- 2012/0187160 A1* 7/2012 Wolf A45C 11/00
224/148.4
- 2016/0316896 A1* 11/2016 Breit A45F 3/16

(Continued)

Primary Examiner — Jae Liang
(74) *Attorney, Agent, or Firm* — King & Spalding LLP

(57) **CLAIM**

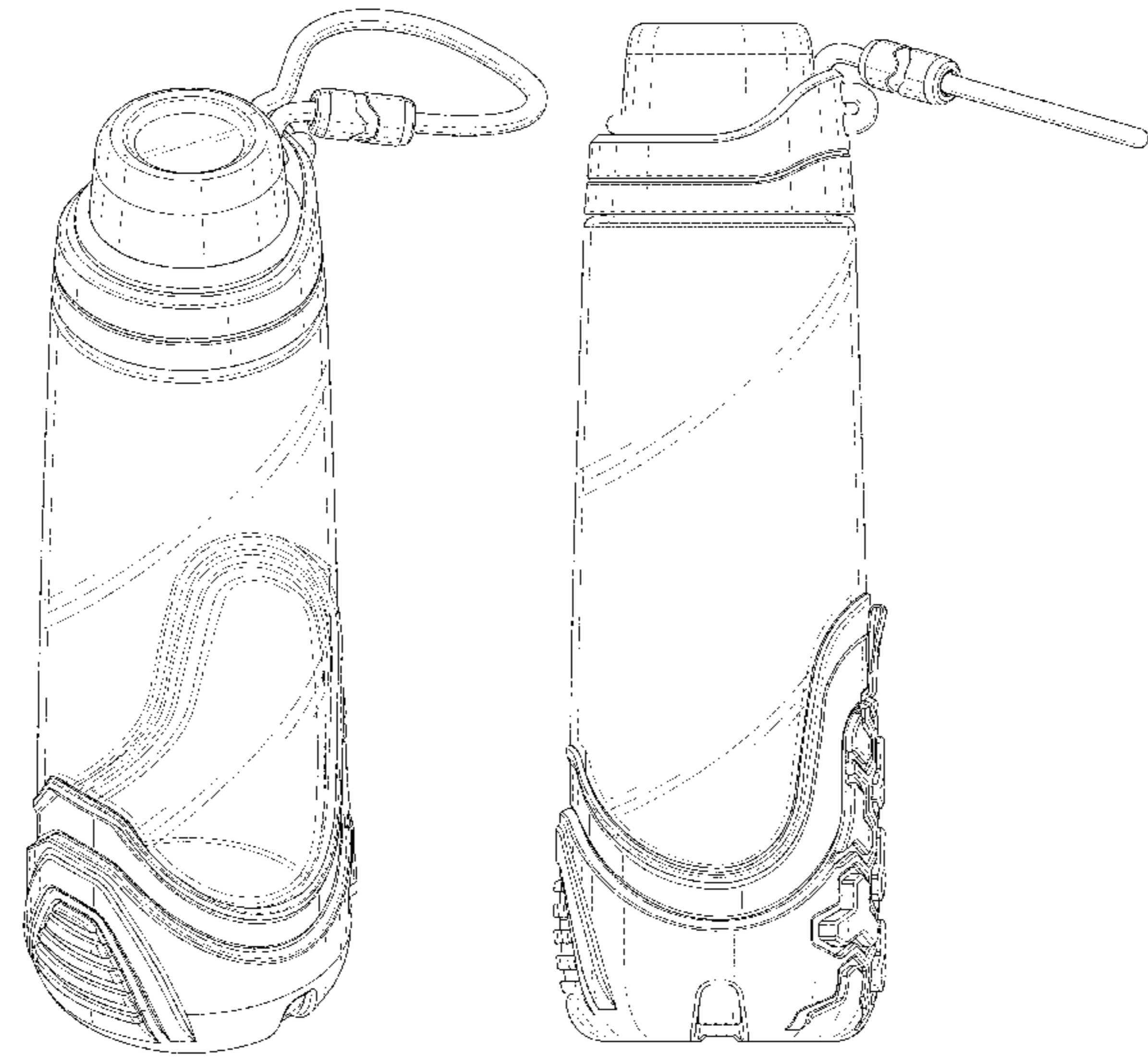
The ornamental design for a bottle with sneaker tread base, as shown.

DESCRIPTION

FIG. 1 is a front, right perspective view of a first embodiment of a bottle with sneaker tread base showing our new design;
 FIG. 2 is a front view thereof;
 FIG. 3 is a back view thereof;
 FIG. 4 is a left view thereof;
 FIG. 5 is a right view thereof;
 FIG. 6 is a top view thereof;
 FIG. 7 is a bottom view thereof;
 FIG. 8 is a back, left perspective view thereof;
 FIG. 9 is a front, right perspective view of a second embodiment of a bottle with sneaker tread base showing our new design;
 FIG. 10 is a front view thereof;
 FIG. 11 is a back view thereof;
 FIG. 12 is a left view thereof;
 FIG. 13 is a right view thereof;
 FIG. 14 is a top view thereof;
 FIG. 15 is a bottom view thereof; and,
 FIG. 16 is a back, left perspective view thereof.
 The broken lines in the drawings depict portions of the bottle with sneaker tread base that form no part of the claimed design.

1 Claim, 16 Drawing Sheets

- (56) **References Cited**
U.S. PATENT DOCUMENTS
D760,541 S * 7/2016 Kane D7/510
D779,882 S * 2/2017 Plott D7/510
D786,620 S * 5/2017 Nickley D7/511
D799,271 S * 10/2017 Pogue D7/510
D805,355 S * 12/2017 Steel D7/529
D808,714 S * 1/2018 Boroski D7/396.4



(56)

References Cited

U.S. PATENT DOCUMENTS

2017/0127859 A1* 5/2017 Hornung A45F 3/18
2018/0279815 A1* 10/2018 Hakim A47G 19/2272

* cited by examiner

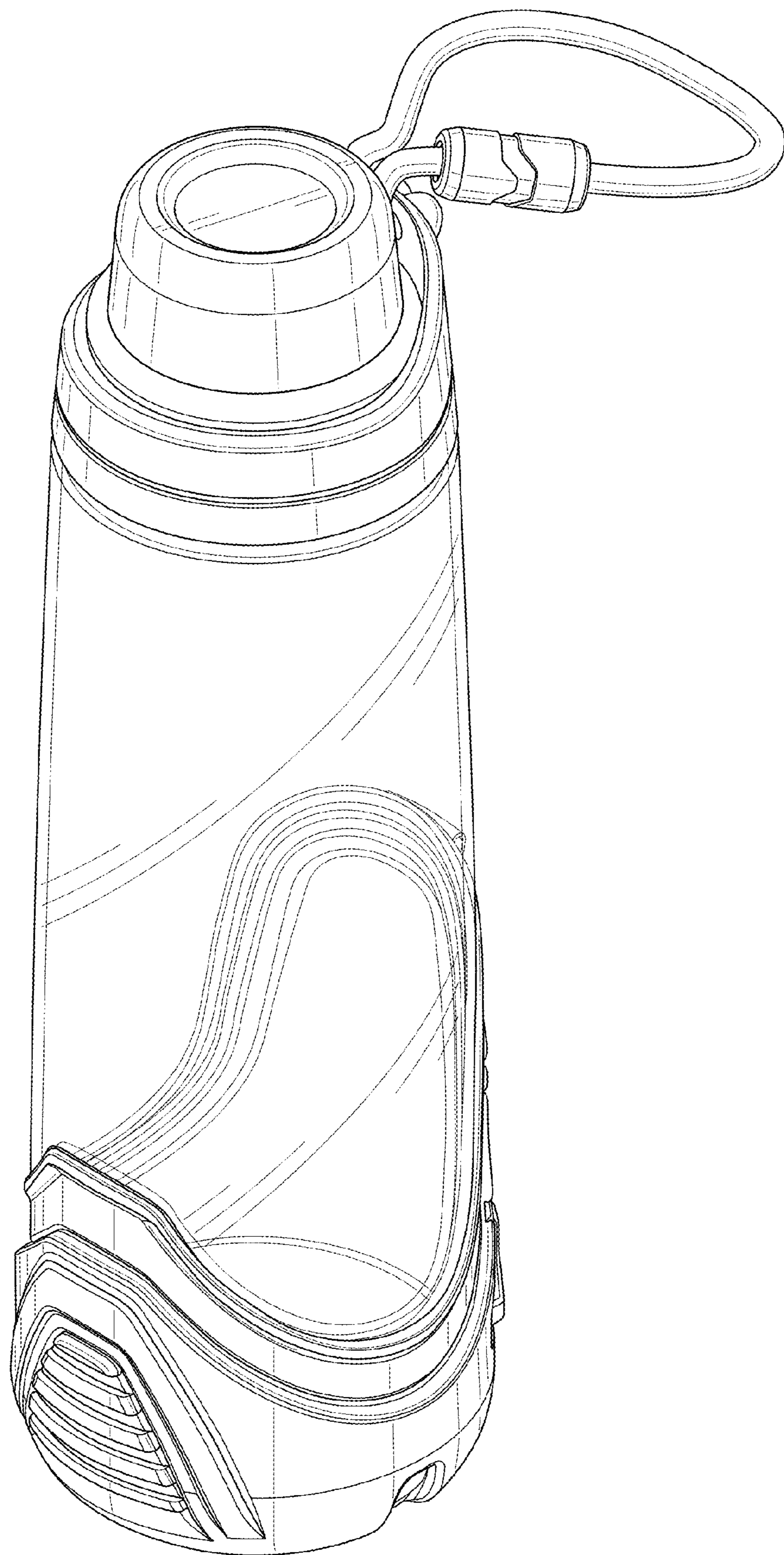


FIG. 1

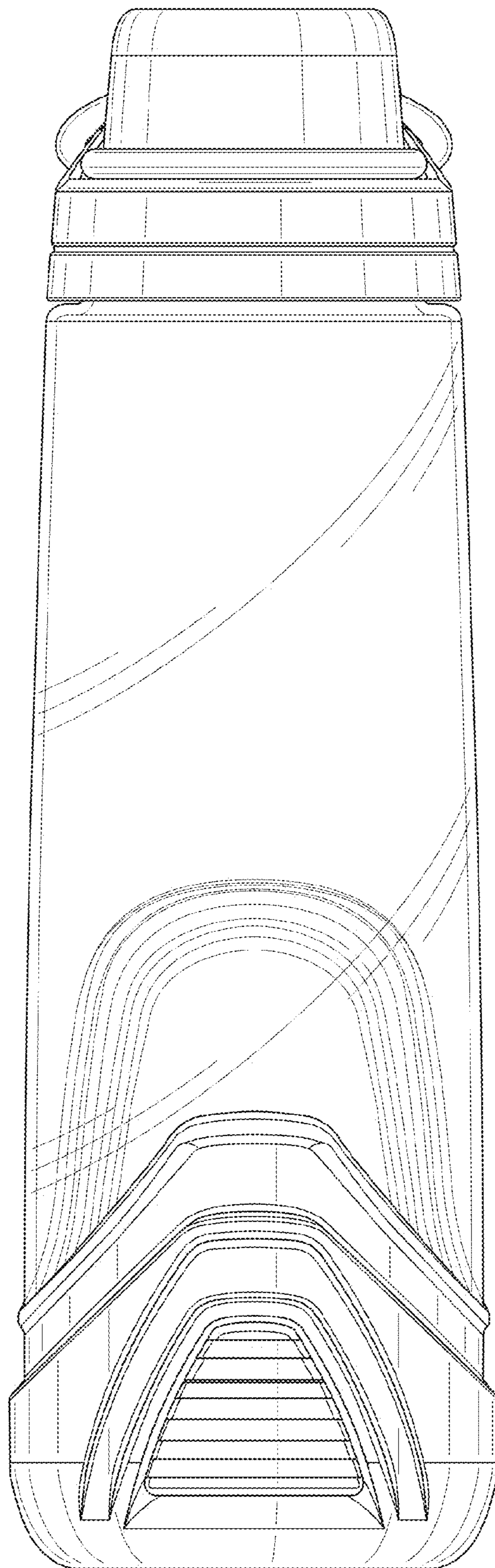


FIG. 2

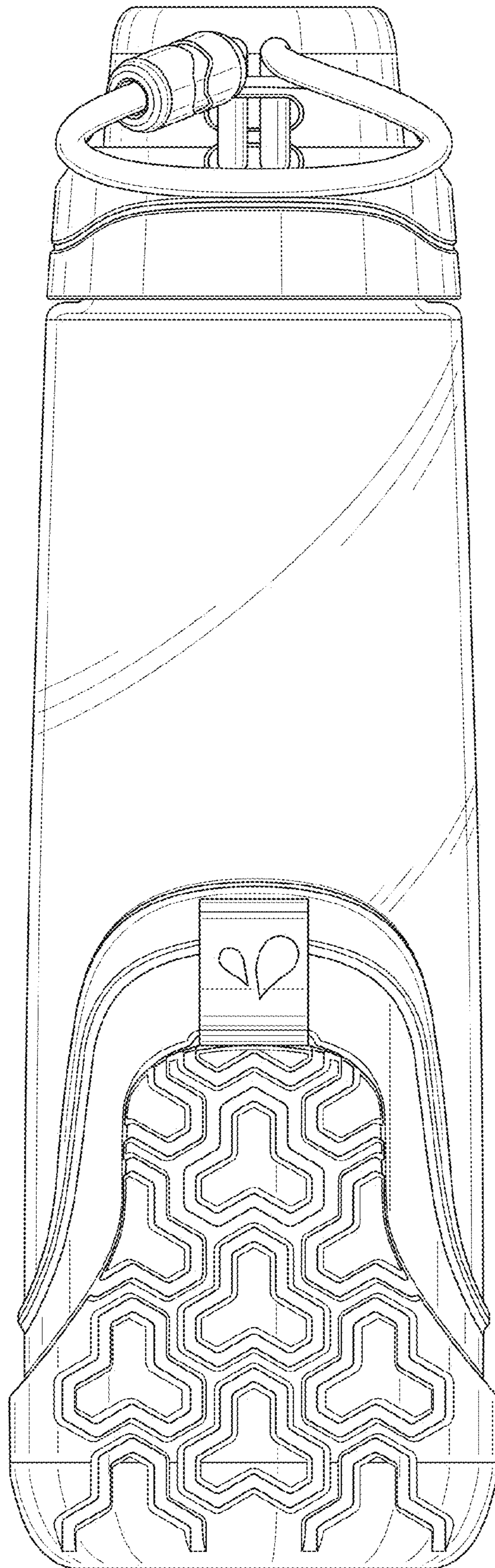


FIG. 3

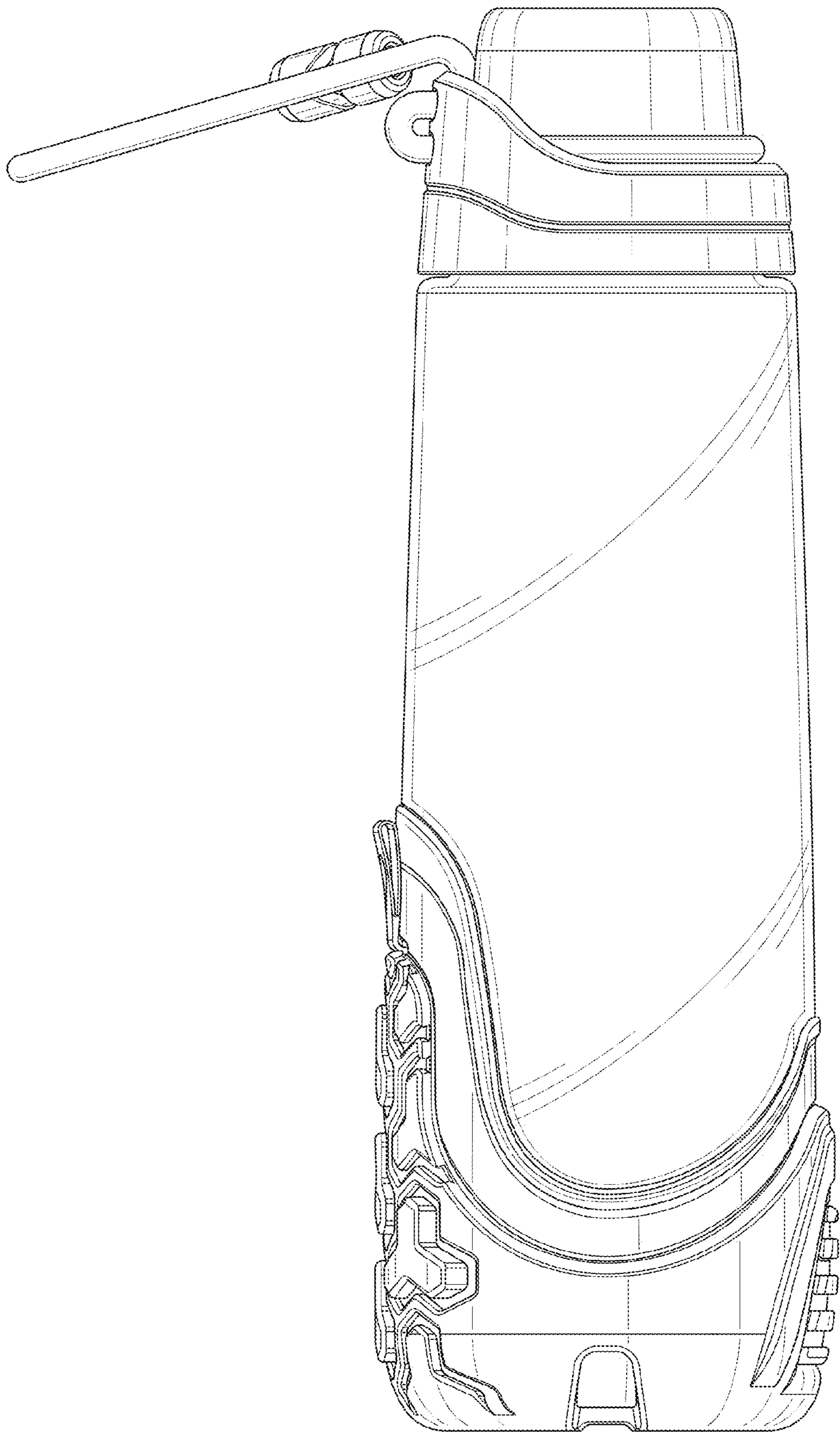


FIG. 4

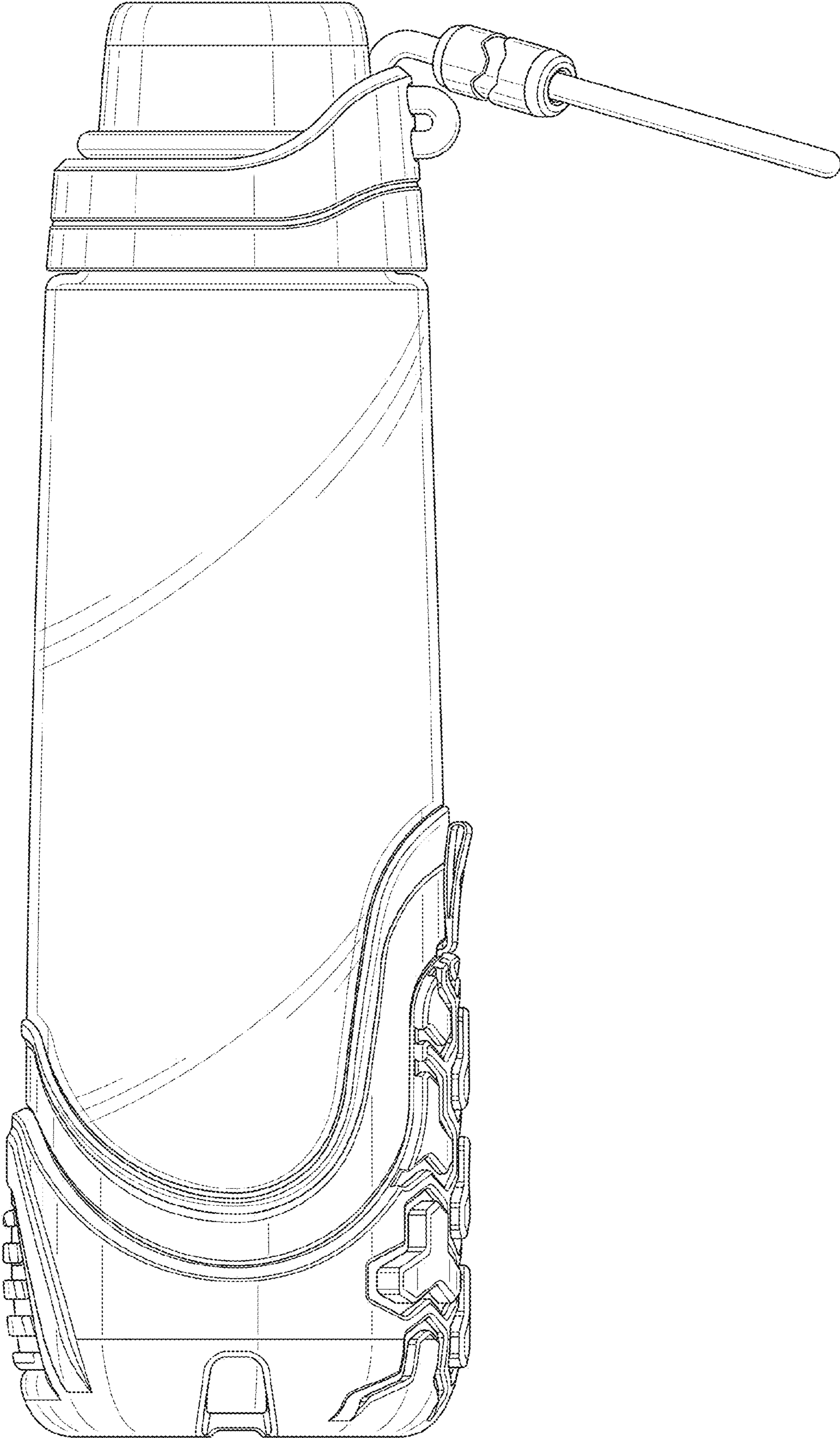


FIG. 5

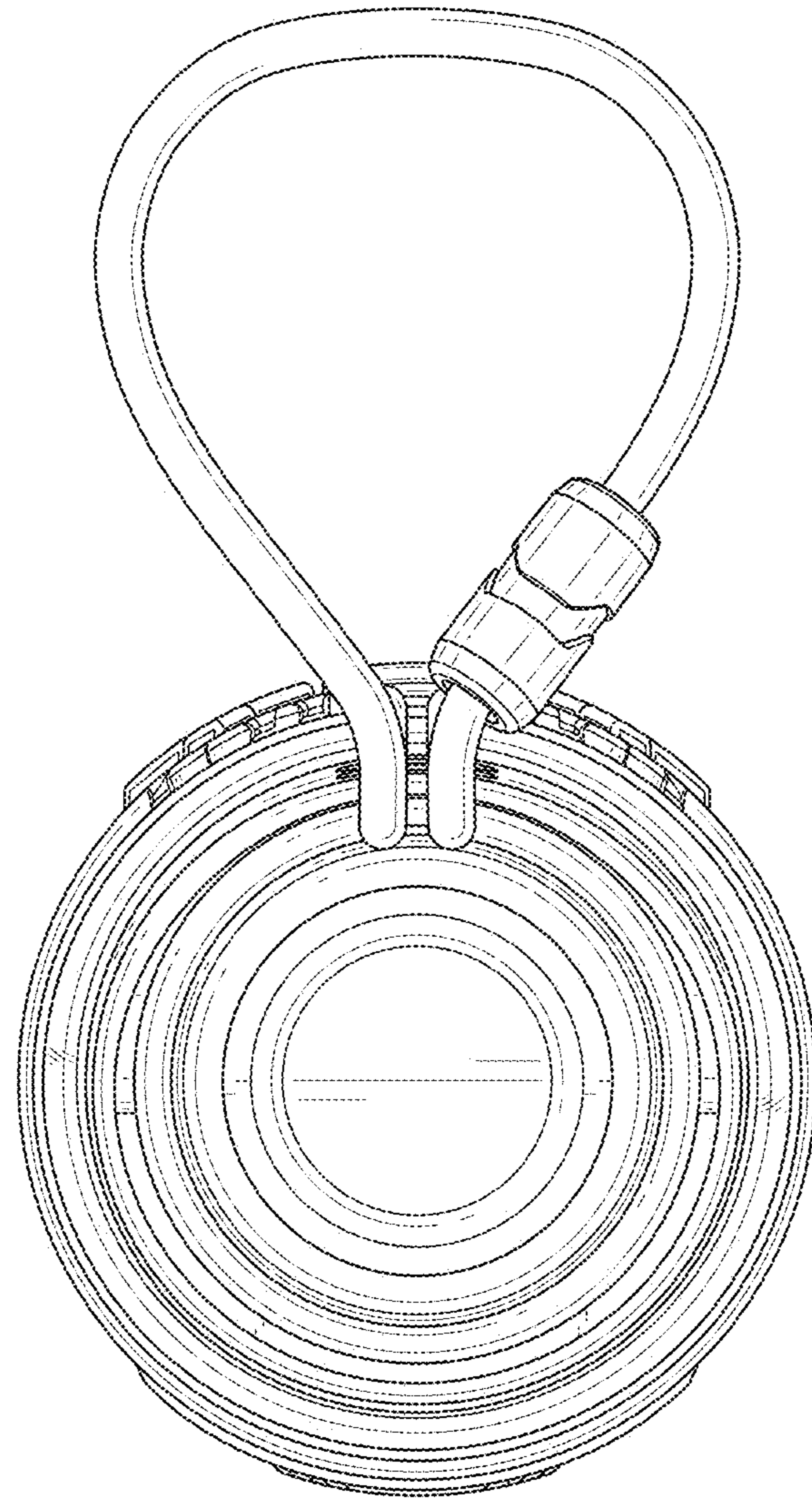


FIG. 6

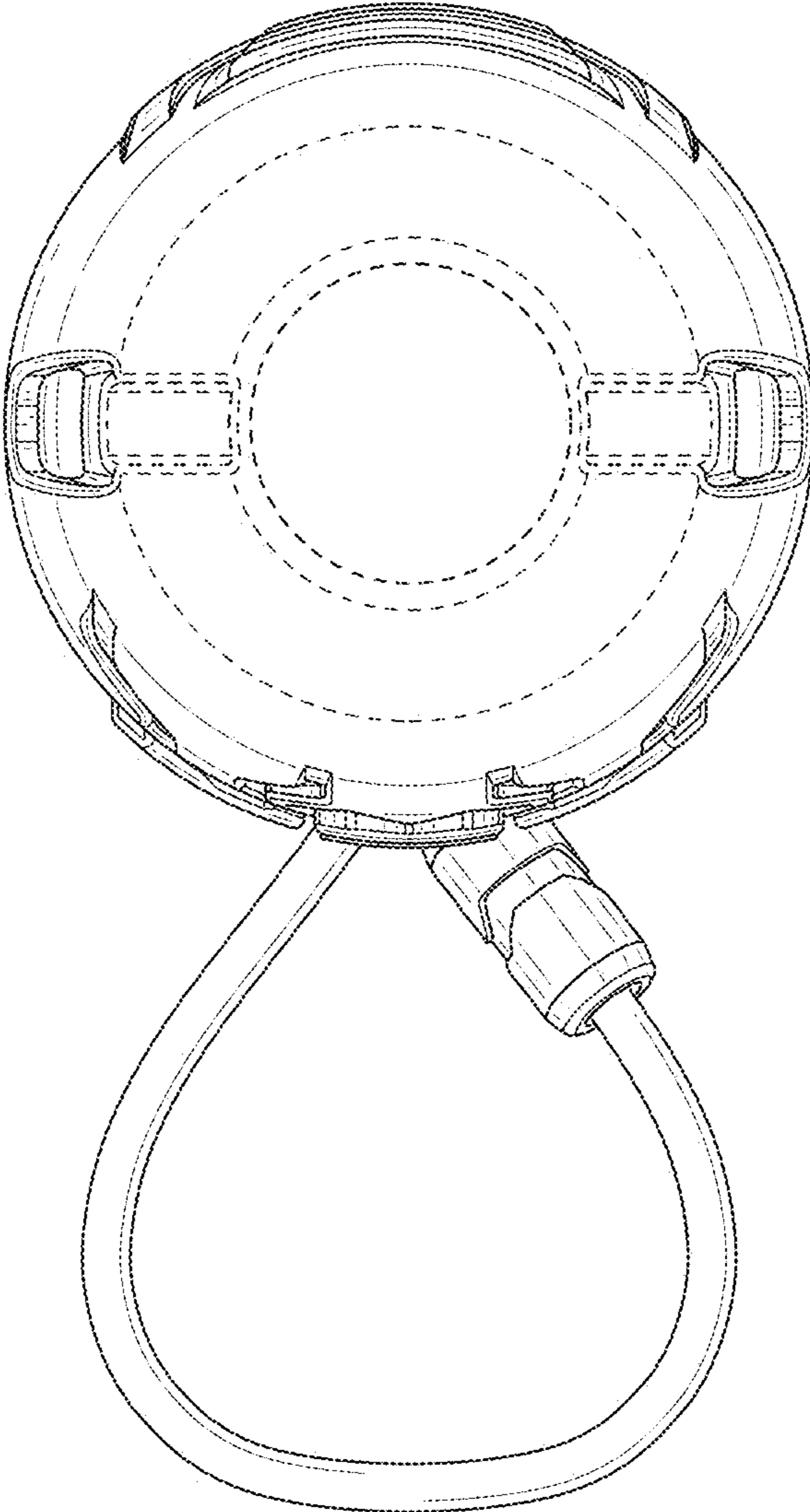


FIG. 7

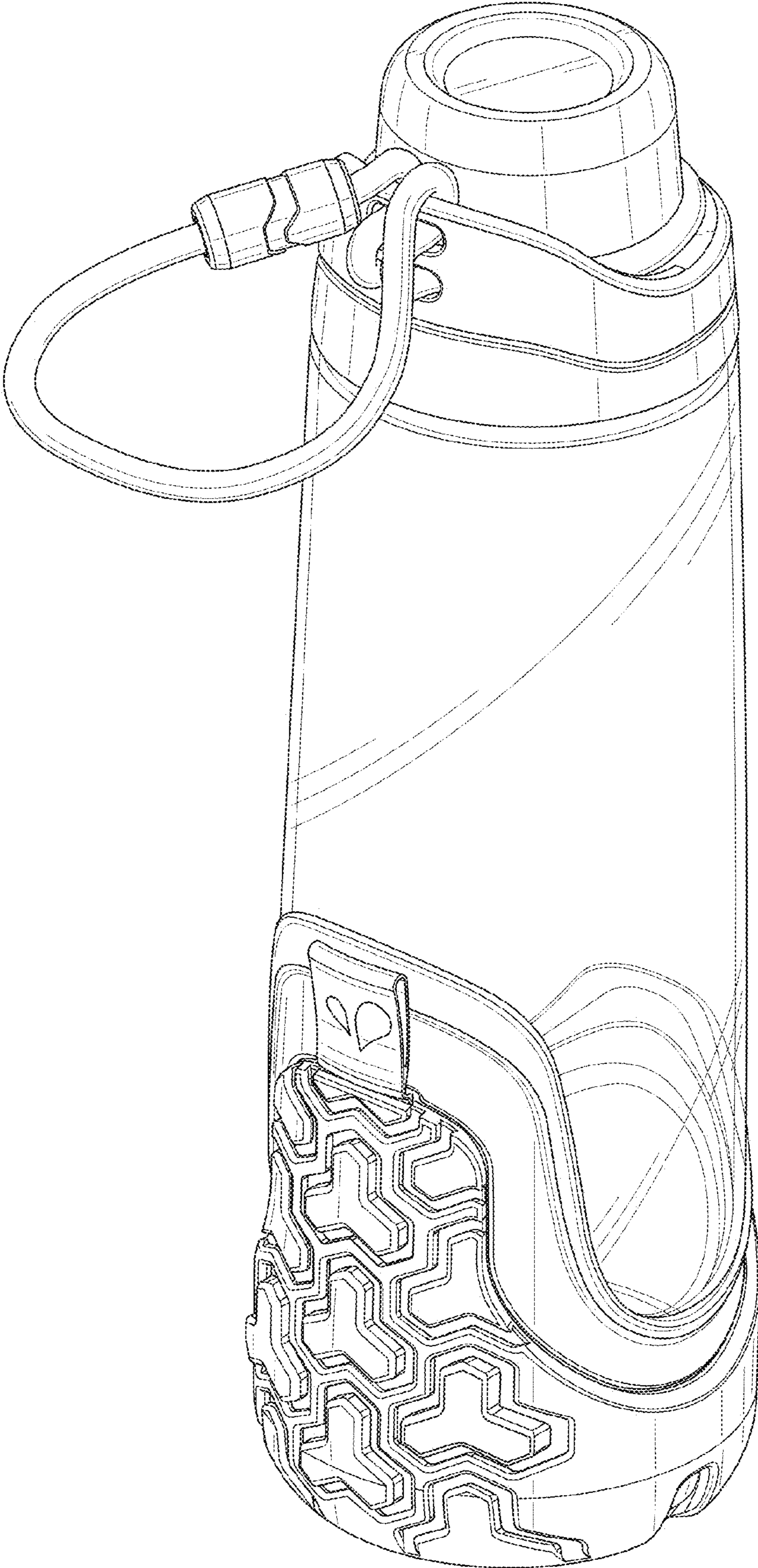


FIG. 8

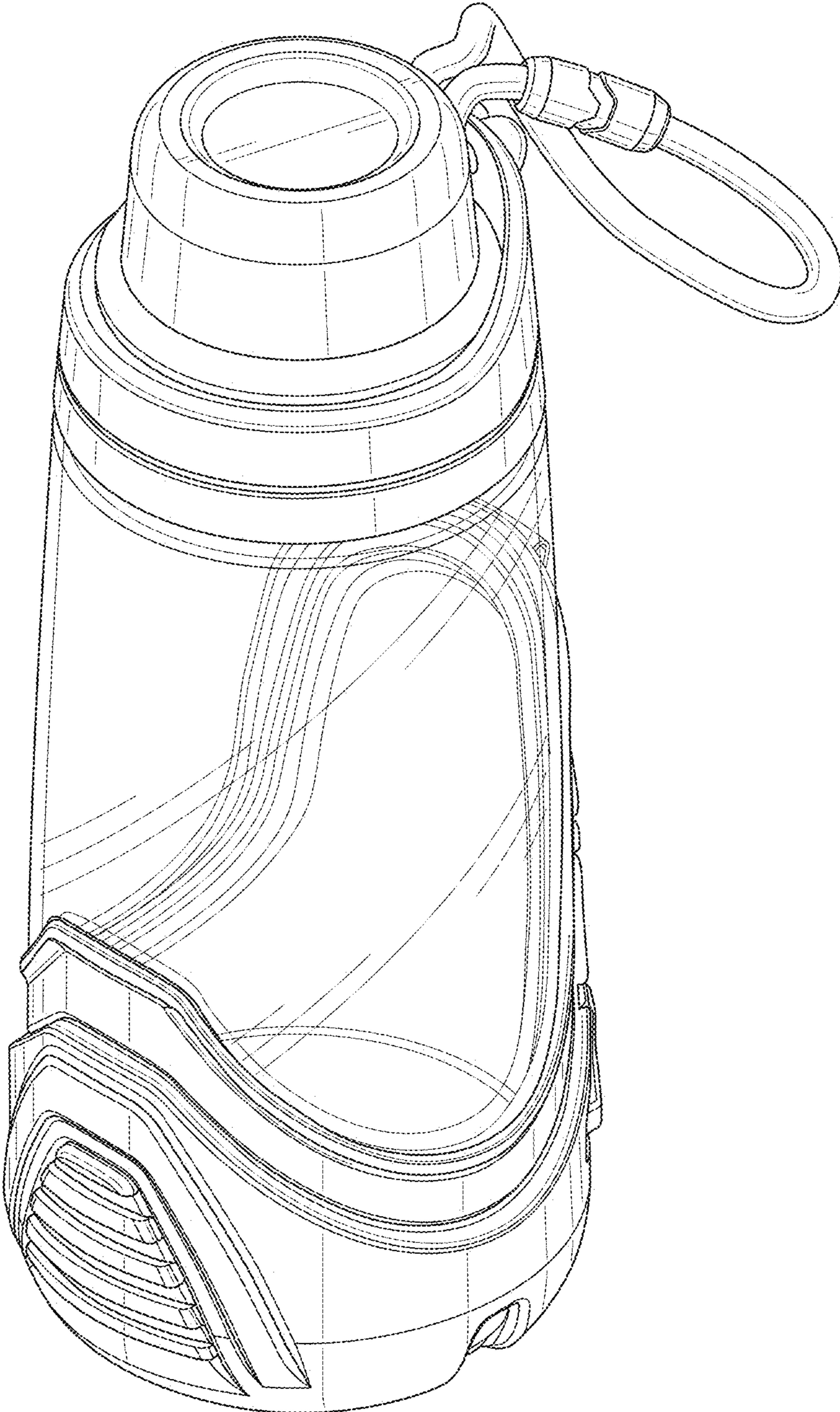


FIG. 9

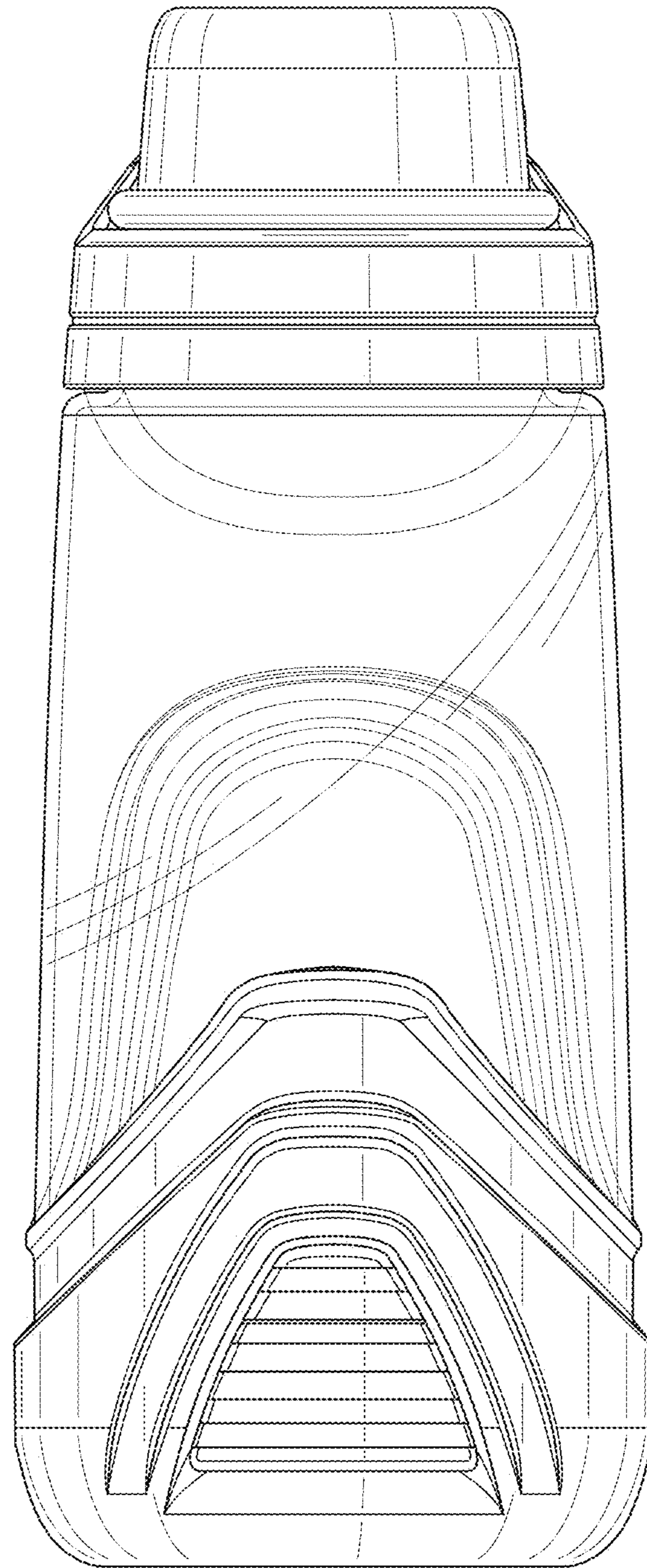


FIG. 10

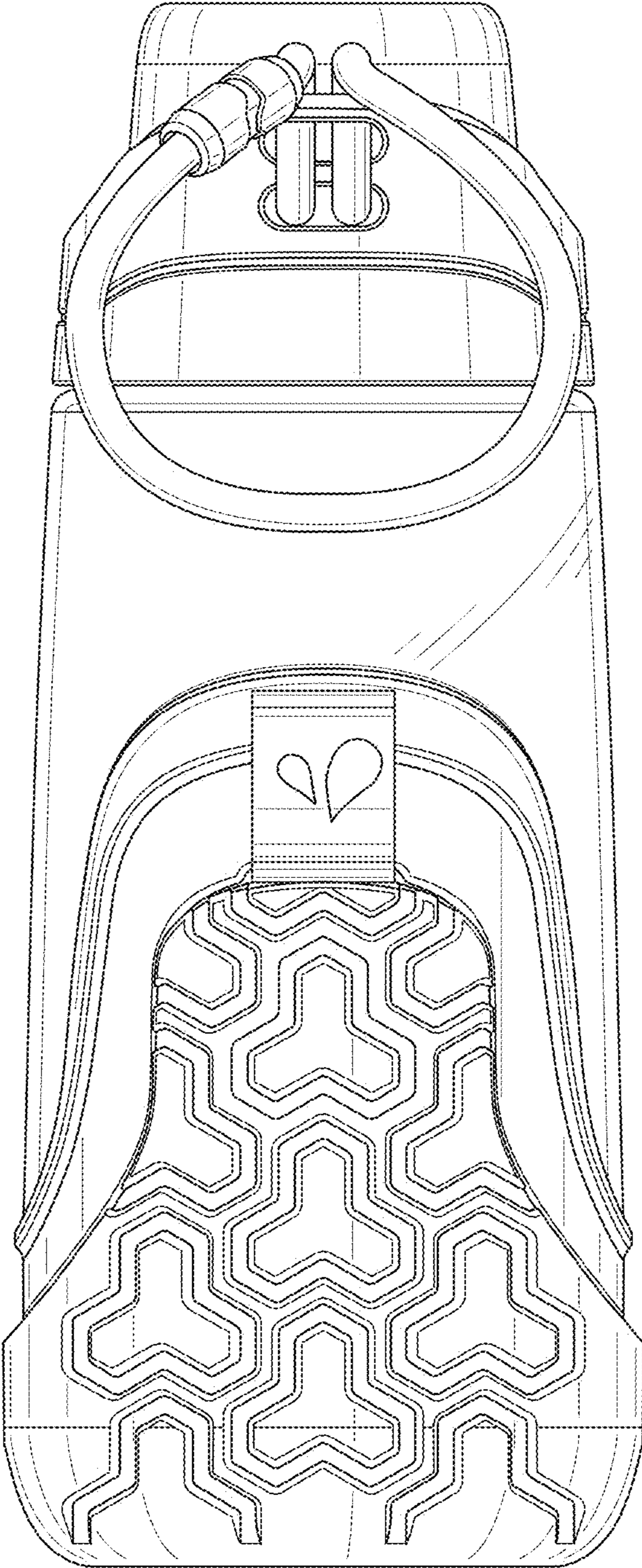


FIG. 11

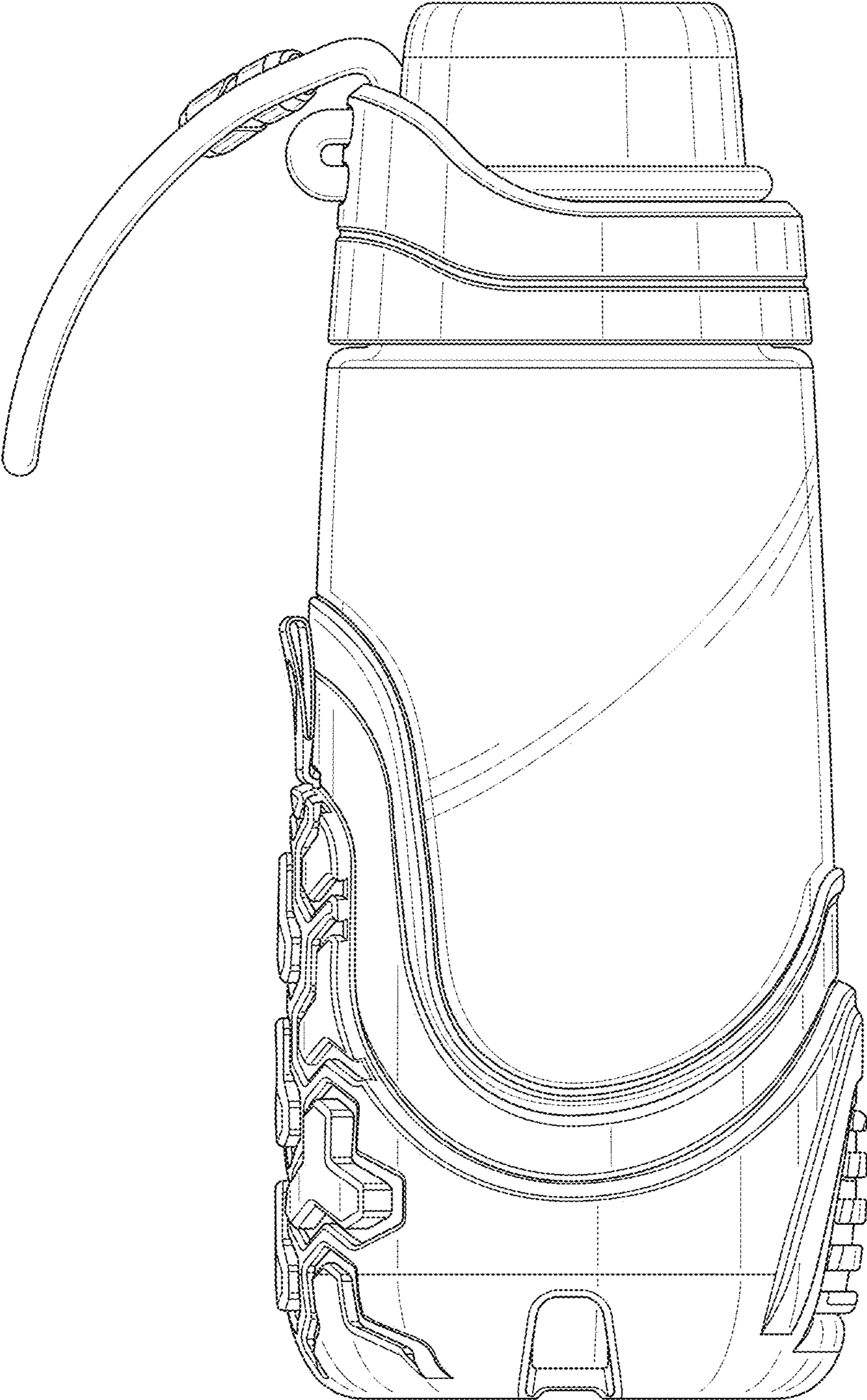


FIG. 12

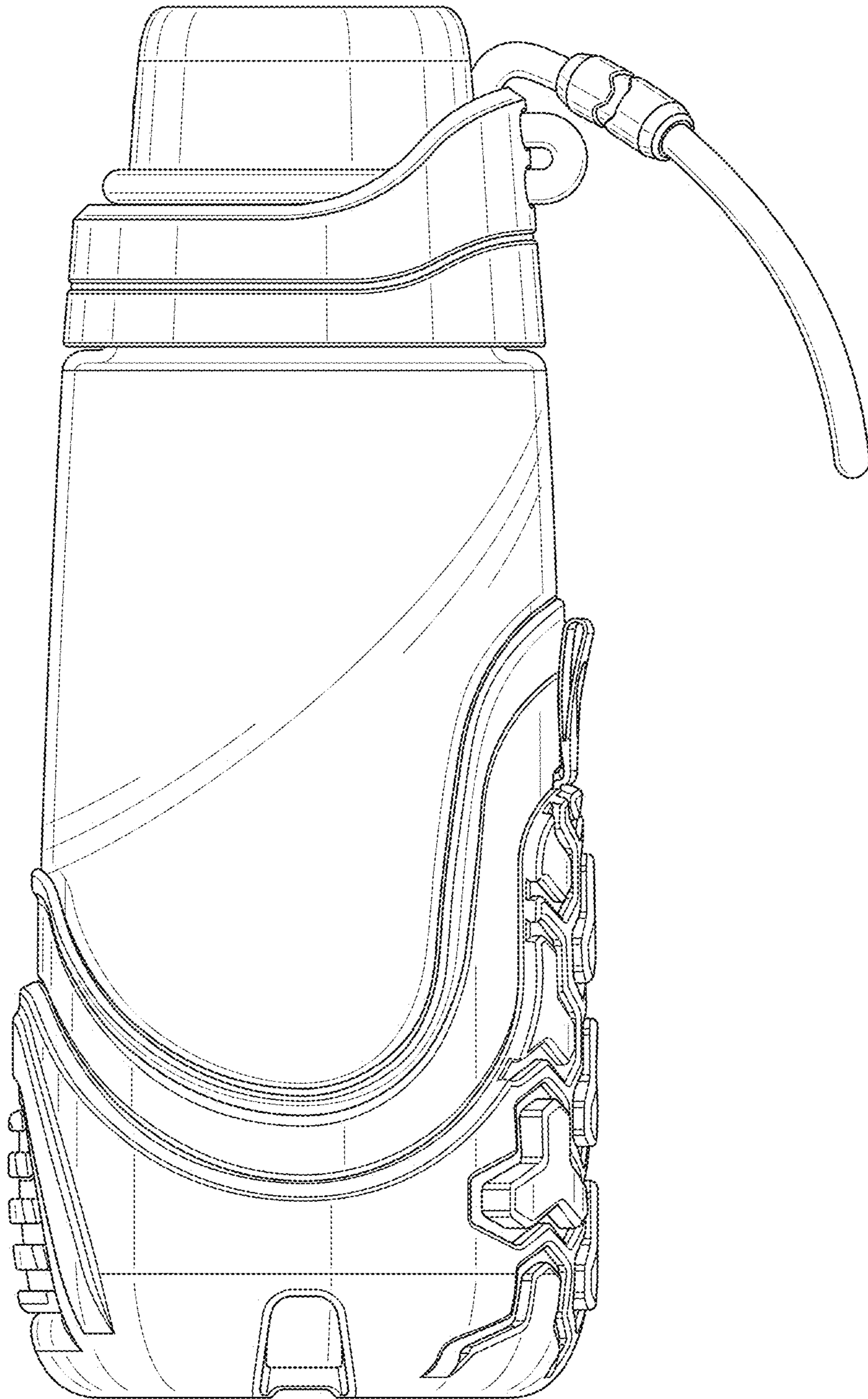


FIG. 13

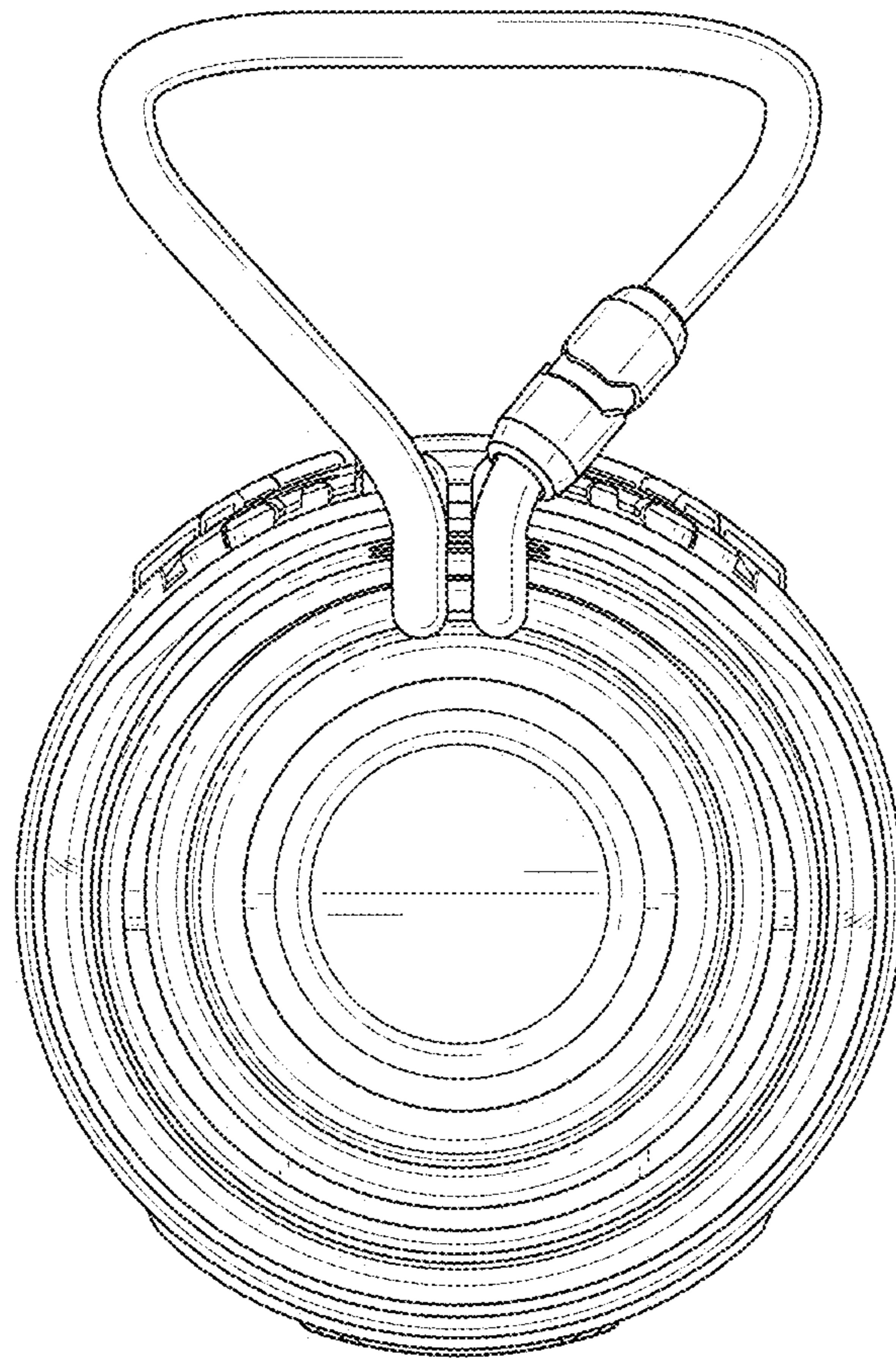


FIG. 14

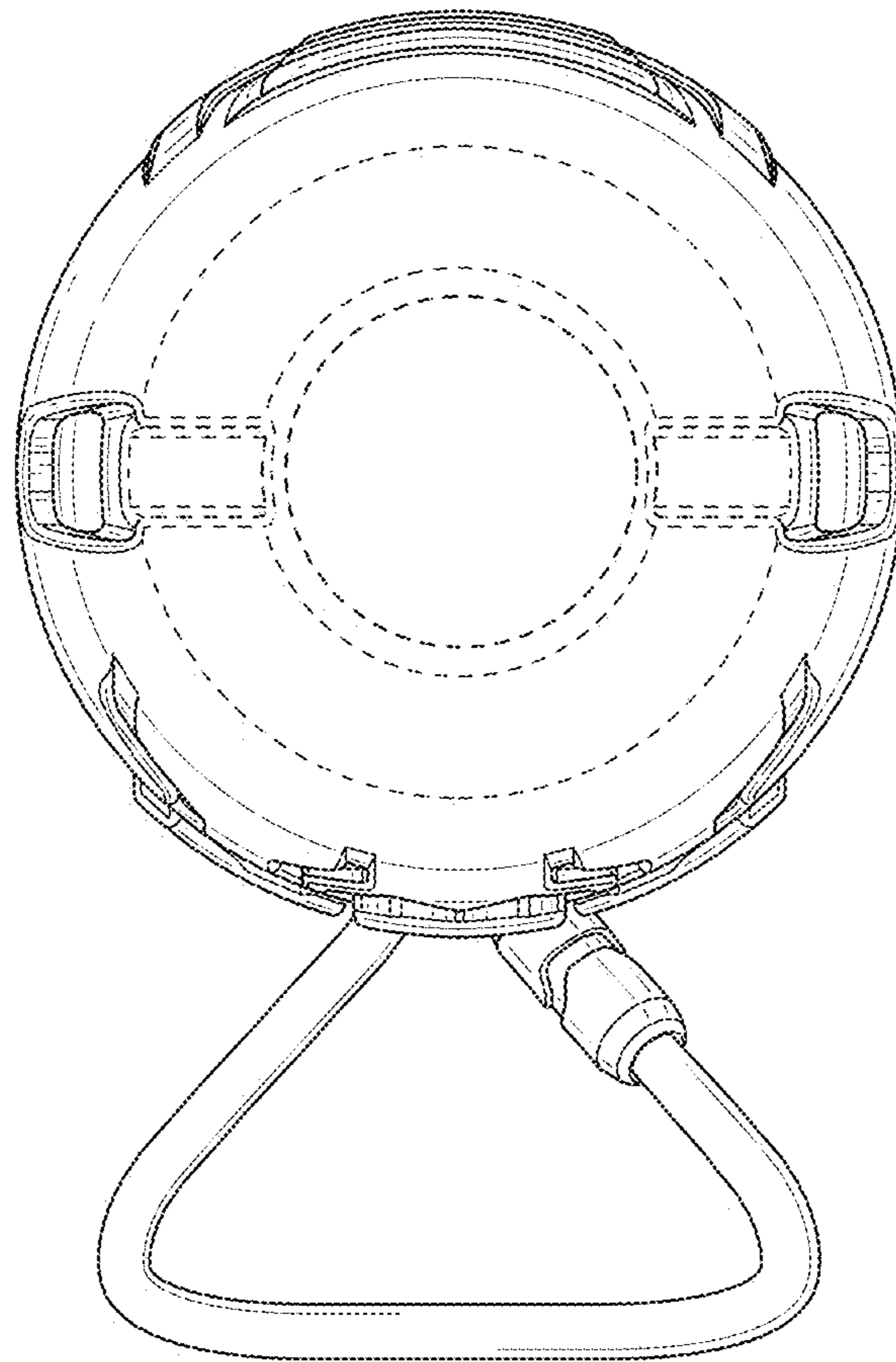


FIG. 15

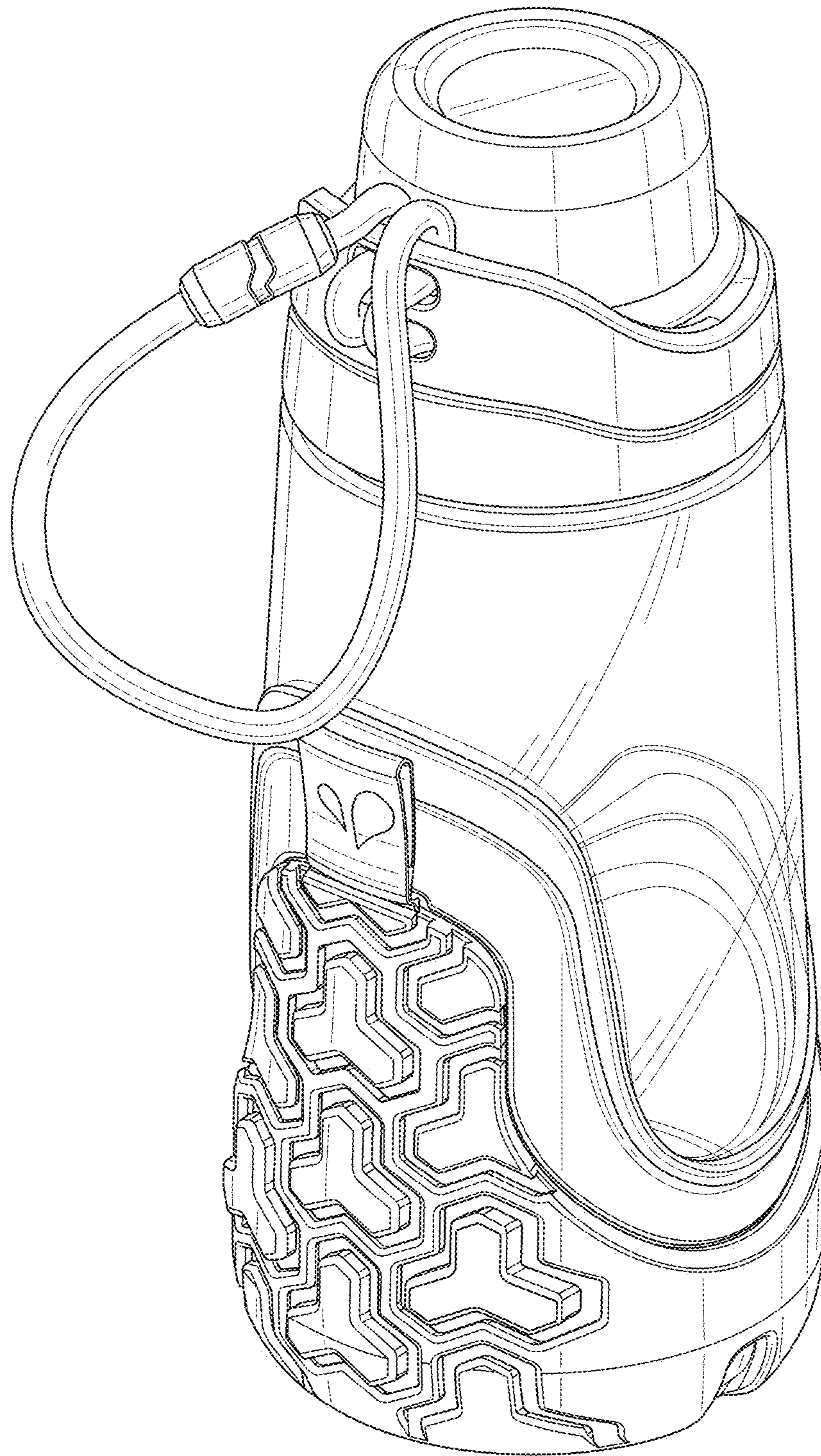


FIG. 16