



US00D885129S

(12) **United States Design Patent** (10) **Patent No.:** **US D885,129 S**  
**Rosette et al.** (45) **Date of Patent:** **\*\* May 26, 2020**

(54) **BOTTLE**  
(71) Applicant: **Disney Enterprises, Inc.**, Burbank, CA (US)

D537,727 S \* 3/2007 Hutton ..... D9/560  
D539,651 S \* 4/2007 Snyder ..... D9/449  
D548,607 S \* 8/2007 Langbein ..... D9/454  
(Continued)

(72) Inventors: **Kaitlyn M. Rosette**, Los Angeles, CA (US); **Daria Vinogradova**, Lake Balboa, CA (US)

OTHER PUBLICATIONS

<http://www.paddypallin.com.au/nalgene-wide-mouth-hdpe-square-bottles.html> Nalgene Wide Mouth HDPE Square Bottles Apr. 13, 2015.\*

(73) Assignee: **Disney Enterprises, Inc.**, Burbank, CA (US)

(Continued)

(\*\*) Term: **15 Years**

*Primary Examiner* — Jae Liang

(21) Appl. No.: **29/610,537**

(74) *Attorney, Agent, or Firm* — Patterson + Sheridan, LLP

(22) Filed: **Jul. 13, 2017**

(57) **CLAIM**

(51) **LOC (12) Cl.** ..... **07-01**

The ornamental design for a bottle, as shown and described.

(52) **U.S. Cl.**

**DESCRIPTION**

USPC ..... **D7/510**; D7/511; D7/532

(58) **Field of Classification Search**

USPC ..... D7/507, 509, 510, 511, 512, 523, 531, D7/532, 533, 535, 536, 608, 392.1, 396.2, D7/529, 667, 319, 320, 300, 300.1; D9/435, 436, 449, 442, 443, 500, 502, D9/503, 504, 529, 447, 516, 453, 531, D9/567, 539, 560, 544, 572, 573; 220/592.16, 592.17, 62.12, 703; D26/7  
CPC ..... A45F 3/16; B65D 47/066; A47J 43/27; A47G 19/2272; A47G 19/2211; A47G 19/22; A47G 19/2222

See application file for complete search history.

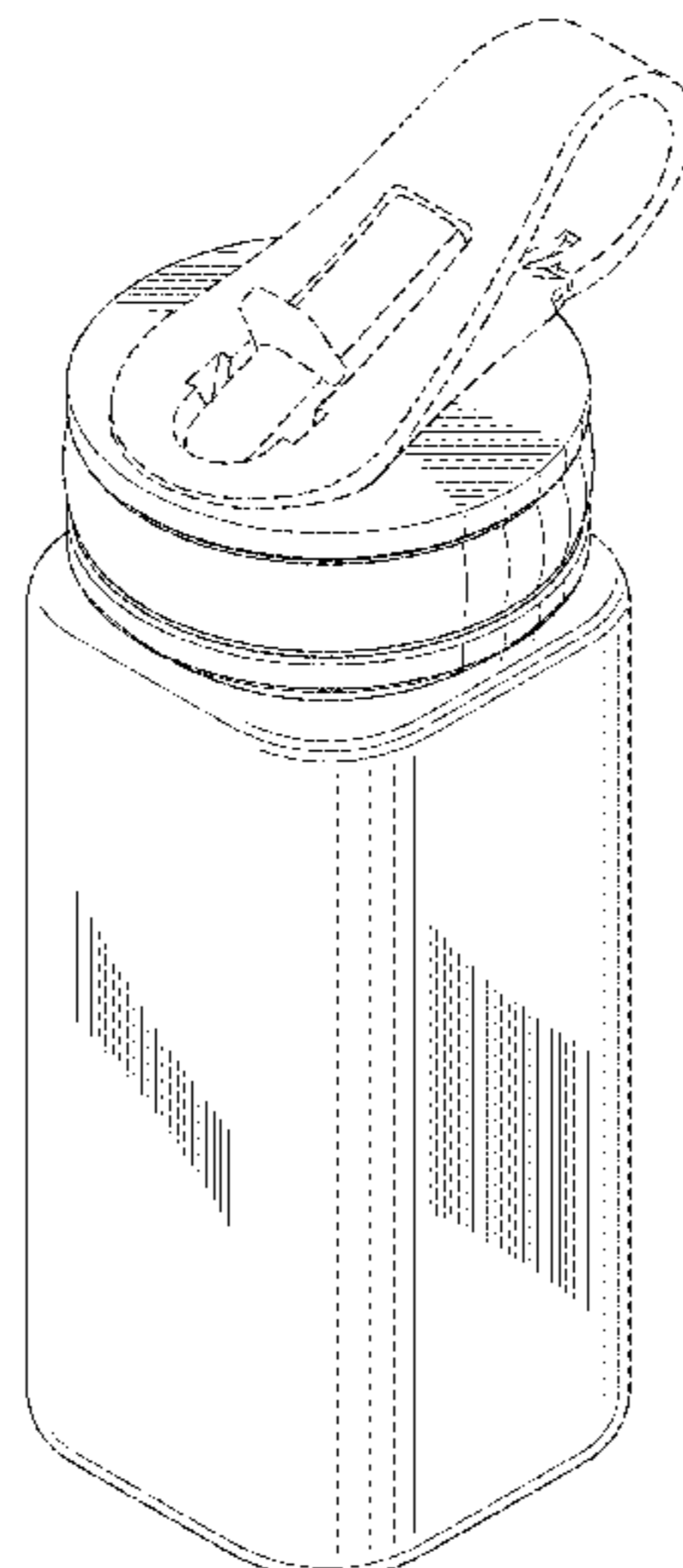
FIG. 1 is a top front perspective view of a bottle showing our new design;  
FIG. 2 is a bottom rear perspective view thereof;  
FIG. 3 is a front elevational view thereof;  
FIG. 4 is a left side elevational view thereof;  
FIG. 5 is a rear elevational view thereof;  
FIG. 6 is a right side elevational view thereof;  
FIG. 7 is a top plan view thereof;  
FIG. 8 is a bottom plan view thereof;  
FIG. 9 is a top front perspective view of the bottle in a second position;  
FIG. 10 is a front elevational view of the bottle in the second position;  
FIG. 11 is a left side elevational view of the bottle in the second position;  
FIG. 12 is a right side elevational view of the bottle in the second position; and,  
FIG. 13 is a top plan view of the bottle in the second position.  
The portions illustrated in broken lines form no part of the claimed design.

(56) **References Cited**

U.S. PATENT DOCUMENTS

D111,253 S \* 9/1938 Grasty ..... D9/560  
D217,435 S \* 5/1970 William ..... D9/560  
D267,076 S \* 11/1982 Hurtig ..... D9/520  
D320,155 S \* 9/1991 Plochman, III ..... D9/520  
D451,812 S \* 12/2001 Colonna de Giovellina .....  
D491,069 S \* 6/2004 Heliste ..... D9/560  
D537,726 S \* 3/2007 Elgebrant ..... D9/560

**1 Claim, 13 Drawing Sheets**



(56)

References Cited

U.S. PATENT DOCUMENTS

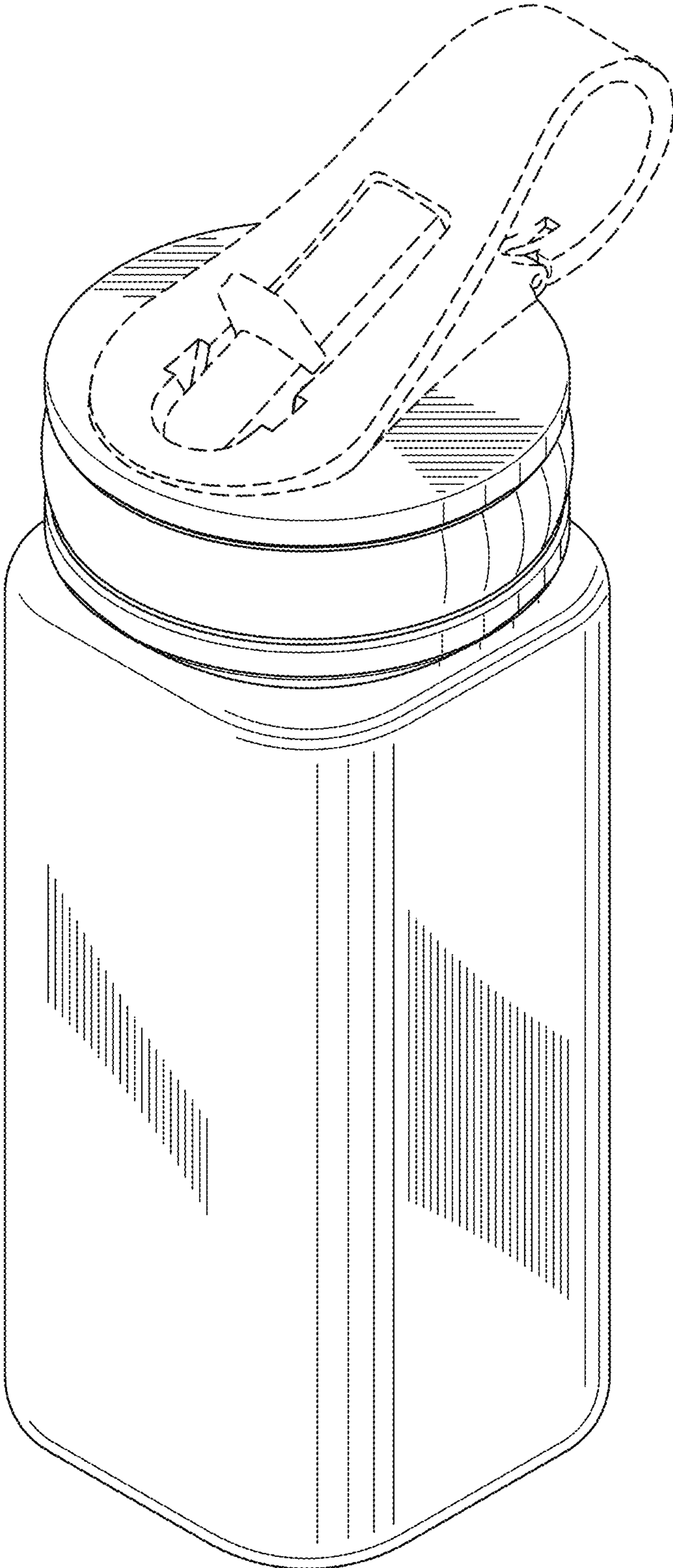
D558,583 S \* 1/2008 Langbein ..... D9/560  
 D577,599 S \* 9/2008 Moretti ..... D9/560  
 D602,785 S \* 10/2009 Rothberg ..... D9/547  
 D620,355 S 7/2010 Nardini  
 D625,955 S \* 10/2010 Yang ..... D7/523  
 D638,658 S 5/2011 Staton  
 D649,879 S 12/2011 Gullickson et al.  
 D652,256 S 1/2012 Eyal  
 D656,405 S \* 3/2012 Byron ..... D9/560  
 8,297,462 B1 \* 10/2012 Joyce ..... A45F 3/18  
 215/396  
 D688,093 S 8/2013 Roth et al.  
 D695,616 S \* 12/2013 Li ..... D9/503  
 D696,958 S \* 1/2014 Rex ..... D9/435  
 D704,986 S \* 5/2014 Manies ..... D7/392.1  
 D717,661 S \* 11/2014 McIntire ..... D9/560  
 D722,804 S \* 2/2015 Kay ..... D7/300.1  
 D723,333 S 3/2015 Lin  
 D724,384 S \* 3/2015 Donovan ..... D7/510  
 D741,720 S \* 10/2015 Anandani ..... D9/560  
 D756,234 S \* 5/2016 Orset ..... D9/560  
 D760,088 S \* 6/2016 Kaye ..... D9/516  
 D766,093 S \* 9/2016 Otani ..... D9/452  
 D767,390 S 9/2016 Miksovsky et al.  
 D767,405 S \* 9/2016 Orset ..... D9/453  
 D780,588 S \* 3/2017 Miller ..... D9/530  
 D781,654 S \* 3/2017 Marquard ..... D7/510  
 D788,593 S \* 6/2017 Dalton ..... D9/560  
 D791,549 S 7/2017 Goodwin et al.  
 D795,009 S \* 8/2017 Alprin ..... D7/392.1  
 D798,160 S \* 9/2017 Miller ..... D9/560  
 D799,320 S 10/2017 Goodwin et al.  
 D805,350 S \* 12/2017 Cetera ..... D7/510  
 D810,500 S \* 2/2018 Maple ..... D7/392.1  
 D813,668 S 3/2018 Miller  
 D814,308 S \* 4/2018 Aebi ..... D9/560  
 D815,908 S 4/2018 Kauss et al.

D816,397 S 5/2018 Karl, IV et al.  
 2009/0266736 A1 \* 10/2009 Sprishen ..... B29C 49/20  
 206/459.5  
 2018/0282030 A1 10/2018 Anderl

OTHER PUBLICATIONS

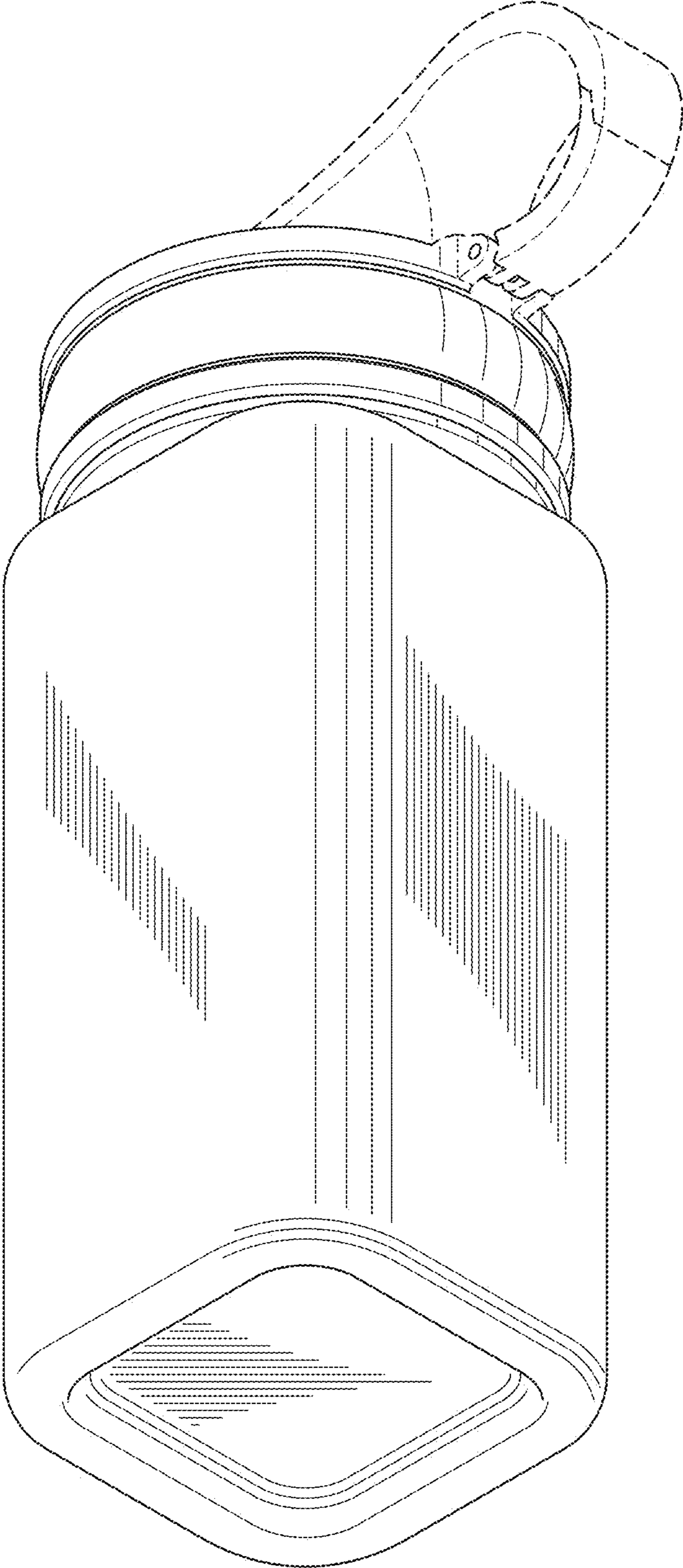
European Register of Community Designs Certificate of Registration No. 004661338-0001, Registration Date Jan. 10, 2018.  
 European Register of Community Designs Certificate of Registration No. 004661338-0002, Registration Date Jan. 10, 2018.  
 European Register of Community Designs Certificate of Registration No. 004661338-0003, Registration Date Jan. 10, 2018.  
 European Register of Community Designs Certificate of Registration No. 004661338-0004, Registration Date Jan. 10, 2018.  
 European Register of Community Designs Certificate of Registration No. 004661338-0005, Registration Date Jan. 10, 2018.  
 Design U.S. Appl. No. 29/610,527, Entitled "Bottle Lid", filed Jul. 13, 2017.  
 Design U.S. Appl. No. 29/610,545, Entitled "Bottle", filed Jul. 13 2017.  
 Japanese Design Patent Application No. 2018-000414, Entitled "Bottle", Filed Feb. 20, 2018.  
 Japanese Design Patent Application No. 2018-000381, Entitled "Bottle", Filed Feb. 20, 2018.  
 Canada Design Patent Application No. 179015, Entitled "Bottle", Filed Jan. 4, 2018.  
 Chinese Design Patent Application No. 201830012569.9, Entitled "Bottle", Filed Jan. 11, 2018.  
 Chinese Design Patent Application No. 201830304827.0, Entitled "Bottle Container", Filed Jan. 11, 2018.  
 Chinese Design Patent Application No. 201830305213.4, Entitled "Bottle", Filed Jan. 11, 2018.  
 Japanese Design Patent Application No. 2018-000387, Entitled "Bottle", Filed Jan. 12, 2018.

\* cited by examiner

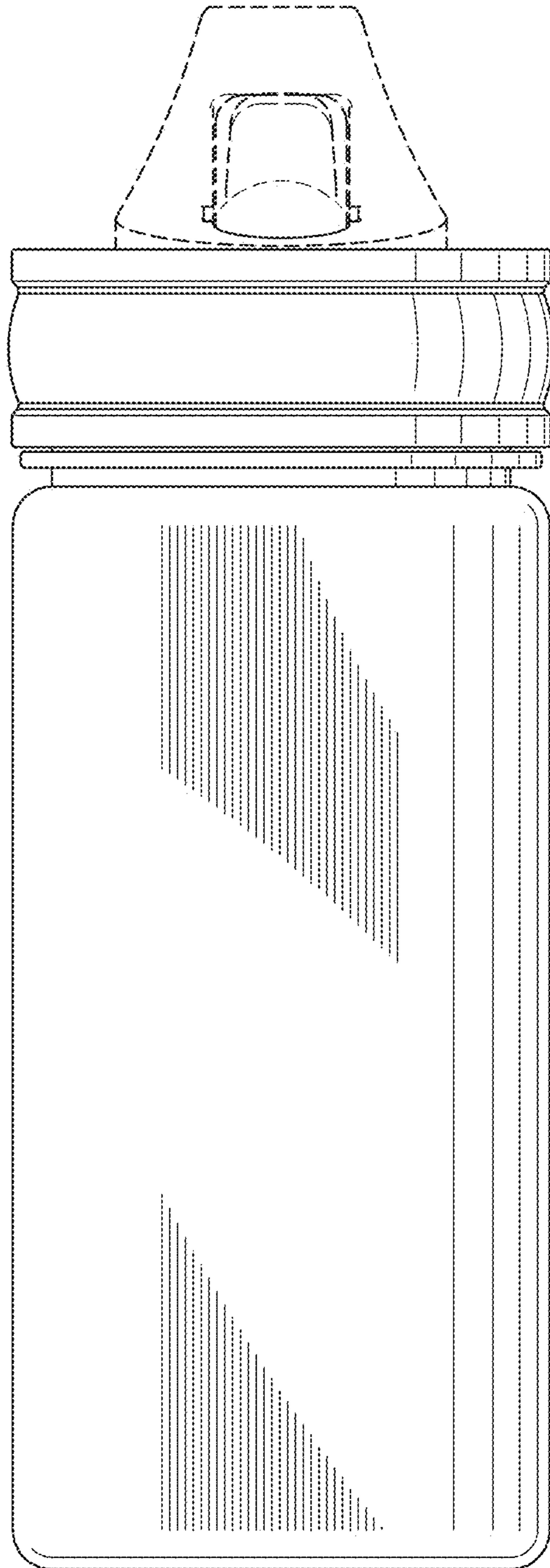


*Fig. 1*

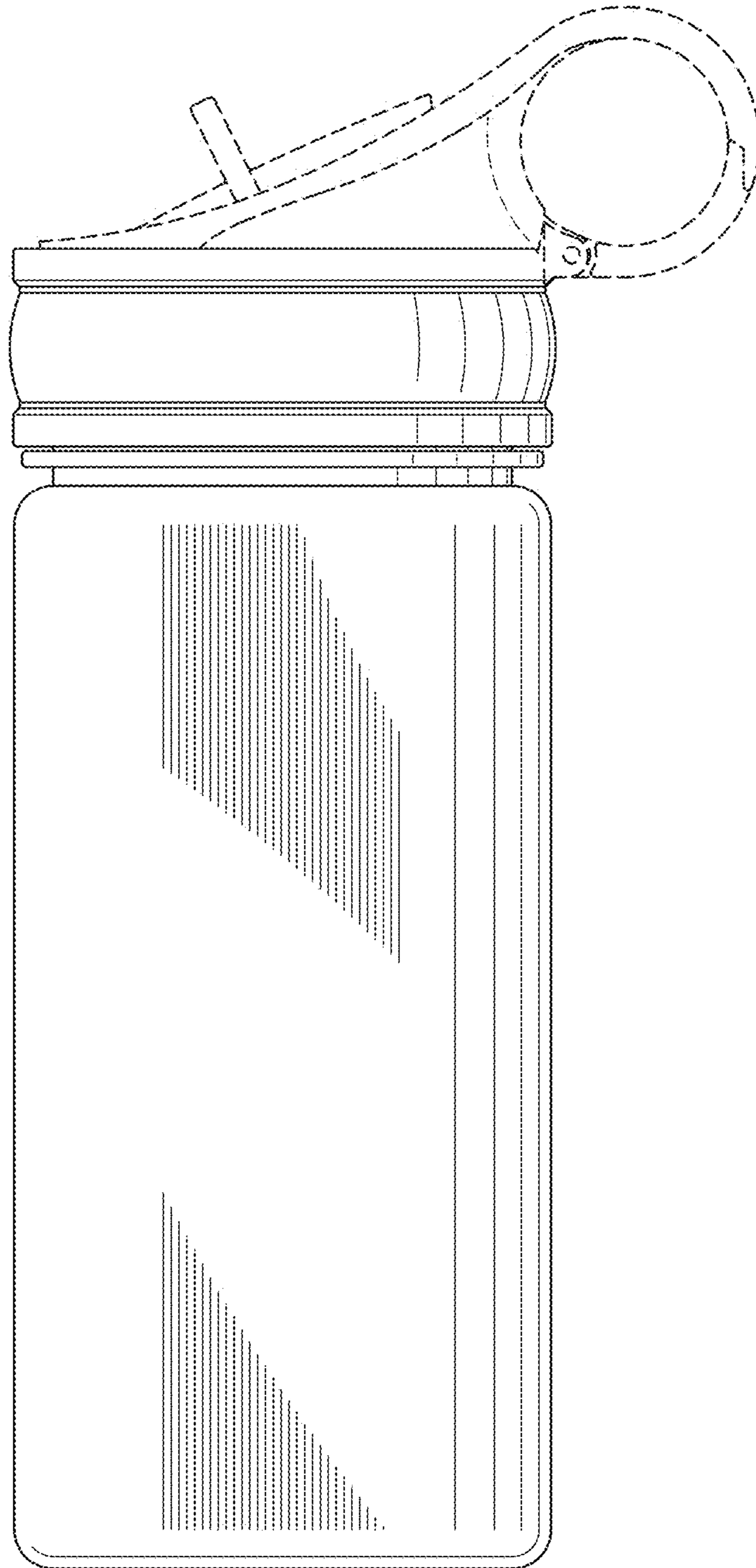




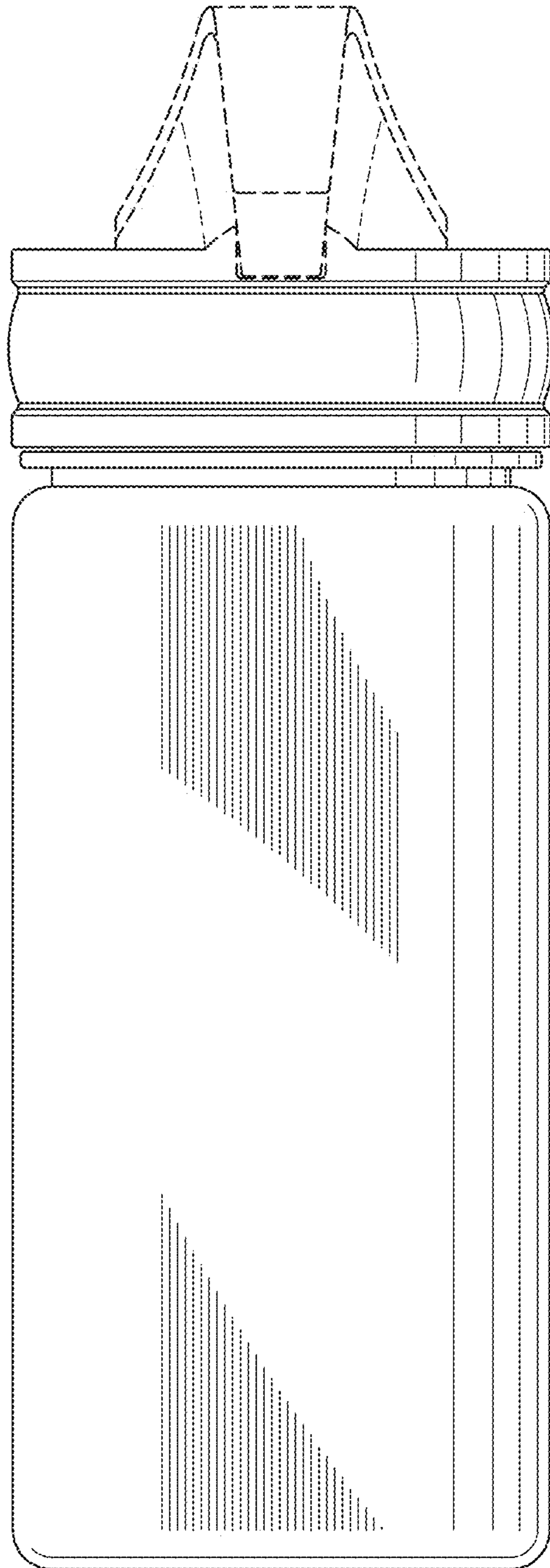
*Fig. 2*



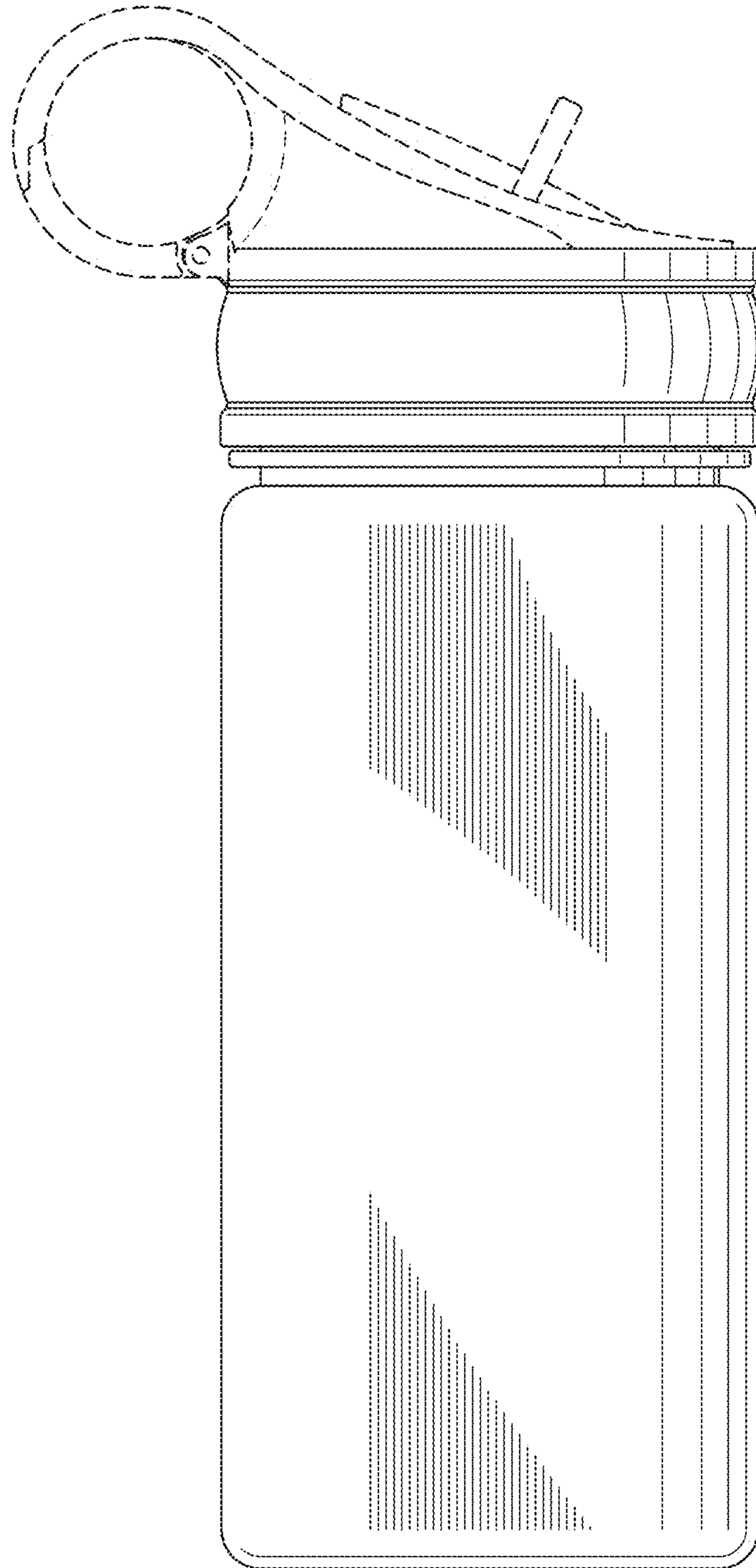
*Fig. 3*



*Fig. 4*

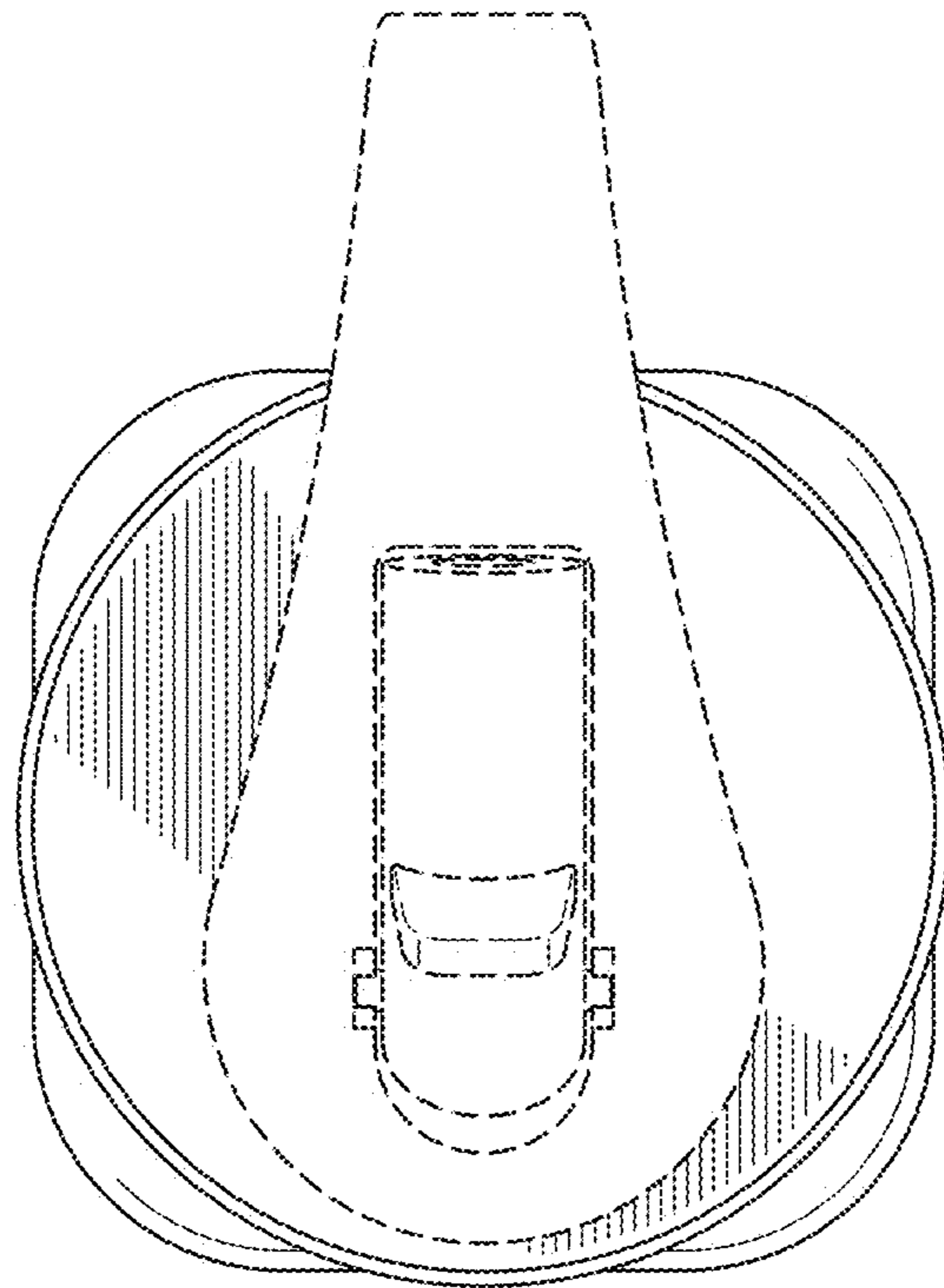


*Fig. 5*

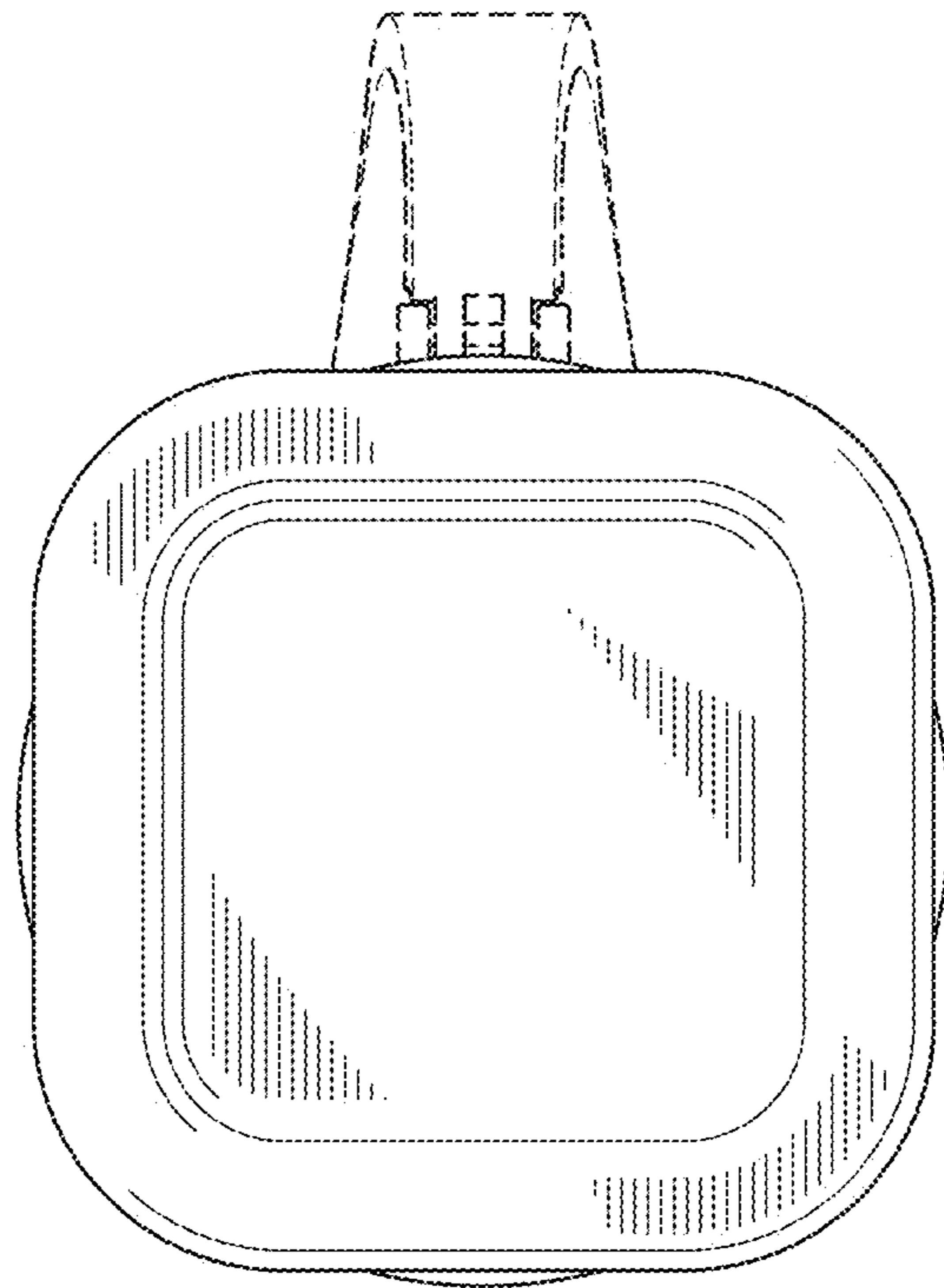


*Fig. 6*

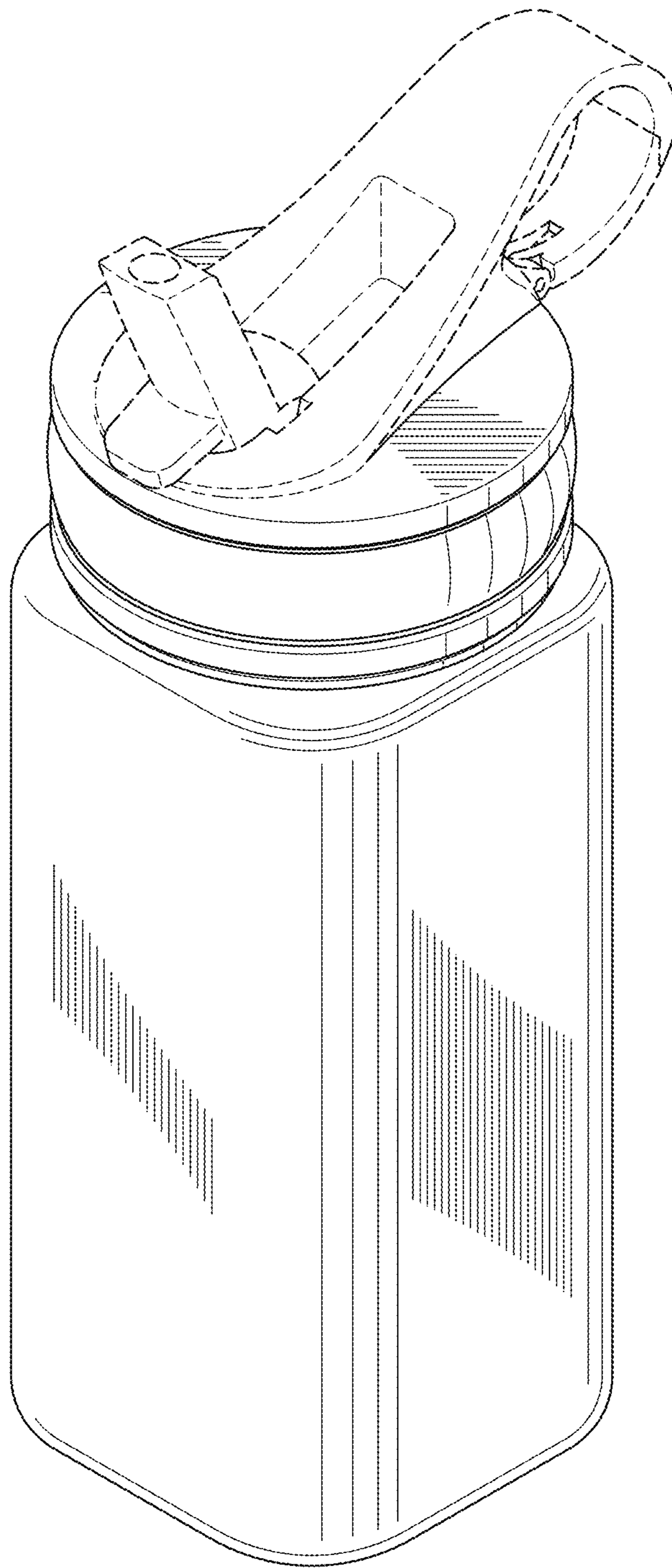




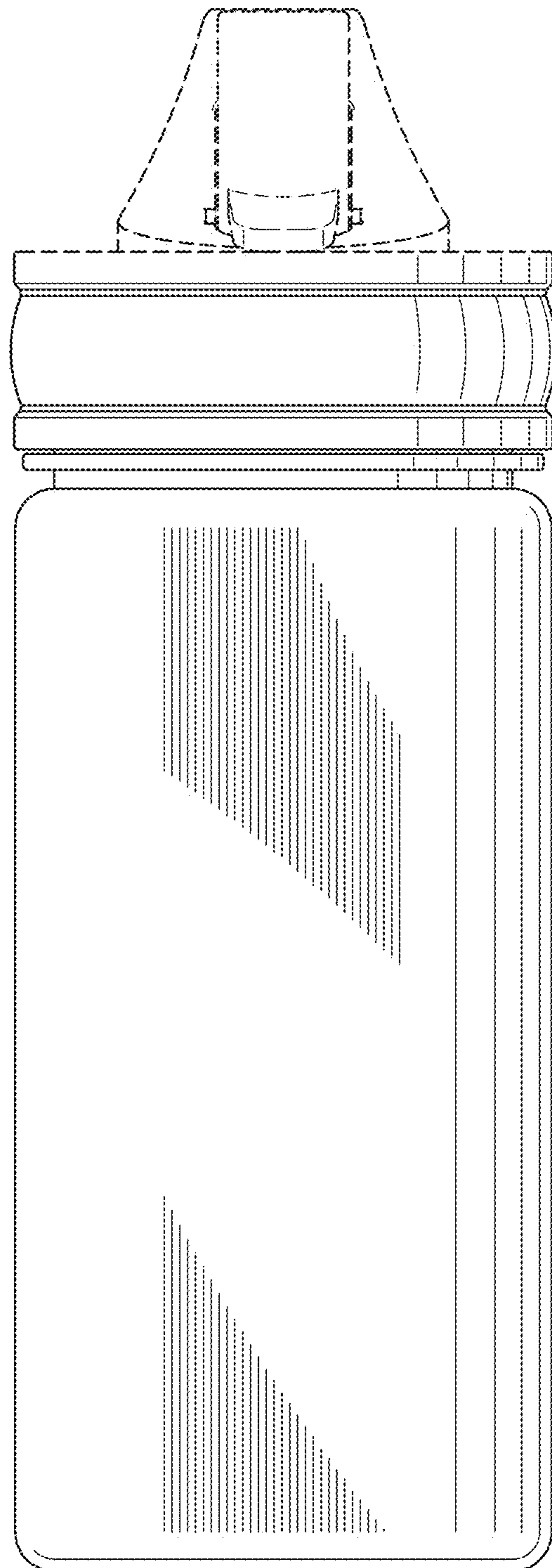
*Fig. 7*



*Fig. 8*

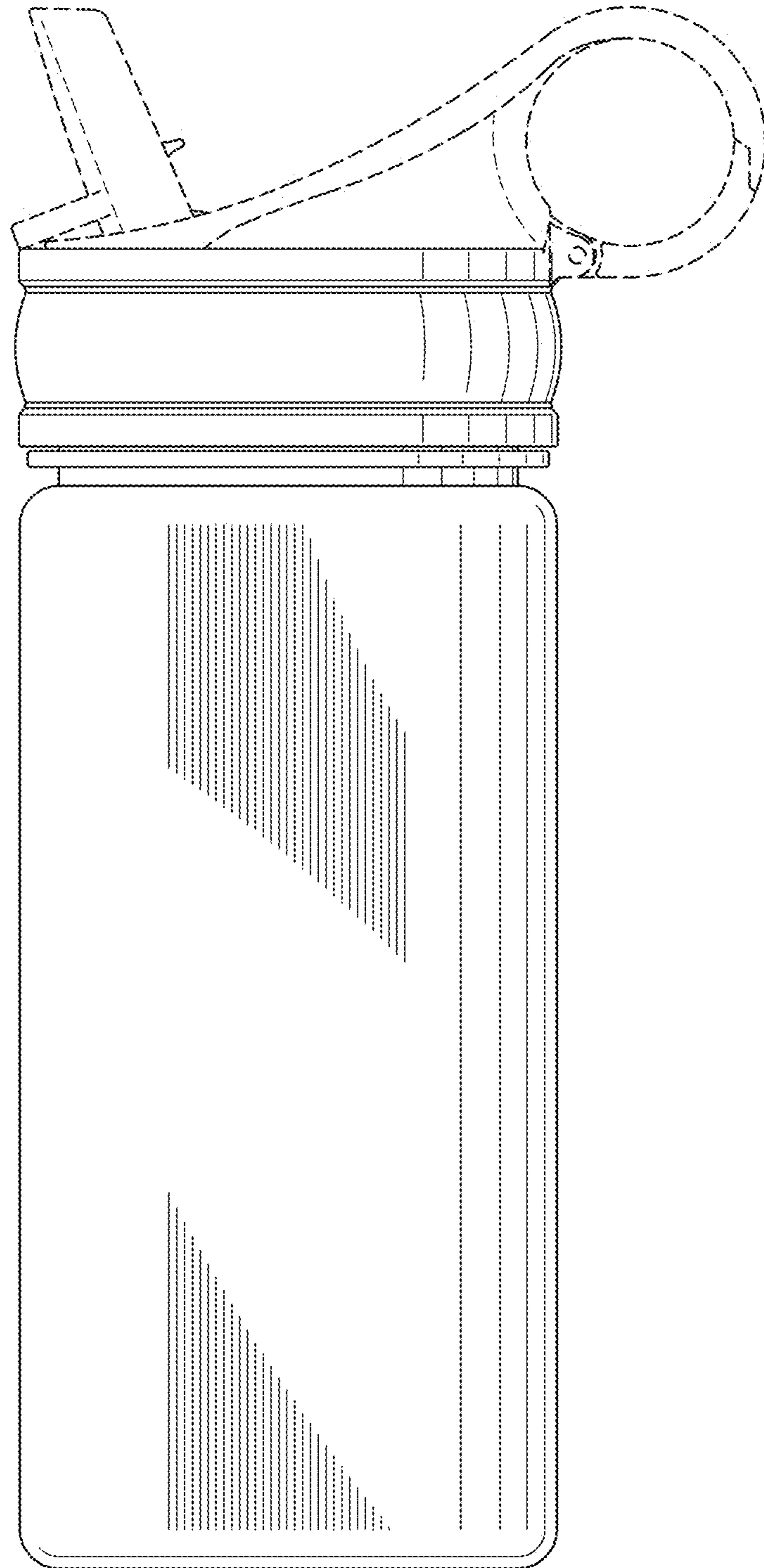


*Fig. 9*

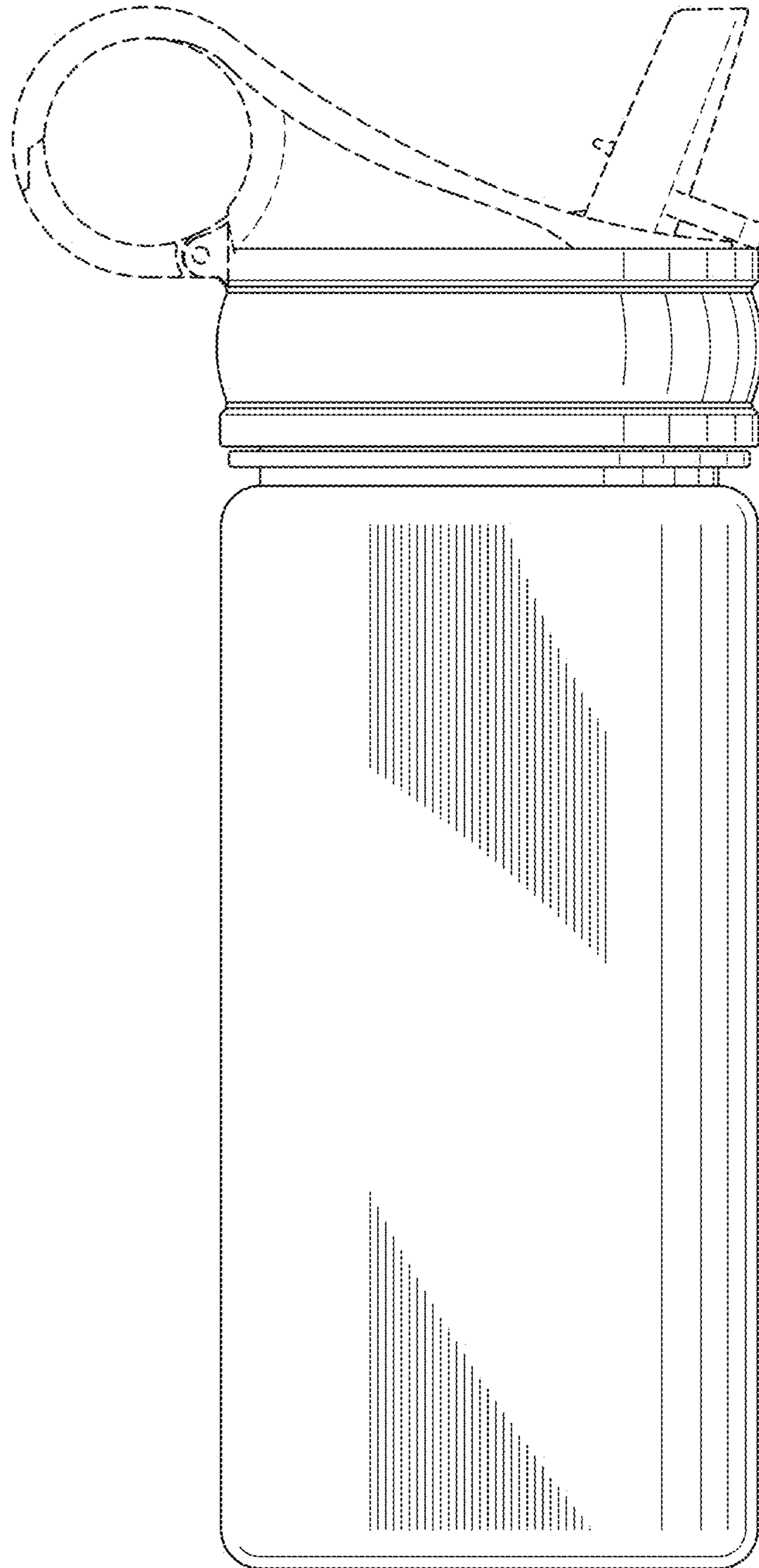


*Fig. 10*

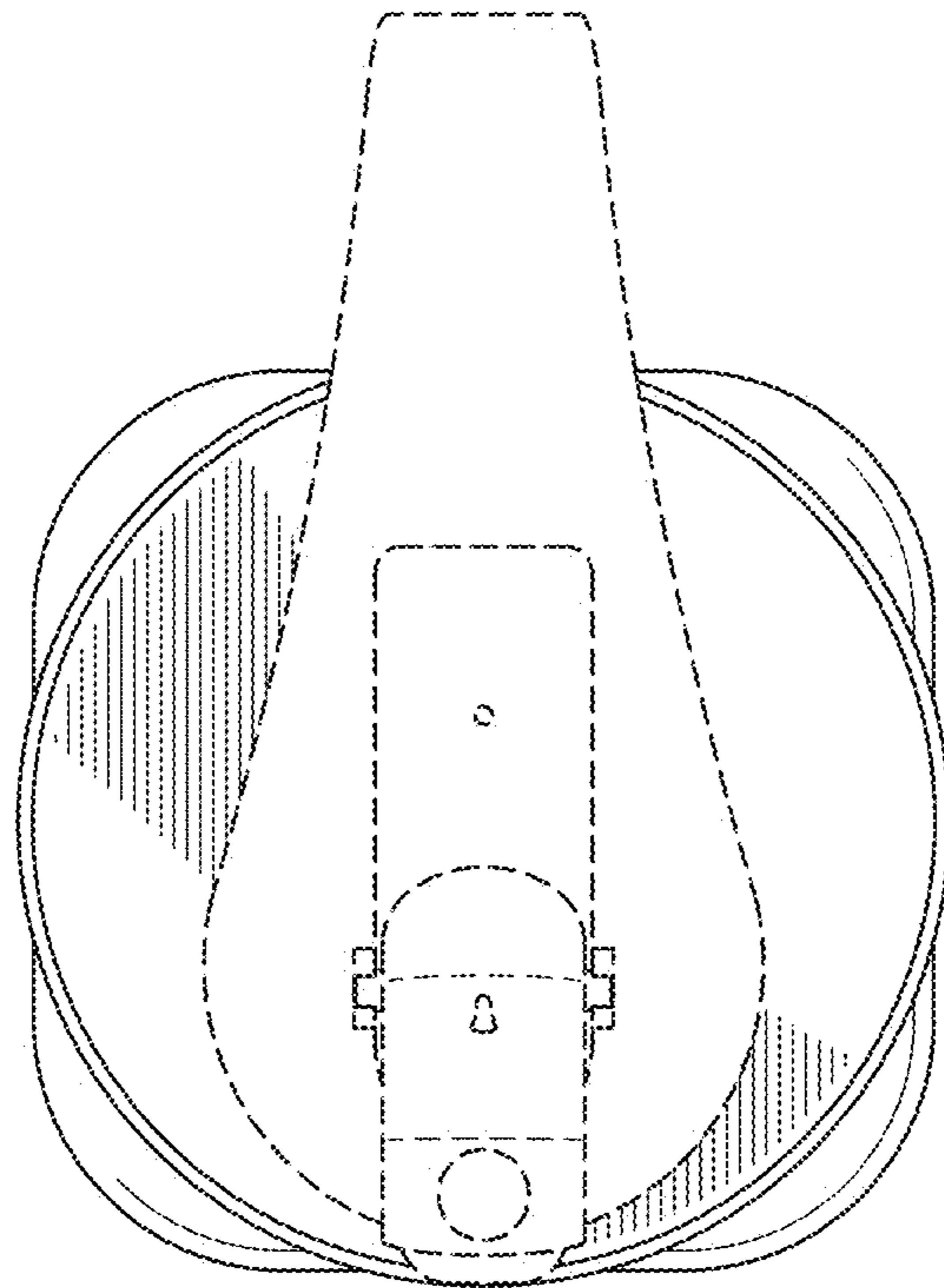




*Fig. 11*



*Fig. 12*



*Fig. 13*