



US00D885128S

(12) **United States Design Patent** (10) **Patent No.:** **US D885,128 S**
Rickstrew (45) **Date of Patent:** **** May 26, 2020**

(54) **POULTRY RACK**
(71) Applicant: **Janet Marie Rickstrew**, Englewood, CO (US)
(72) Inventor: **Janet Marie Rickstrew**, Englewood, CO (US)
(**) Term: **15 Years**
(21) Appl. No.: **29/658,810**
(22) Filed: **Aug. 2, 2018**
(51) **LOC (12) Cl.** **07-02**
(52) **U.S. Cl.**
USPC **D7/409**
(58) **Field of Classification Search**
USPC D7/323, 332, 335-337, 354-355, D7/359-364, 387-388, 402, 407-409, D7/601; D19/77
CPC A21B 2/00; A21B 3/00; A21B 3/13; A21B 3/15; A21B 5/00; A21B 5/02; A23N 12/06; A23N 12/08; A23N 12/10; A45C 11/20; A47J 27/04; A47J 27/122; A47J 36/22; A47J 37/00; A47J 37/04; A47J 37/041; A47J 37/042; A47J 37/06; A47J 37/0688; A47J 37/0694; A47J 37/07; A47J 37/0704; A47J 37/10; A47J 47/20; A47J 2037/00; A47J 2037/06; A47J 2037/0611; A47J 2037/07; A47J 2037/0786; A47J 2037/0795; A47L 15/505; F24C 15/10; F24C 15/12; F24C 15/14; F24C 15/16; F24C 15/164; F24C 15/18
See application file for complete search history.

3,347,404 A * 10/1967 McIntyre A47J 27/122
220/486
D274,880 S * 7/1984 Bentson D6/708.16
4,741,262 A * 5/1988 Moncrief A47J 36/22
211/132.1
4,836,392 A * 6/1989 Constantino A47L 15/505
211/133.5
5,195,424 A * 3/1993 Guajaca A47J 27/04
126/348
D339,266 S * 9/1993 Lockett D7/323
D397,584 S * 9/1998 Vannello D7/388
D446,688 S * 8/2001 Vanello D7/601
D588,199 S * 3/2009 Eisenbaum D19/77
D615,355 S * 5/2010 Viahos D7/409
D722,250 S * 2/2015 Borovicka D7/409

* cited by examiner

Primary Examiner — Ricky Pham
(74) *Attorney, Agent, or Firm* — Polson Intellectual Property Law, PC; Margaret Polson

(57) **CLAIM**

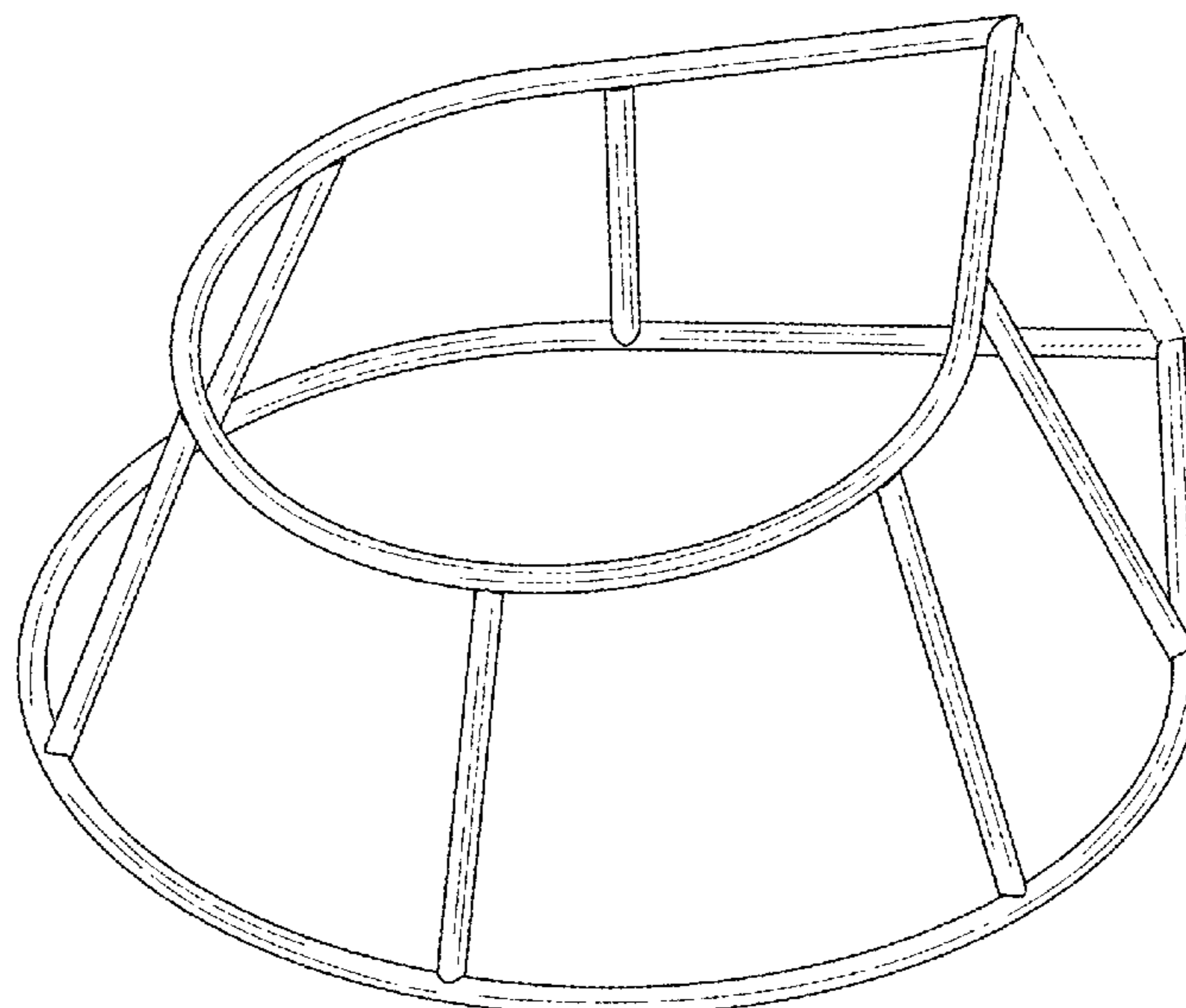
The ornamental design for poultry rack, as shown and described.

DESCRIPTION

FIG. 1 is a top isometric view of my new design for a poultry rack.
FIG. 2 is a back side elevation view of FIG. 1.
FIG. 3 is a front side elevation view of FIG. 1.
FIG. 4 is a right side elevation view of FIG. 1.
FIG. 5 is a left side elevation view of FIG. 1
FIG. 6 is a top side plan view of FIG. 1; and,
FIG. 7 is a bottom side plan view of FIG. 1.
The broken lines are included for the purpose of illustrating unclaimed subject matter and form no part of the claimed design.

(56) **References Cited**
U.S. PATENT DOCUMENTS
1,956,678 A * 5/1934 Hanson A45C 11/20
108/183
3,212,426 A * 10/1965 Lewus A47J 27/04
99/339

1 Claim, 5 Drawing Sheets



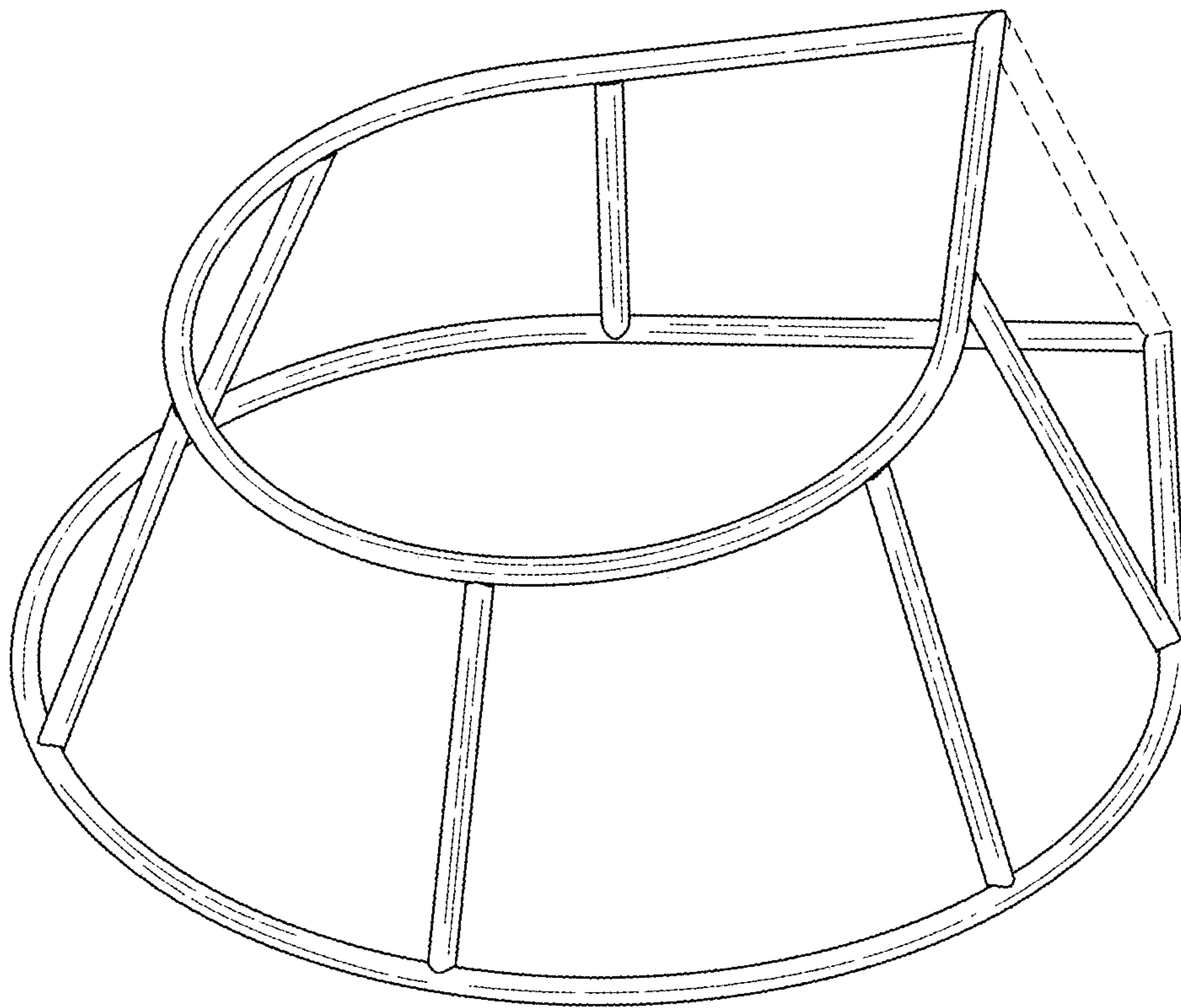


FIG.1

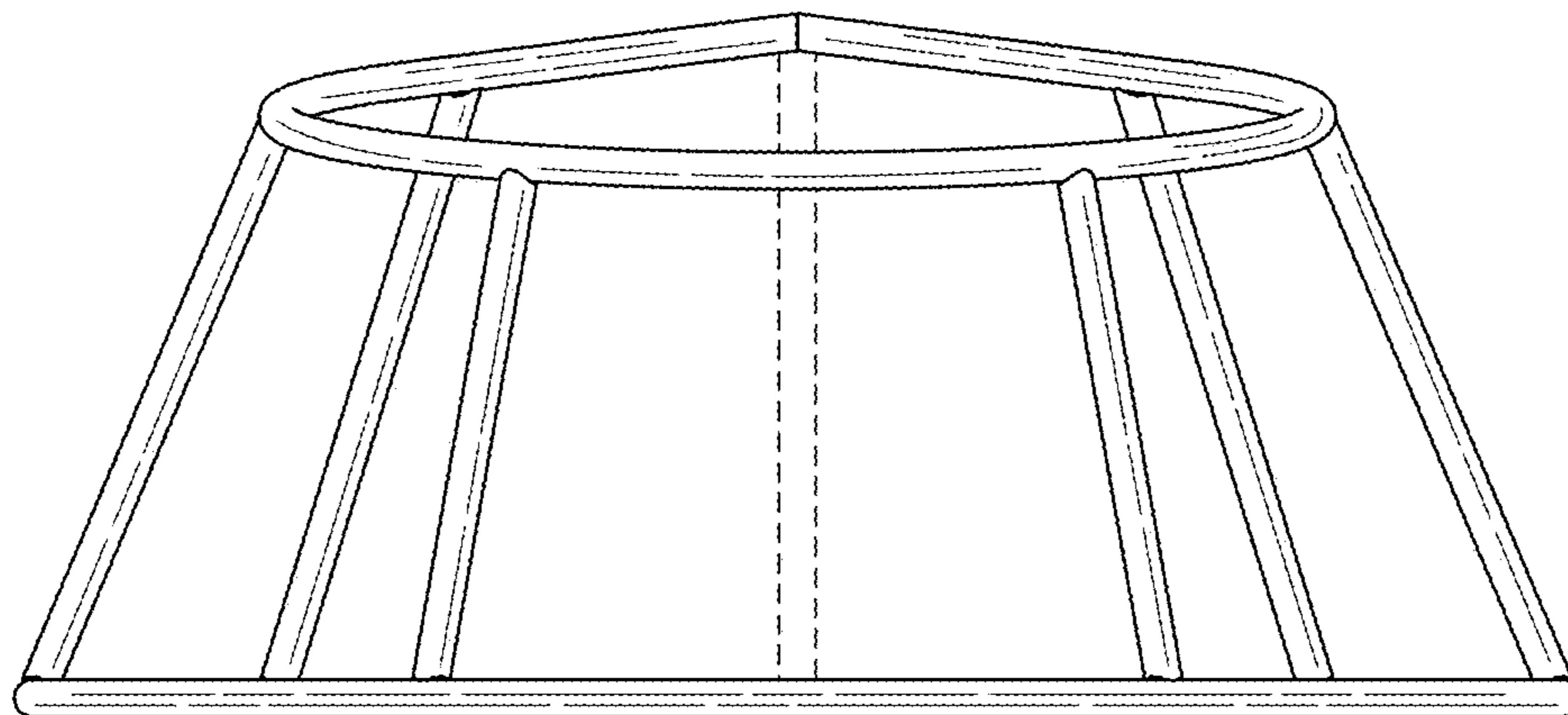


FIG. 2

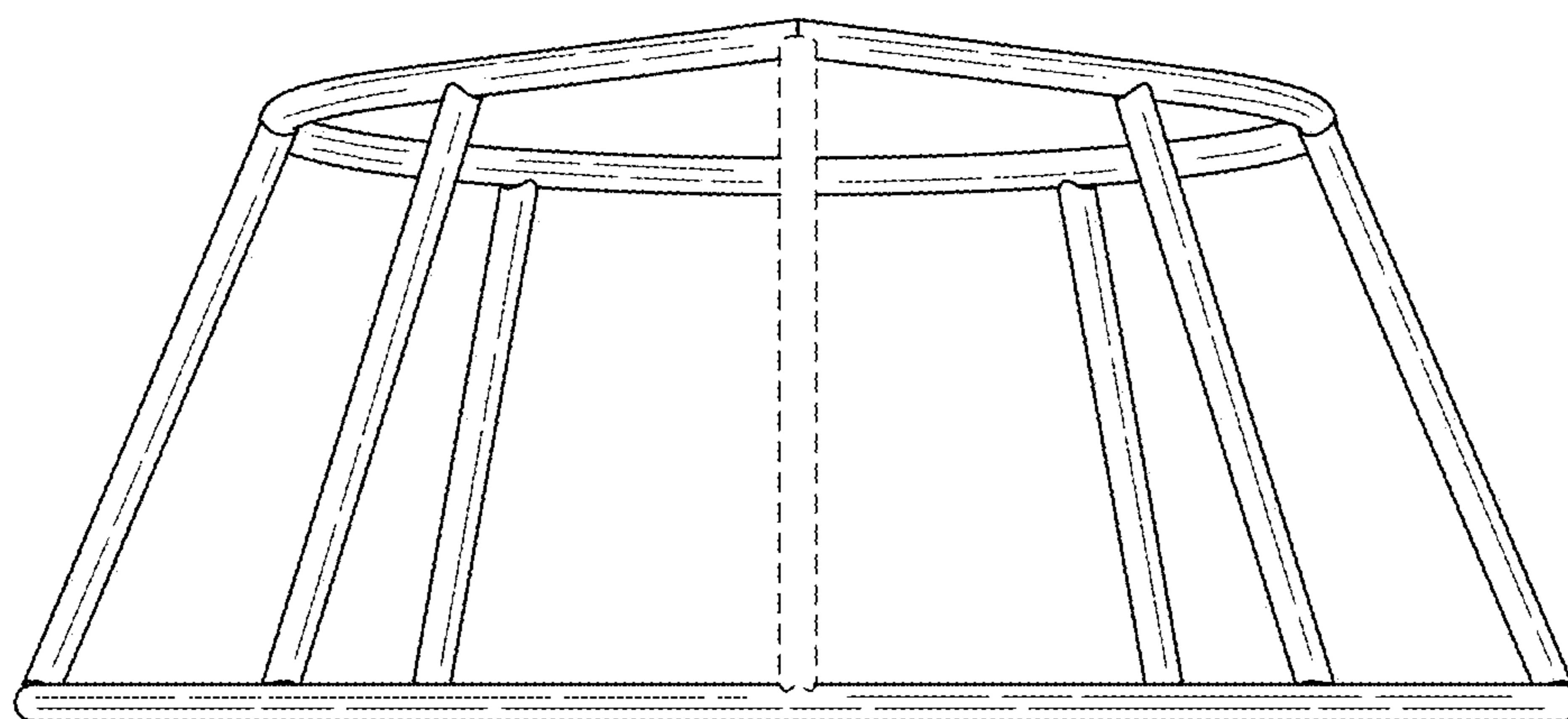


FIG. 3

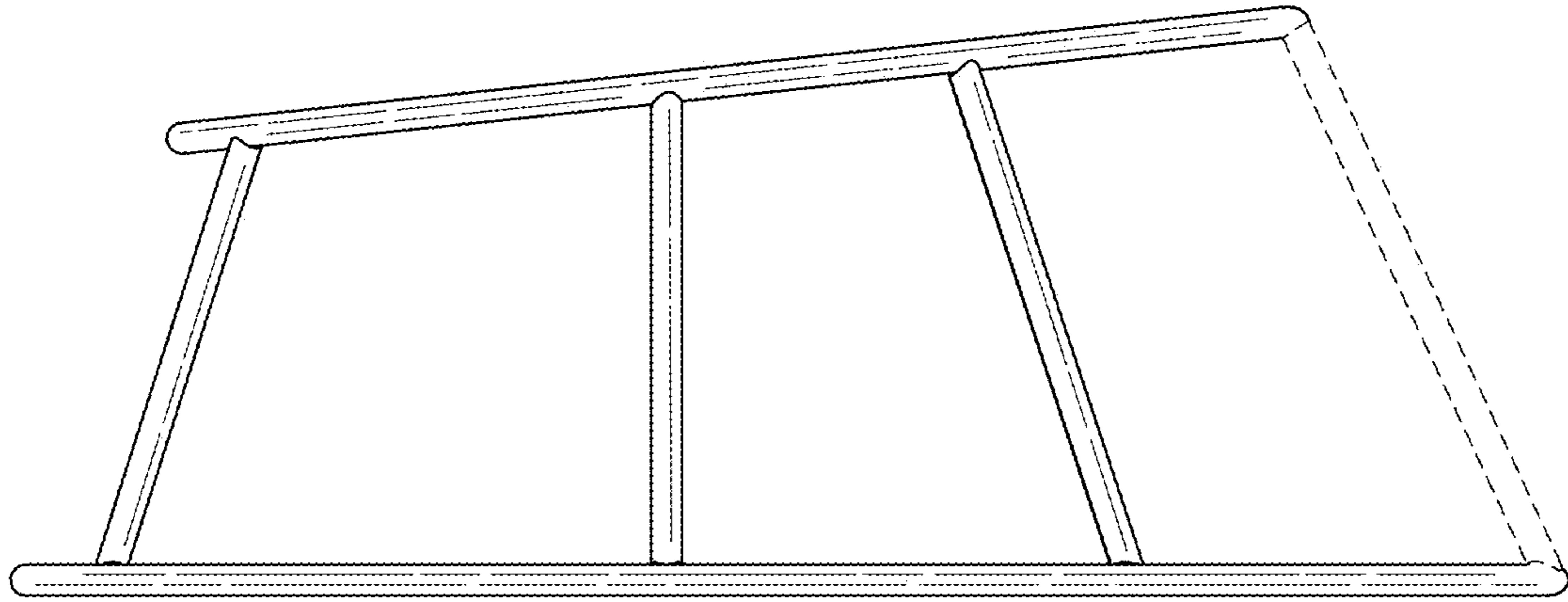


FIG. 4

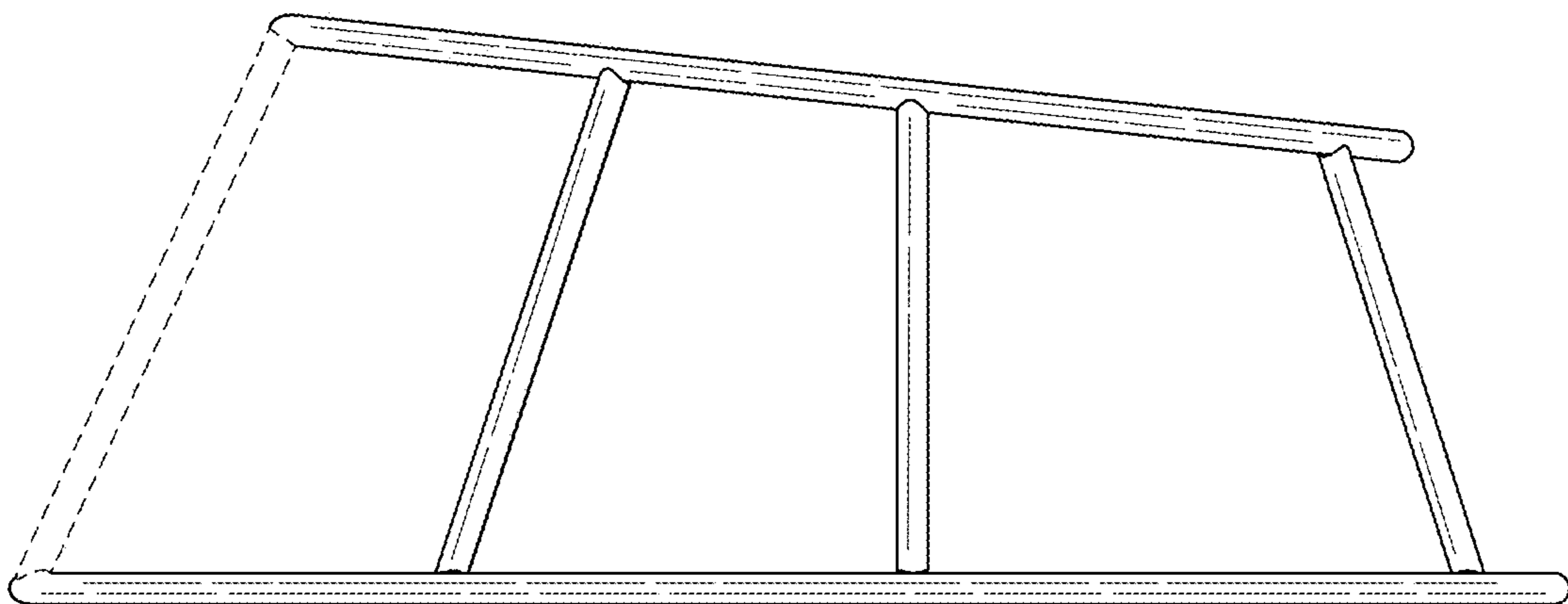


FIG. 5

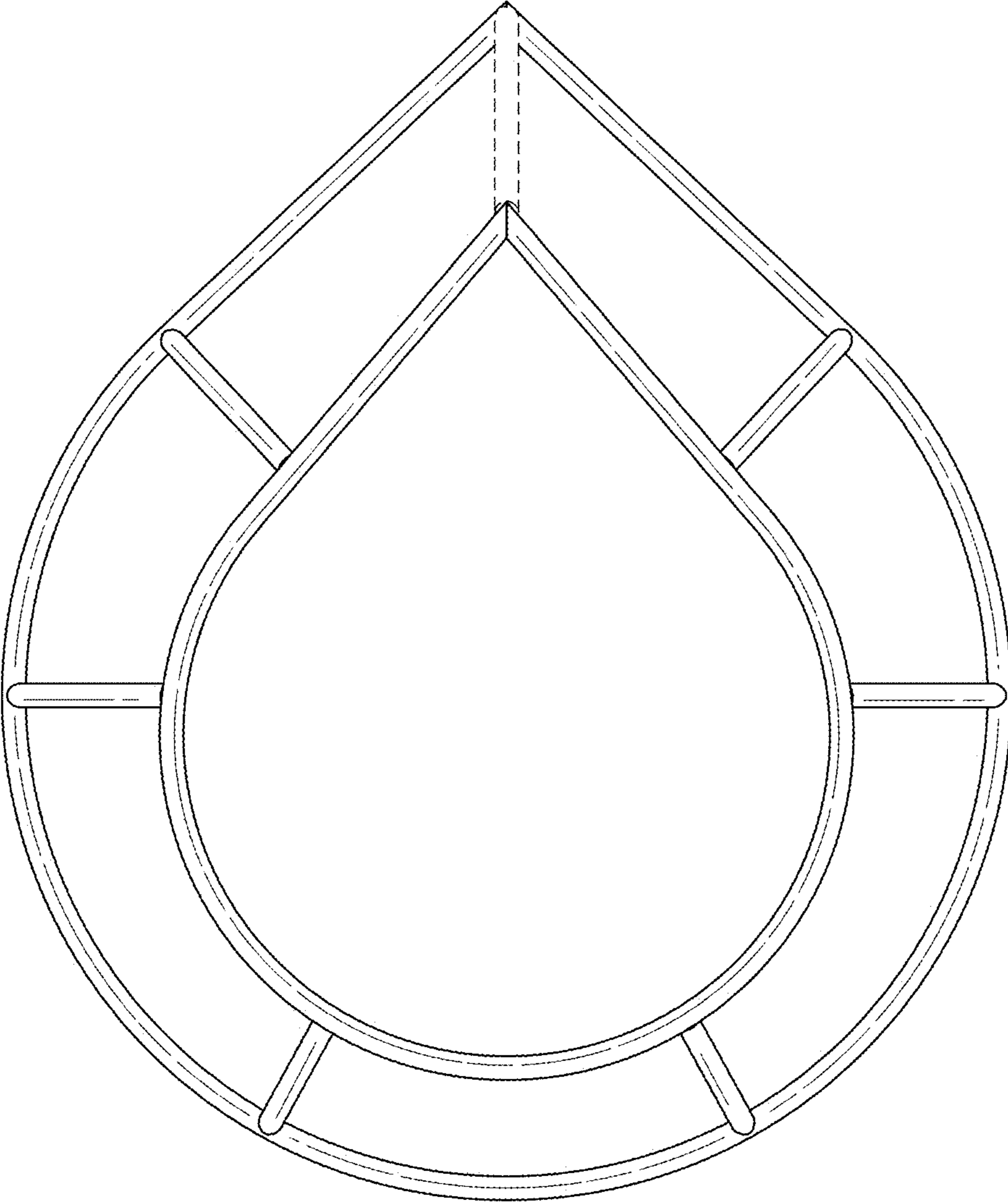


FIG.6

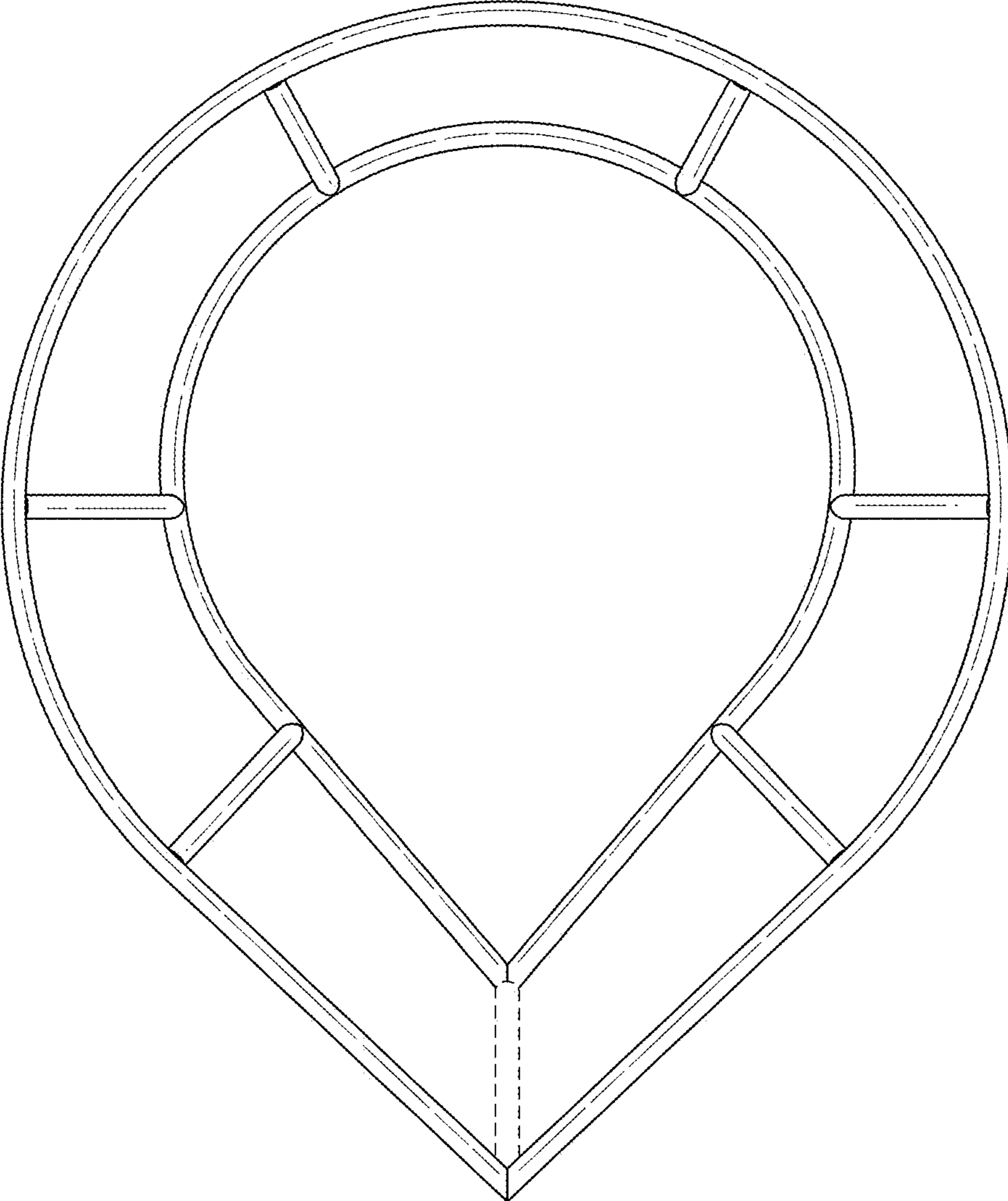


FIG.7