



US00D885126S

(12) **United States Design Patent** (10) **Patent No.:** **US D885,126 S**  
**McLean et al.** (45) **Date of Patent:** **\*\* May 26, 2020**

(54) **BREWING APPARATUS**  
(71) Applicant: **ESPRO, Inc.**, Vancouver (CA)  
(72) Inventors: **Christopher R. McLean**, Vancouver (CA); **Bruce A. Constantine**, North Attleboro, MA (US)  
(73) Assignee: **Espro, Inc.**, Vancouver, BC (CA)  
(\*\*) Term: **15 Years**  
(21) Appl. No.: **29/639,985**  
(22) Filed: **Mar. 9, 2018**  
(51) **LOC (12) Cl.** ..... **07-99**  
(52) **U.S. Cl.**  
USPC ..... **D7/400**; D7/397; D7/309; D7/507  
(58) **Field of Classification Search**  
USPC ..... D7/397, 399, 400, 507, 505, 309; D9/429  
CPC ..... A47J 36/027; A47J 31/0621; A47J 31/02  
See application file for complete search history.

D741,025 S \* 10/2015 Ross ..... D30/121  
D750,935 S \* 3/2016 Cook ..... D7/399  
9,320,386 B2 \* 4/2016 Hulett ..... A23F 5/262  
D761,624 S \* 7/2016 McLean ..... D7/507  
D797,503 S \* 9/2017 Robotti ..... D7/400  
D815,925 S \* 4/2018 Rapparini ..... D9/500  
D823,033 S \* 7/2018 Cailleton ..... D7/300  
D823,049 S \* 7/2018 Neace, Jr. .... D7/399  
D823,050 S \* 7/2018 Neace, Jr. .... D7/399  
D831,396 S \* 7/2018 Sharma ..... D9/503  
D831,396 S \* 10/2018 Yoon ..... D7/300  
D841,395 S \* 2/2019 Adams, Jr. .... D7/400  
D845,705 S \* 4/2019 Simonazzi ..... D7/400  
D856,730 S \* 8/2019 Pisarevsky ..... D7/300

(Continued)

*Primary Examiner* — Marianne N Pandozzi  
(74) *Attorney, Agent, or Firm* — Winthrop & Weinstine, P.A.

(57) **CLAIM**

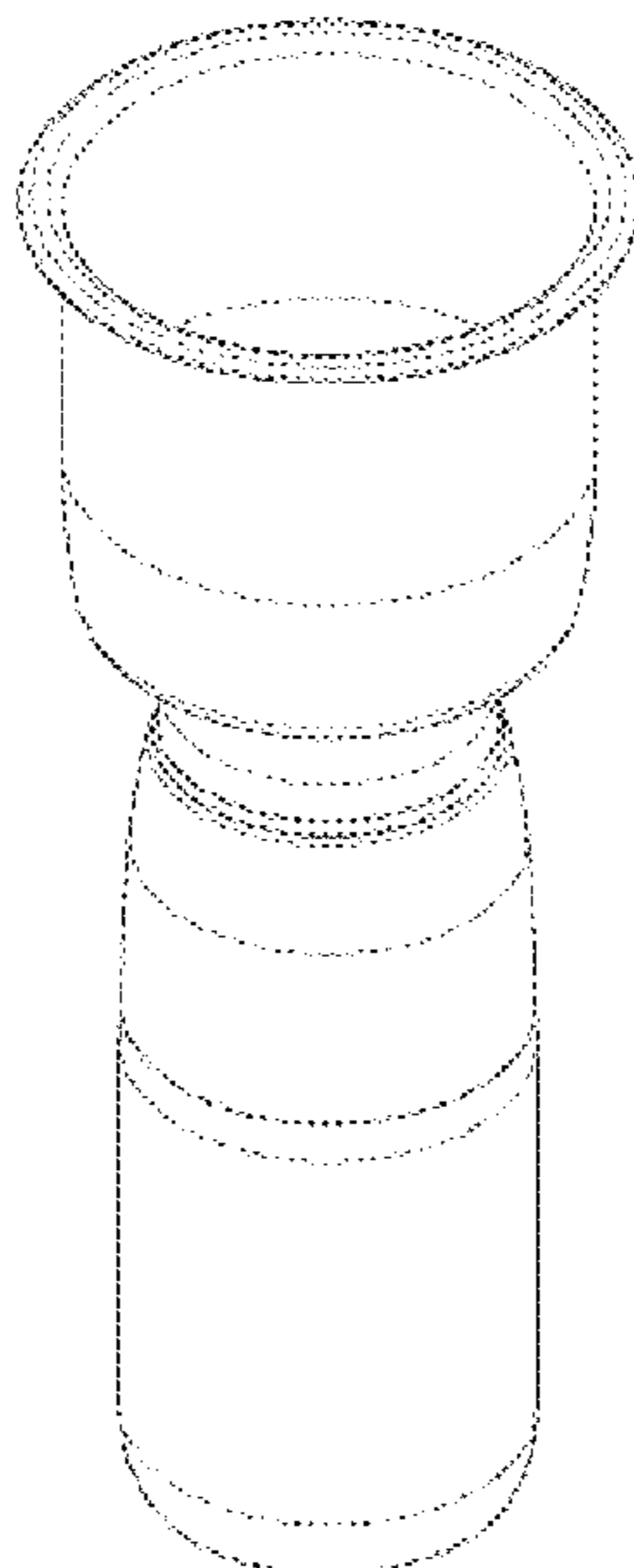
The ornamental design for a brewing apparatus, as shown and described.

**DESCRIPTION**

FIG. 1 is a front view of a brewing apparatus showing our new design;  
FIG. 2 is a left side view thereof;  
FIG. 3 is a right side view thereof;  
FIG. 4 is a rear view thereof;  
FIG. 5 is a top plan view thereof;  
FIG. 6 is a bottom plan view thereof;  
FIG. 7 is a top, front perspective view thereof;  
FIG. 8 is a top rear perspective view thereof;  
FIG. 9 is a top right side perspective view thereof;  
FIG. 10 is a top left side perspective view thereof;  
FIG. 11 is a bottom front perspective view thereof;  
FIG. 12 is a bottom rear perspective view thereof;  
FIG. 13 is a bottom right side perspective view thereof; and,  
FIG. 14 is a bottom right side perspective view thereof.

**1 Claim, 13 Drawing Sheets**

(56) **References Cited**  
U.S. PATENT DOCUMENTS  
4,697,503 A \* 10/1987 Okabe ..... A47J 31/02 426/82  
5,010,221 A \* 4/1991 Grossman ..... A47J 36/027 219/689  
D332,891 S \* 2/1993 Cumberland ..... D12/419  
5,249,509 A \* 10/1993 English ..... A47J 31/0621 99/285  
D345,880 S \* 4/1994 Classen ..... D7/305  
D397,911 S \* 9/1998 Waldmann ..... D7/347  
8,596,491 B2 \* 12/2013 Buck ..... A47G 19/2205 206/815  
D700,475 S \* 3/2014 Avigdor ..... D7/400  
8,973,776 B1 \* 3/2015 Buck ..... A47G 19/2272 220/521  
D740,067 S \* 10/2015 Katz ..... D7/399



(56)

**References Cited**

U.S. PATENT DOCUMENTS

D858,196 S \* 9/2019 Graham ..... D7/507  
D861,430 S \* 10/2019 Yueh ..... D7/507  
2010/0263548 A1\* 10/2010 Kokatsu ..... A47J 31/02  
99/306  
2011/0020497 A1\* 1/2011 Steven ..... A23L 2/395  
426/61  
2016/0360918 A1\* 12/2016 Chen ..... A23F 3/18  
2017/0231418 A1\* 8/2017 Bebo ..... A47J 31/06  
99/323  
2019/0208949 A1\* 7/2019 Tsigounis ..... A47J 31/005  
2019/0239676 A1\* 8/2019 Kirkham ..... A47J 31/02

\* cited by examiner

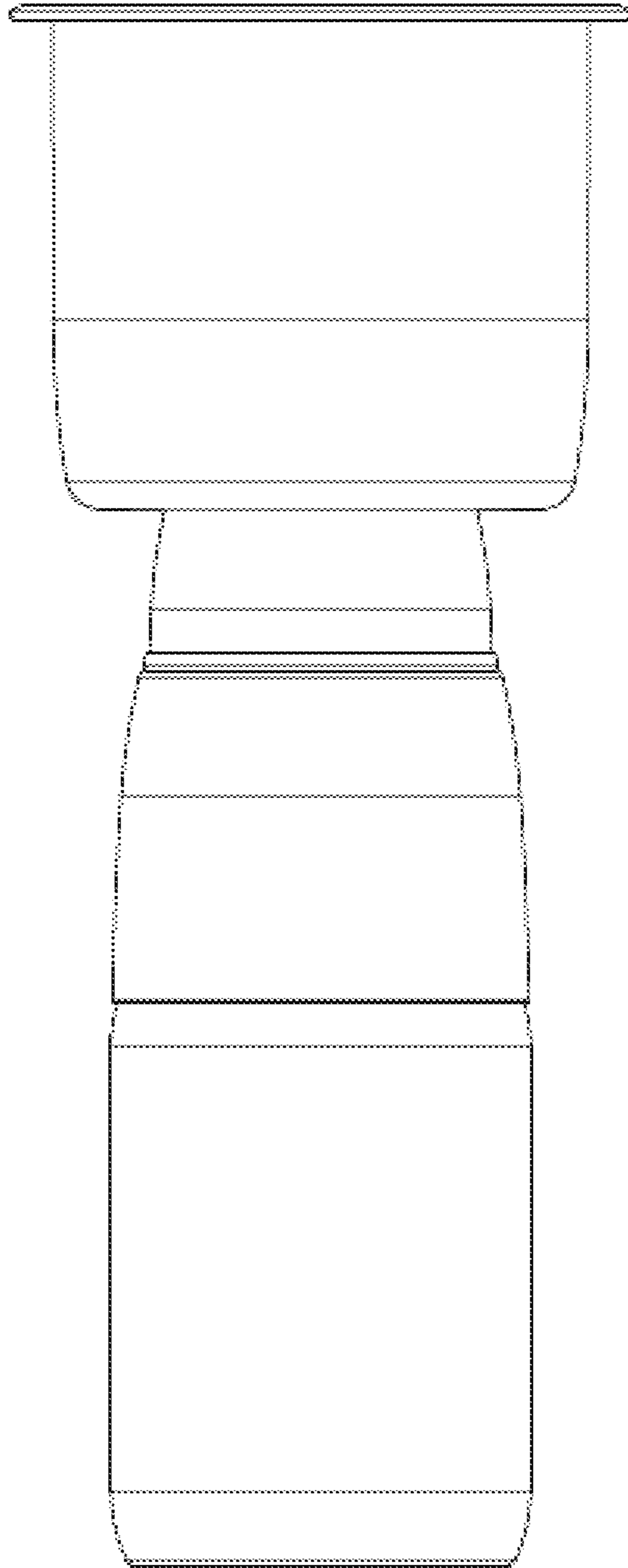


FIG. 1

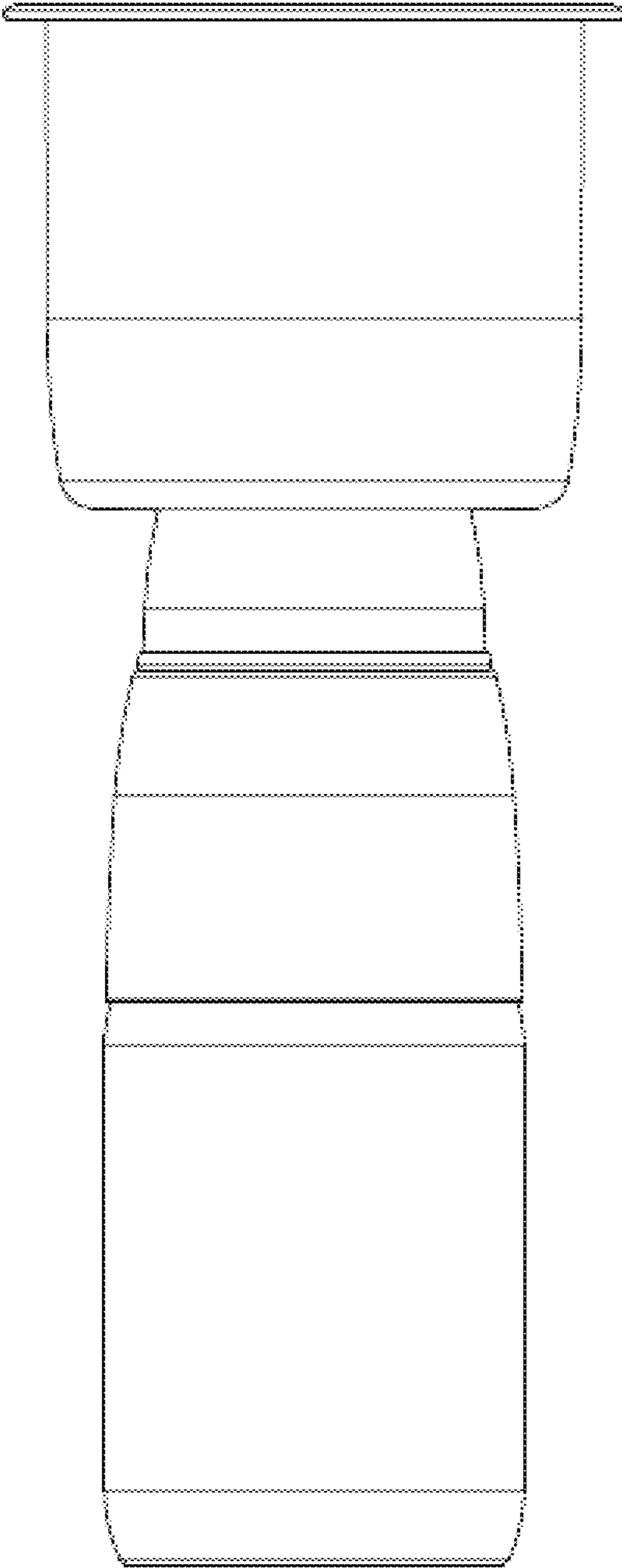


FIG. 2

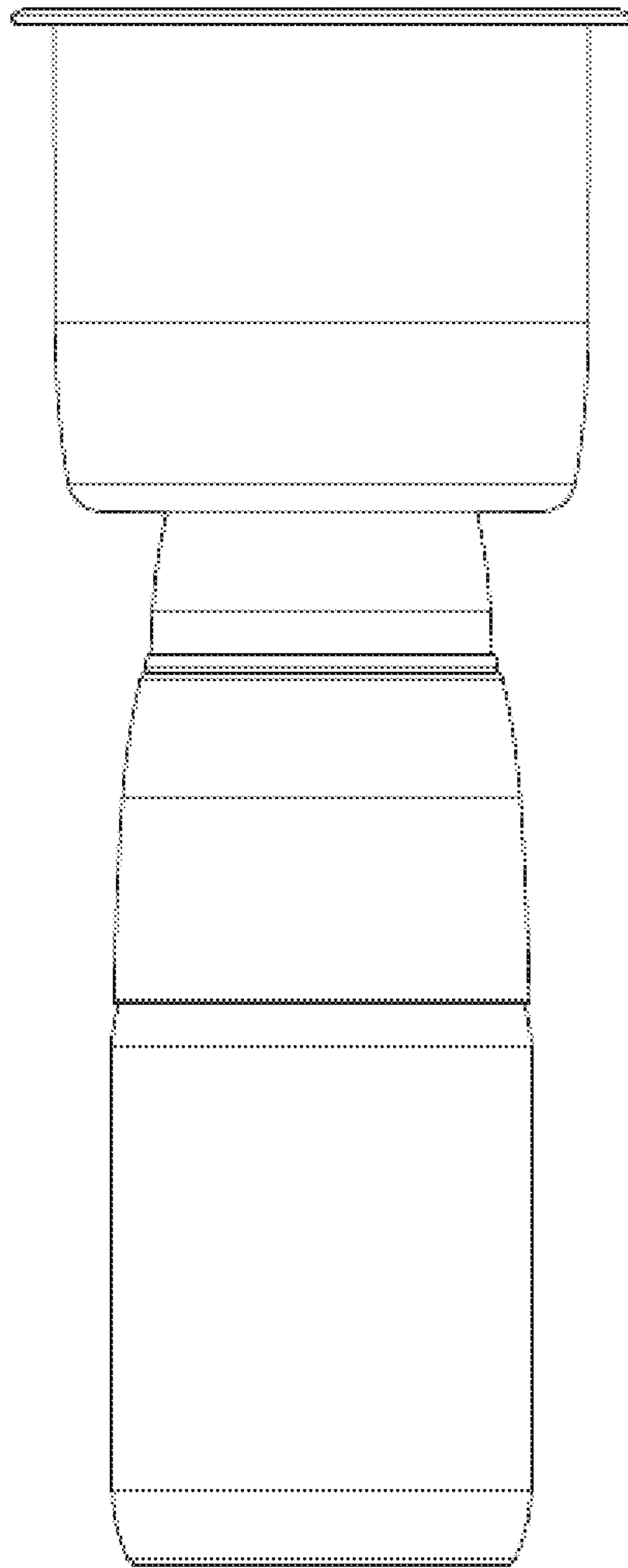


FIG. 3

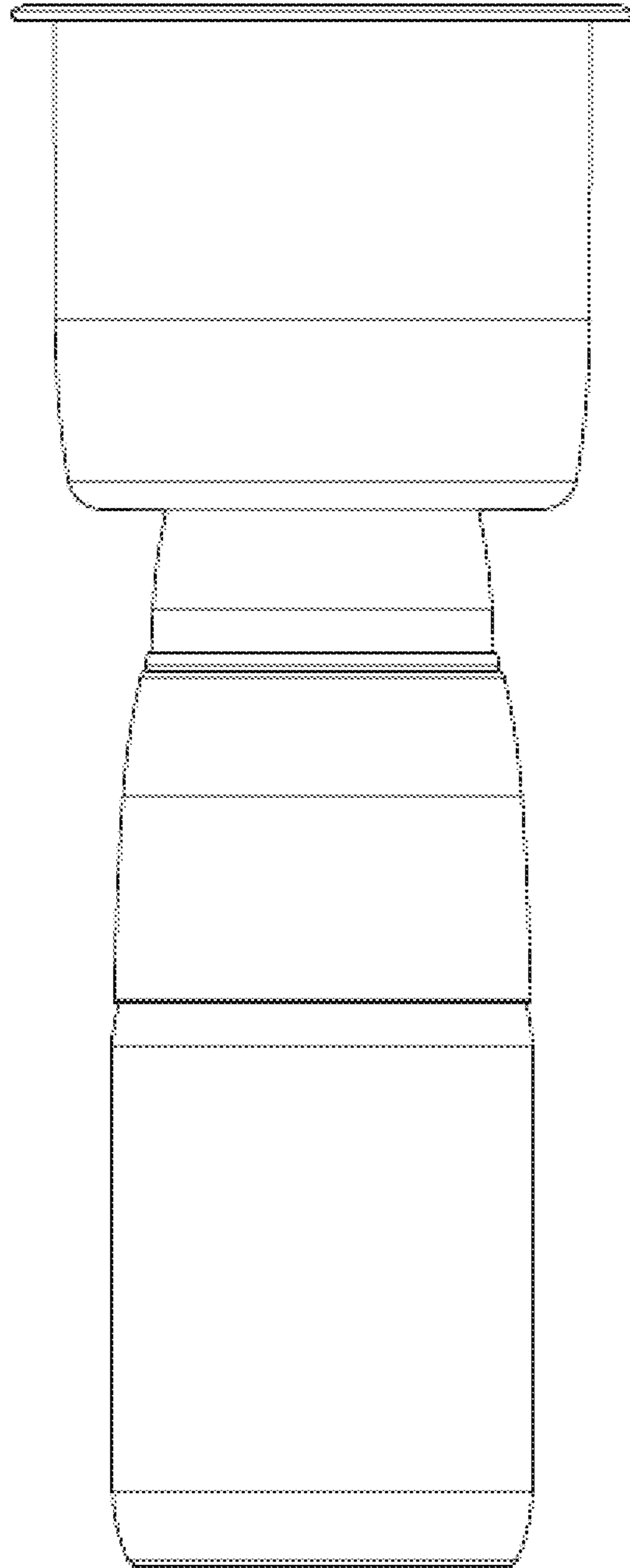


FIG. 4

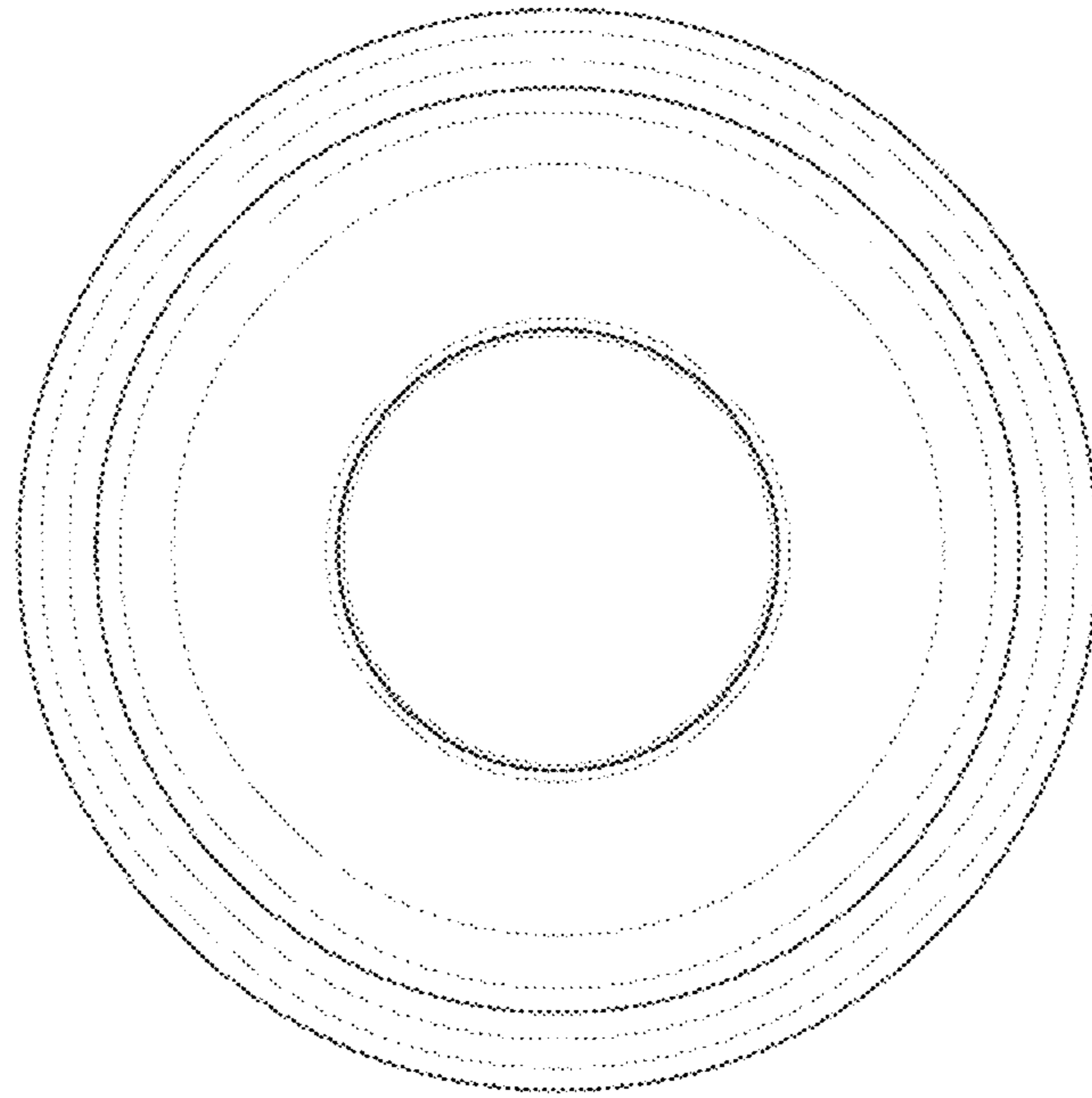


FIG. 5

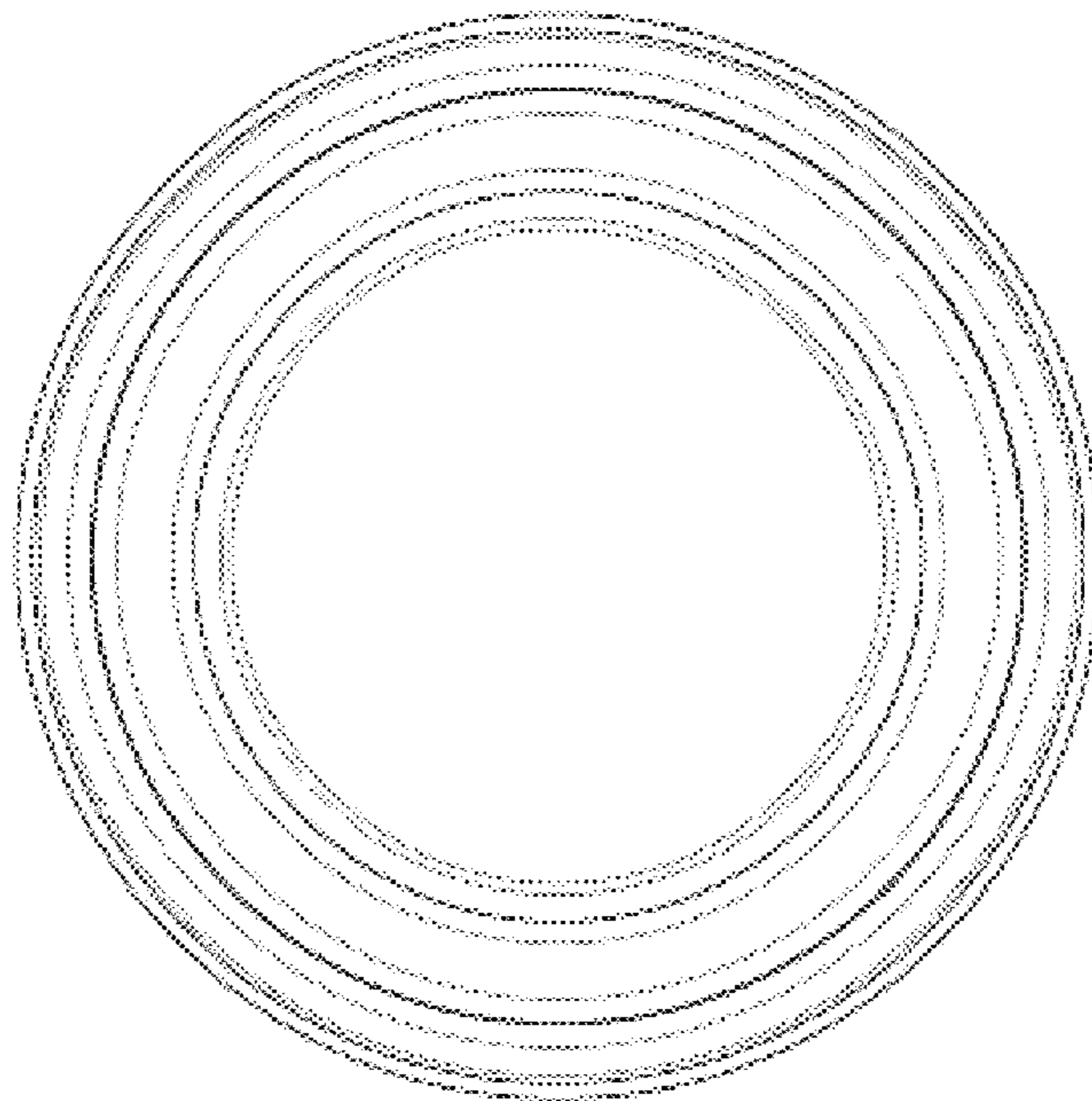


FIG. 6



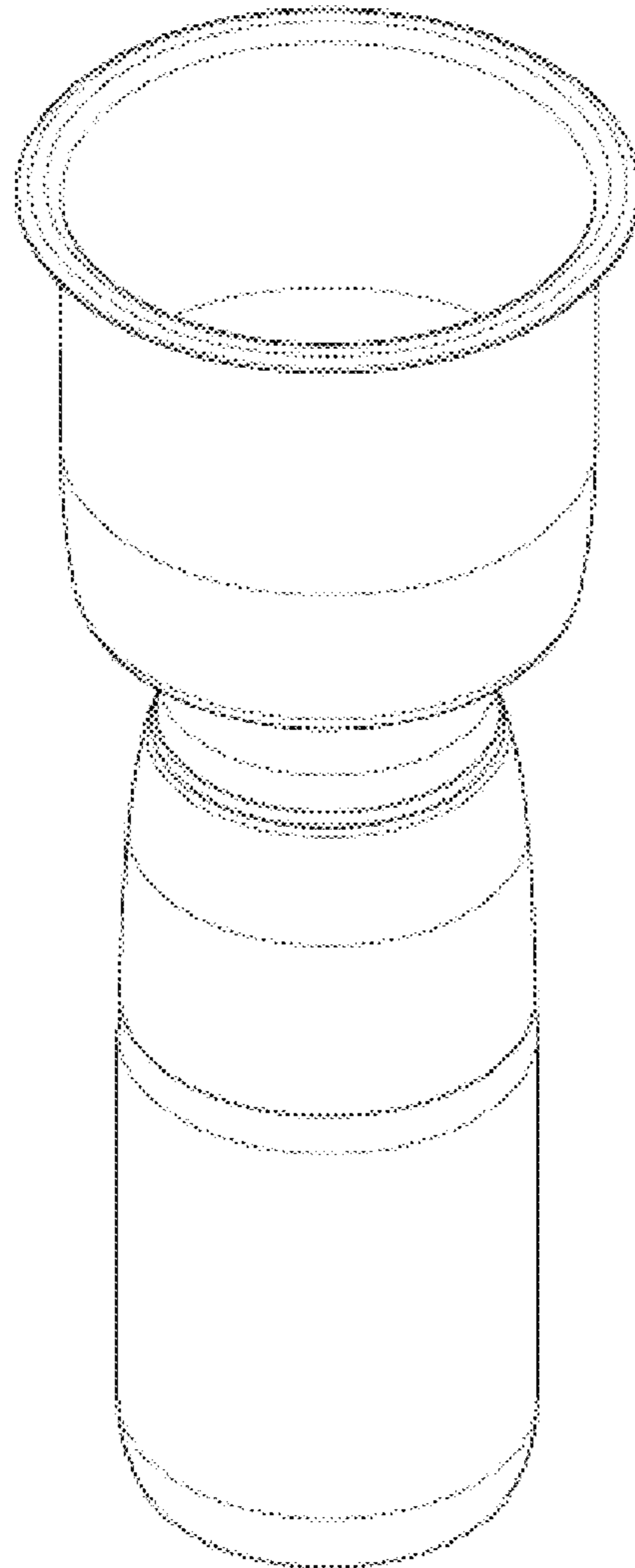


FIG. 7



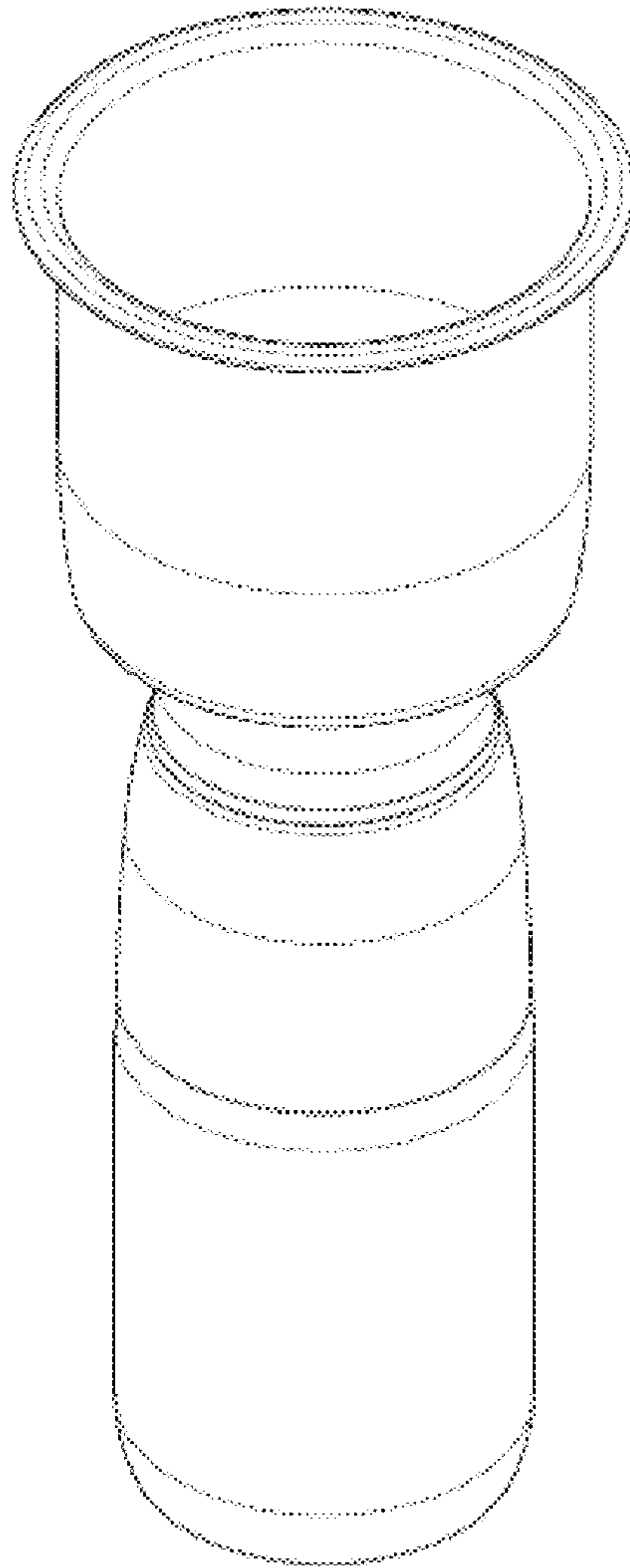


FIG. 8

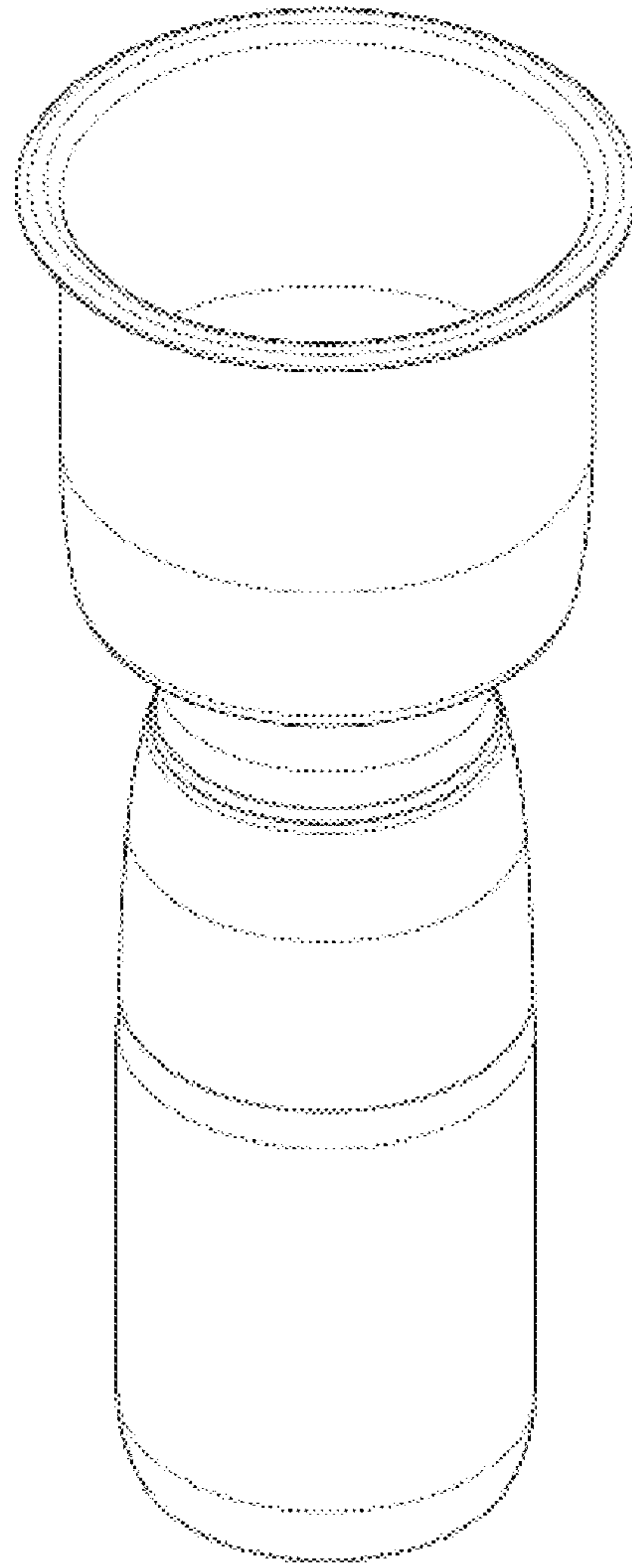


FIG. 9

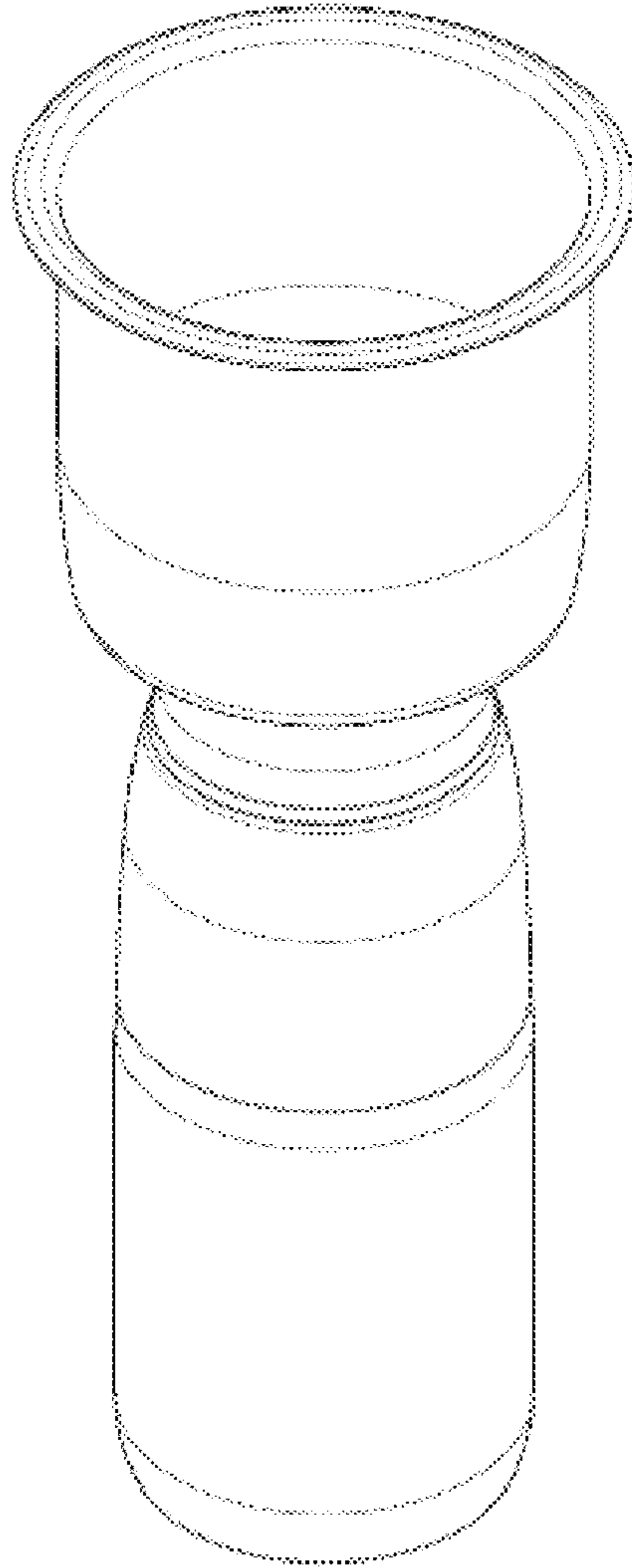


FIG. 10

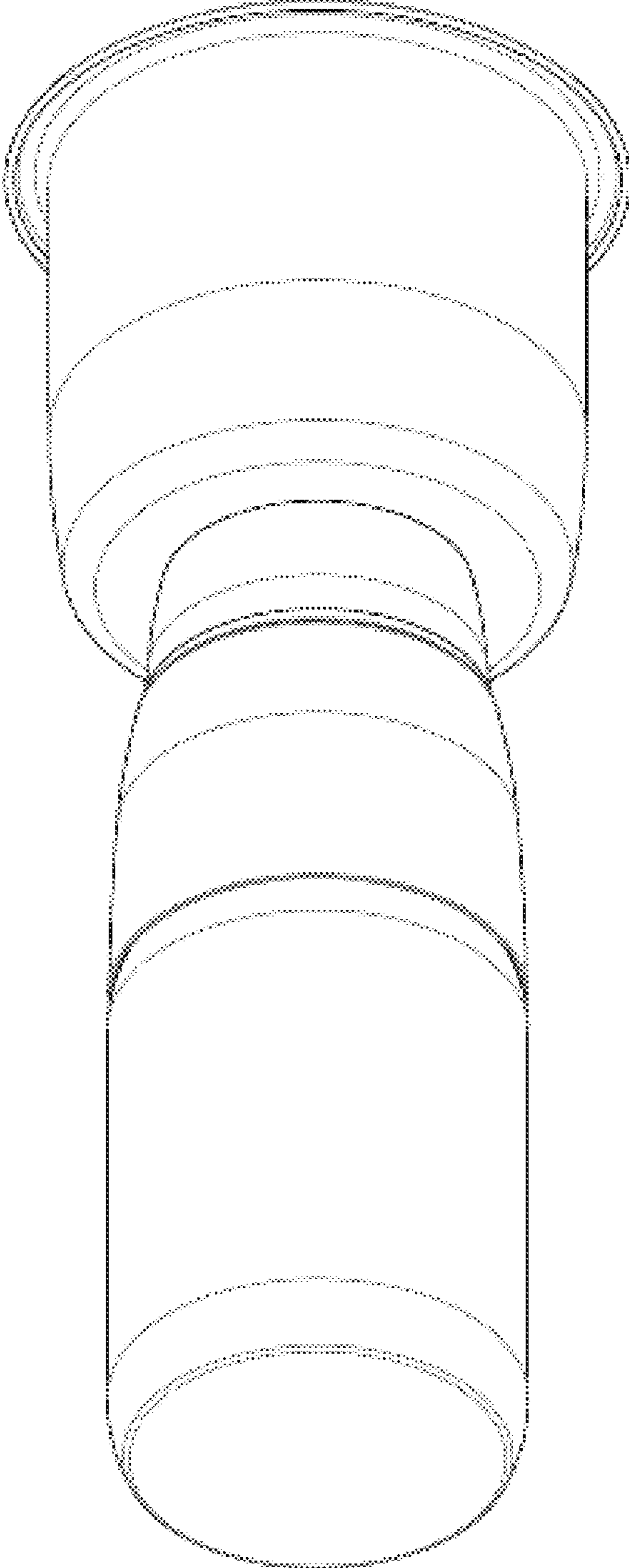


FIG. 11

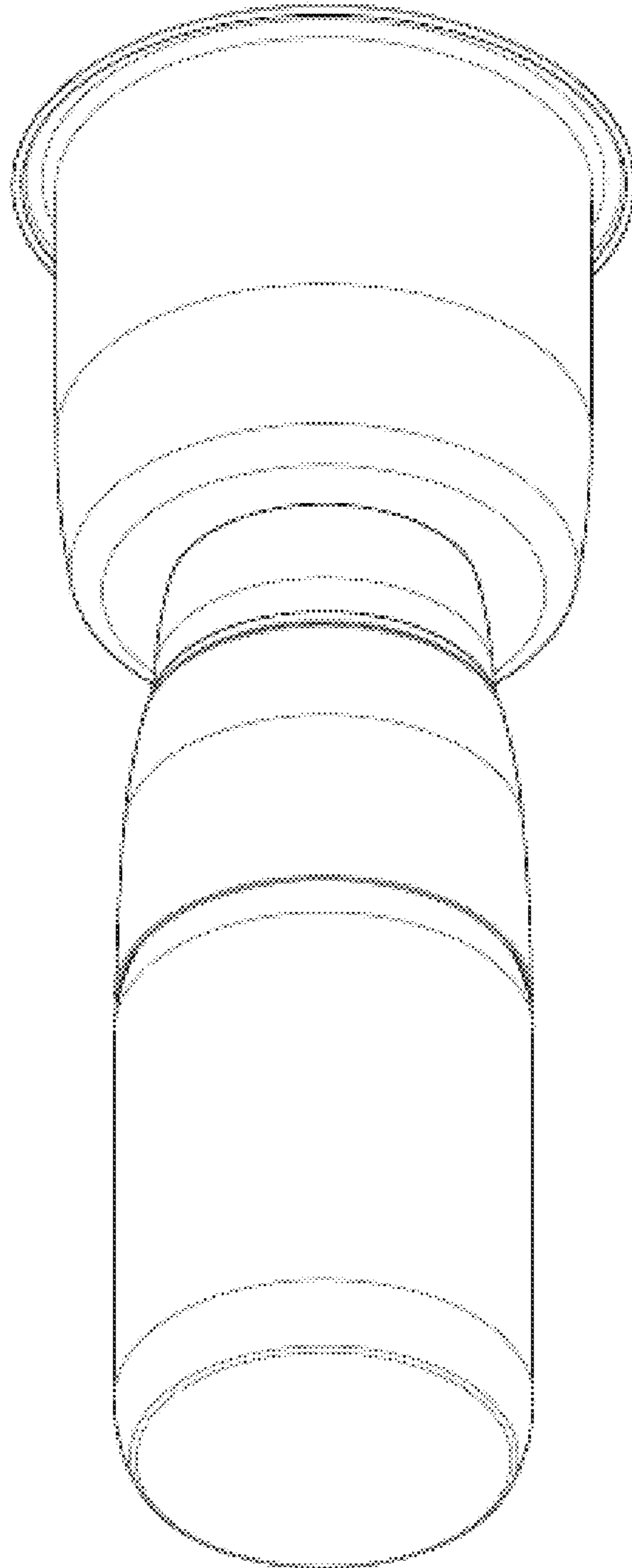


FIG. 12

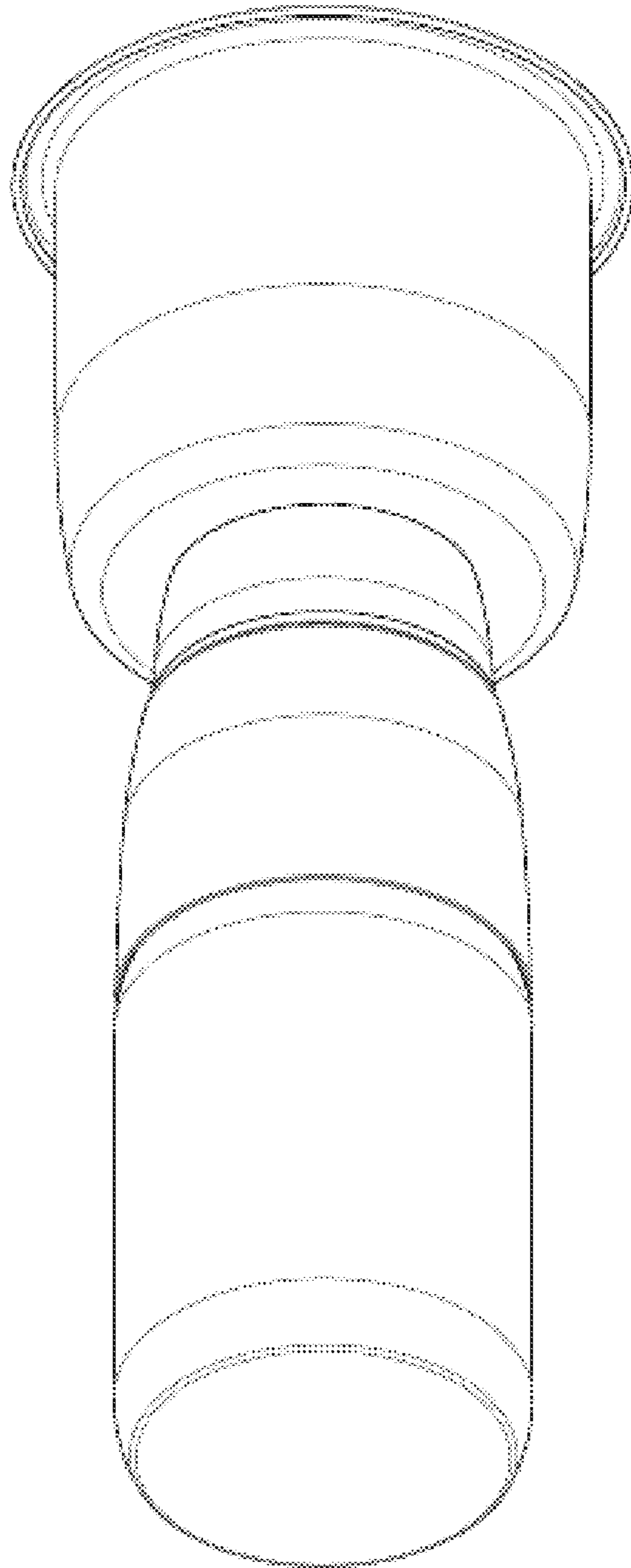


FIG. 13

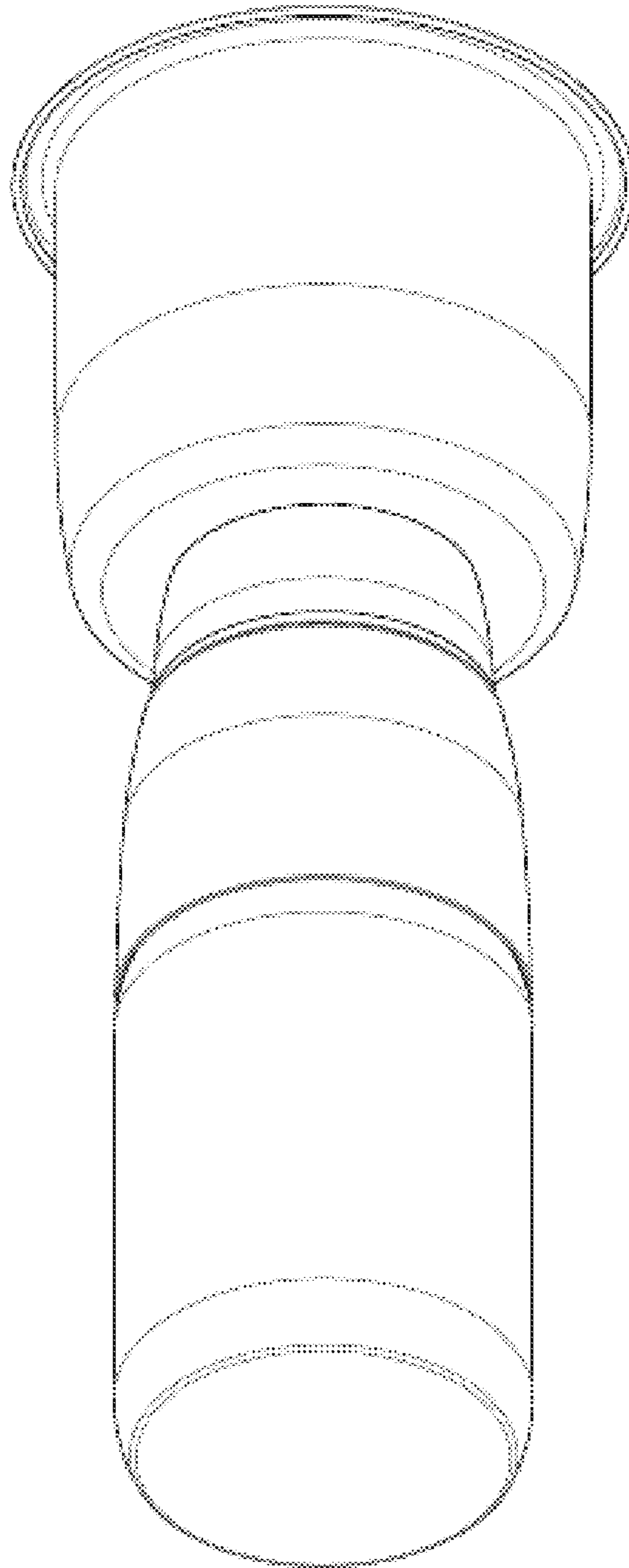


FIG. 14