



US00D885125S

(12) **United States Design Patent** (10) **Patent No.:** **US D885,125 S**  
**Marschke et al.** (45) **Date of Patent:** **\*\* May 26, 2020**

(54) **SHOWERHEAD FOR A COFFEE MAKER**

(71) Applicant: **Spectrum Brands, Inc.**, Middleton, WI (US)

(72) Inventors: **Karl W. Marschke**, Fitchburg, WI (US); **Jared R. Kann**, Middleton, WI (US); **Charles E. Quinn**, Sun Prairie, WI (US)

(73) Assignee: **Spectrum Brands, Inc.**, Middleton, WI (US)

(\*\*) Term: **15 Years**

(21) Appl. No.: **29/657,311**

(22) Filed: **Jul. 20, 2018**

(51) **LOC (12) Cl.** ..... **07-99**

(52) **U.S. Cl.**  
USPC ..... **D7/399**

(58) **Field of Classification Search**  
USPC ..... D7/387, 392, 392.1, 393, 396.1, 397, D7/398, 399, 400, 213; D23/213, 223, D23/229, 259, 260; D9/434, 435, 447; D14/483, 484  
CPC ..... B65D 43/02; B65D 47/08; B05B 1/00; B05B 1/14; B05B 1/18; B05B 1/30; B10D 29/0095; A47J 31/06  
See application file for complete search history.

(56) **References Cited**

U.S. PATENT DOCUMENTS

D316,088 S \* 4/1991 Yamamori ..... D14/484  
D482,464 S \* 11/2003 Baldo ..... D26/3  
D624,054 S \* 9/2010 Lazzeroni ..... D14/221  
D674,876 S \* 1/2013 Chibitty ..... D23/213

D775,710 S \* 1/2017 Kim ..... D22/137  
D810,503 S \* 2/2018 Murosky ..... D7/392.1  
D832,398 S \* 10/2018 Lin ..... D23/223  
D855,759 S \* 8/2019 Winter ..... D23/223  
2013/0299608 A1\* 11/2013 Spangler ..... B05B 1/08  
239/444  
2015/0334928 A1\* 11/2015 Kort ..... A01G 9/126  
47/62 R

\* cited by examiner

*Primary Examiner* — Derrick E Holland  
*Assistant Examiner* — Andrew Kerr

(74) *Attorney, Agent, or Firm* — Banner & Witcoff, Ltd.

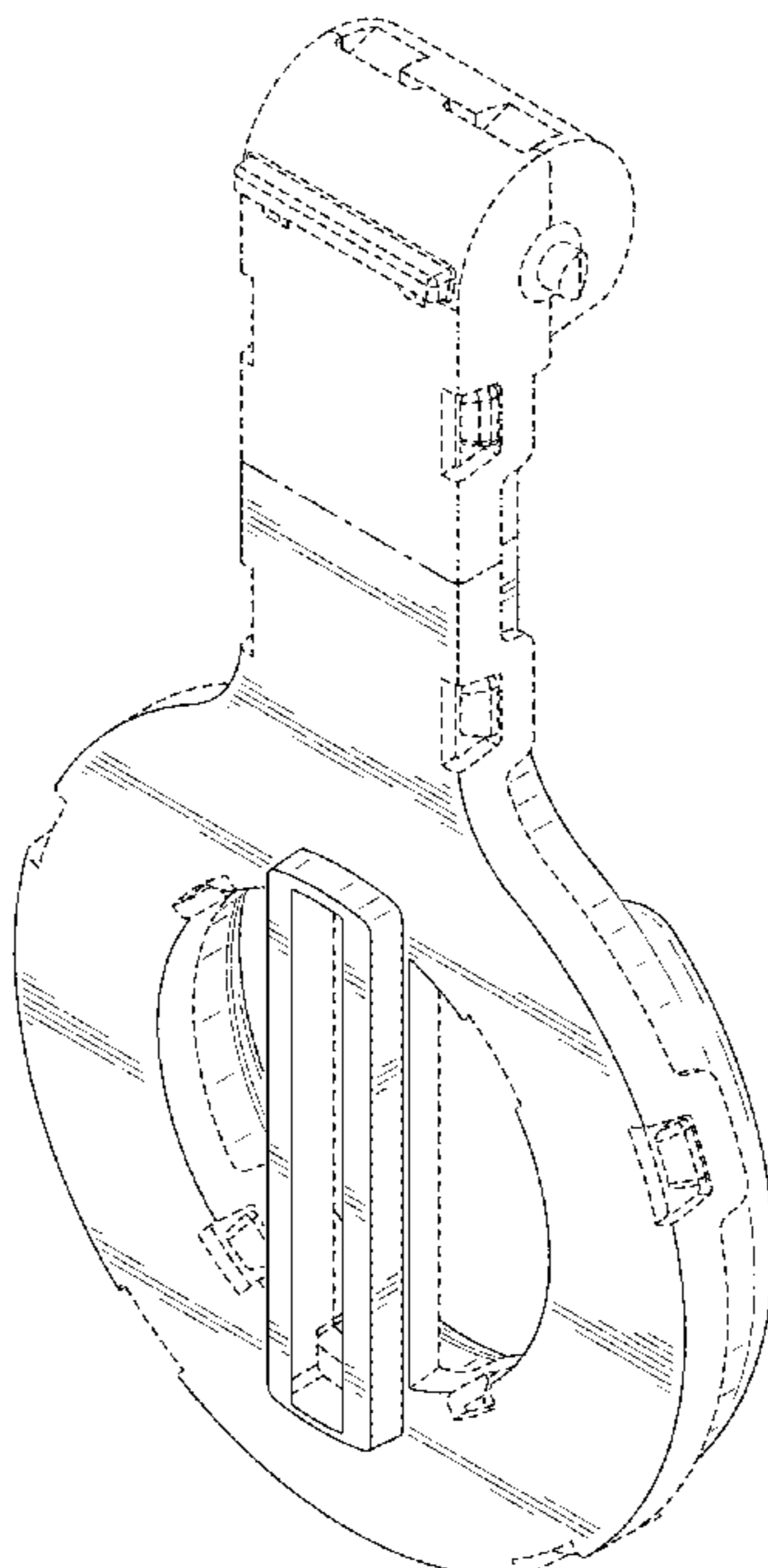
(57) **CLAIM**

The ornamental design for a showerhead for a coffee maker, as shown and described.

**DESCRIPTION**

FIG. 1 is a top right perspective view of a showerhead for a coffee maker showing our new design;  
FIG. 2 is a top left perspective view thereof;  
FIG. 3 is a top view thereof;  
FIG. 4 is a bottom right perspective view thereof;  
FIG. 5 is a bottom left perspective view thereof;  
FIG. 6 is a bottom view thereof;  
FIG. 7 is a right side view thereof;  
FIG. 8 is a left side view thereof;  
FIG. 9 is a rear view thereof;  
FIG. 10 is a front view thereof; and,  
FIG. 11 is a second bottom right perspective view thereof.  
The even-length and uneven-length broken lines immediately adjacent to the shaded areas represent the bounds of the claimed design and form no part thereof. The even-length broken lines depicting the remainder of the showerhead show features that form no part of the claimed design.

**1 Claim, 9 Drawing Sheets**



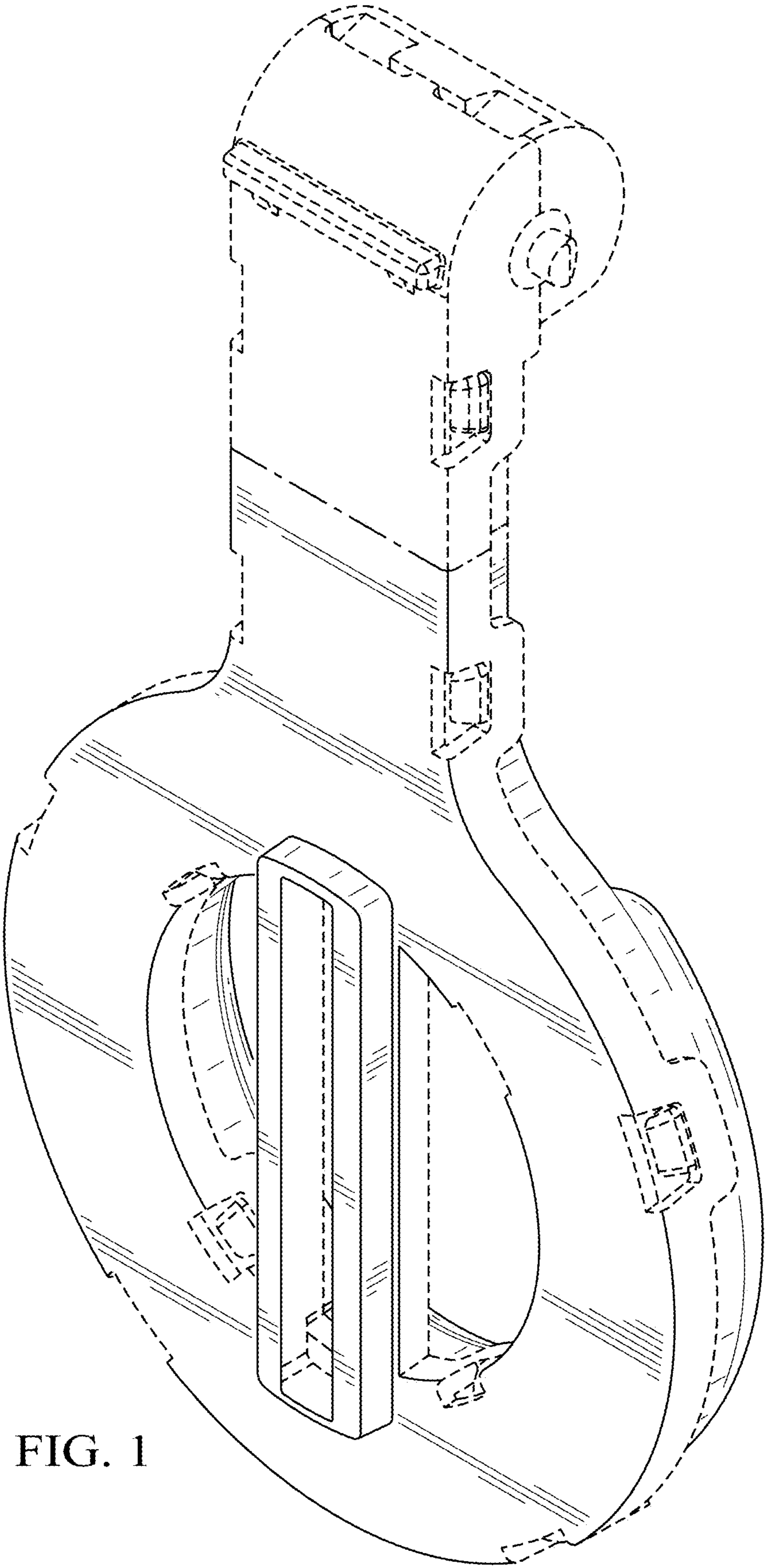


FIG. 1

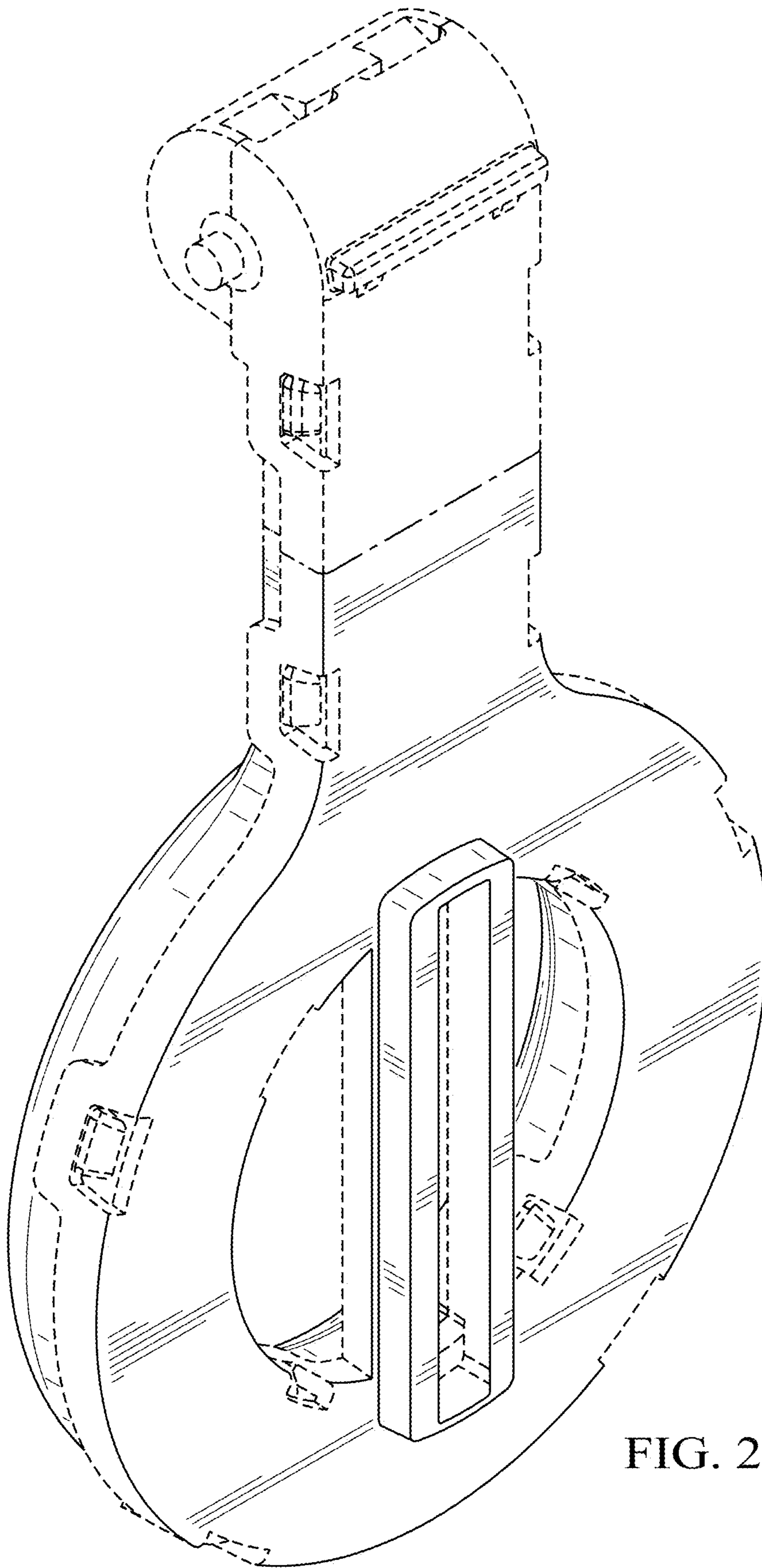


FIG. 2

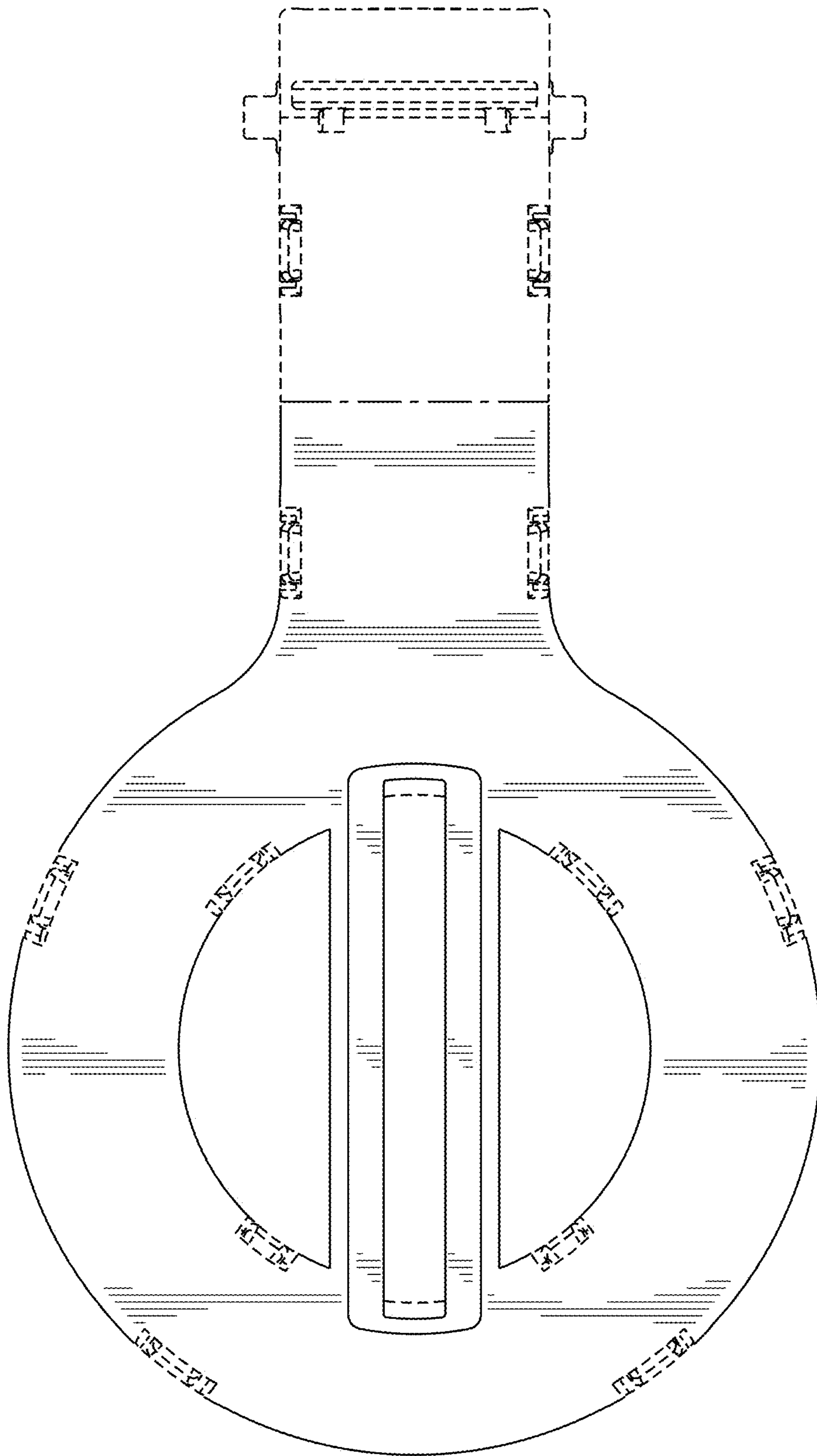


FIG. 3

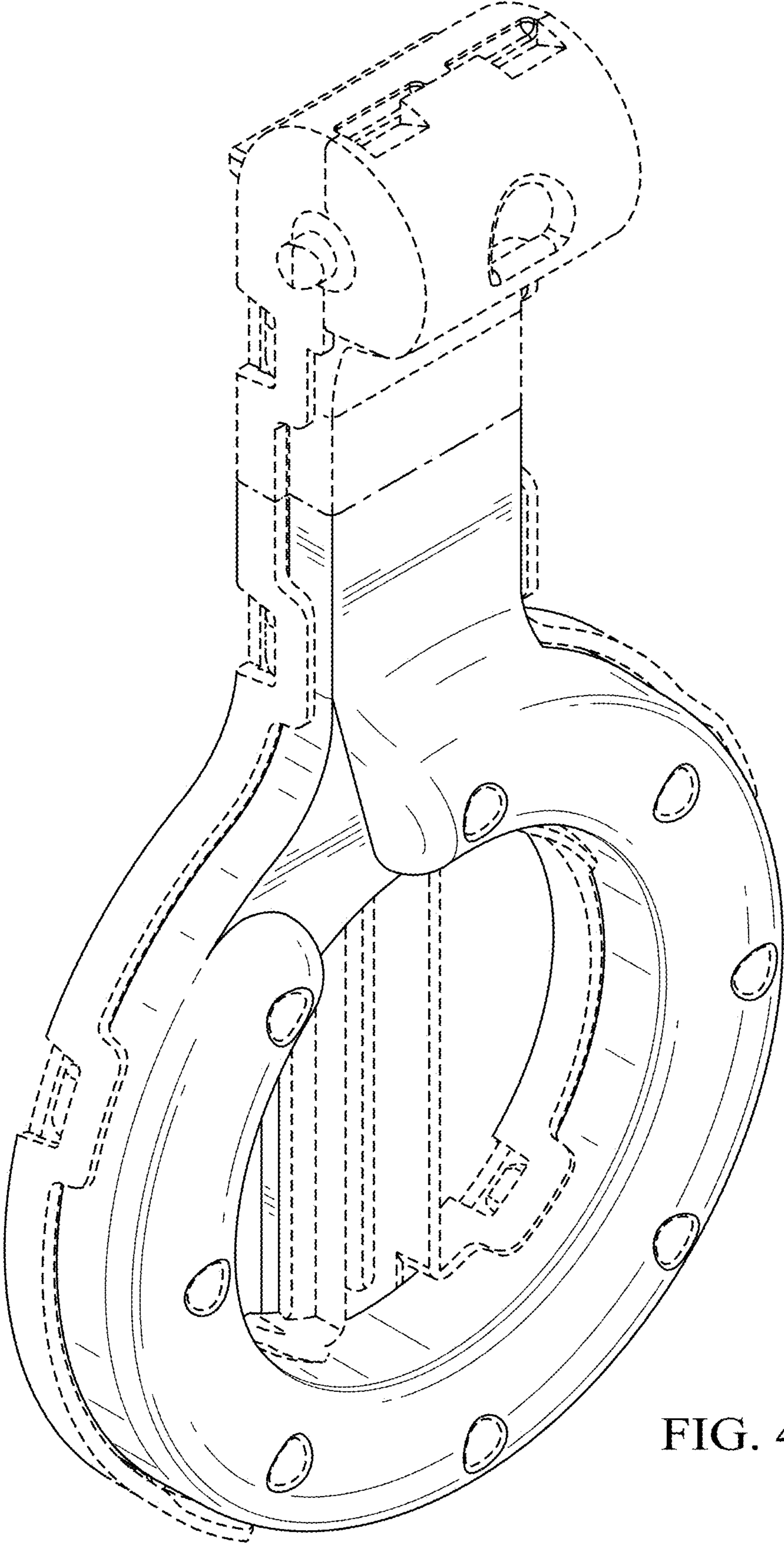


FIG. 4

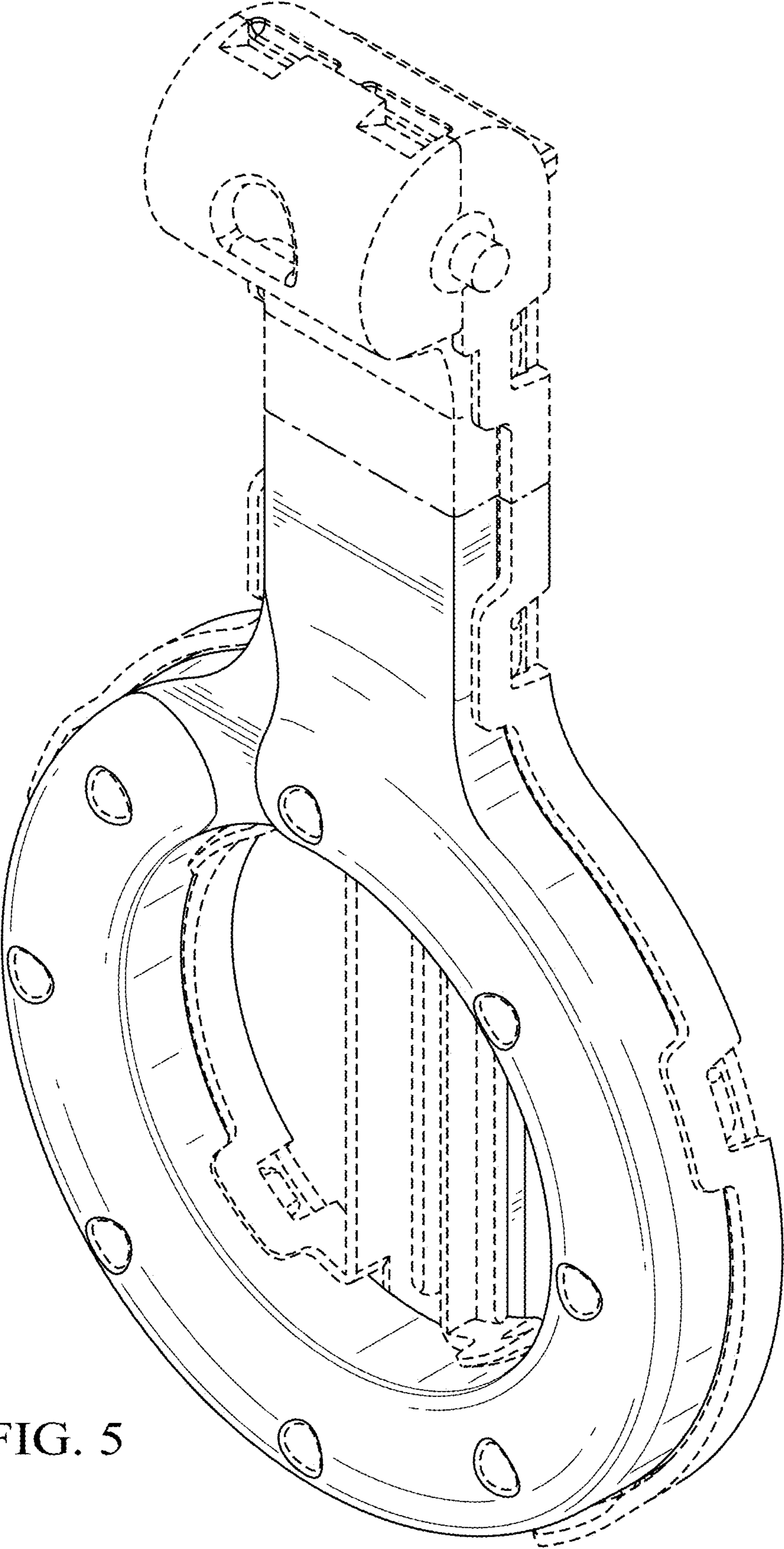


FIG. 5

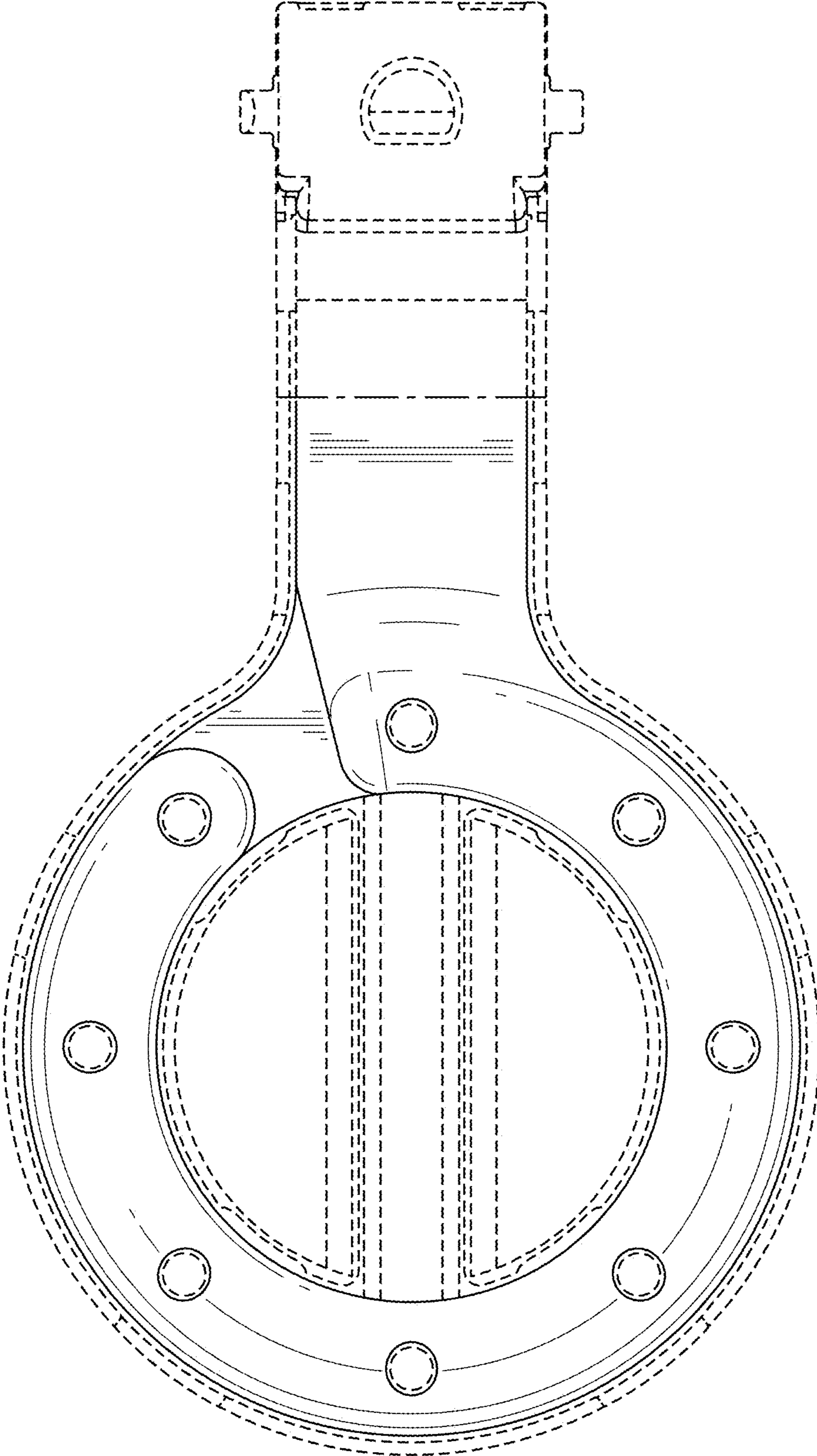


FIG. 6

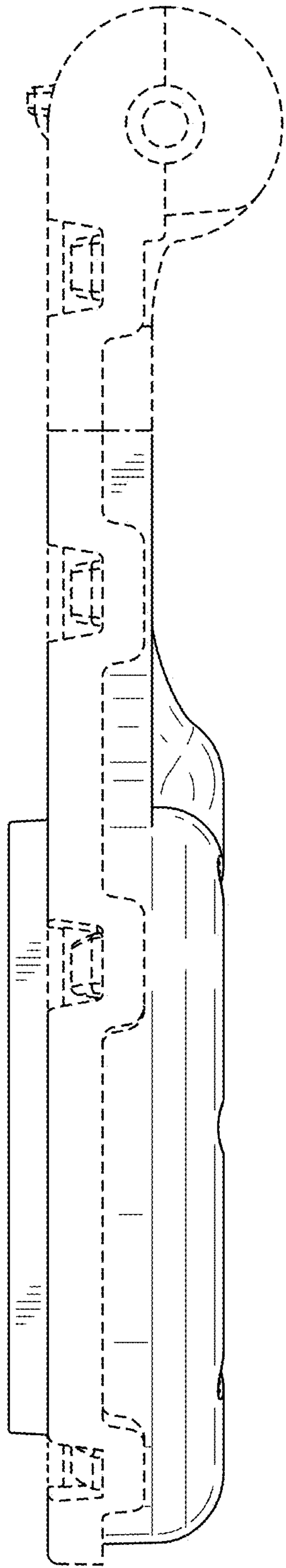


FIG. 7

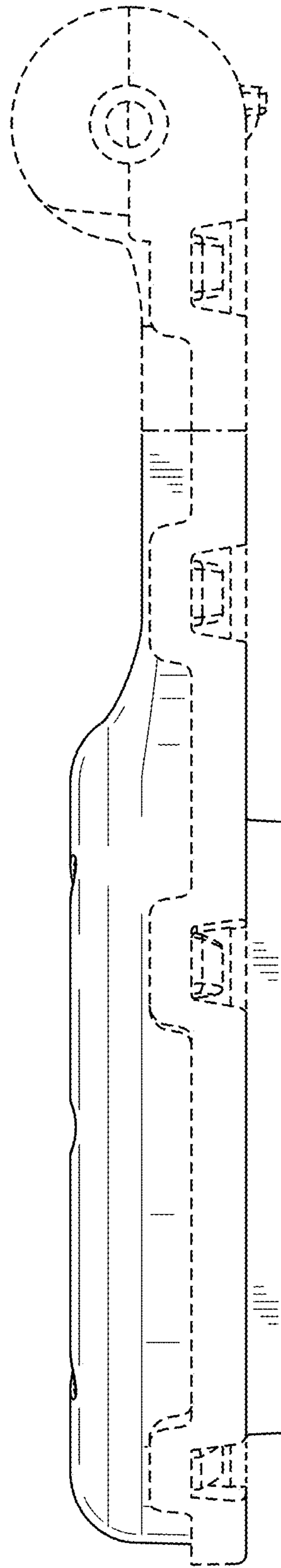


FIG. 8



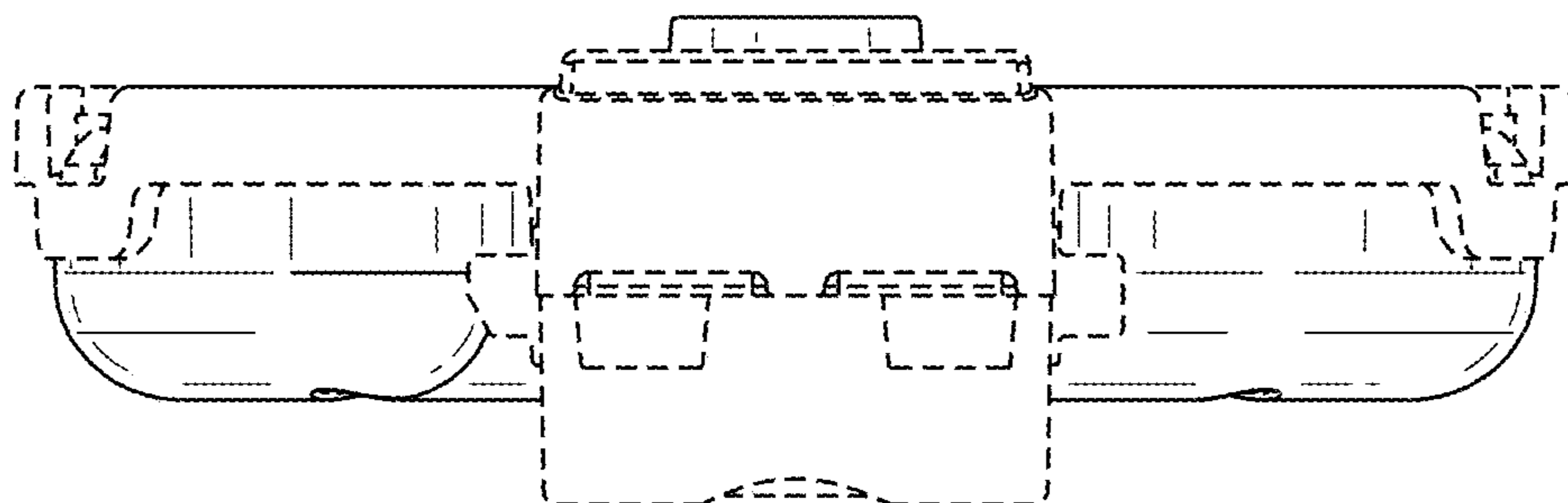


FIG. 9

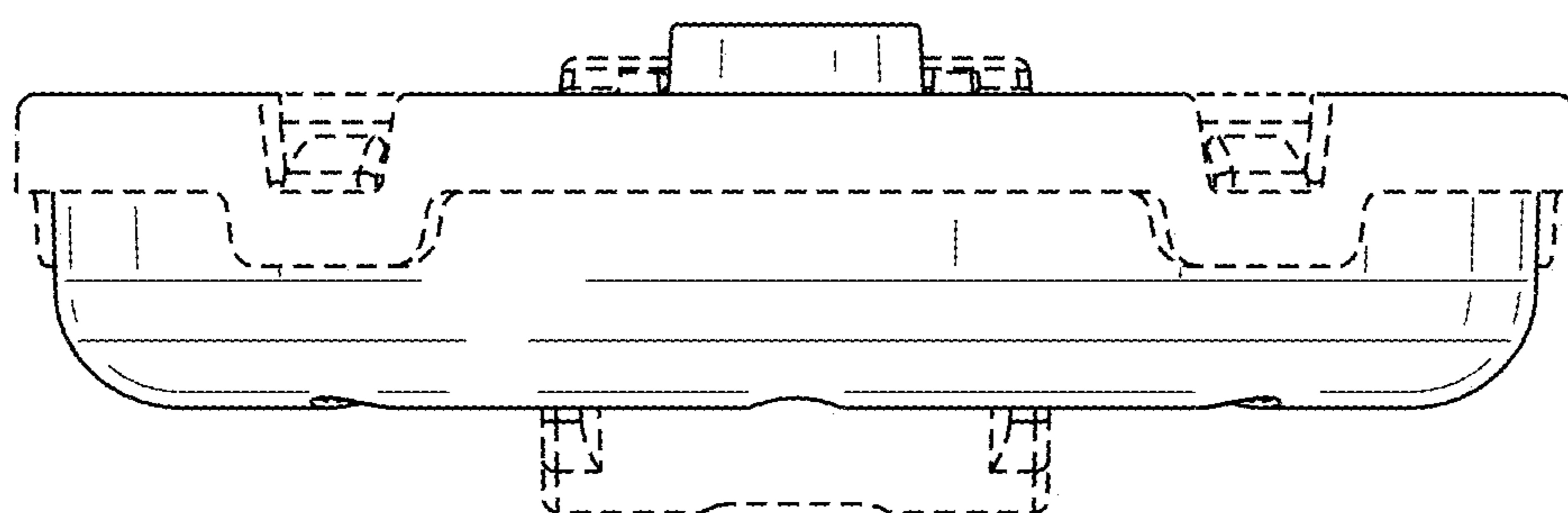


FIG. 10

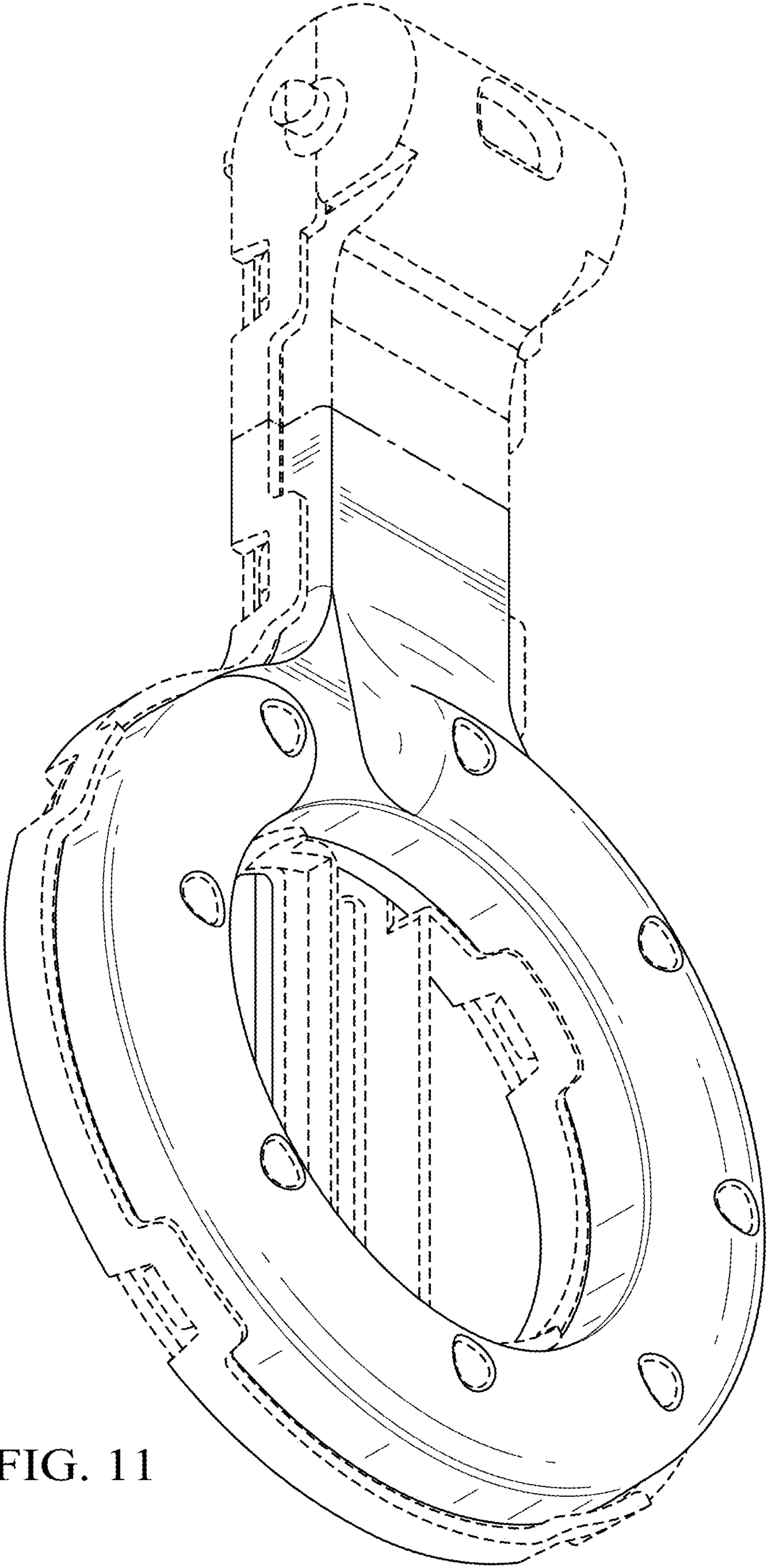


FIG. 11