



US00D885124S

(12) **United States Design Patent** (10) **Patent No.:** **US D885,124 S**
Yessin et al. (45) **Date of Patent:** **** *May 26, 2020**

(54) **CAP FOR DRINKING FLASK**

(74) *Attorney, Agent, or Firm* — Taylor J. Ross

(71) Applicant: **Dart Industries Inc.**, Orlando, FL (US)

(57) **CLAIM**

(72) Inventors: **Julie L. Yessin**, San Francisco, CA (US); **Lee A. Cooper**, Gulf Shores, AL (US)

The ornamental design for a cap for drinking flask, as shown and described.

(*) Notice: This patent is subject to a terminal disclaimer.

DESCRIPTION

(**) Term: **15 Years**

(21) Appl. No.: **29/594,569**

(22) Filed: **Feb. 21, 2017**

FIG. 1 is a top, front and left side perspective view of a cap for drinking flask showing our new design, shown in the closed position;

FIG. 2 is a bottom, front and right side perspective view thereof;

FIG. 3 is a top plan view thereof;

FIG. 4 is a bottom plan view thereof;

FIG. 5 is a front elevation view thereof;

FIG. 6 is a rear elevation view thereof;

FIG. 7 left side elevation view, the right side elevation being a mirror image thereof;

FIG. 8 is a cross-sectional view taken along line 8-8 of FIG. 3;

FIG. 9 is a cross-sectional view taken along line 9-9 of FIG. 3;

FIG. 10 is a top, front and left side perspective view of a cap for drinking flask showing our new design, shown in the open position;

FIG. 11 is a bottom, front and right side perspective view thereof;

FIG. 12 is a top plan view thereof;

FIG. 13 is a bottom plan view thereof;

FIG. 14 is a front elevation view thereof;

FIG. 15 is a rear elevation view thereof;

FIG. 16 left side elevation view, the right side elevation being a mirror image thereof; and,

FIG. 17 is a cross-sectional view taken along line 17-17 of FIG. 12.

The evenly broken lines are shown for the purpose of illustrating parts of the article that form no part of the claim. The dot-dash lines represent the boundaries of the claim and form no part thereof.

Related U.S. Application Data

(63) Continuation-in-part of application No. 29/594,566, filed on Feb. 21, 2017, now abandoned.

(51) **LOC (12) Cl.** **07-99**

(52) **U.S. Cl.**
USPC **D7/396.2**

(58) **Field of Classification Search**

USPC D3/202; D7/300, 300.1, 313, 314, 316, D7/387, 392, 392.1, 393, 396.1, 392.2, D7/396.2, 397, 398, 401.1, 436, 509, 510, D7/511, 523, 525, 526, 527, 528, 538, D7/589, 590, 591, 602, 619.1, 900; D9/434, 435, 436, 437, 438, 440, 443, D9/445, 446, 447, 448, 449, 452, 453,

(Continued)

(56) **References Cited**

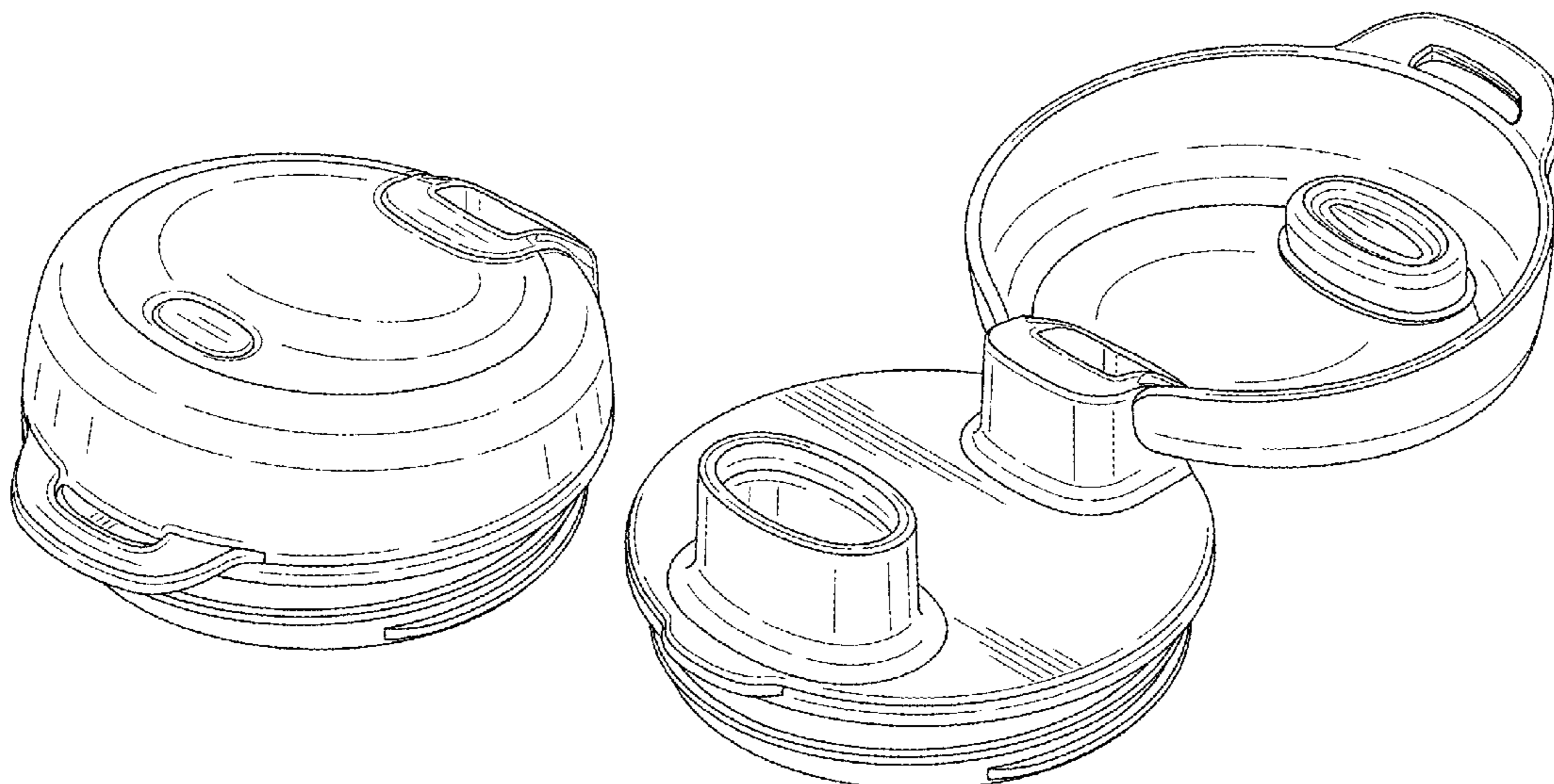
U.S. PATENT DOCUMENTS

D451,023 S * 11/2001 Kitamura D9/449
D634,628 S * 3/2011 Goto D7/900
D635,019 S * 3/2011 Goto D7/900

(Continued)

Primary Examiner — Catherine S Posthauer

1 Claim, 7 Drawing Sheets



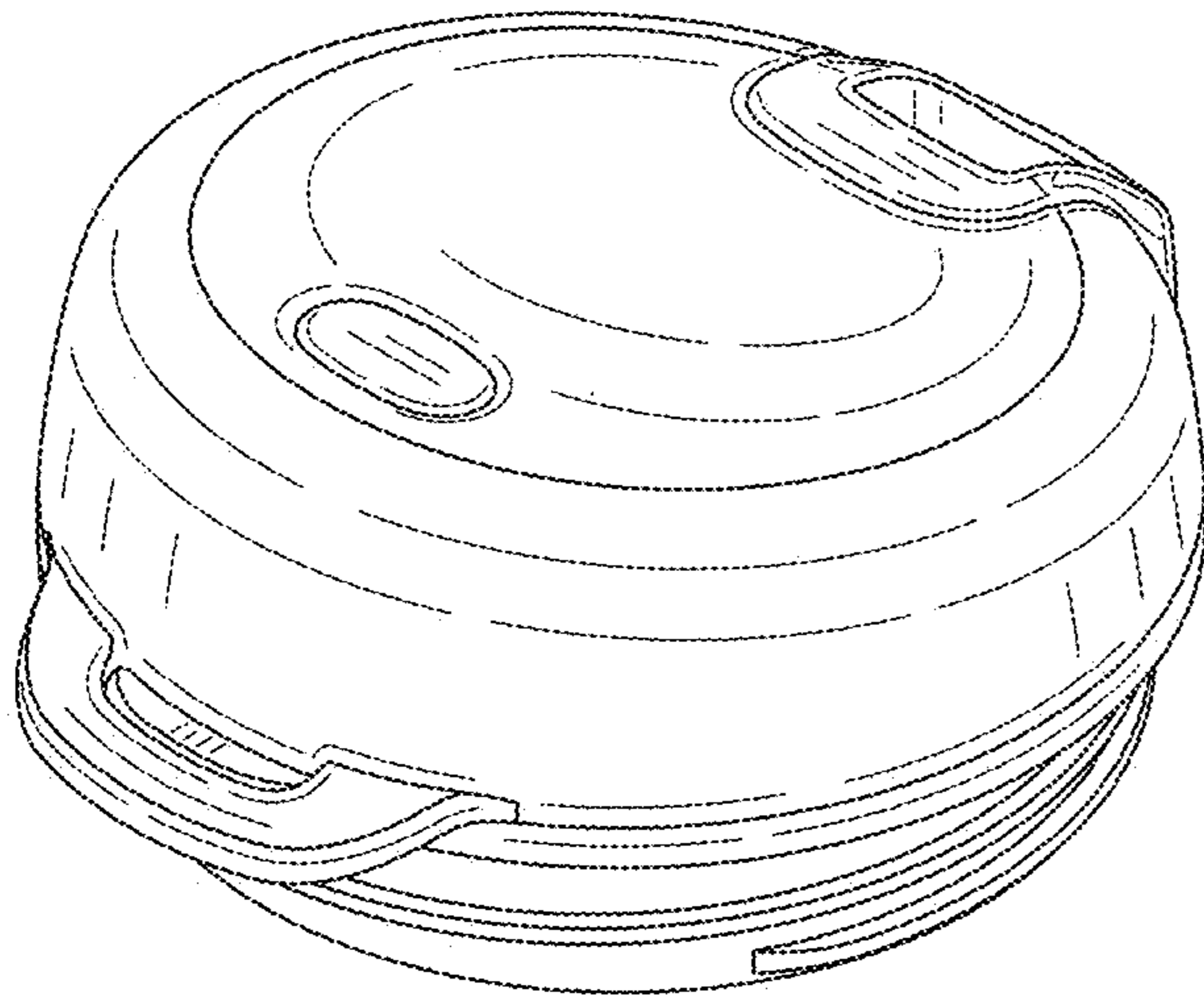


FIG. 1

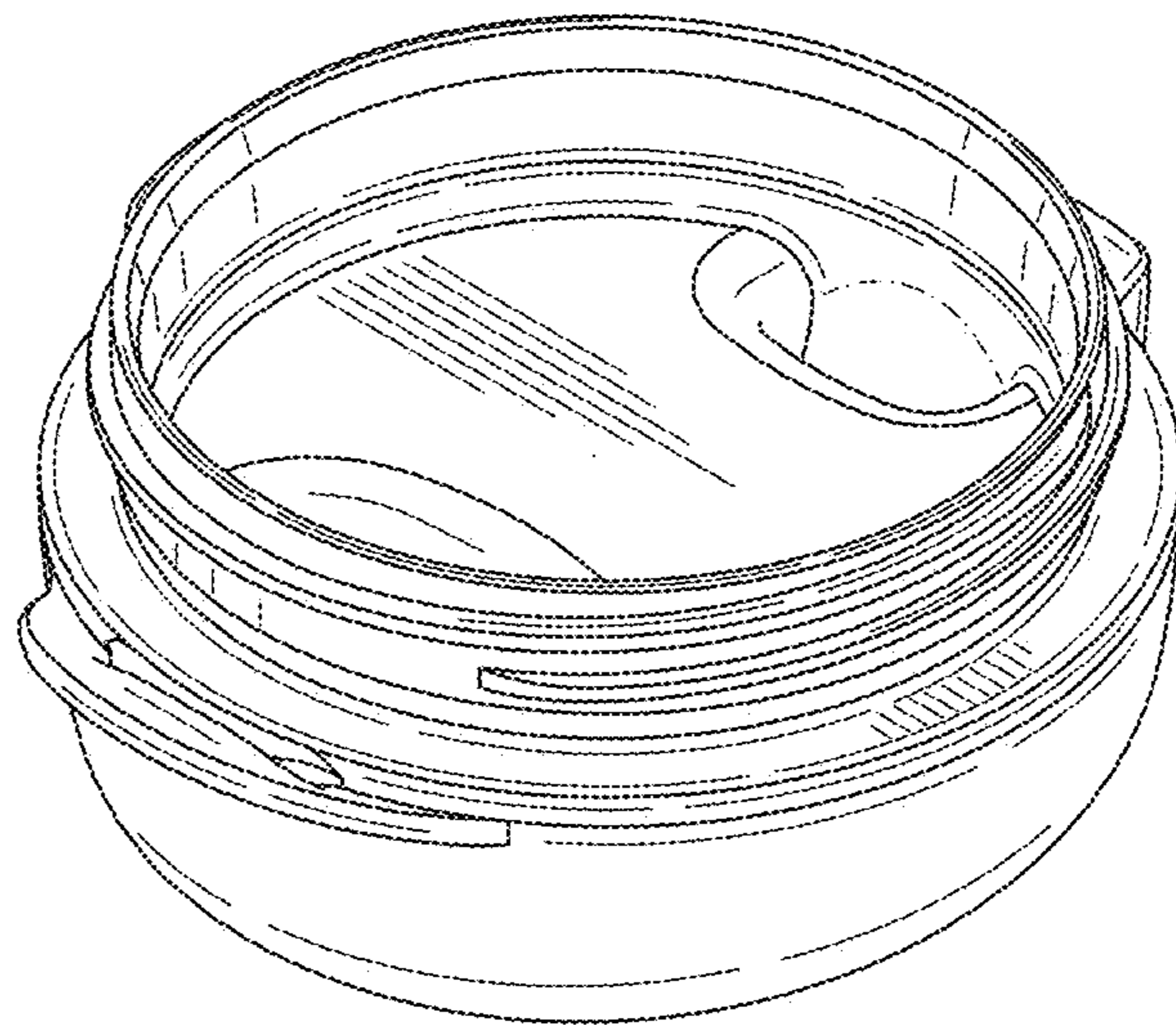


FIG. 2

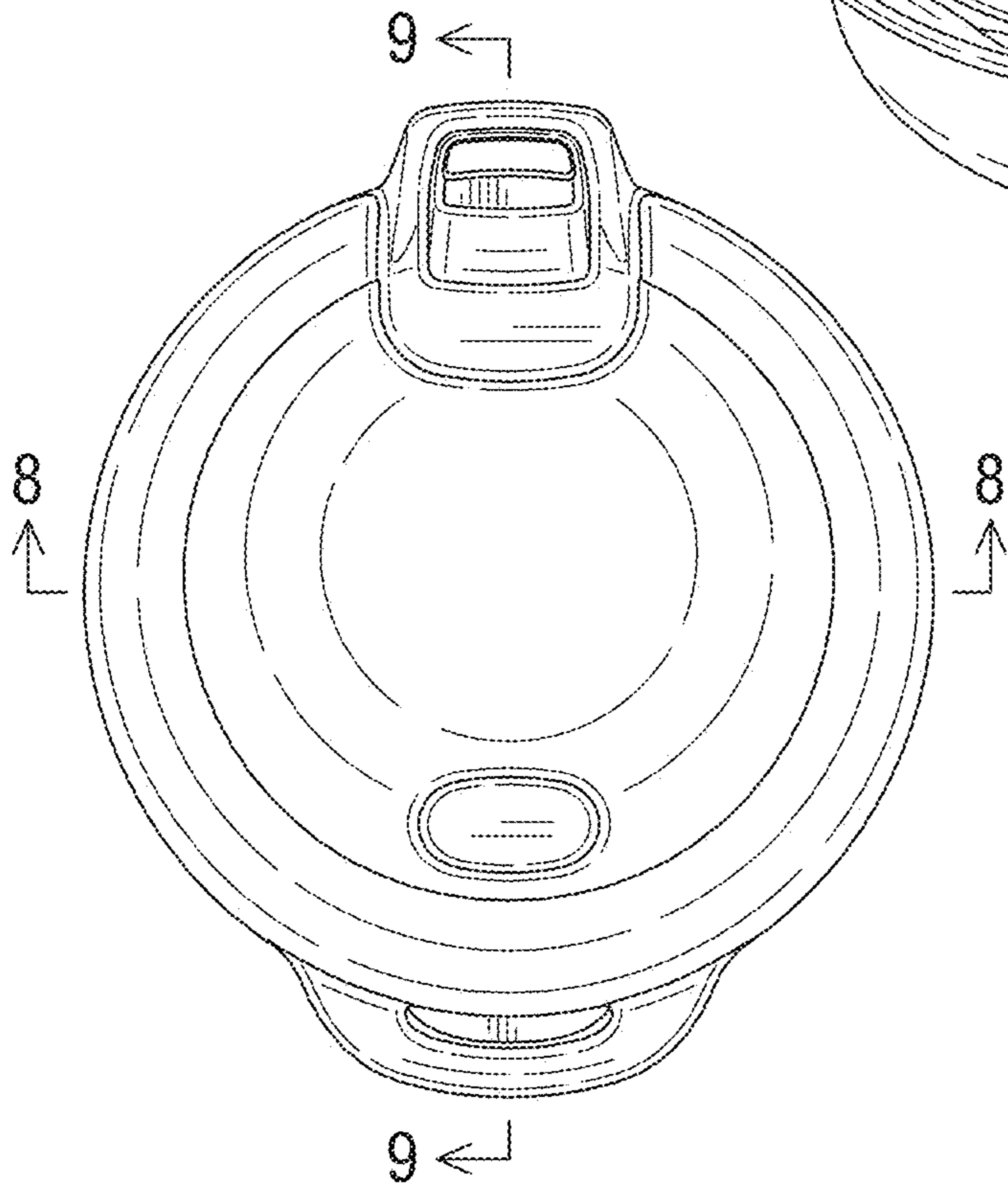


FIG. 3

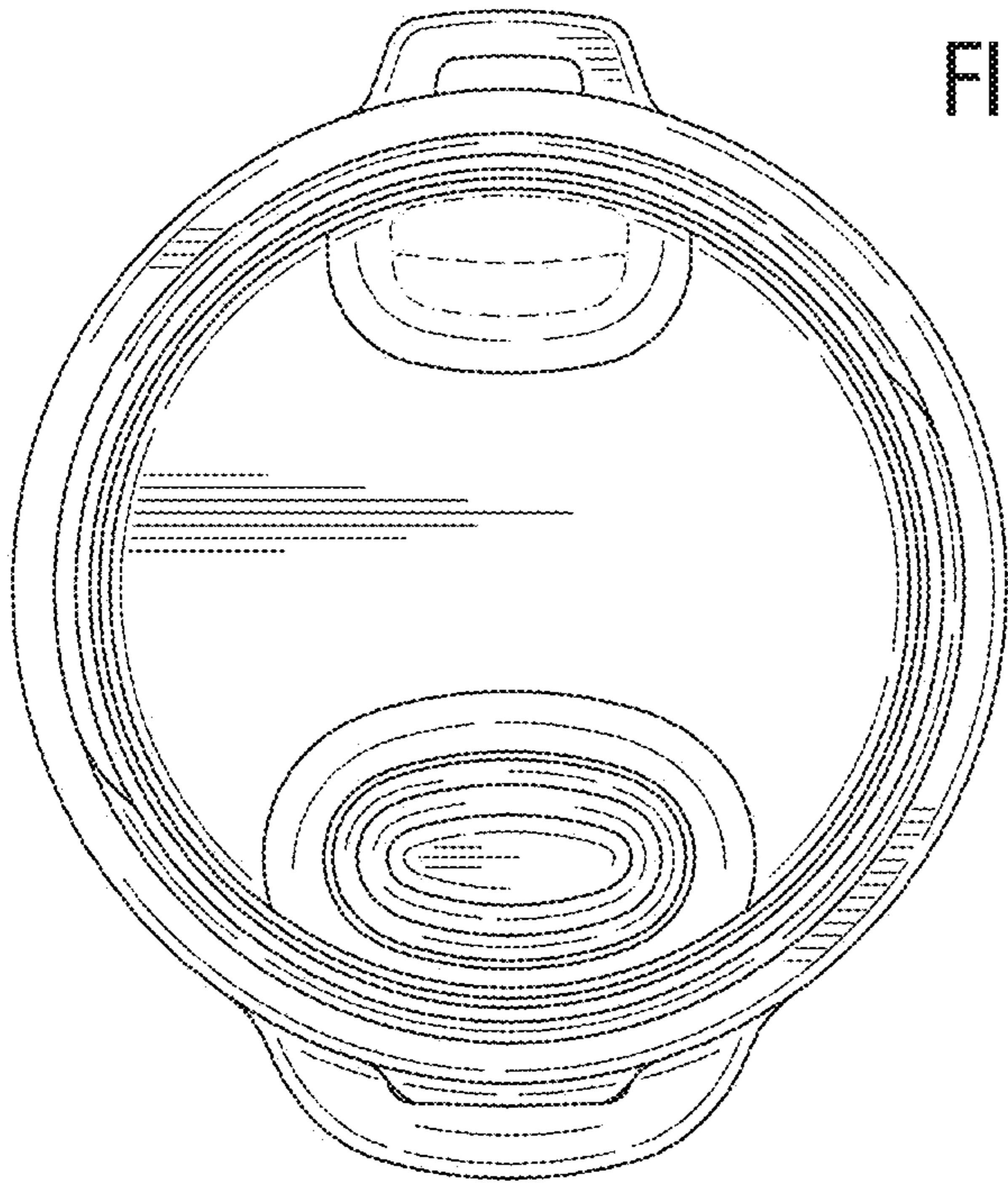


FIG. 4

FIG. 5

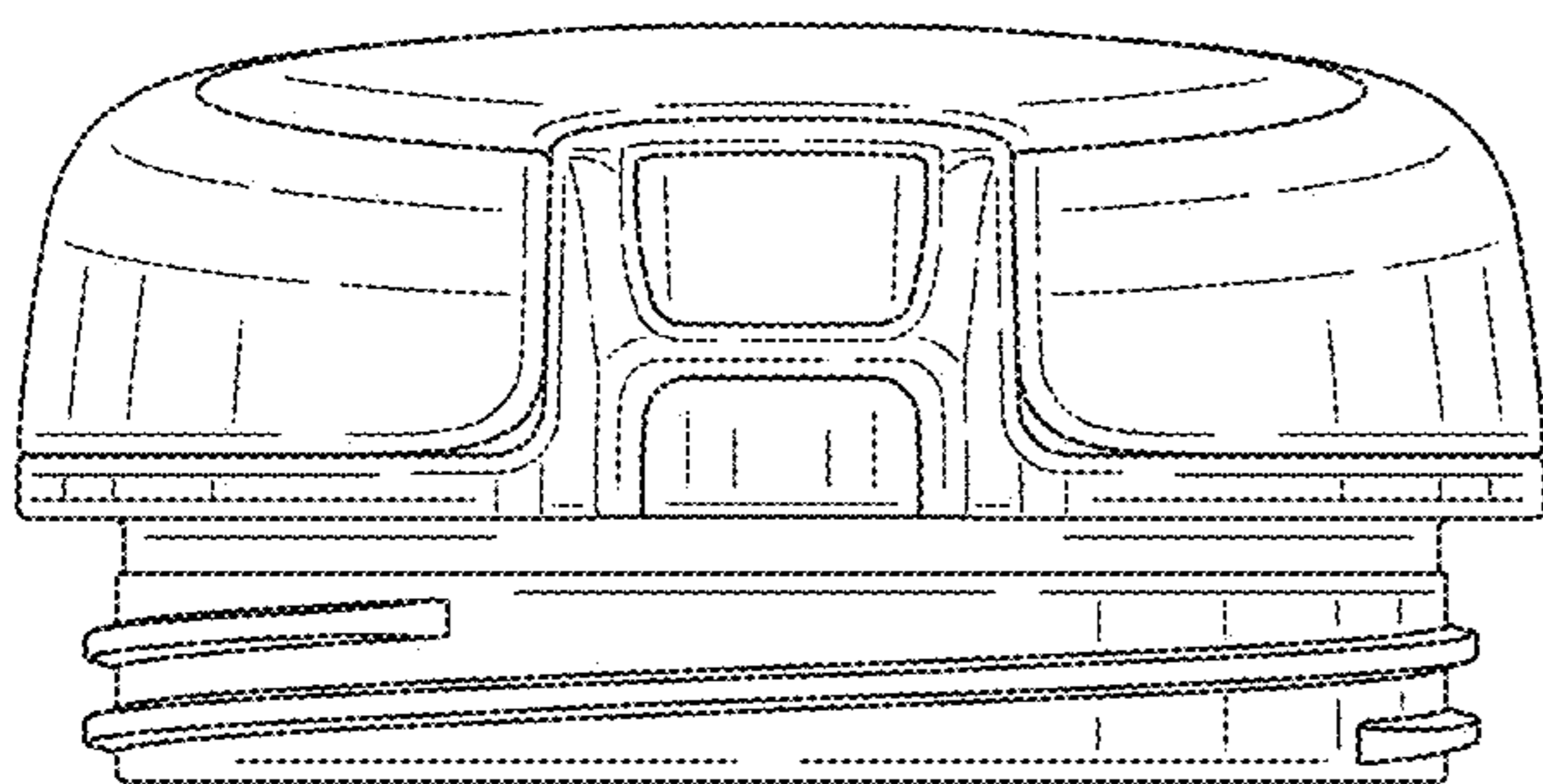
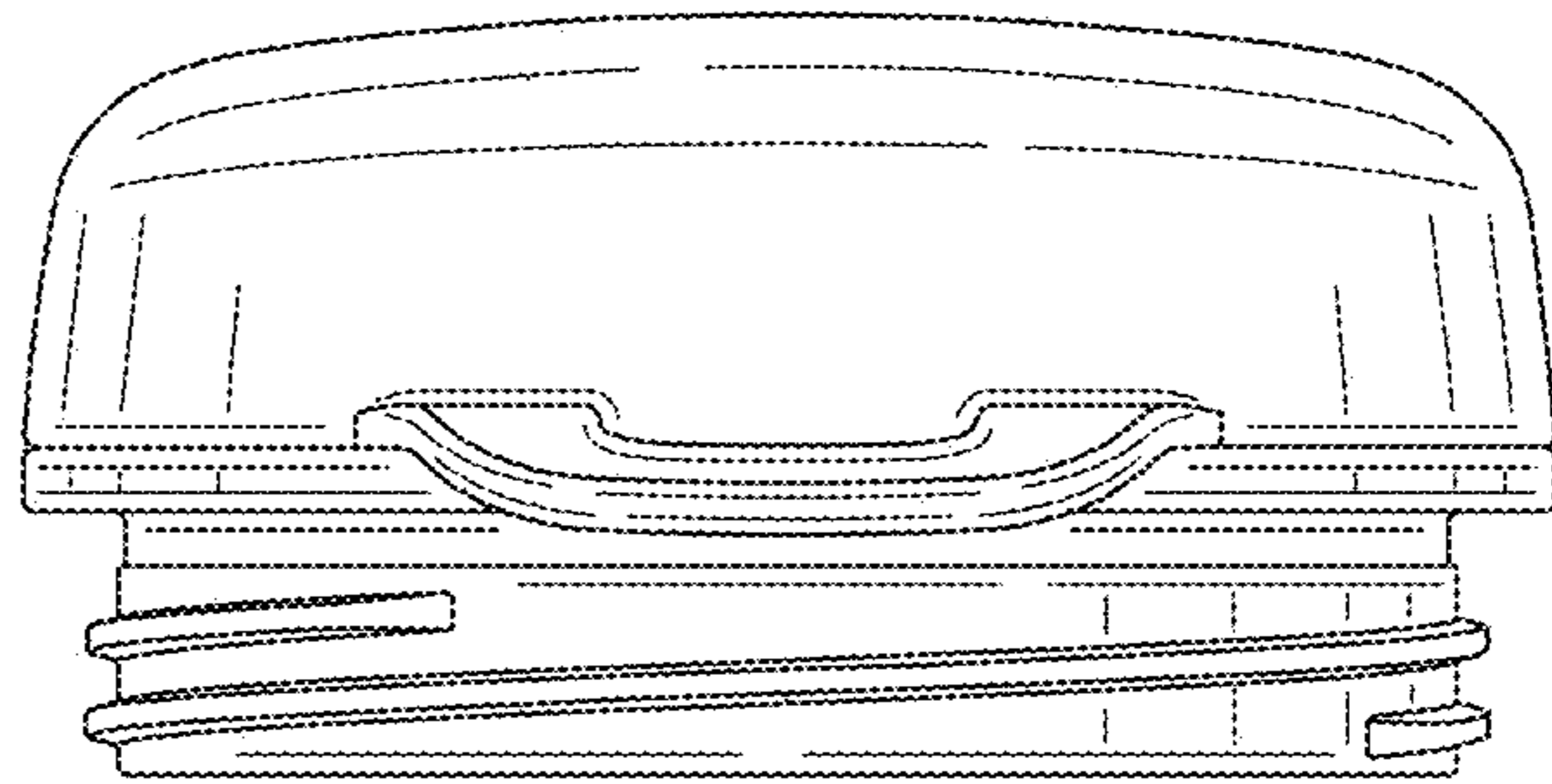


FIG. 6

FIG. 7

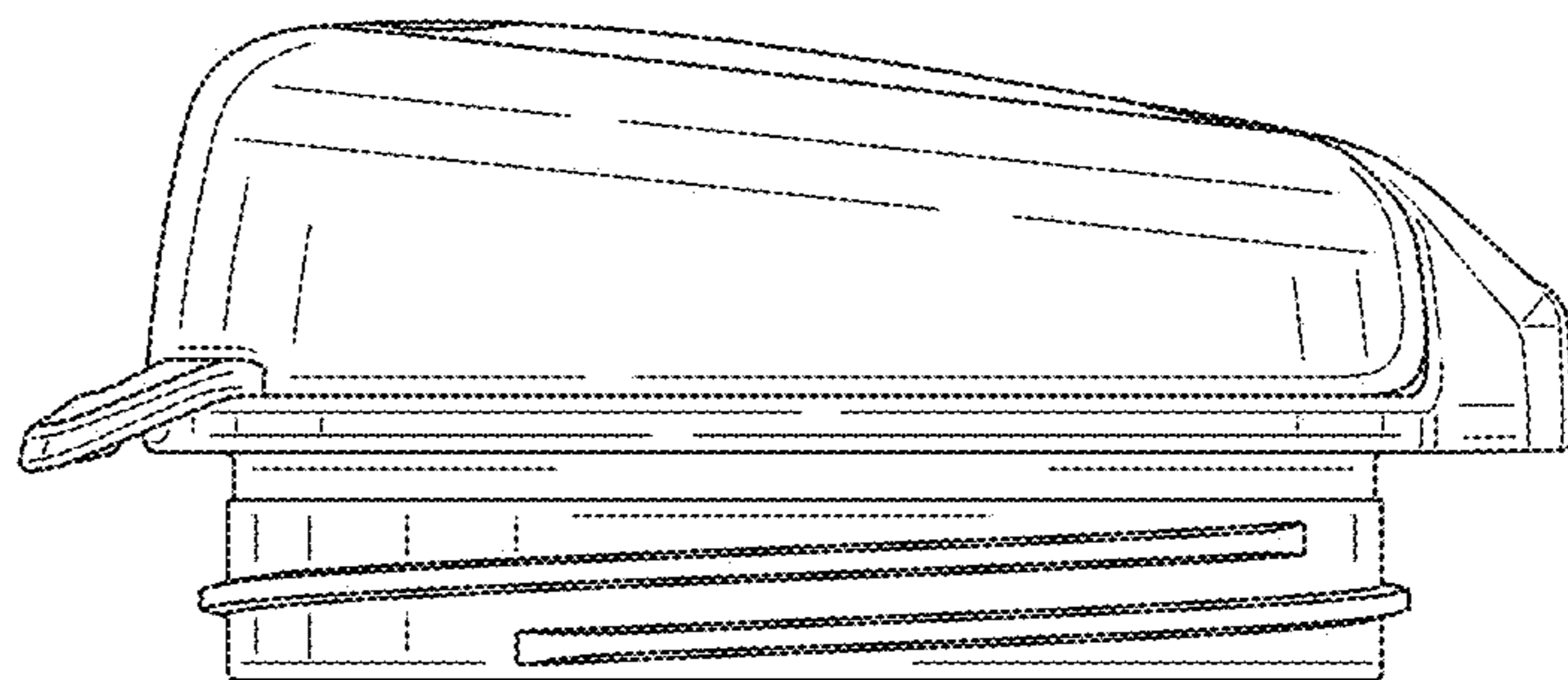


FIG. 8

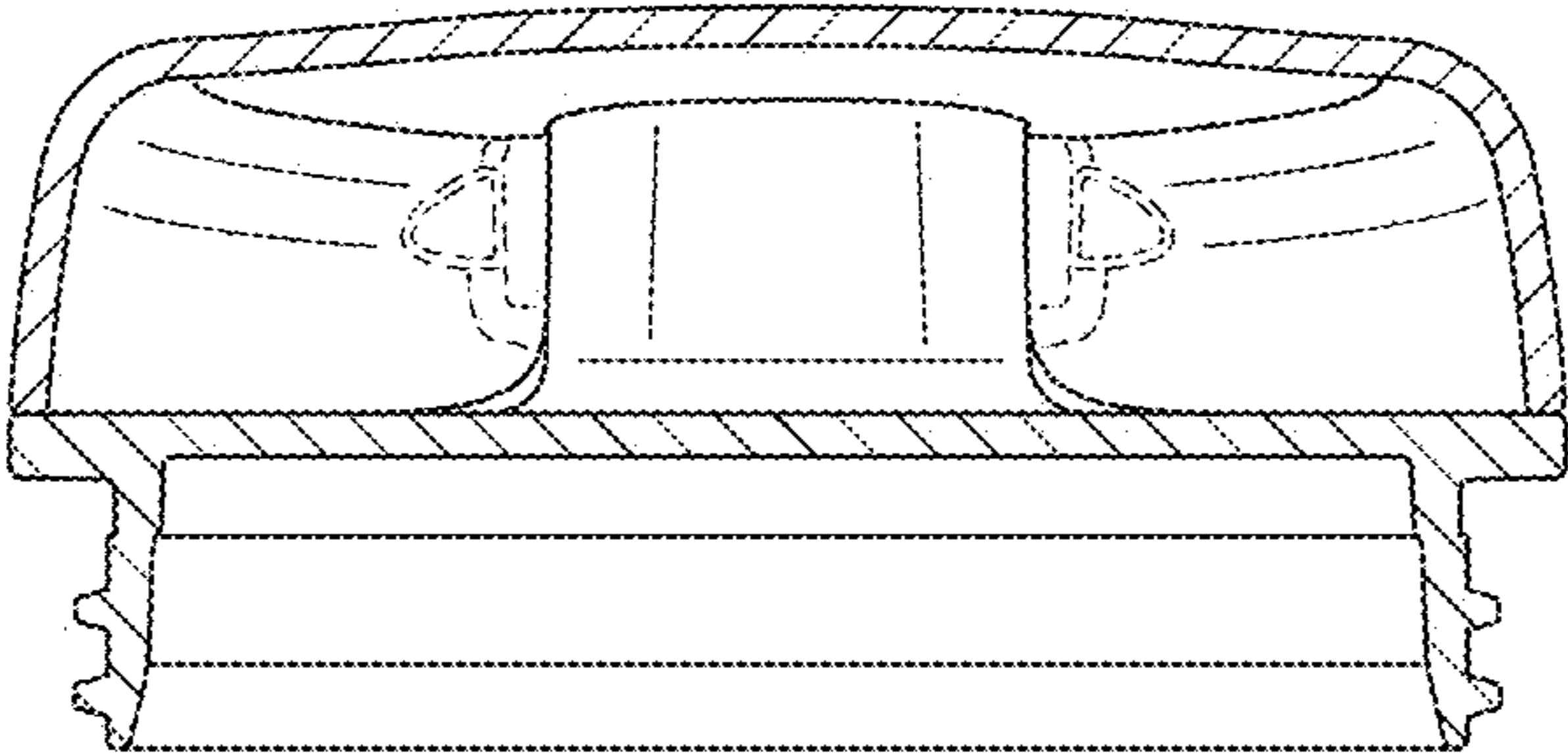


FIG. 9

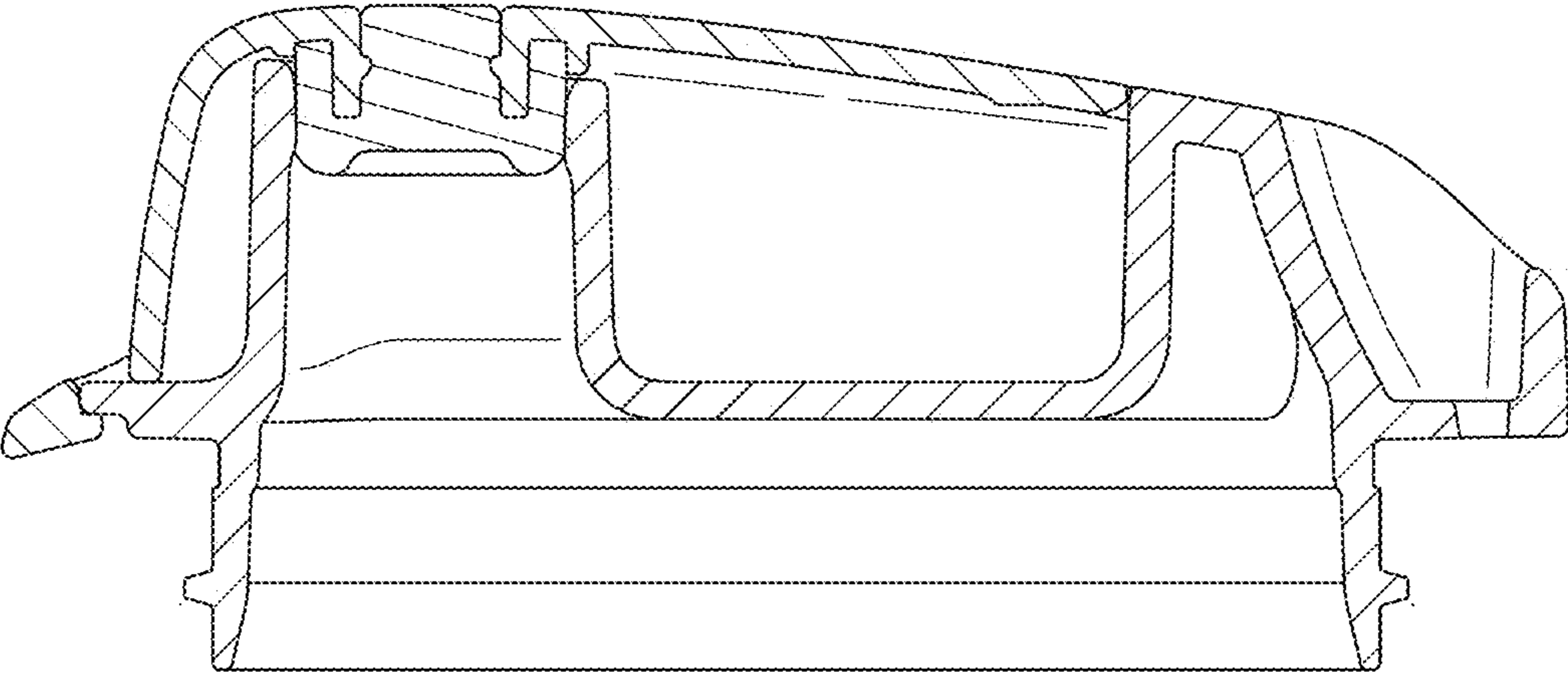


FIG. 10

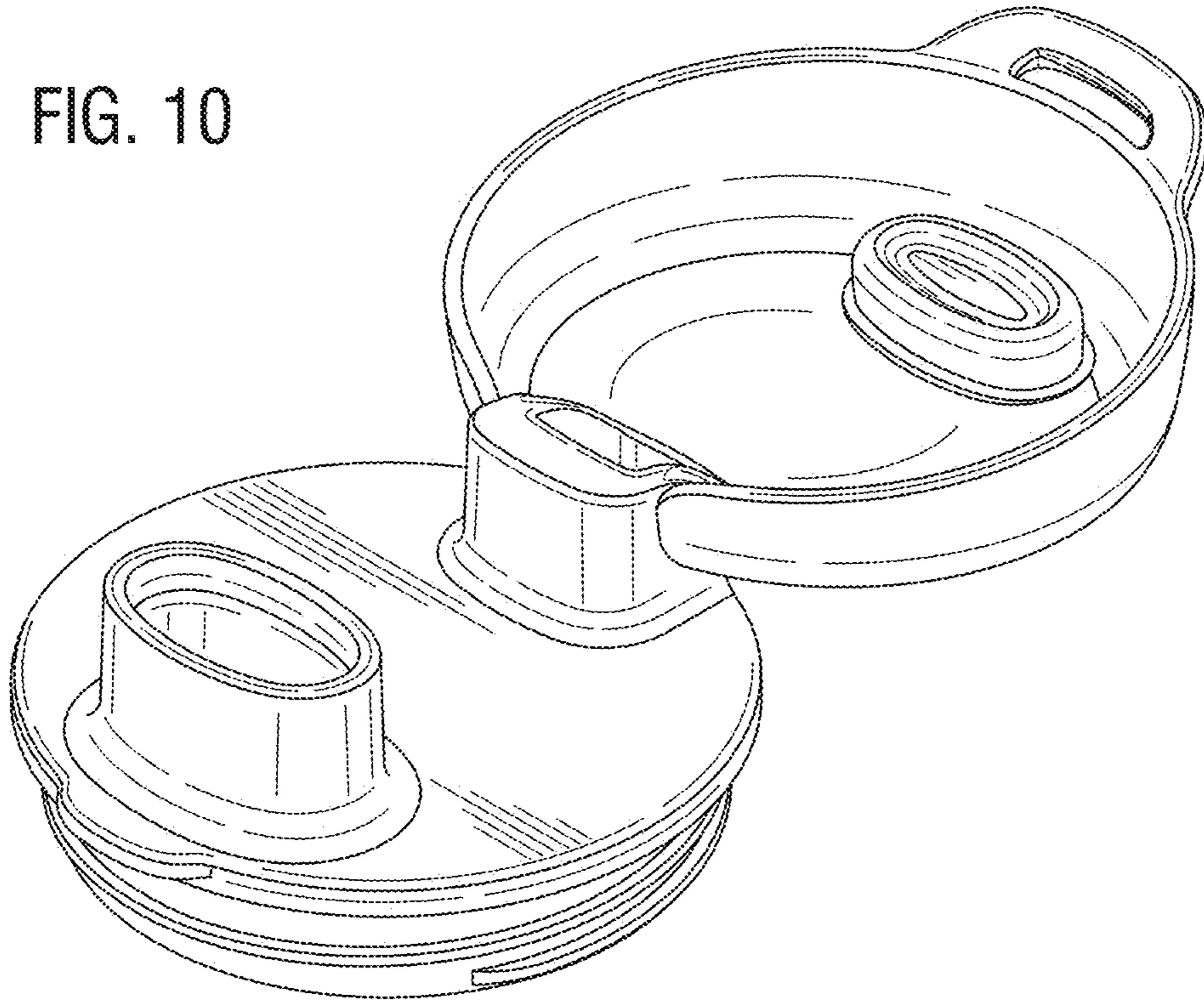
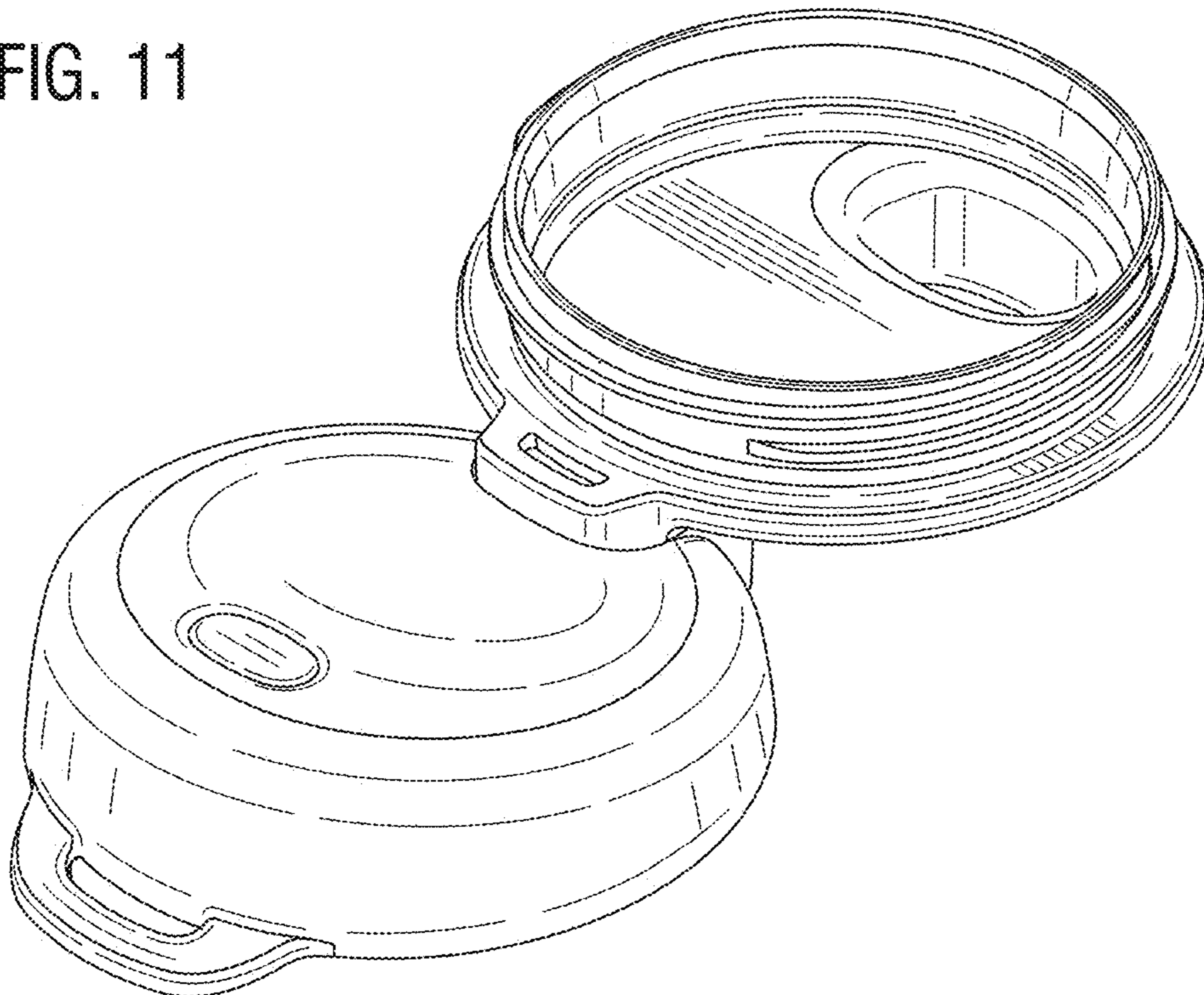


FIG. 11



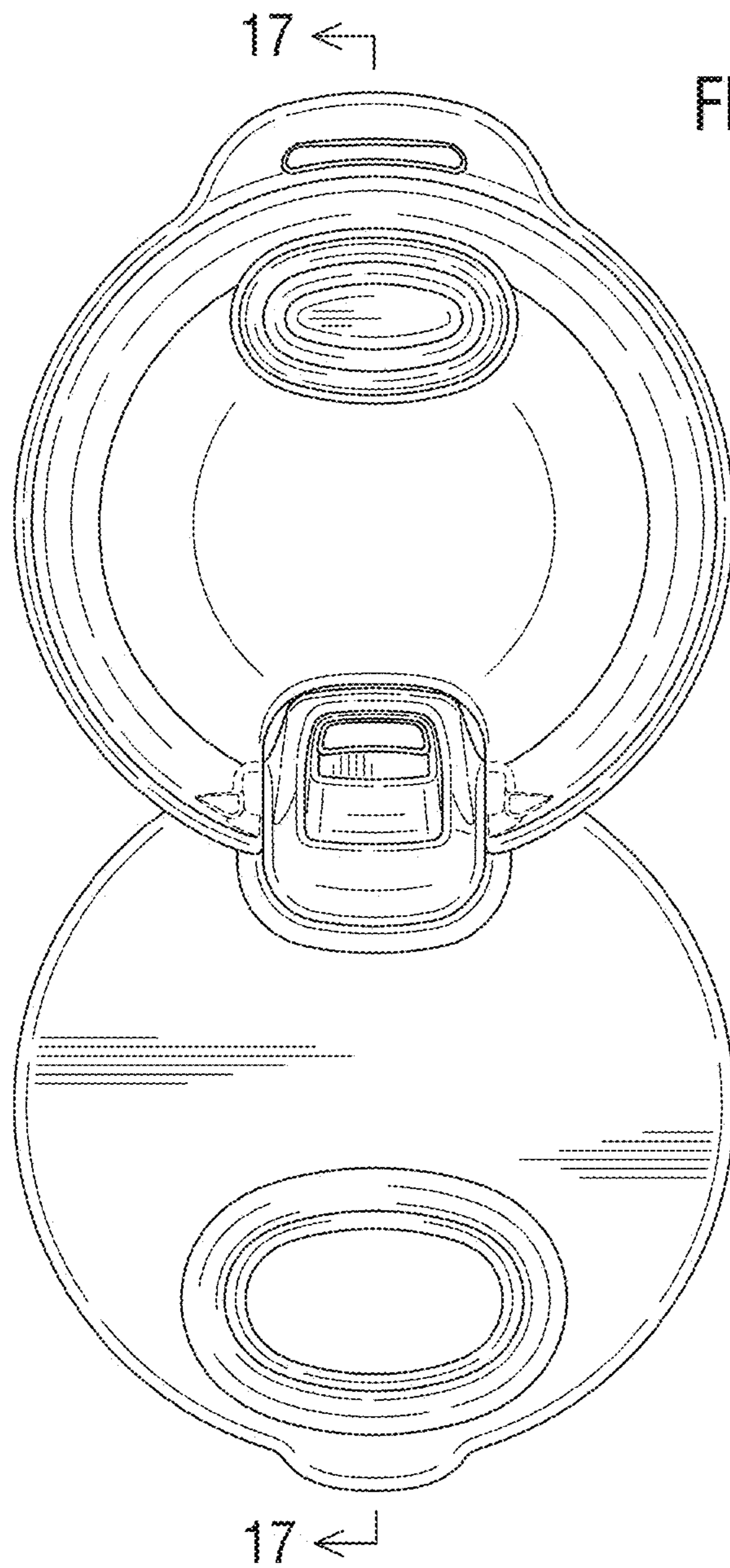


FIG. 12

FIG. 14

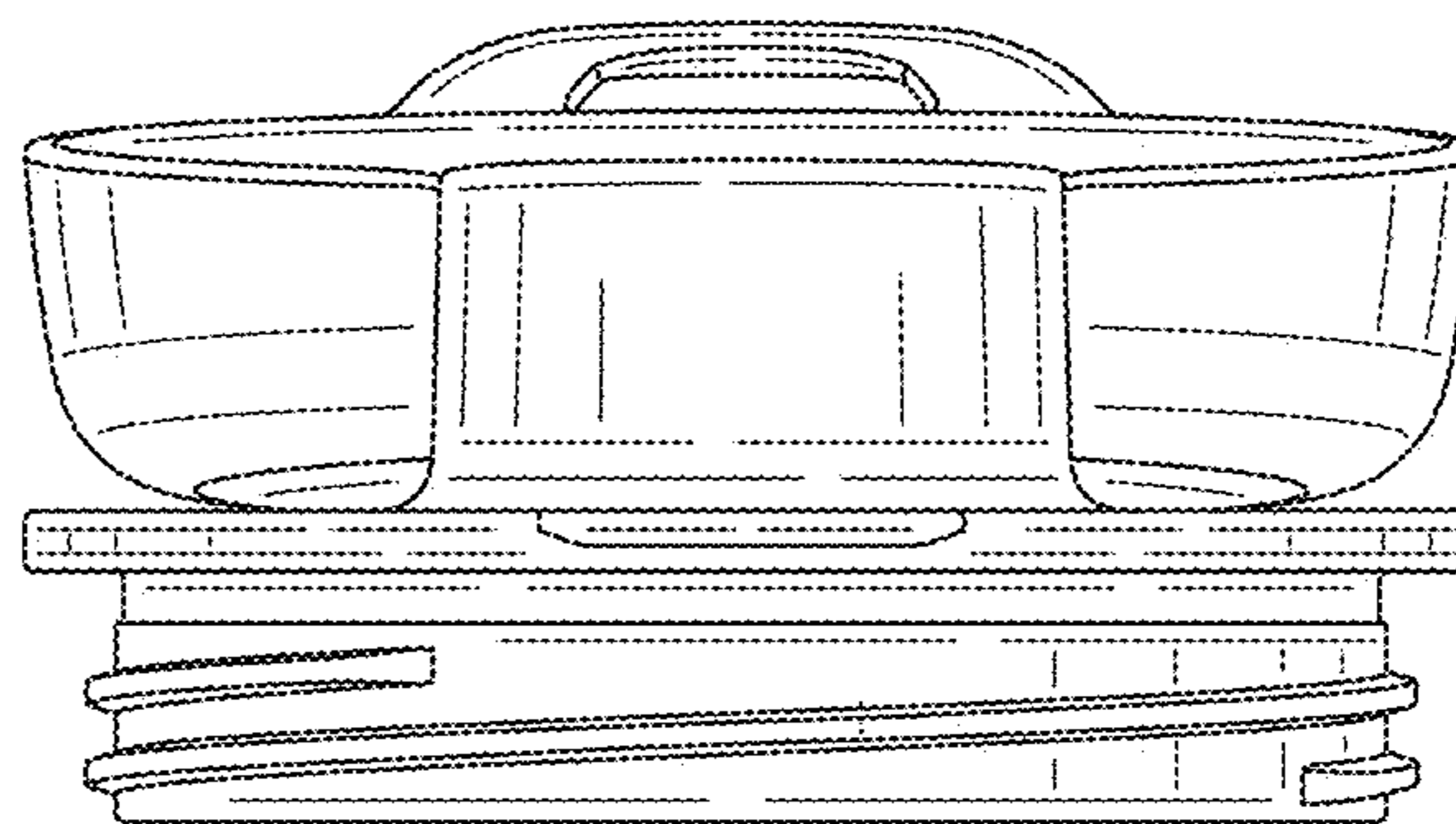


FIG. 13

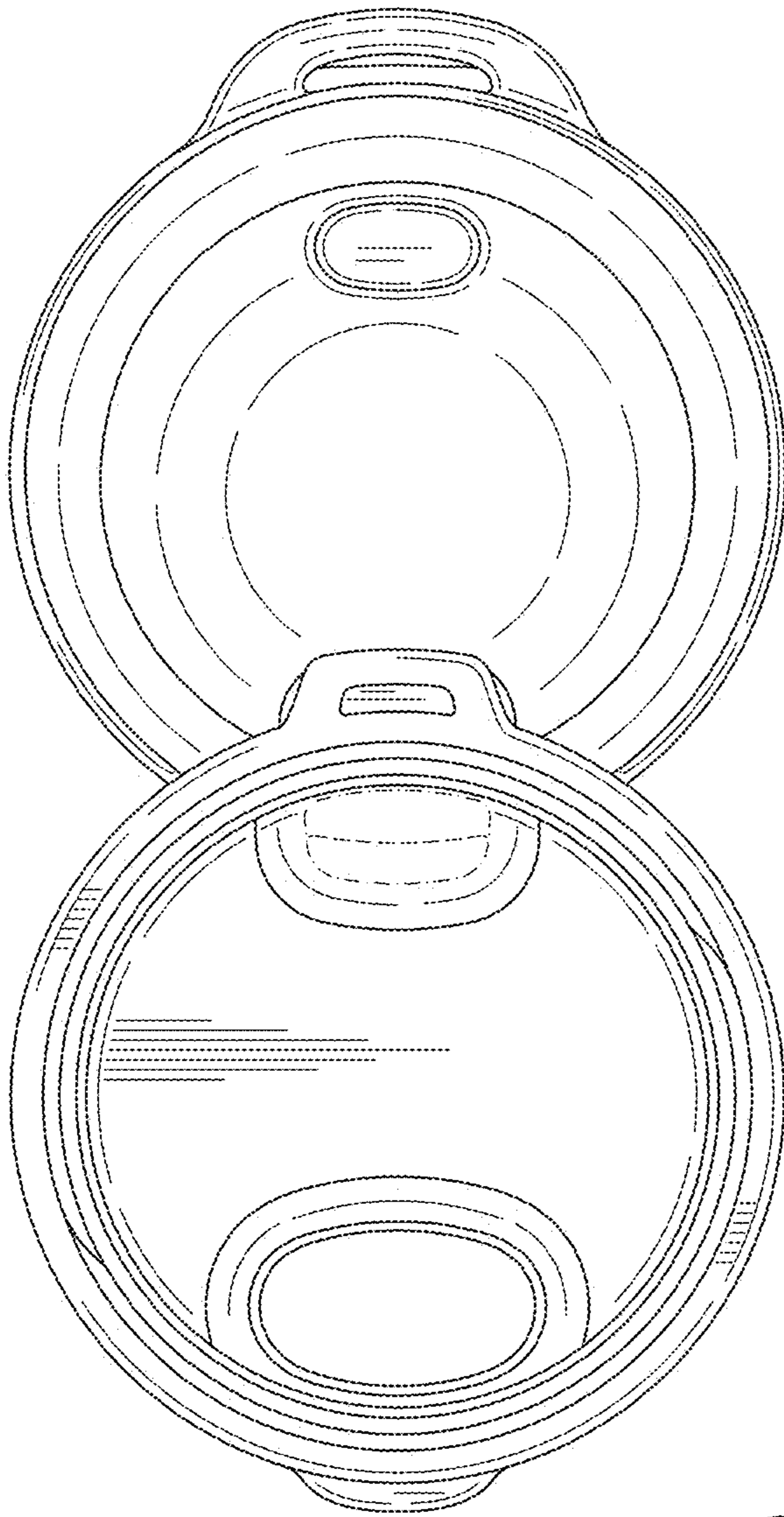


FIG. 15

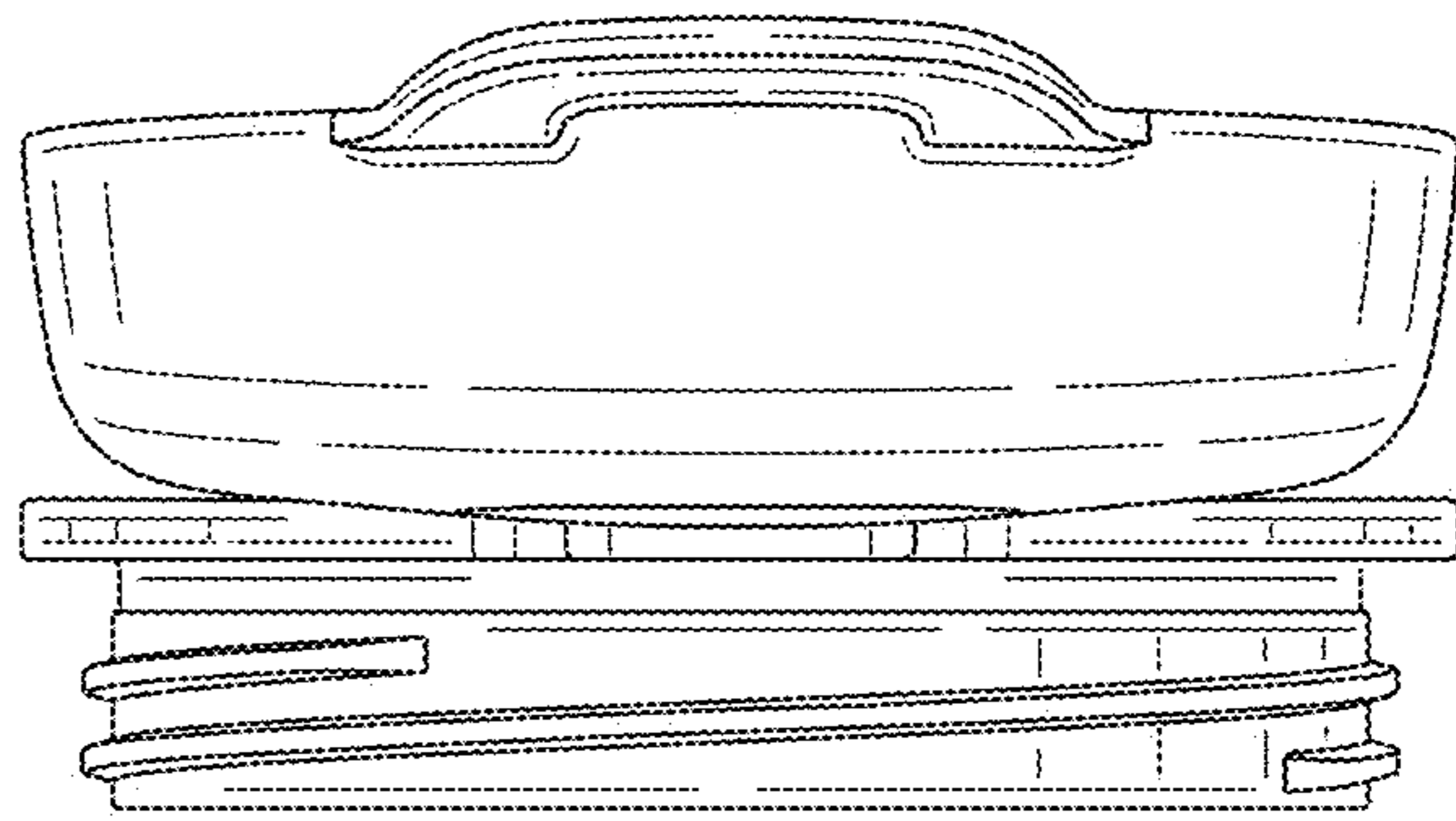
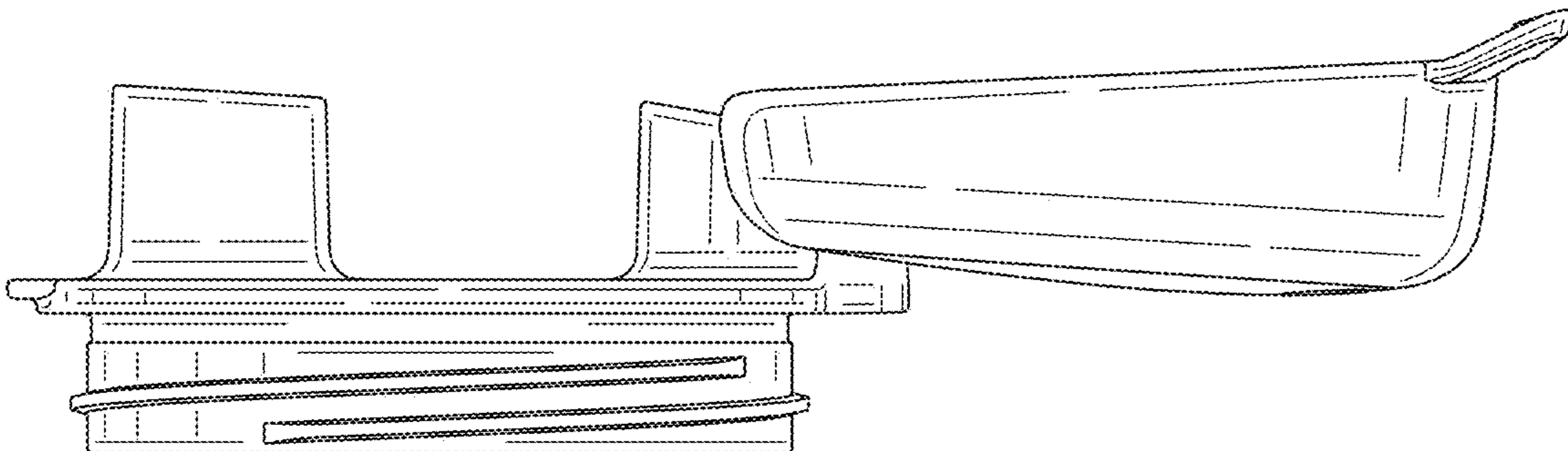


FIG. 16



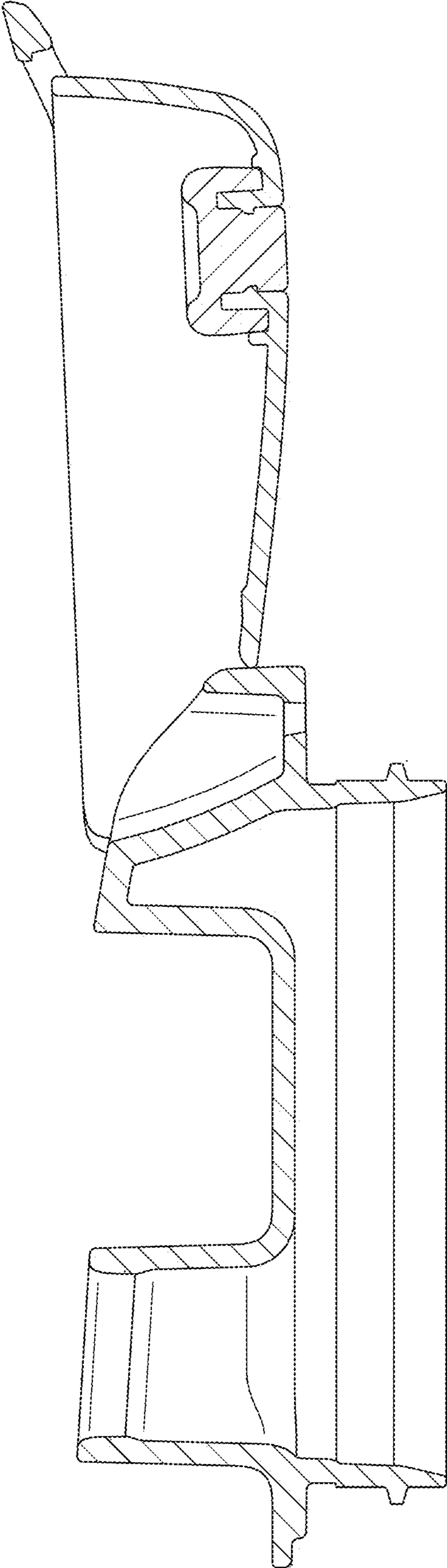


FIG. 17