

US00D885123S

(12) **United States Design Patent**
Vollmer, Jr.

(10) **Patent No.:** **US D885,123 S**
(45) **Date of Patent:** **** May 26, 2020**

(54) **SHAKER BOTTLE AGITATOR**

(71) Applicant: **David L. Vollmer, Jr.**, Birdsboro, PA
(US)

(72) Inventor: **David L. Vollmer, Jr.**, Birdsboro, PA
(US)

(**) Term: **15 Years**

(21) Appl. No.: **29/657,643**

(22) Filed: **Jul. 24, 2018**

(51) **LOC (12) Cl.** **07-99**

(52) **U.S. Cl.**
USPC **D7/392.1; D7/396.2; D7/300.2; D9/436**

(58) **Field of Classification Search**
USPC **D7/387, 392.1, 396.2, 393, 394, 397, D7/398, 213, 900, 507, 523, 532, 510, D7/511, 529, 533, 536, 534, 524, 537, D7/514, 515, 522, 412, 376, 309, 317, D7/305, 665, 300.1, 300.2; D9/435, 436, D9/443, 442, 444, 449, 450, 437; D24/197**

CPC **A47G 19/2205; A47G 19/22; A47J 43/27; A47J 41/02; A47J 41/0077; A47J 41/0088; A47J 41/028; A47J 31/407; A47J 31/40; A45F 3/16; B65D 85/804; B65D 41/04**

See application file for complete search history.

(56) **References Cited**

U.S. PATENT DOCUMENTS

1,060,419 A	4/1913	Benjamin	
3,136,532 A	6/1964	Rudnick	
3,174,424 A *	3/1965	Serio	A47J 31/053 210/474
3,820,692 A	6/1974	Swett et al.	
3,920,226 A *	11/1975	Walt	A47J 43/27 366/130

4,818,114 A	4/1989	Ghavi	
5,547,275 A	8/1996	Lillelund et al.	
D375,390 S *	11/1996	Pinkowski	D32/26
D441,247 S *	5/2001	Beam	D7/305
D474,568 S *	5/2003	Clark	D32/26
D635,463 S *	4/2011	Passi	D9/435
D664,262 S *	7/2012	Khan	D15/29
D701,727 S *	4/2014	Gilbert	D7/300.1
D739,674 S *	9/2015	Bergstrom	D7/300.1
9,248,423 B2	2/2016	Cerasani	
D766,029 S *	9/2016	Lin	D7/300.1
D768,437 S	10/2016	Lane	
D781,640 S *	3/2017	Roth	D7/300.2
9,643,141 B2	5/2017	Kershaw et al.	
9,706,880 B1	7/2017	Kalamaras	

(Continued)

Primary Examiner — Jae Liang

(74) *Attorney, Agent, or Firm* — Patent Law Associates

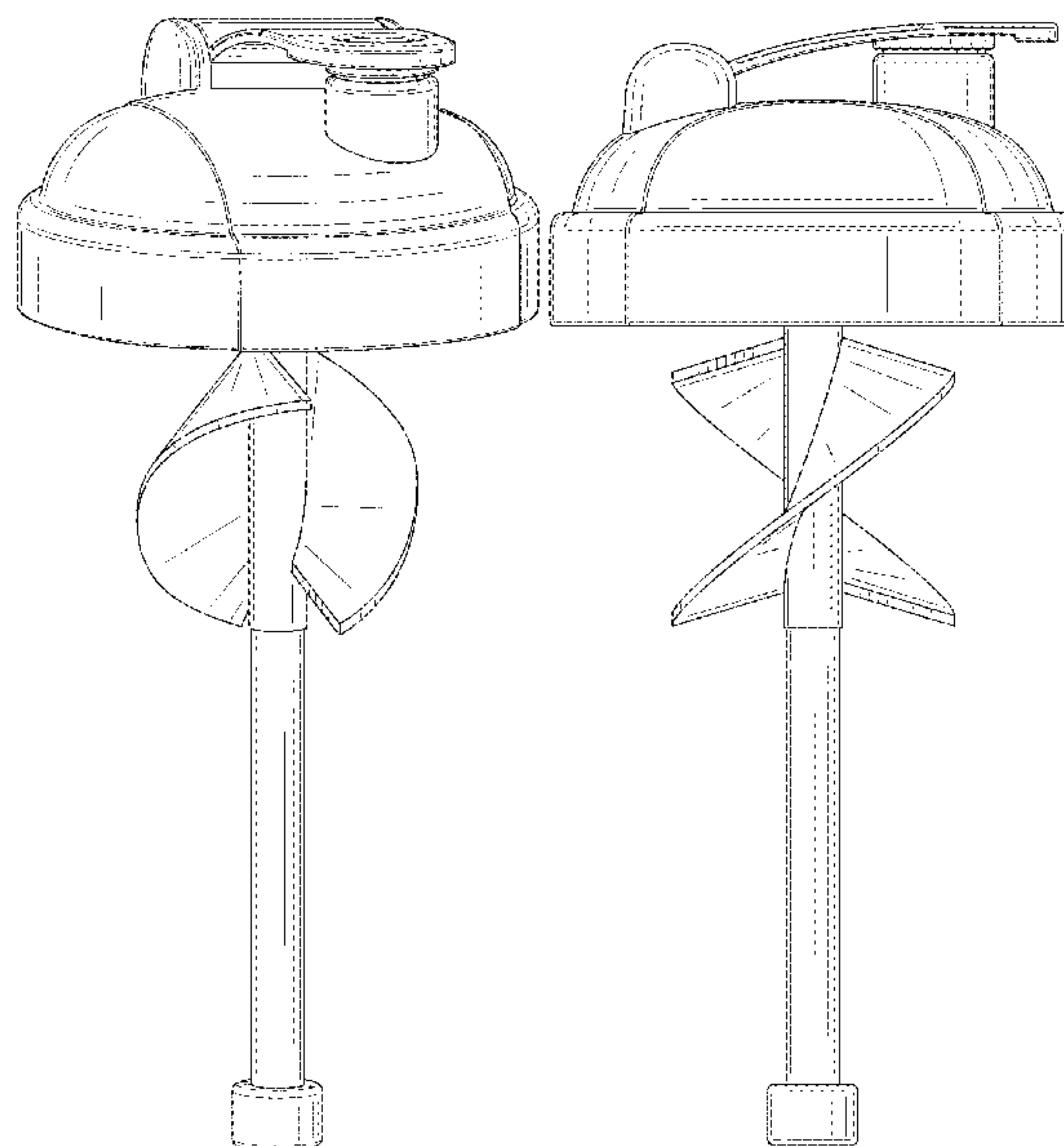
(57) **CLAIM**

The ornamental design for a shaker bottle agitator, as shown and described.

DESCRIPTION

FIG. 1 is a front perspective view of a shaker bottle agitator; FIG. 2 is a front elevation view of the shaker bottle agitator; FIG. 3 is rearward elevation view of the shaker bottle agitator; FIG. 4 is a left-side elevation view of the shaker bottle agitator; FIG. 5 is a right-side elevation view of the shaker bottle agitator; FIG. 6 is a top plan view of the shaker bottle agitator; FIG. 7 is a bottom plan view of the shaker bottle agitator; and, FIG. 8 is an environmental perspective view of the shaker bottle agitator installed on an unclaimed shaker bottle. The broken lines in the drawings depict portions of the shaker bottle agitator and environmental subject matter that form no part of the claimed design.

1 Claim, 8 Drawing Sheets



(56)

References Cited

U.S. PATENT DOCUMENTS

D804,247 S * 12/2017 Winn D7/412
D805,827 S * 12/2017 Toth D7/300.1
D808,216 S 1/2018 Holowaychuk et al.
D833,224 S * 11/2018 Wahlkvist D7/510
2006/0209630 A1 9/2006 Brown et al.
2010/0302897 A1* 12/2010 George A47J 43/1025
366/130
2011/0026360 A1* 2/2011 Greller B01F 7/00633
366/308
2011/0058447 A1* 3/2011 Reif B01F 7/1695
366/249
2013/0010568 A1* 1/2013 Bodum A47J 31/00
366/130
2016/0192810 A1* 7/2016 Knapp A47J 43/27
366/343
2017/0065942 A1* 3/2017 Dayton B01F 13/0022
2018/0056256 A1* 3/2018 Sun B01F 13/005
2018/0093236 A1* 4/2018 Johnson B01F 3/1221

* cited by examiner

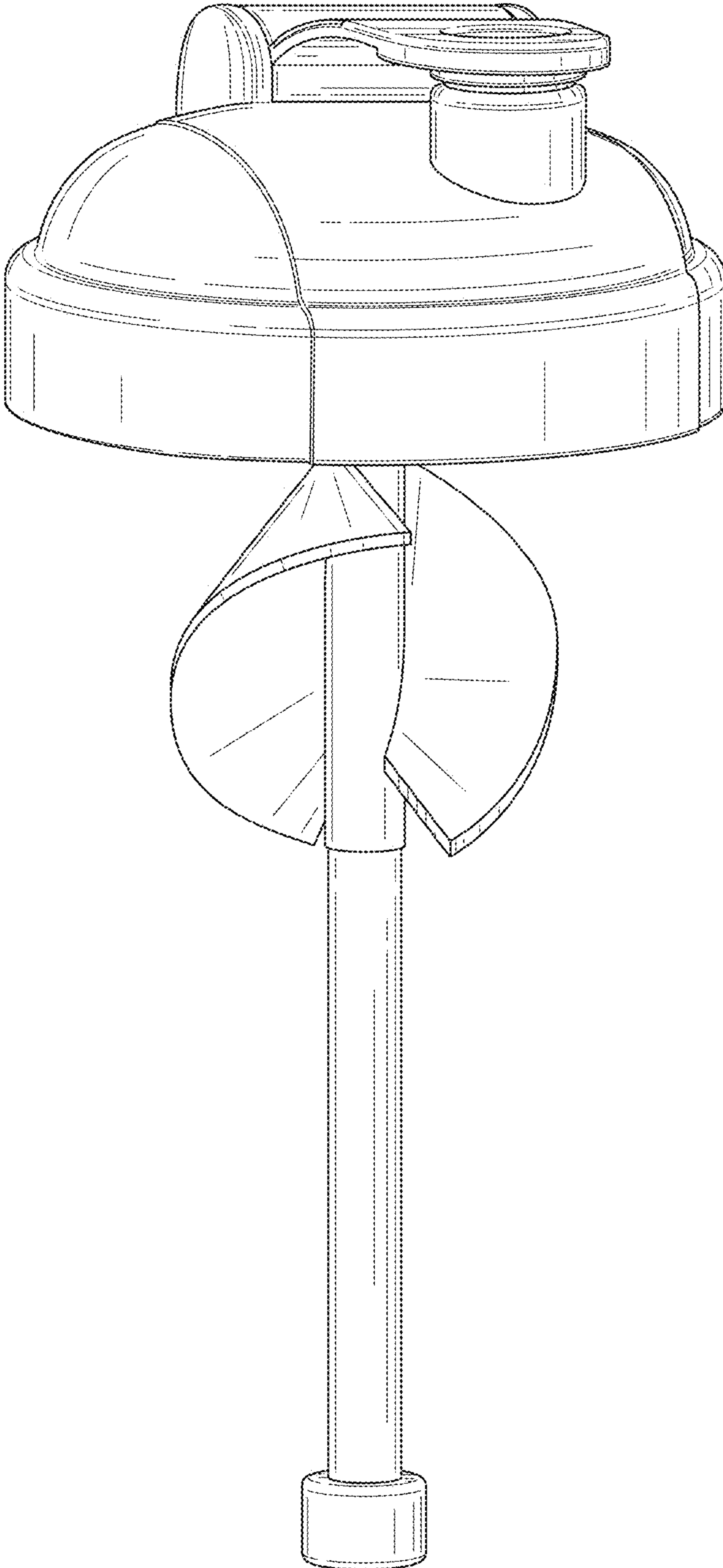


FIG. 1

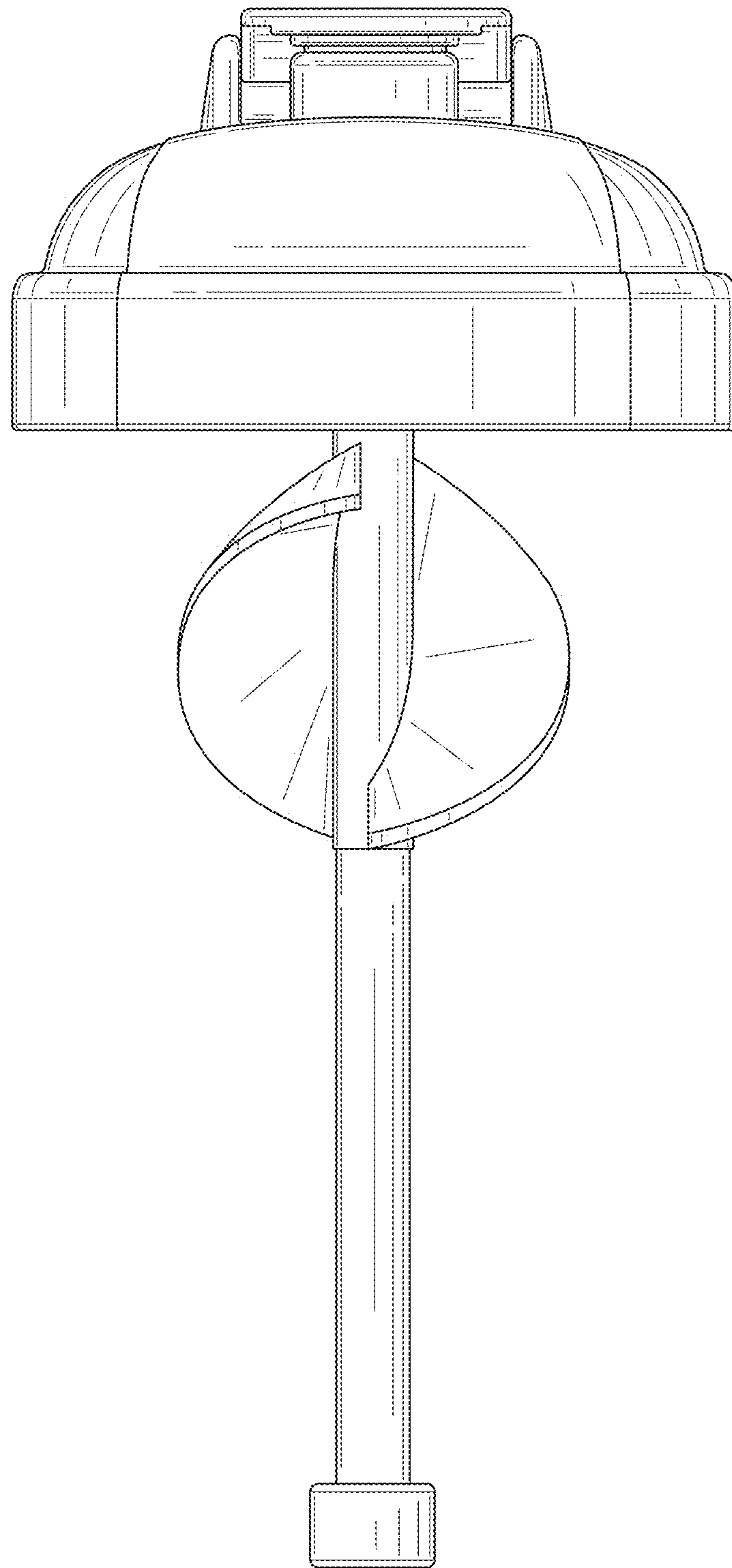


FIG. 2

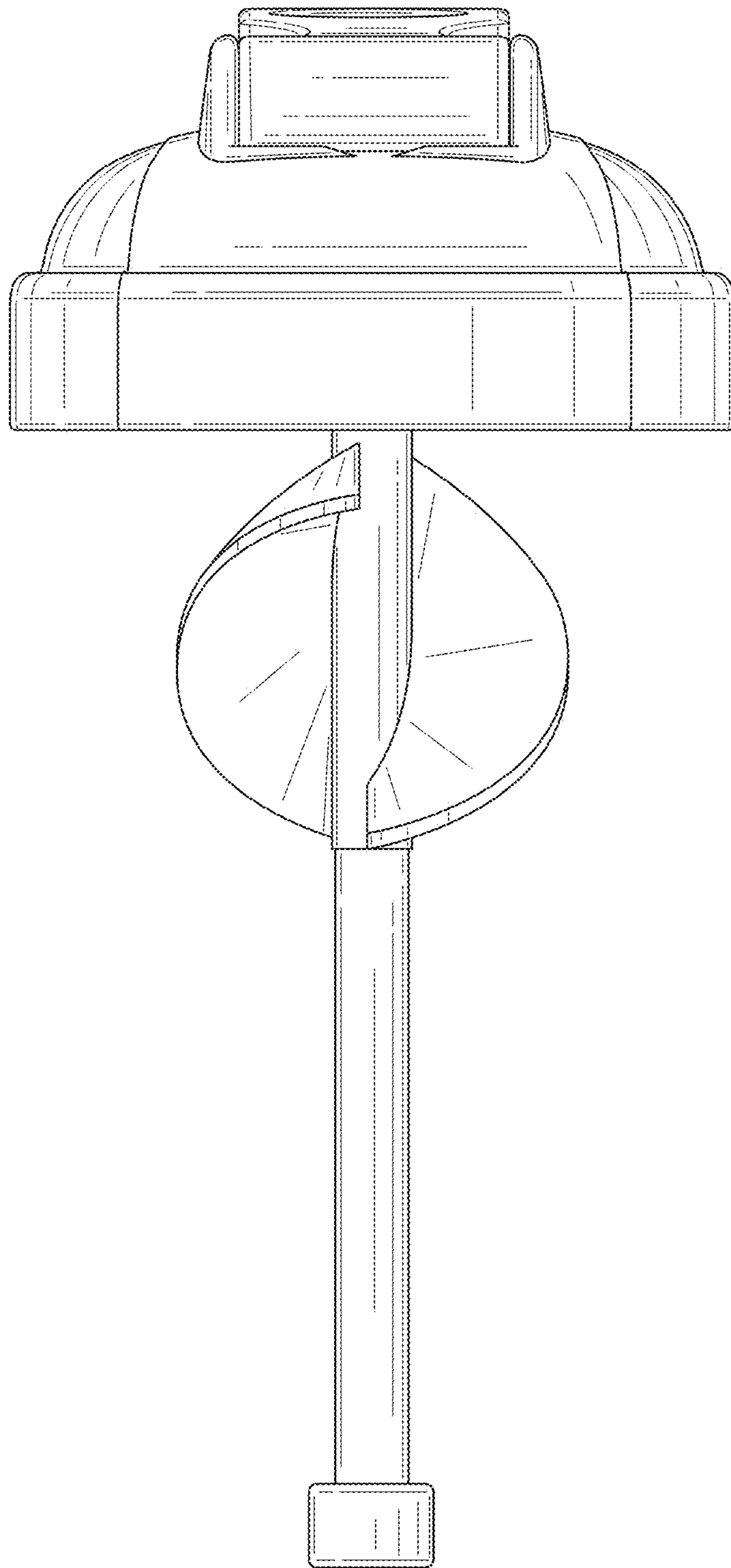


FIG. 3

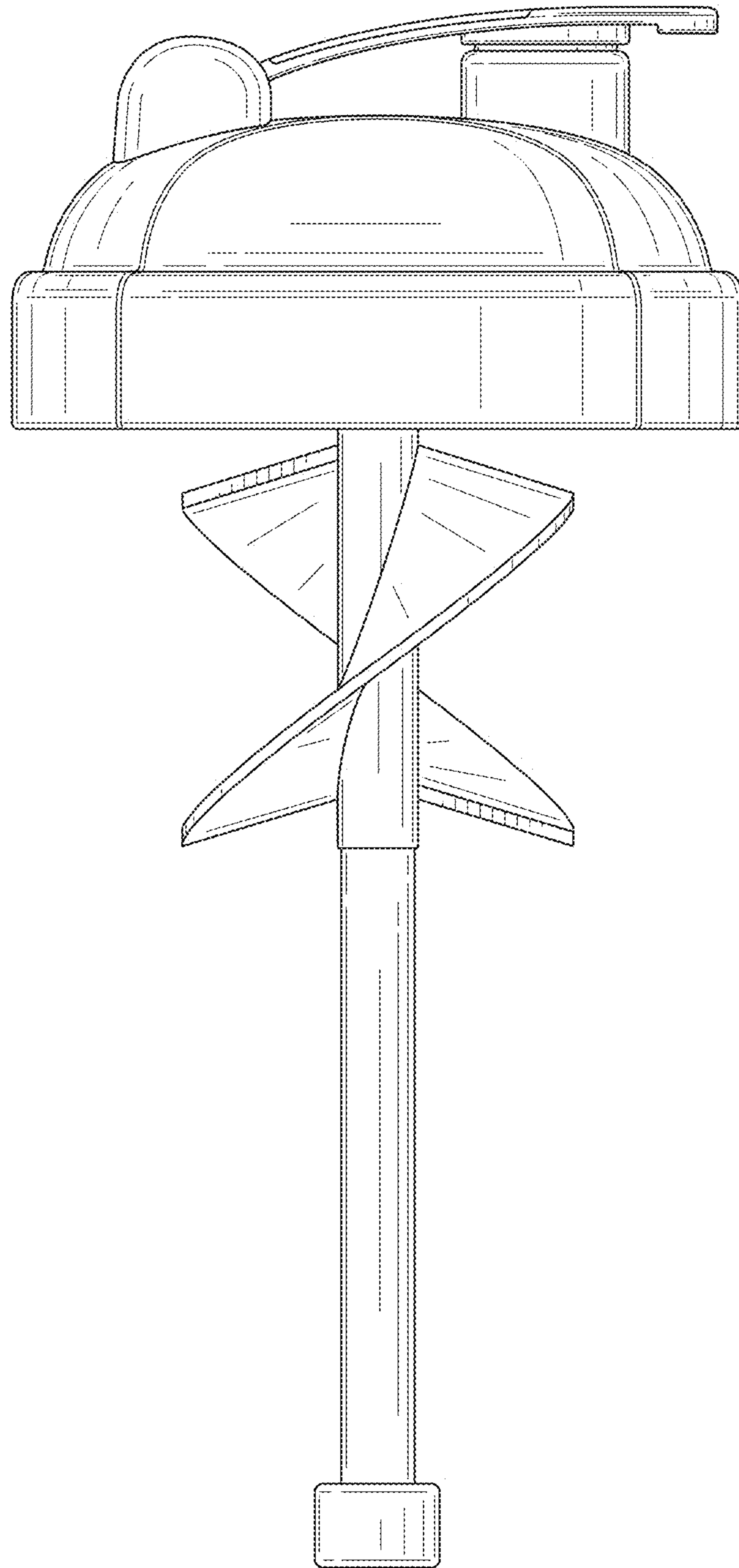


FIG. 4

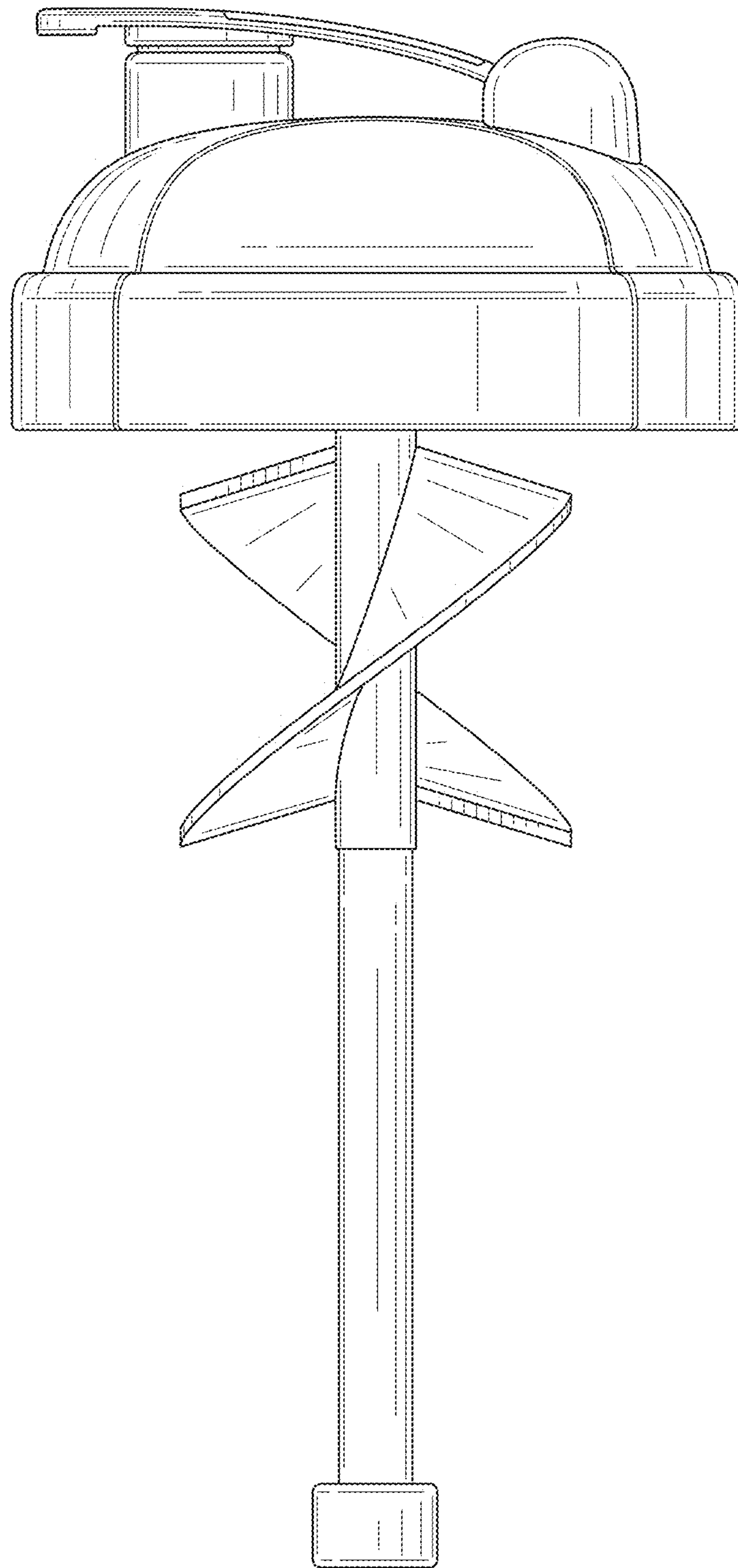


FIG. 5

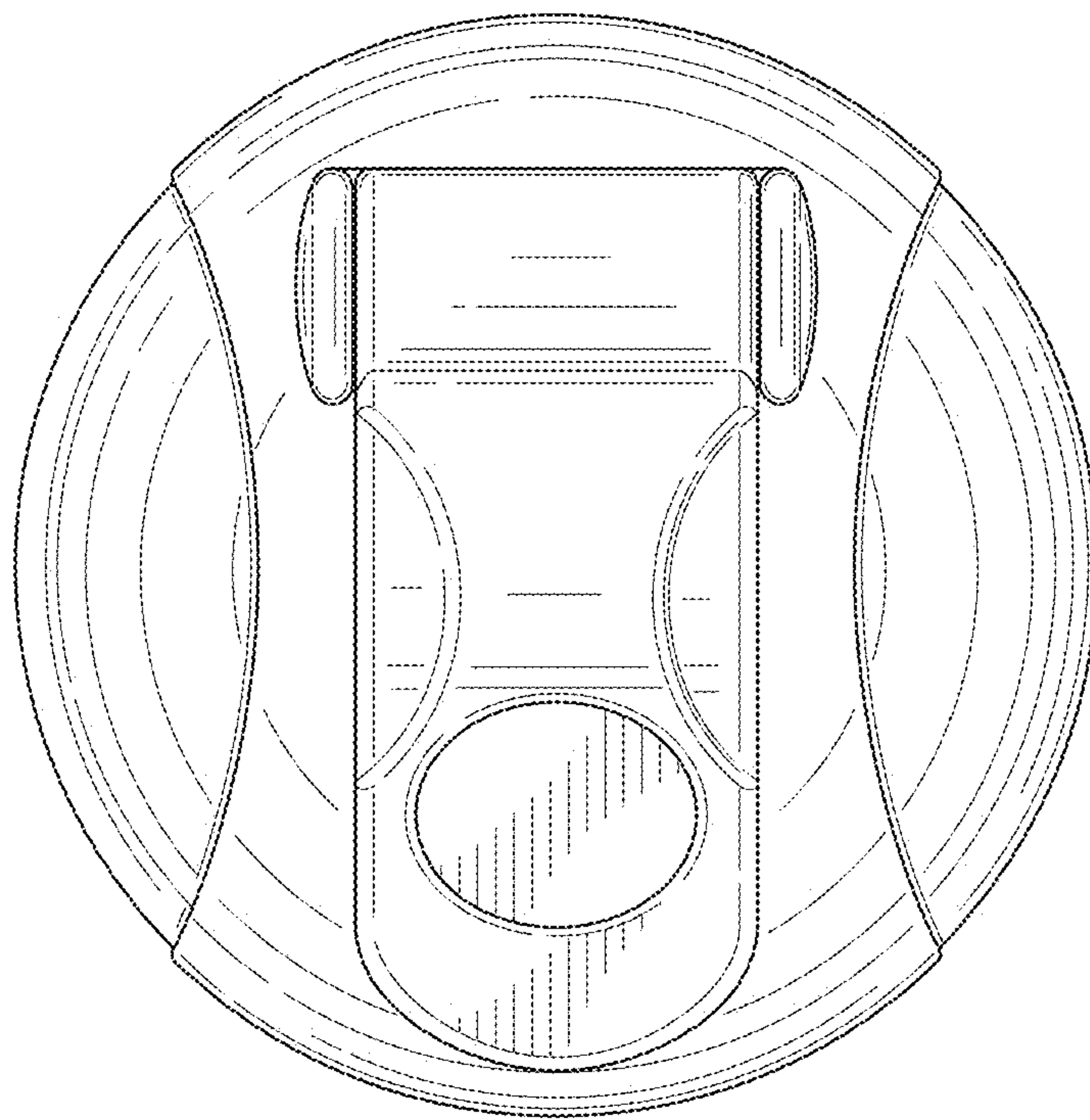


FIG. 6

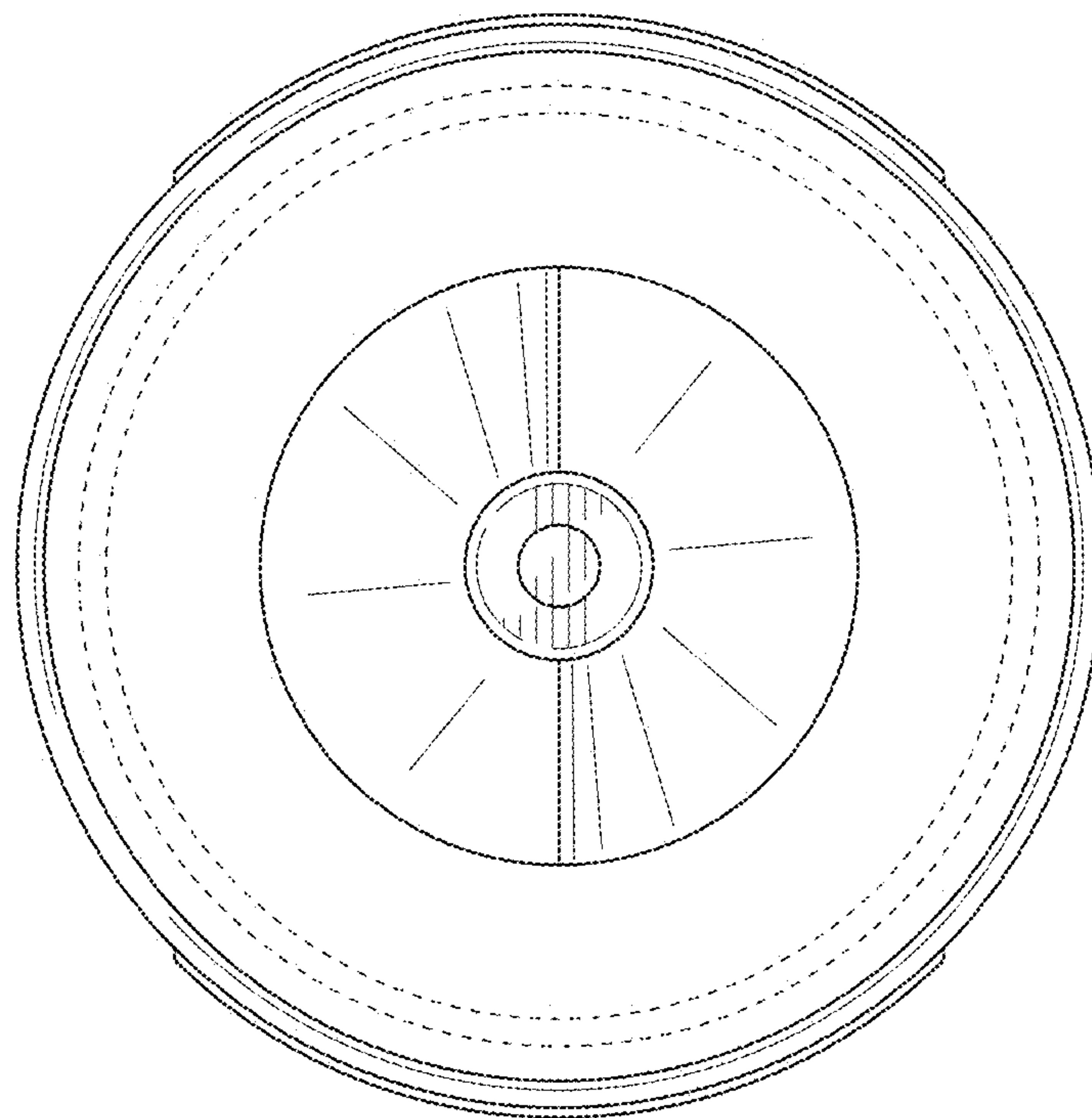


FIG. 7

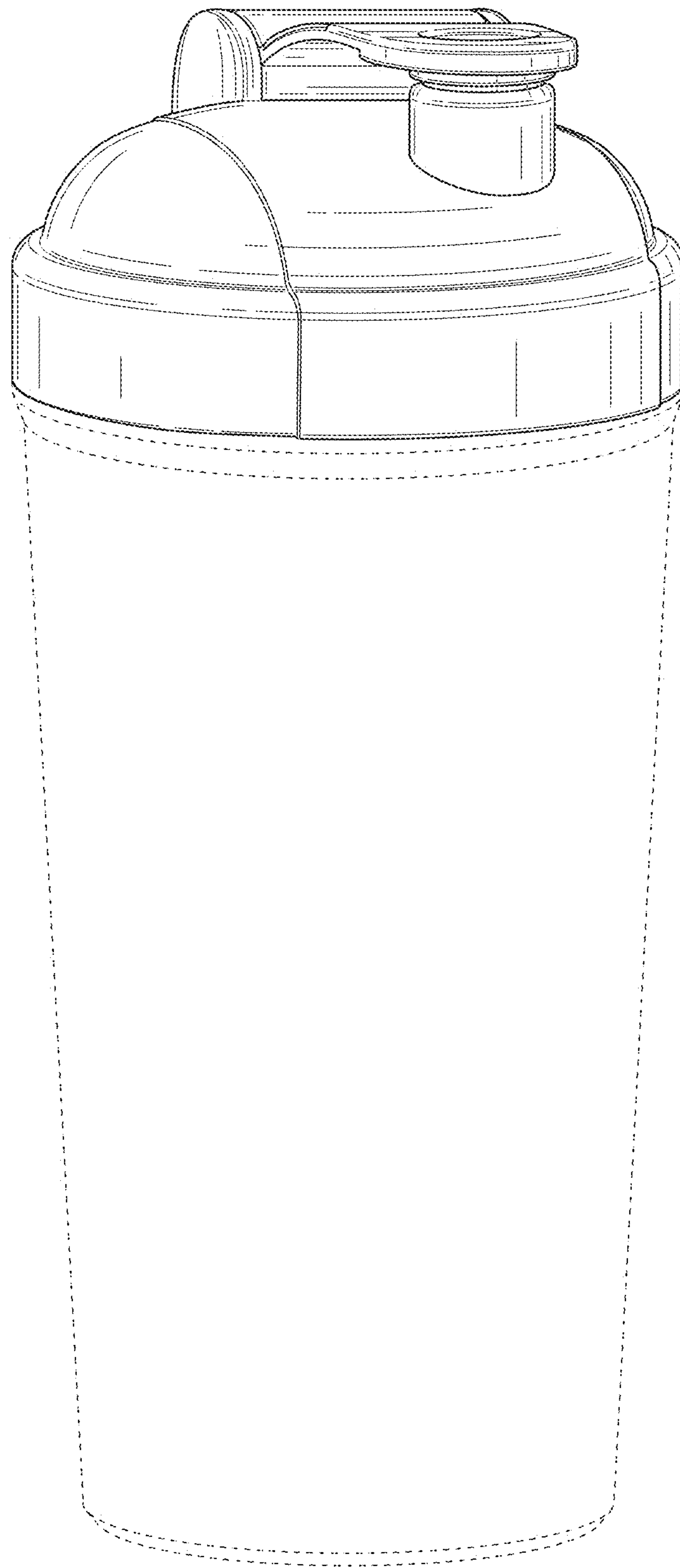


FIG. 8