



US00D885119S

(12) **United States Design Patent** (10) **Patent No.:** **US D885,119 S**  
**Mingwang** (45) **Date of Patent:** **\*\* May 26, 2020**

(54) **VACUUM FERMENTATION COVER**

(71) Applicant: **Huang Mingwang**, Pingxiang (CN)

(72) Inventor: **Huang Mingwang**, Pingxiang (CN)

(\*\*) Term: **15 Years**

(21) Appl. No.: **29/710,238**

(22) Filed: **Oct. 22, 2019**

(51) **LOC (12) Cl.** ..... **07-99**

(52) **U.S. Cl.**  
USPC ..... **D7/391; D9/445**

(58) **Field of Classification Search**  
USPC ..... D7/391, 392.1, 392, 399, 397, 354, 368,  
D7/384; D9/454, 452, 445, 443  
CPC ... A47J 3/0615; A47J 31/0689; A47C 15/505;  
F16J 15/022; A23C 9/123; C12C 11/006  
See application file for complete search history.

D853,182 S 7/2019 Adams et al.  
D853,782 S \* 7/2019 Conti ..... D7/384  
D872,521 S \* 1/2020 Sitwell ..... D7/392.1  
2013/0122579 A1\* 5/2013 Priller ..... C12M 21/04  
435/289.1  
2015/0189894 A1\* 7/2015 Hwang ..... A23C 9/123  
99/453  
2015/0218499 A1\* 8/2015 Frye ..... C12C 11/006  
99/276

\* cited by examiner

*Primary Examiner* — Marianne N Pandozzi  
(74) *Attorney, Agent, or Firm* — KA Filing LLC; Wayne V. Harper

(57) **CLAIM**

I claim the ornamental design for a vacuum fermentation cover, as shown and described.

(56) **References Cited**

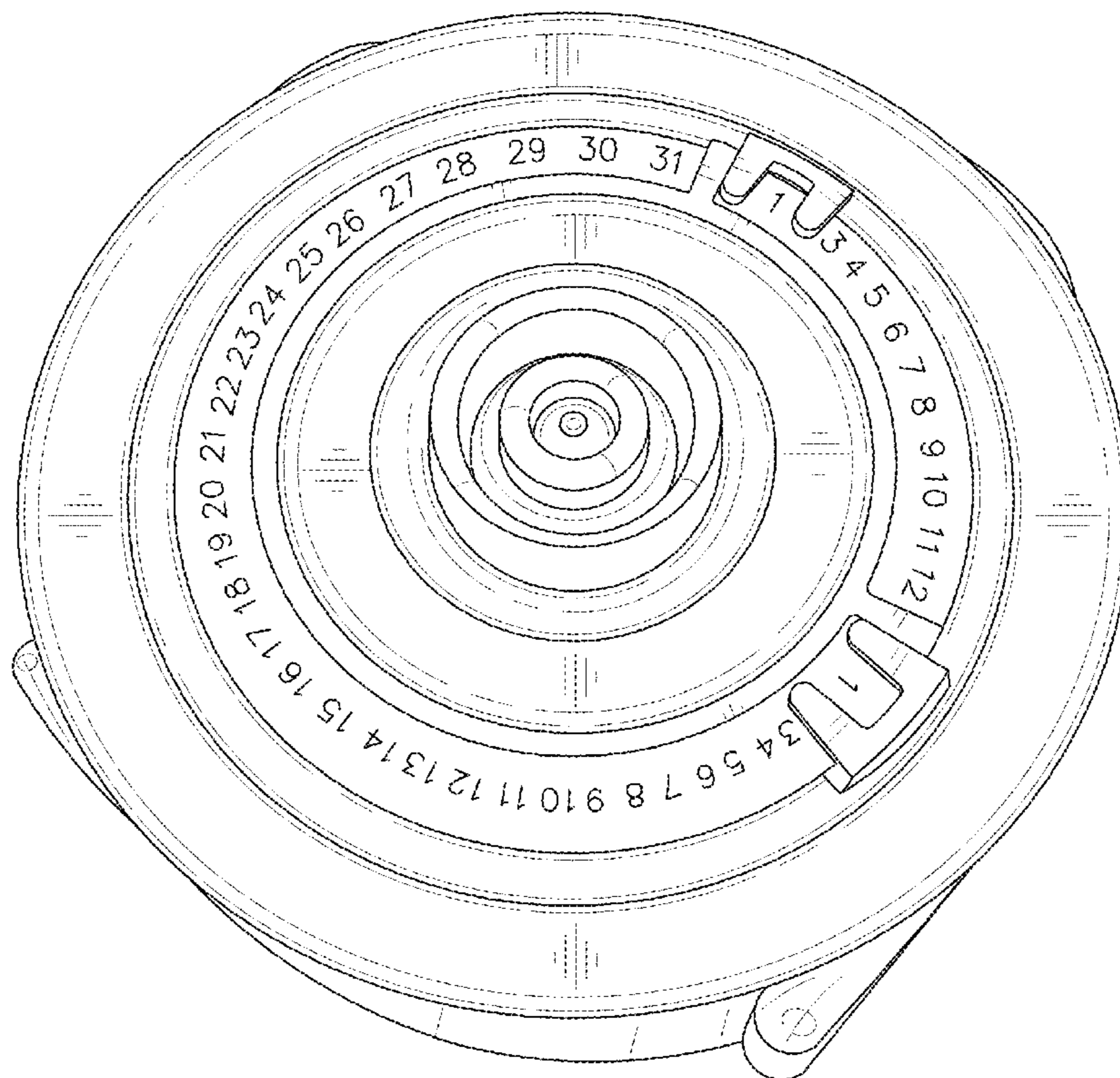
**U.S. PATENT DOCUMENTS**

6,032,571 A \* 3/2000 Brous ..... C12C 13/10  
366/249  
D577,549 S \* 9/2008 Plante ..... D7/538  
D668,503 S 10/2012 Kotani  
D759,425 S \* 6/2016 Castriota ..... D7/354  
D770,845 S \* 11/2016 Quinn ..... D7/354  
D809,385 S \* 2/2018 Brinkworth ..... D9/445  
D810,498 S \* 2/2018 Westfall ..... D7/368  
D818,766 S \* 5/2018 Xie ..... D7/391  
D845,762 S 4/2019 Felsenthal et al.  
D848,784 S \* 5/2019 Hazelton ..... D7/391

**DESCRIPTION**

FIG. 1 is a Perspective view of a vacuum fermentation cover showing my new design;  
FIG. 2 is a bottom perspective view thereof;  
FIG. 3 is a Top view thereof;  
FIG. 4 is a Bottom view thereof;  
FIG. 5 is a Front view thereof;  
FIG. 6 is a Back view thereof;  
FIG. 7 is a Left-side view thereof; and,  
FIG. 8 is a Right-side view thereof.

**1 Claim, 8 Drawing Sheets**



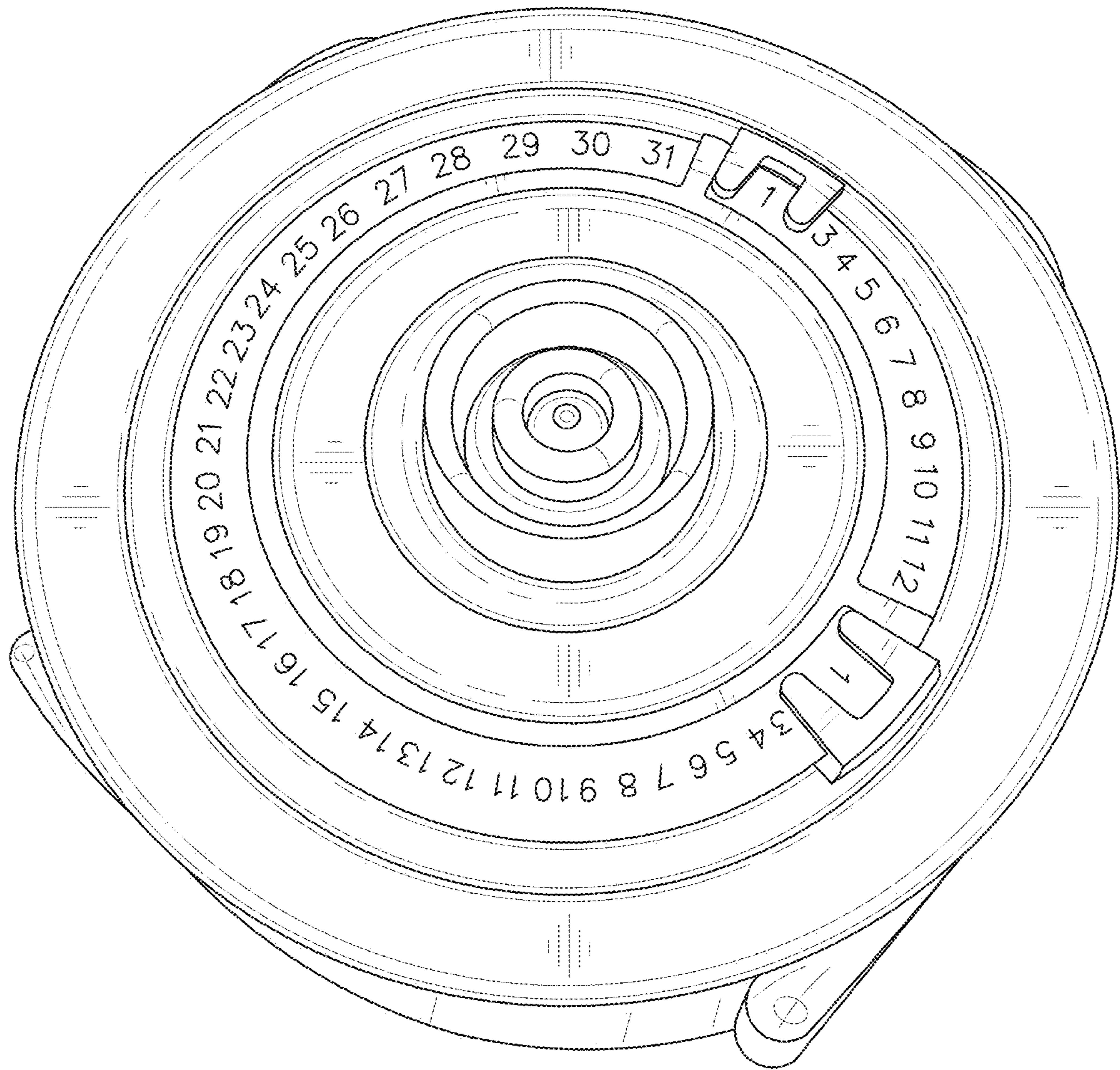


FIG. 1

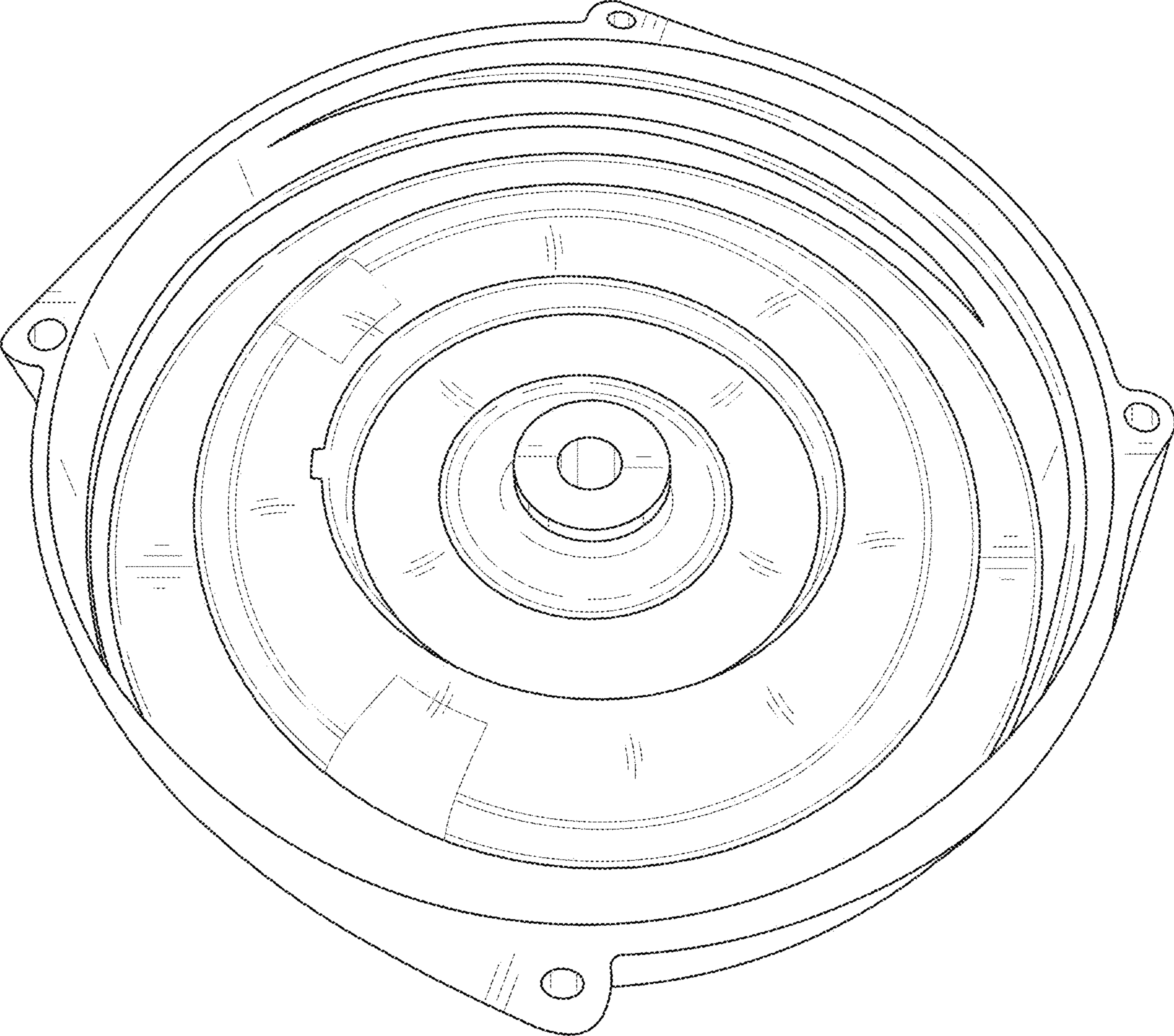


FIG. 2

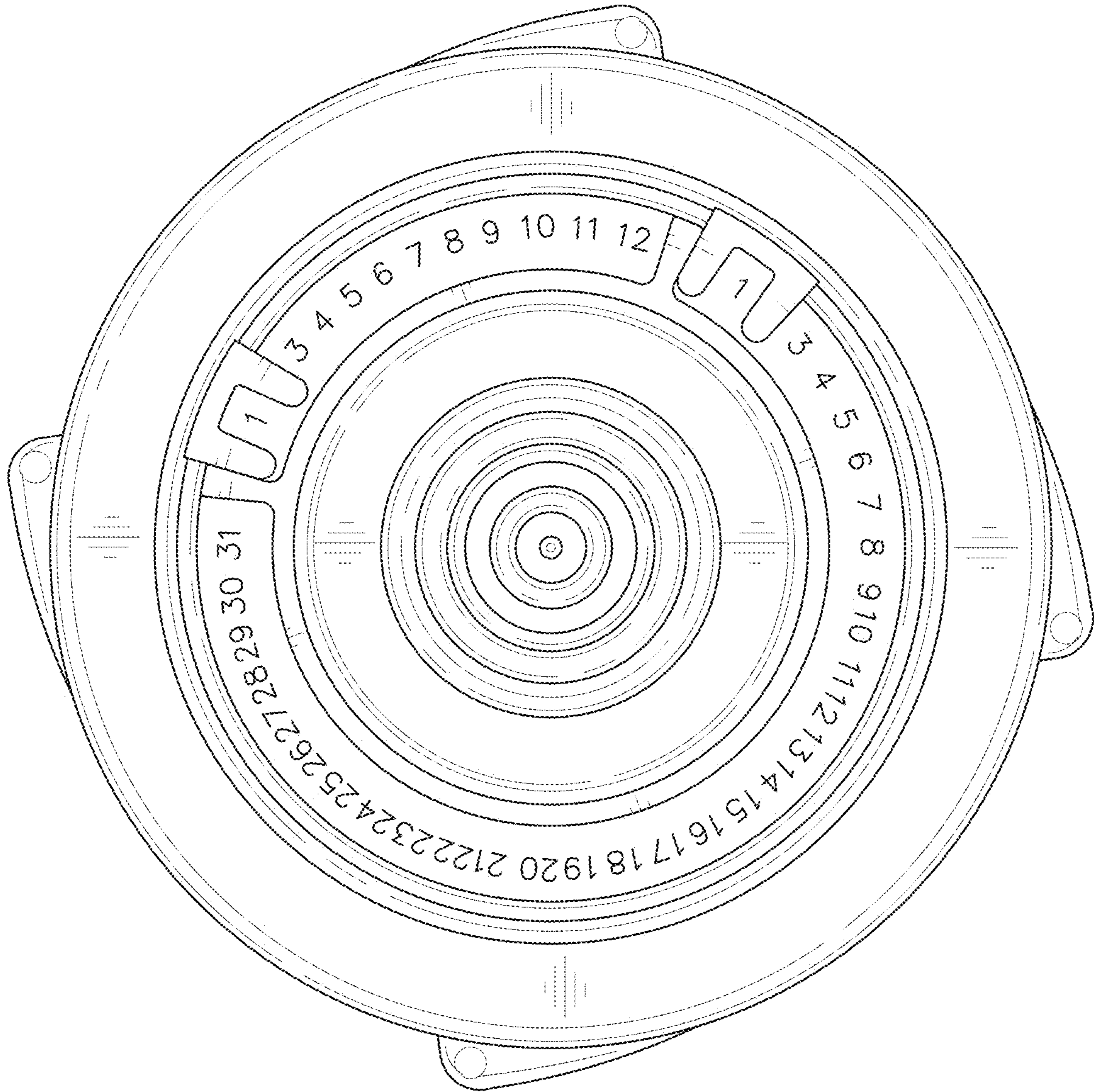


FIG. 3

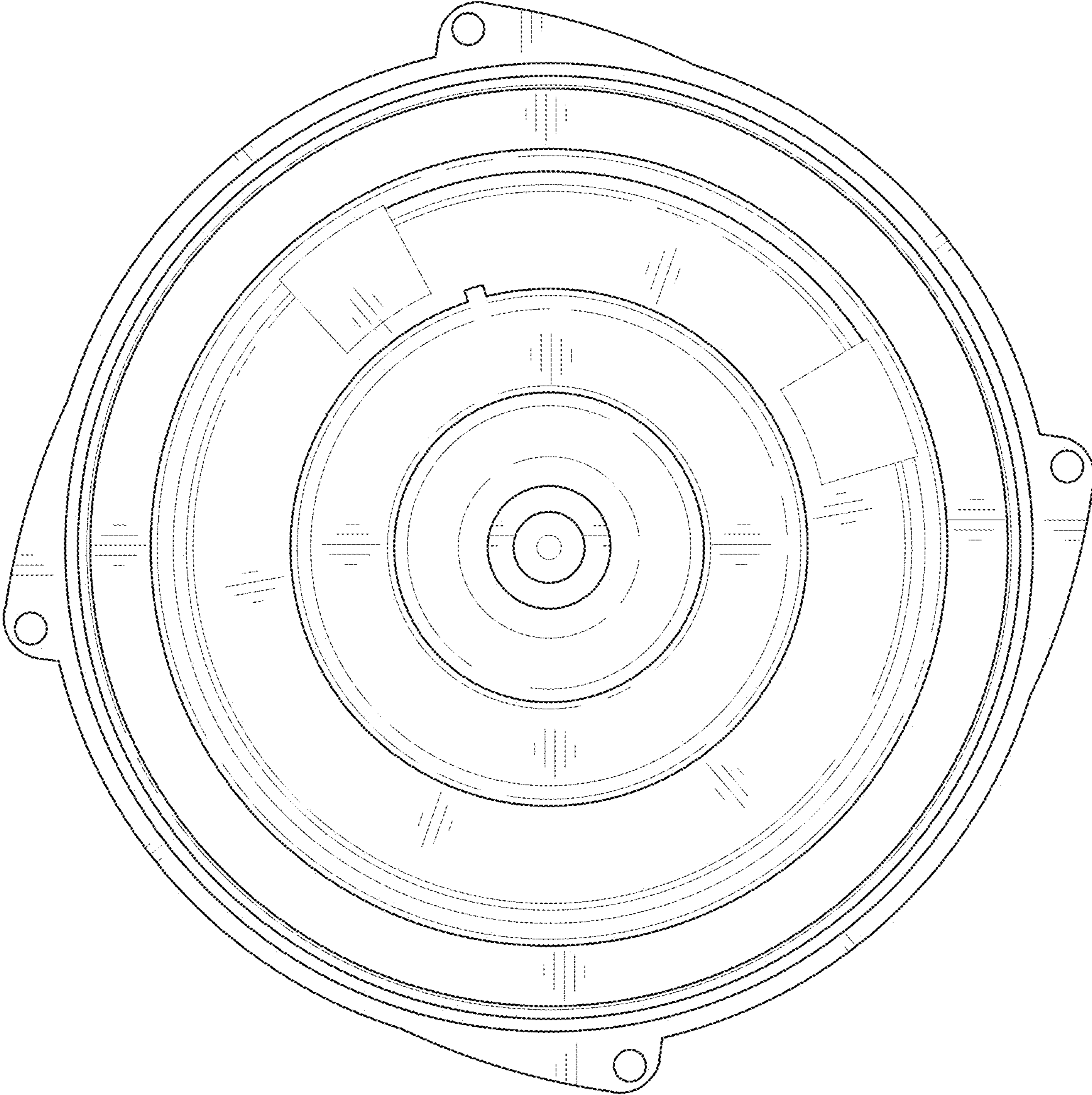


FIG. 4

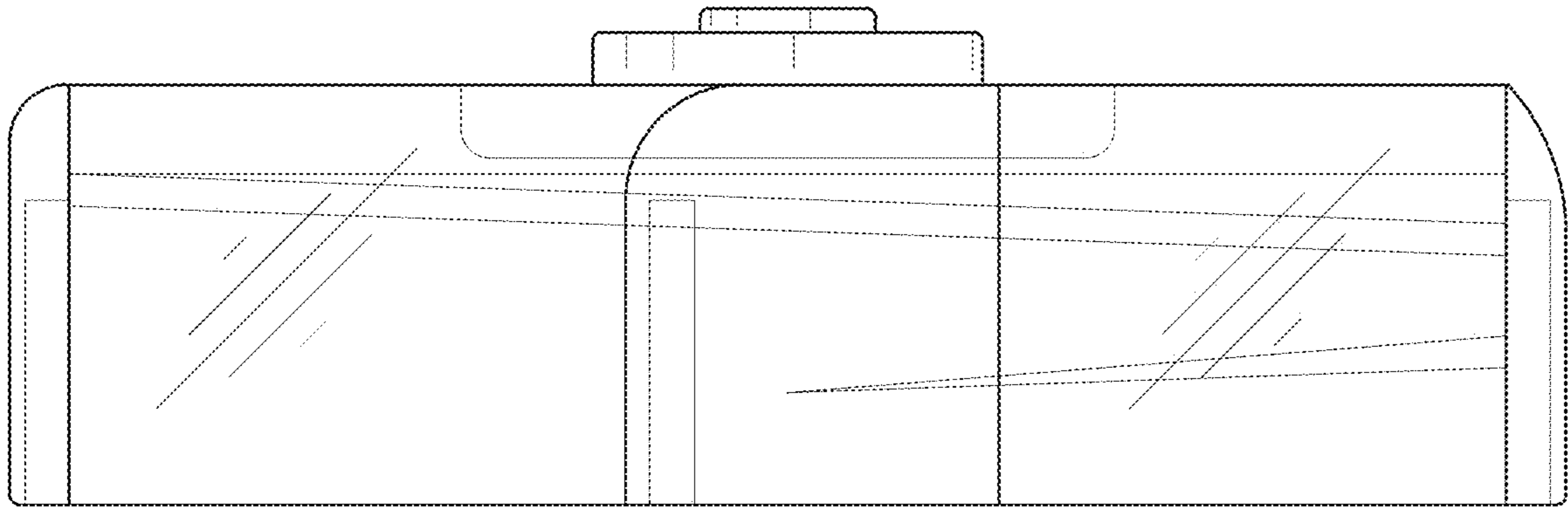


FIG. 5

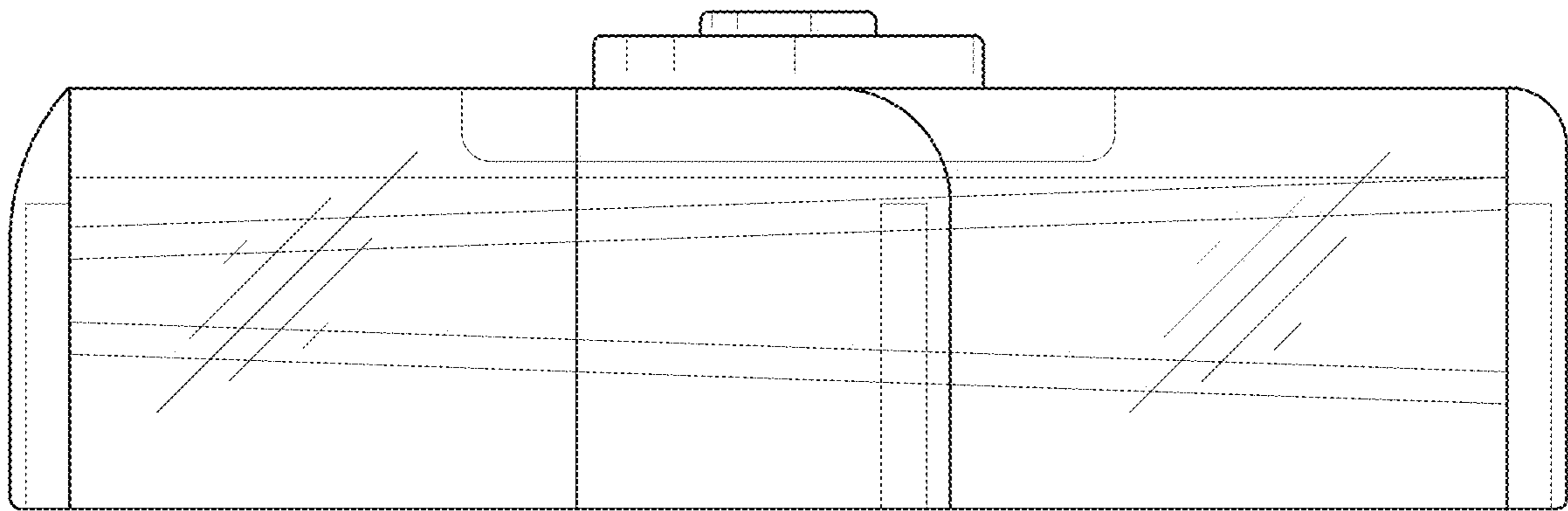


FIG. 6

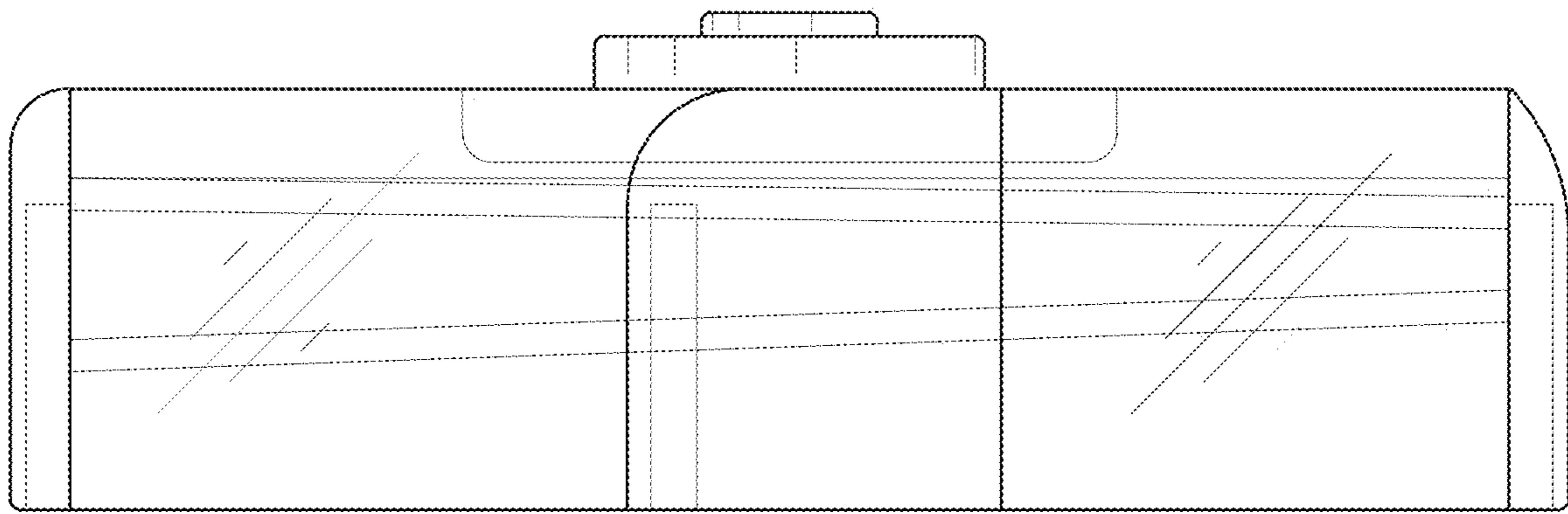


FIG. 7



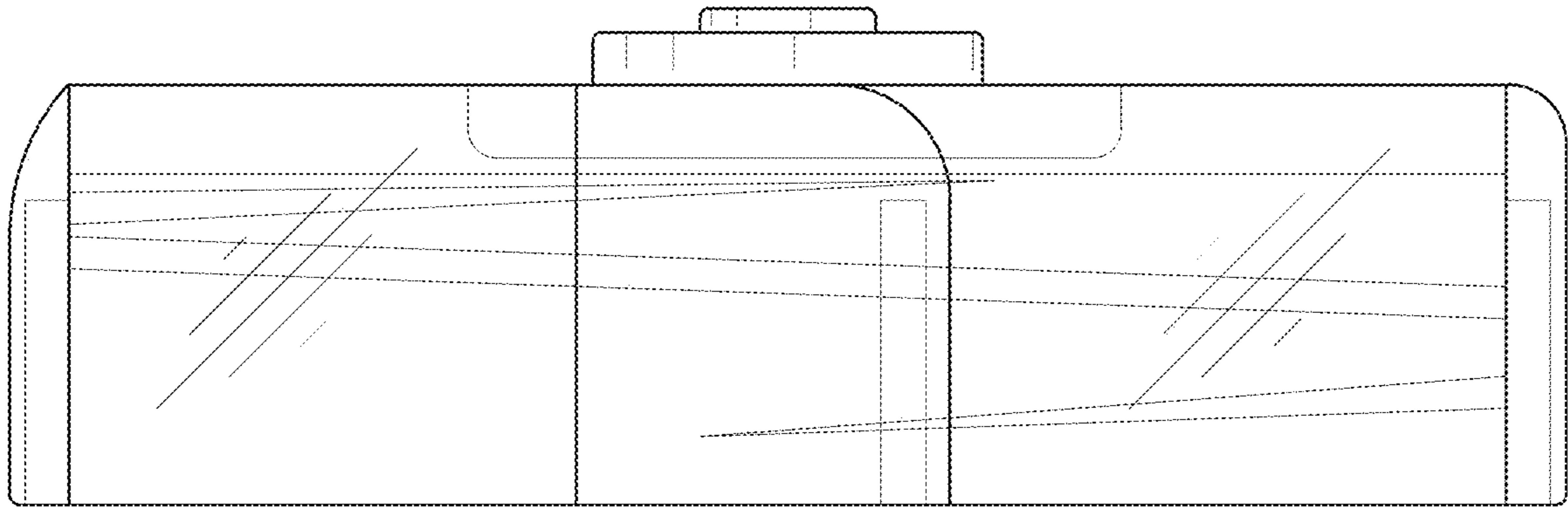


FIG. 8