



US00D885117S

(12) **United States Design Patent** (10) **Patent No.:** **US D885,117 S**  
**Kim** (45) **Date of Patent:** **\*\* May 26, 2020**

(54) **BLENDER**

(56) **References Cited**

(71) Applicant: **NUC ELECTRONICS CO., LTD.**,  
Daegu (KR)

(72) Inventor: **Jong Boo Kim**, Buk-gu (KR)

(73) Assignee: **NUC ELECTRONICS CO., LTD.**,  
Daegu (KR)

(\*\*) Term: **15 Years**

(21) Appl. No.: **35/505,941**

(22) Filed: **Apr. 30, 2018**

(80) **Hague Agreement Data**

Int. Filing Date: **Apr. 30, 2018**

Int. Reg. No.: **DM/102746**

Int. Reg. Date: **Apr. 30, 2018**

Int. Reg. Pub. Date: **Nov. 2, 2018**

(30) **Foreign Application Priority Data**

Oct. 30, 2017 (KR) ..... 30-2017-0050290

(51) **LOC (12) Cl.** ..... **31-00**

(52) **U.S. Cl.**  
USPC ..... **D7/378**

(58) **Field of Classification Search**

USPC ..... D7/412-413, 372, 376-386, 357,  
D7/693-694, 679, 669

CPC ..... A47J 43/04; A47J 43/0465; A47J 43/046;  
A47J 43/0722; A47J 43/0716; A47J  
43/06; B01F 7/162; B01F 3/12

See application file for complete search history.

U.S. PATENT DOCUMENTS

D538,595 S *	3/2007	White	.....	D7/413
D585,709 S *	2/2009	Peterson	.....	D7/693
D616,244 S *	5/2010	Thai	.....	D7/378
D625,141 S *	10/2010	Moore	.....	D7/376
D642,858 S *	8/2011	Lazzer	.....	D7/376
D678,726 S *	3/2013	Palermo	.....	D7/376
D709,326 S *	7/2014	Thai	.....	D7/378
D742,172 S *	11/2015	Dickson, Jr.	.....	D7/376
D749,353 S *	2/2016	De'Longhi	.....	D7/376
D828,080 S *	9/2018	Ou	.....	D7/376
D829,496 S *	10/2018	Kim	.....	D7/378
D842,025 S *	3/2019	Hauser	.....	D7/381
D851,982 S *	6/2019	DeLeo	.....	D7/378

\* cited by examiner

*Primary Examiner* — Robert M. Spear

(74) *Attorney, Agent, or Firm* — Seed IP Law Group LLP

(57) **CLAIM**

The ornamental design for a blender, as shown and described.

**DESCRIPTION**

Figure 1.1 is a front axonometric view of a blender showing my new design;

Figure 1.2 is a front elevational view thereof;

Figure 1.3 is a rear elevational view thereof;

Figure 1.4 is a left side elevational view thereof;

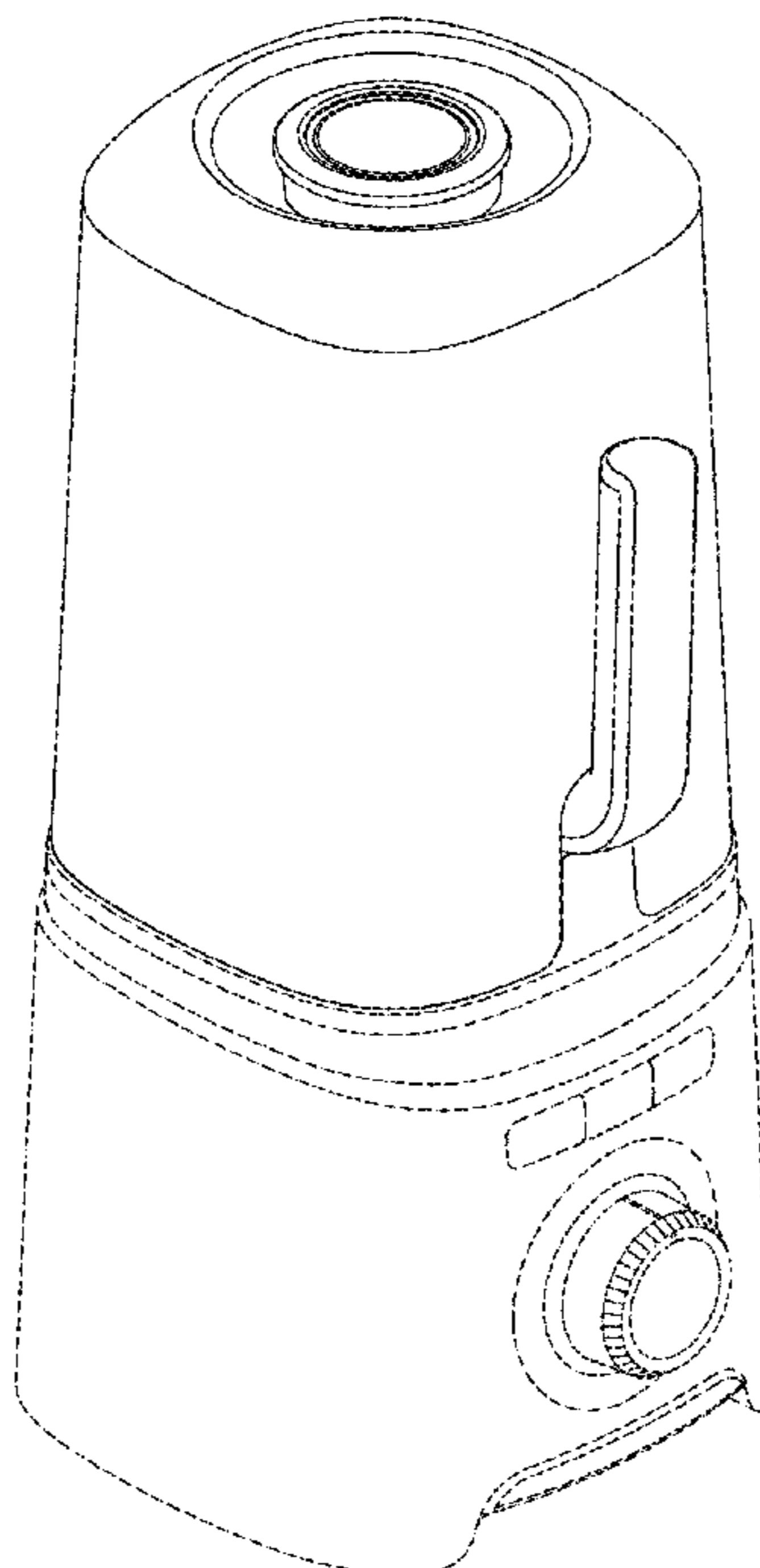
Figure 1.5 is a right side elevational view thereof;

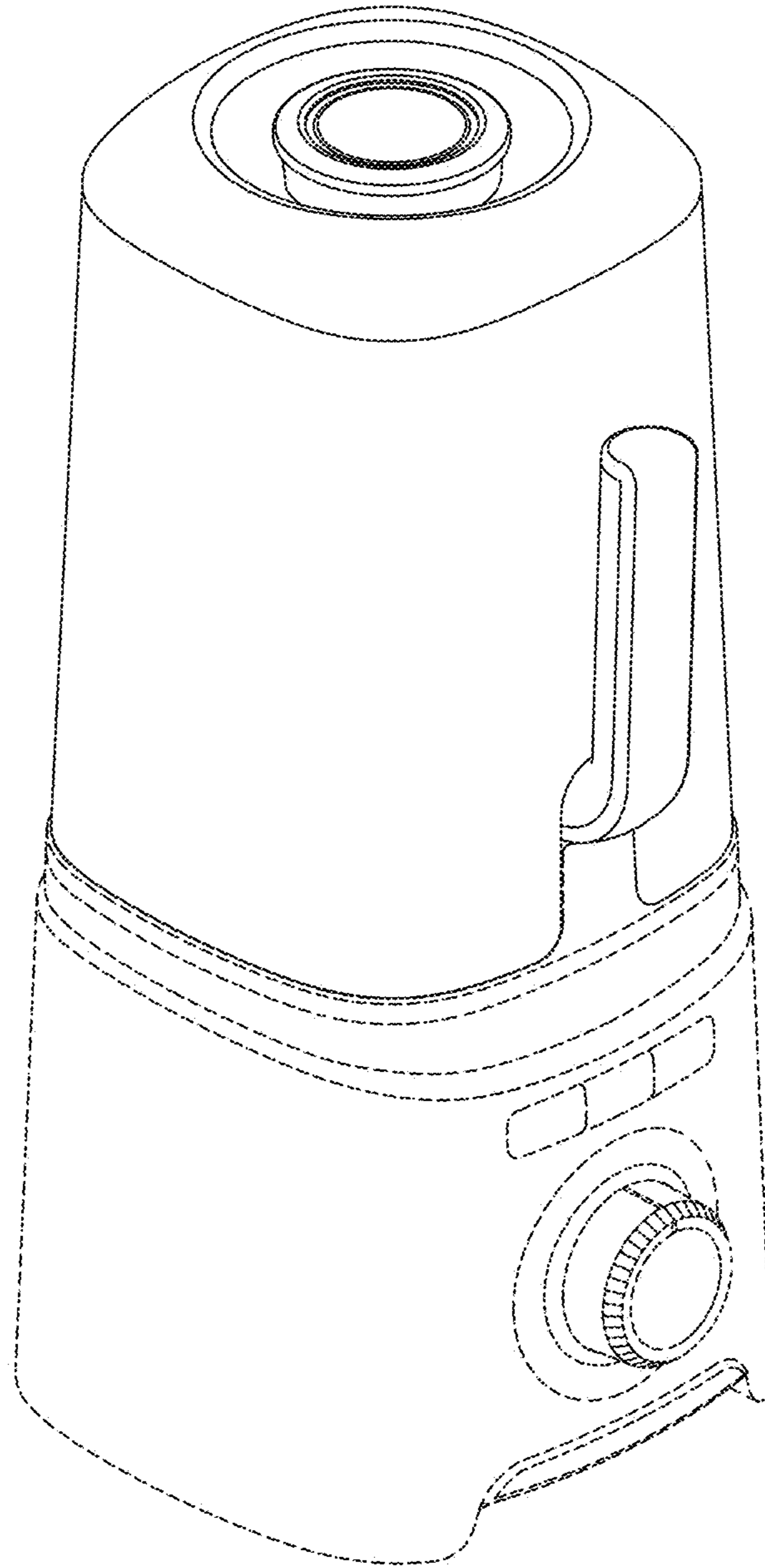
Figure 1.6 is a top plan view thereof; and

Figure 1.7 is a bottom plan view thereof.

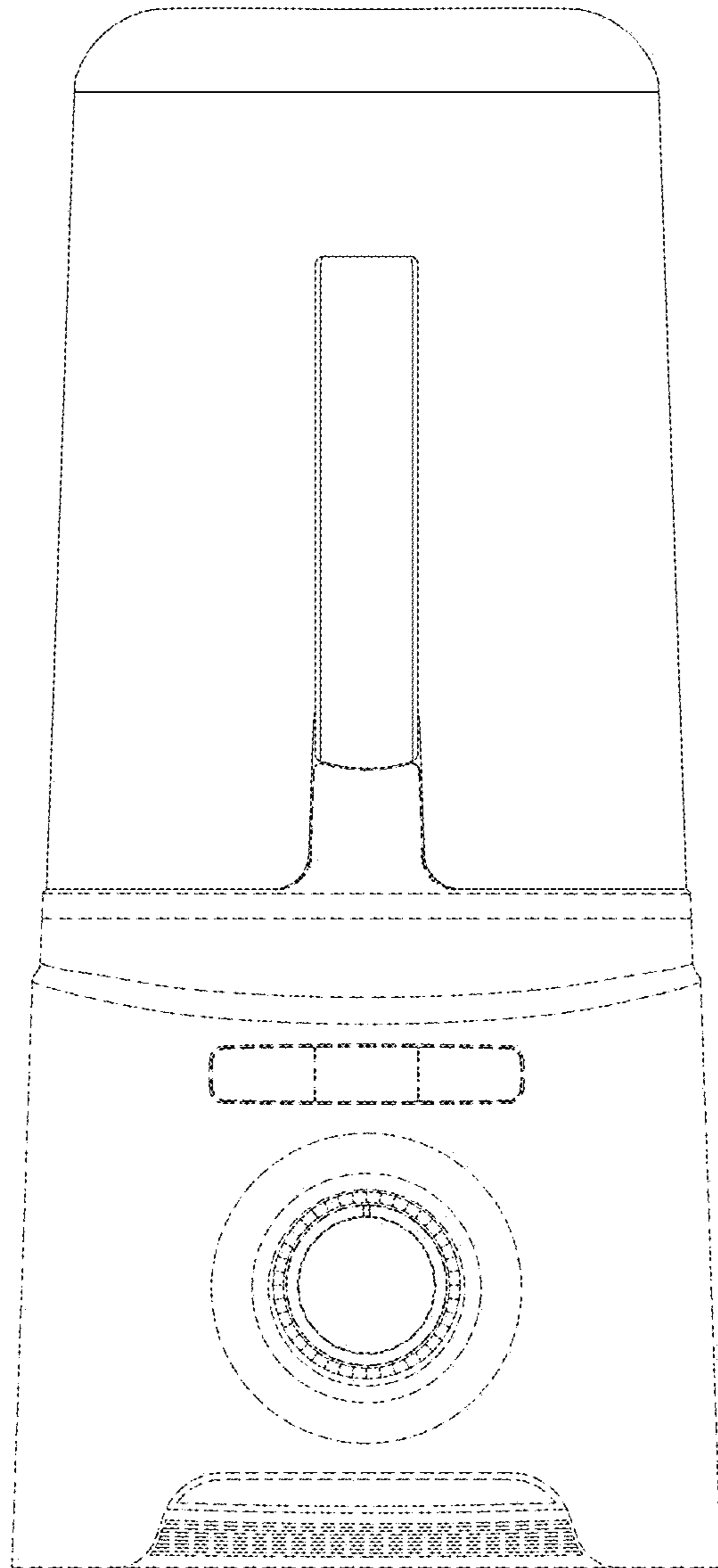
The broken line showing of a blender base depicts environment and forms no part of the claim.

**1 Claim, 7 Drawing Sheets**

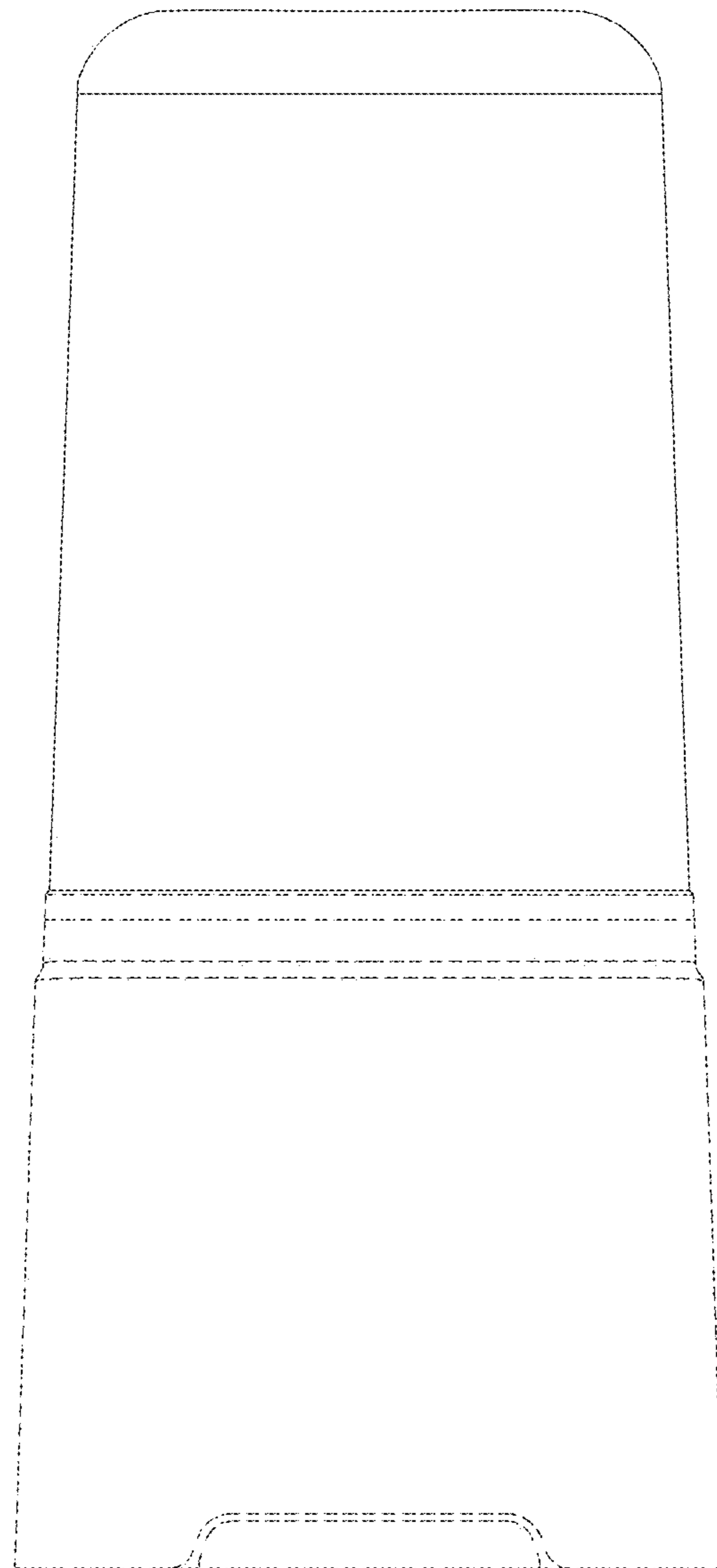




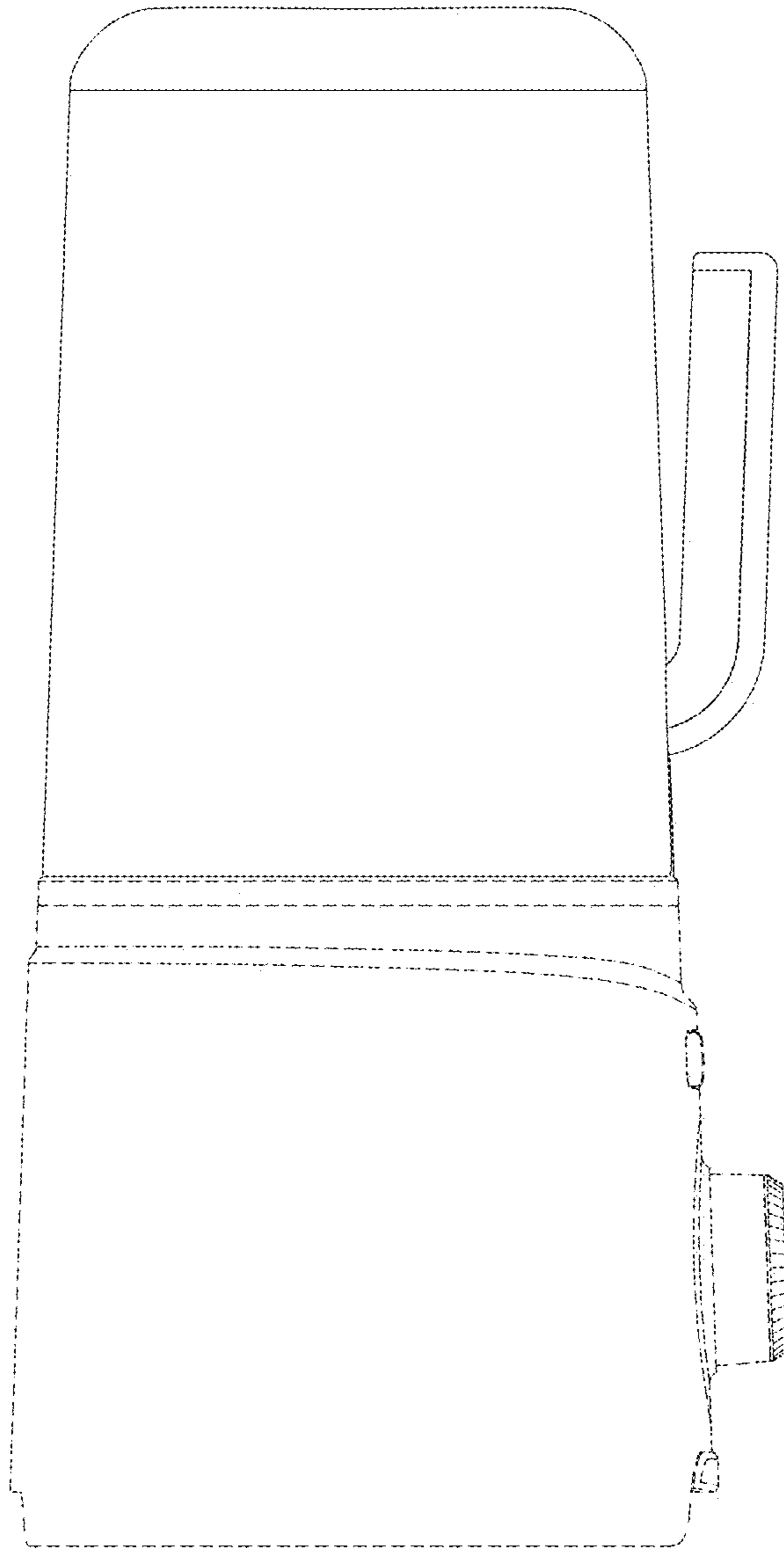
*FIG. 1.1*



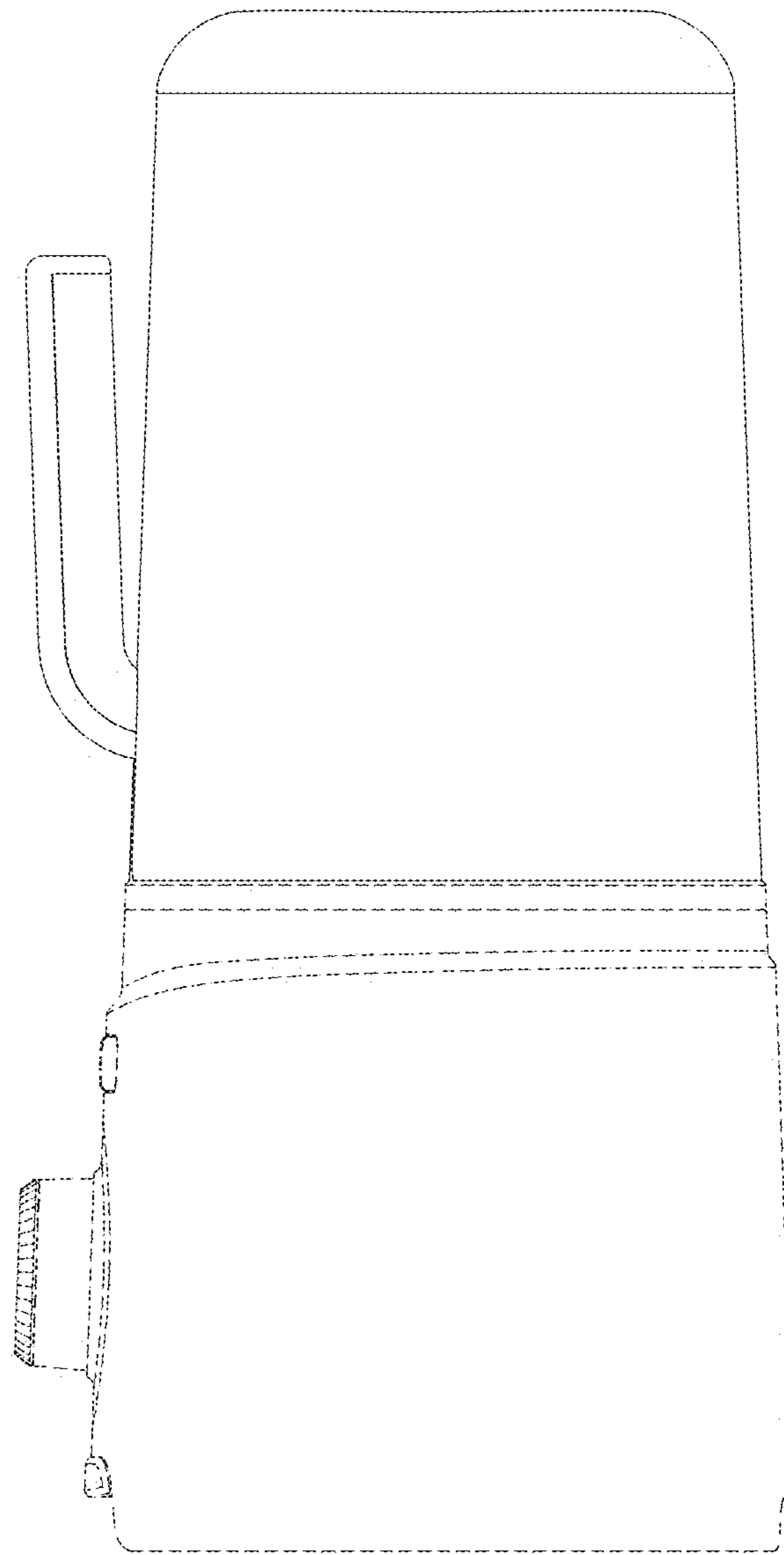
*FIG. 1.2*



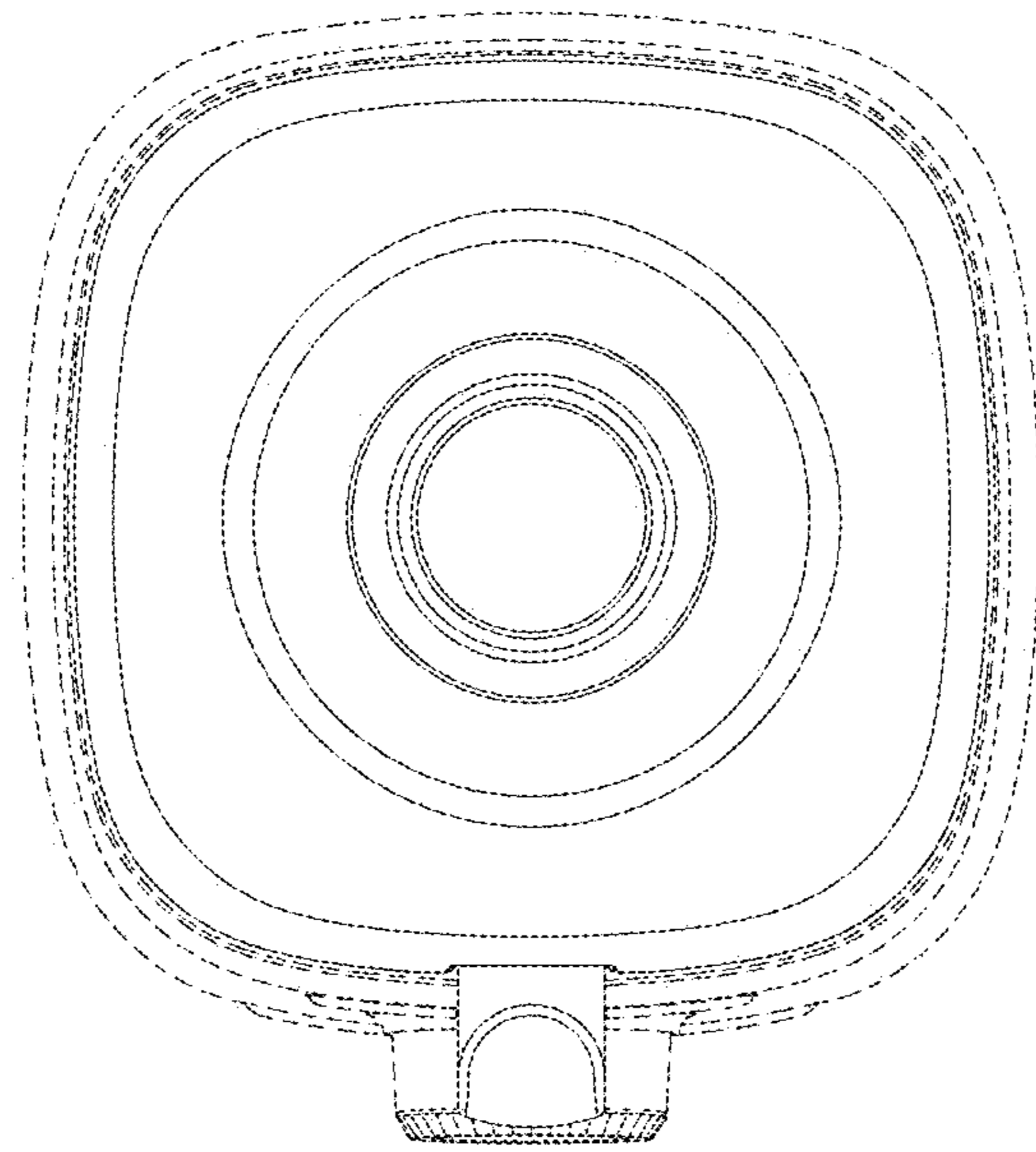
*FIG. 1.3*



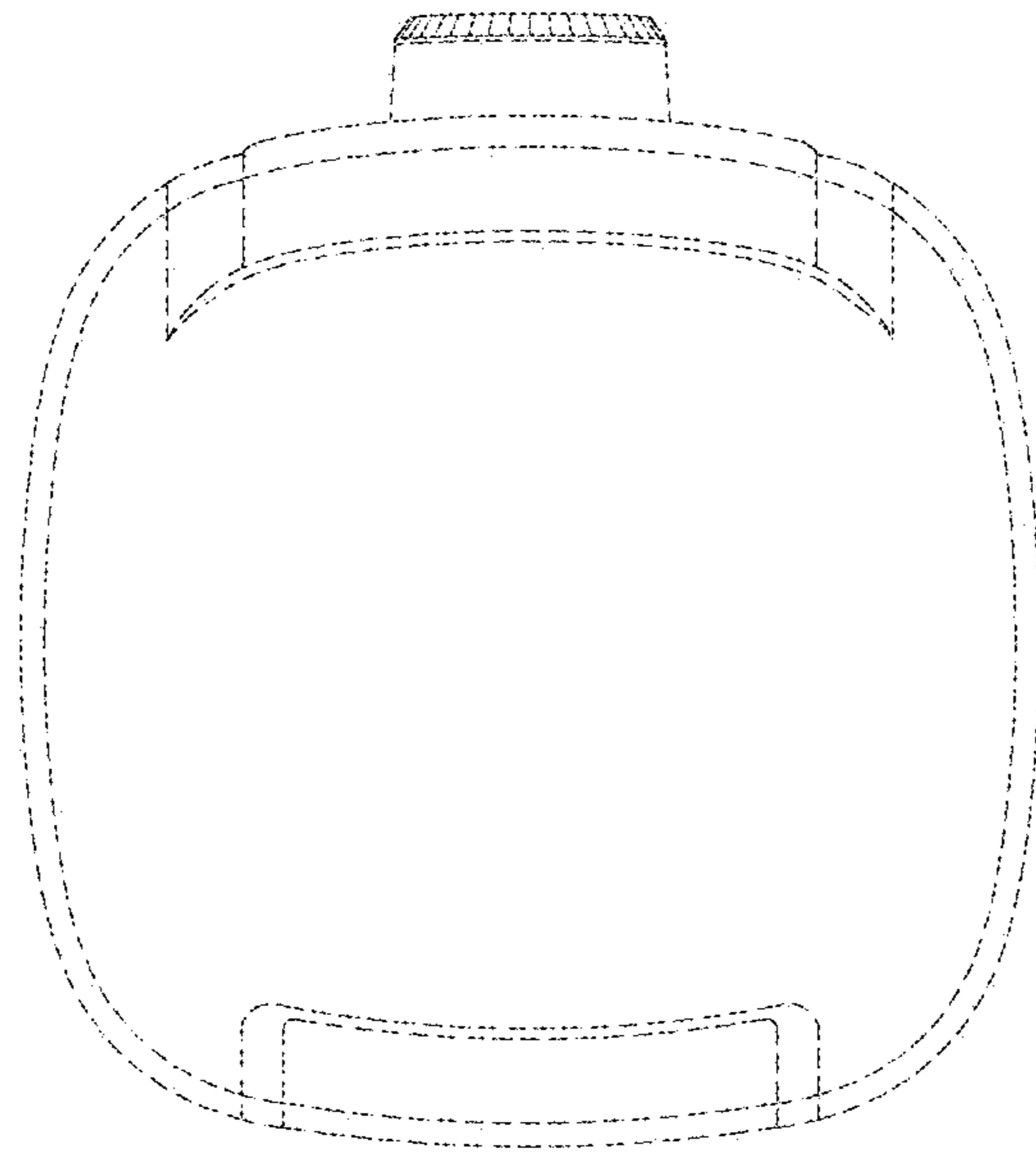
*FIG. 1.4*



*FIG. 1.5*



*FIG. 1.6*



*FIG. 1.7*