



US00D885116S

(12) **United States Design Patent** (10) **Patent No.:** **US D885,116 S**  
**Krivos et al.** (45) **Date of Patent:** **\*\* May 26, 2020**

(54) **BLADE BASE**

(56) **References Cited**

(71) Applicant: **VITA-MIX MANAGEMENT CORPORATION**, Olmsted Township, OH (US)  
(72) Inventors: **Brenton Krivos**, Brunswick, OH (US); **Todd Cassidy**, Medina, OH (US); **Christian C. Stewart**, Berea, OH (US)  
(73) Assignee: **VITA-MIX MANAGEMENT CORPORATION**, Olmsted Township, OH (US)

U.S. PATENT DOCUMENTS

D175,487 S 8/1955 Young  
D284,263 S 6/1986 Resan  
D284,266 S 6/1986 Resan  
D427,053 S 6/2000 Nelson  
D480,915 S ‡ 10/2003 Kolar ..... D7/413  
D524,613 S ‡ 7/2006 Chen  
D545,126 S 6/2007 White  
D587,526 S ‡ 3/2009 Barnard ..... D7/413  
D588,406 S ‡ 3/2009 Ulanski ..... D7/413  
7,600,706 B2 10/2009 Huang  
(Continued)

(\*\*) Term: **15 Years**

OTHER PUBLICATIONS

(21) Appl. No.: **29/677,741**

<http://www.amazon.com/dp/B00KDLMF3Q>—Listed on May 16, 2014.

(22) Filed: **Jan. 23, 2019**

(Continued)

**Related U.S. Application Data**

(62) Division of application No. 29/557,077, filed on Mar. 4, 2016, now Pat. No. Des. 839,042.

(51) **LOC (12) Cl.** ..... **31-00**

(52) **U.S. Cl.**  
USPC ..... **D7/378; D7/413**

(58) **Field of Classification Search**  
USPC ..... D15/7, 9, 10, 13, 17, 27, 28, 122, 123, D15/124, 125, 126, 127, 128, 129, 138, D15/139, 140, 141, 199; D8/20, 23, 25, D8/41, 47, 54, 55, 58, 61, 64, 66, 70, 86, D8/98, 99, 352, 366, 376, 387, 397; D7/693, 394, 372, 376, 378, 381, 383, D7/384, 385, 412; D9/767, 768, 772, D9/782  
CPC .... B25D 3/00; B25D 17/02; B25D 2250/111; B25D 2211/003; B25D 16/00; E21B 10/52; E21B 10/16; E21B 10/567; C03B 23/047; C03B 23/0496  
See application file for complete search history.

*Primary Examiner* — Khawaja Anwar  
*Assistant Examiner* — Mojtaba Tehrani  
(74) *Attorney, Agent, or Firm* — McDonald Hopkins LLC

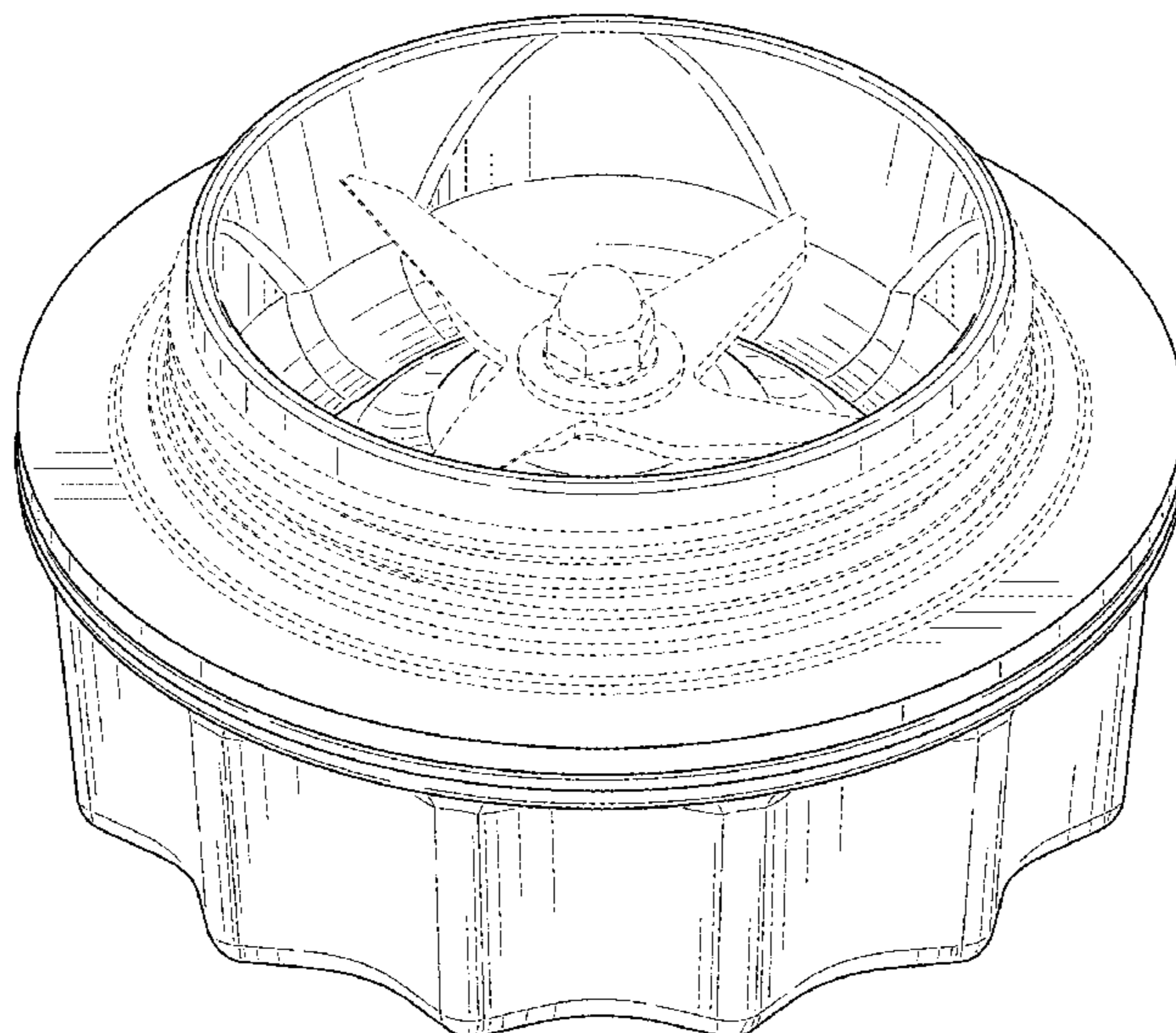
(57) **CLAIM**

The ornamental design for a blade base, as shown and described.

**DESCRIPTION**

FIG. 1 is a perspective view of a blade base showing out new design;  
FIG. 2 is a front side view thereof;  
FIG. 3 is a back side view thereof;  
FIG. 4 is a first side view thereof;  
FIG. 5 is a second side view thereof;  
FIG. 6 is a top view thereof; and,  
FIG. 7 is a bottom view thereof.  
The broken lines in the drawings depict unclaimed portions of the blade base only and forms no part of the claimed design.

**1 Claim, 5 Drawing Sheets**



(56)

References Cited

U.S. PATENT DOCUMENTS

D621,656 S ‡ 8/2010 Ulanski ..... D7/378  
 D633,356 S 3/2011 Dircksen  
 D635,164 S 3/2011 Nelson  
 D644,673 S \* 9/2011 Drenth ..... D15/138  
 D646,153 S \* 10/2011 Andersson ..... D8/397  
 D646,154 S \* 10/2011 Andersson ..... D8/397  
 D647,789 S 11/2011 McGowan  
 D662,359 S ‡ 6/2012 Boozer ..... D7/376  
 D678,727 S ‡ 3/2013 Kolar ..... D7/533  
 D679,988 S 4/2013 Yamazaki  
 8,529,120 B2 ‡ 9/2013 Ulanski ..... B01F 15/00831  
 241/28  
 D710,411 S 8/2014 Mastubara  
 D711,733 S 8/2014 Whitmer et al.  
 8,814,011 B2 ‡ 8/2014 Ulanski ..... B01F 15/00831  
 222/57  
 D713,705 S 9/2014 Mina et al.  
 D713,715 S 9/2014 Kury  
 D721,423 S 1/2015 Jacques et al.  
 D725,461 S 3/2015 Kopp  
 D728,356 S 5/2015 Kury  
 D738,685 S 9/2015 Sands  
 D739,695 S 9/2015 Chang  
 D748,464 S 2/2016 Kury  
 D760,308 S \* 6/2016 Krishnegowda ..... D15/139  
 D770,227 S 11/2016 Crawford

D783,353 S 4/2017 Smith  
 D798,701 S \* 10/2017 Hill ..... F16B 35/00  
 D8/397  
 D800,498 S 10/2017 Lee  
 D801,750 S 11/2017 Boozer et al.  
 D803,650 S 11/2017 Umbrell  
 D806,528 S 1/2018 Bada  
 D832,319 S \* 10/2018 Muthuswamy ..... D15/139  
 D834,404 S \* 11/2018 Pista ..... D8/387  
 D834,879 S \* 12/2018 Krivos ..... D7/391  
 D839,042 S \* 1/2019 Krivos ..... D7/378  
 D859,973 S \* 9/2019 Foerster, Jr. .... D8/397  
 D865,823 S \* 11/2019 Abe ..... D15/139  
 D866,294 S \* 11/2019 Fechner ..... D8/352  
 D869,945 S \* 12/2019 Evans ..... D8/397  
 2011/0031152 A1 \* 2/2011 Petlak ..... B65D 1/34  
 206/503  
 2015/0265983 A1 ‡ 9/2015 Fleming ..... B01F 13/047  
 366/20

OTHER PUBLICATIONS

<http://www.amazon.com/dp/B07BGD5338>—Listed on Nov. 30, 2015.  
<http://www.amazon.com/dp/B00JS8S2IC>—Listed on Apr. 18, 2014.  
<http://www.amazon.com/dp/B077HF3PT2>—Listed Nov. 15, 2017.

\* cited by examiner

‡ imported from a related application

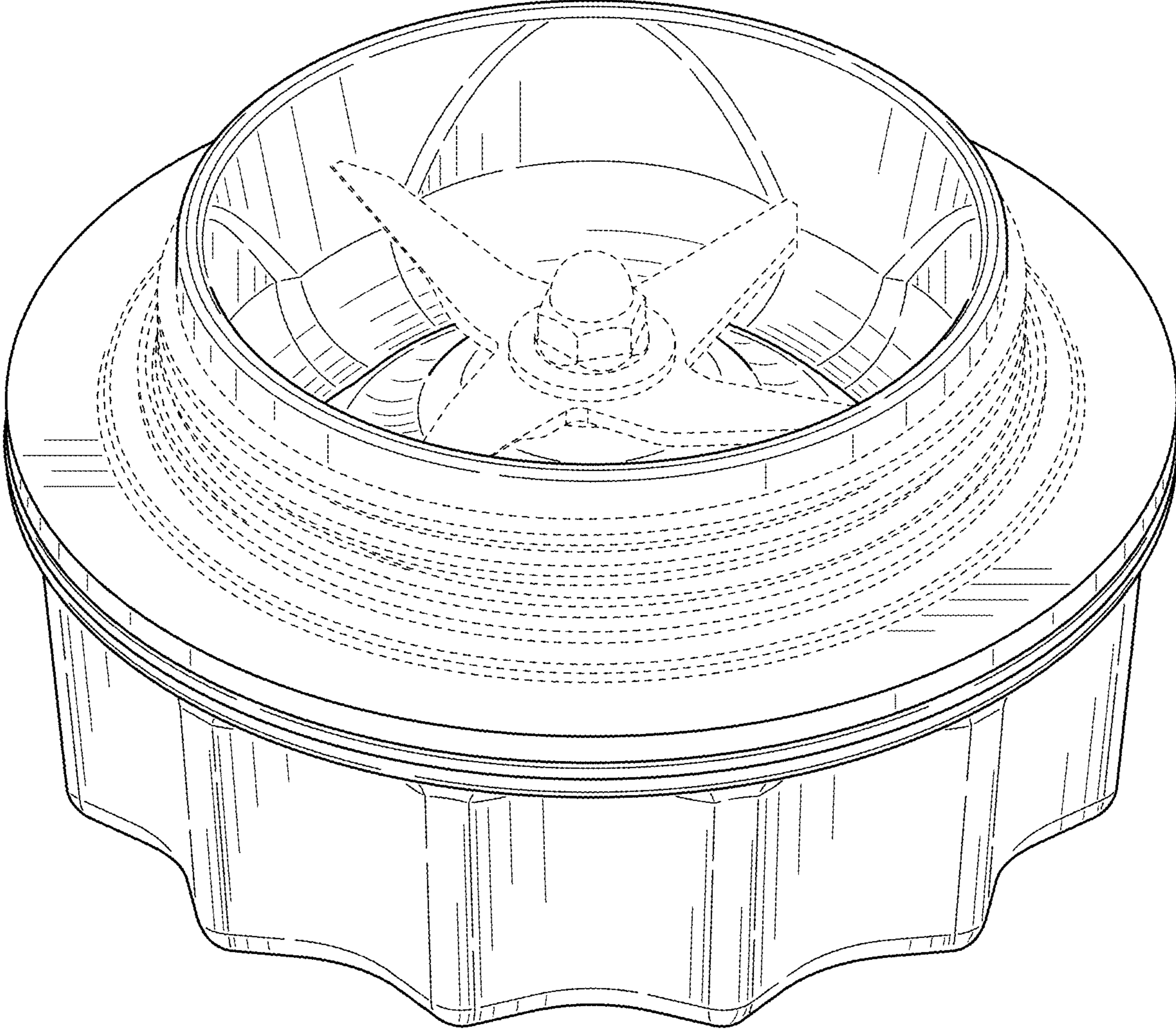


FIG. 1

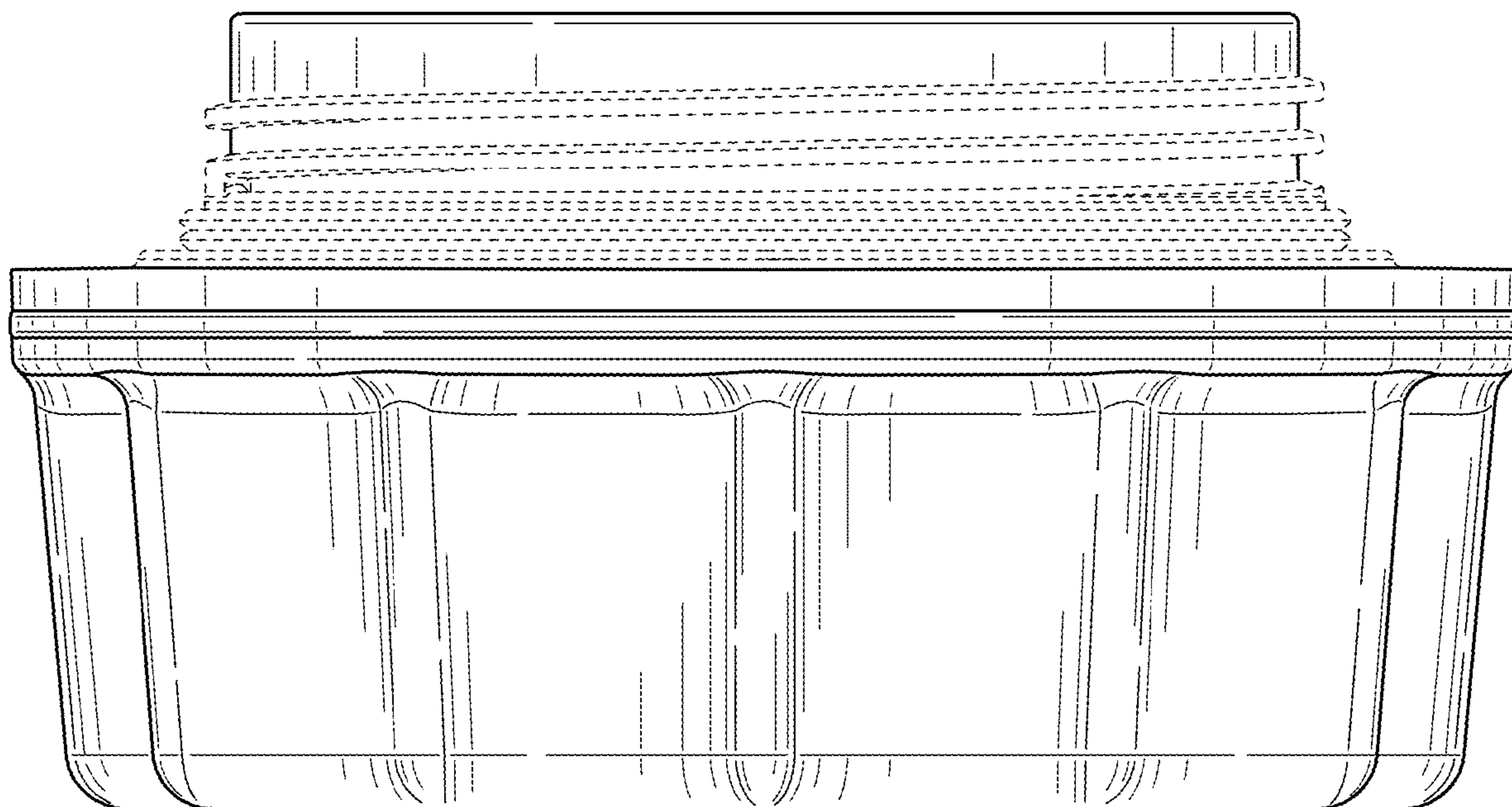


FIG. 2

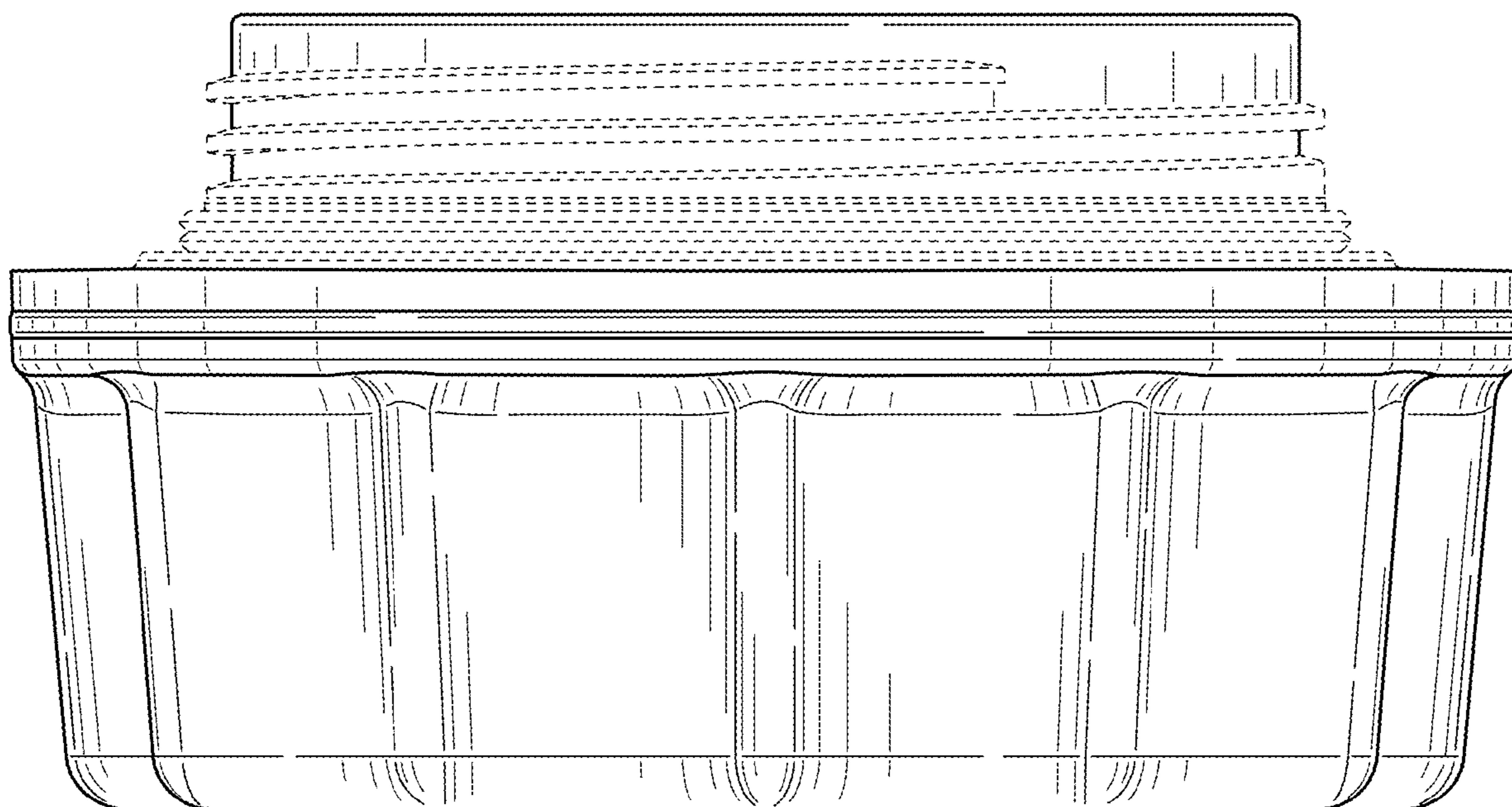


FIG. 3

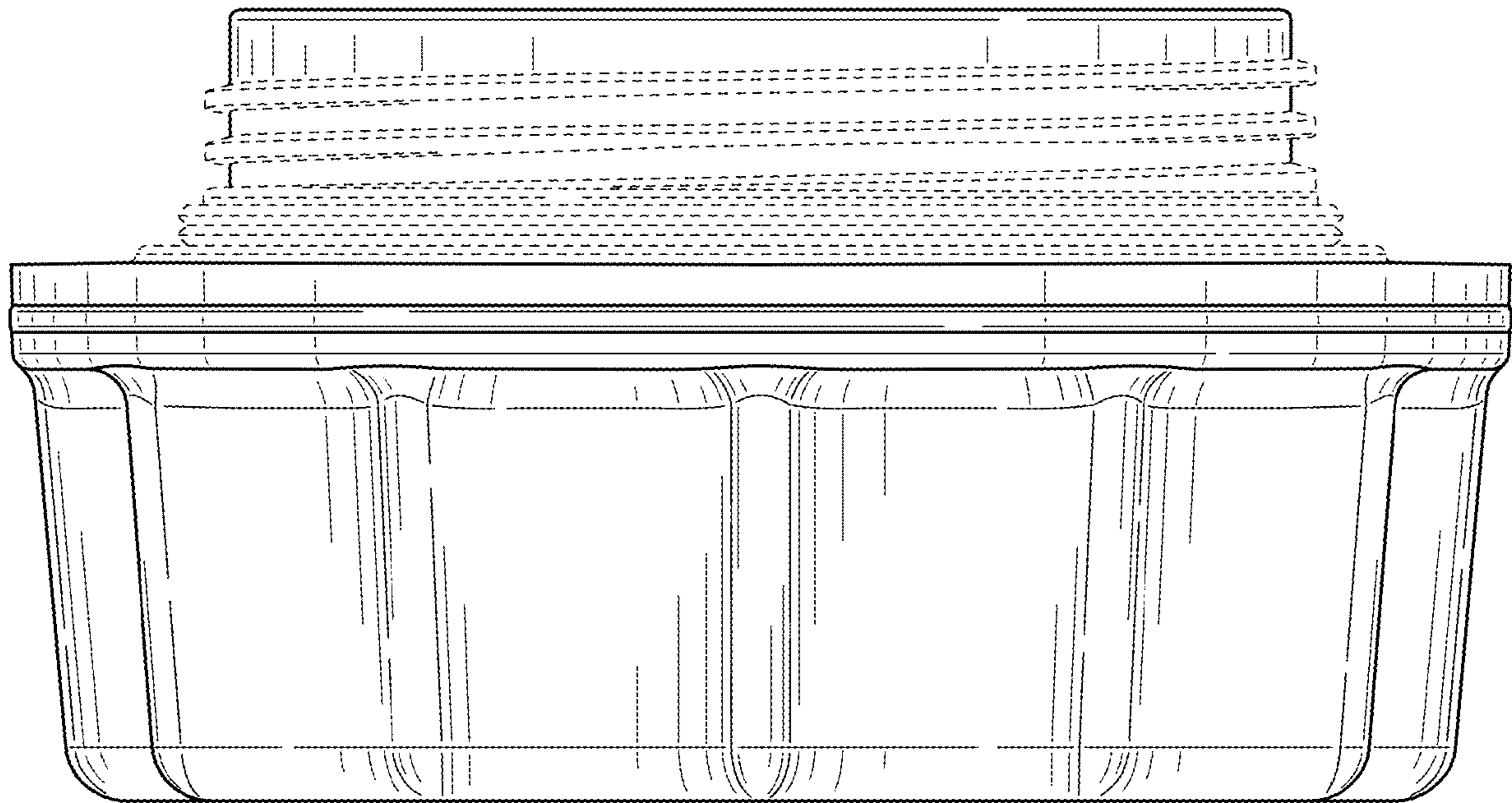


FIG. 4

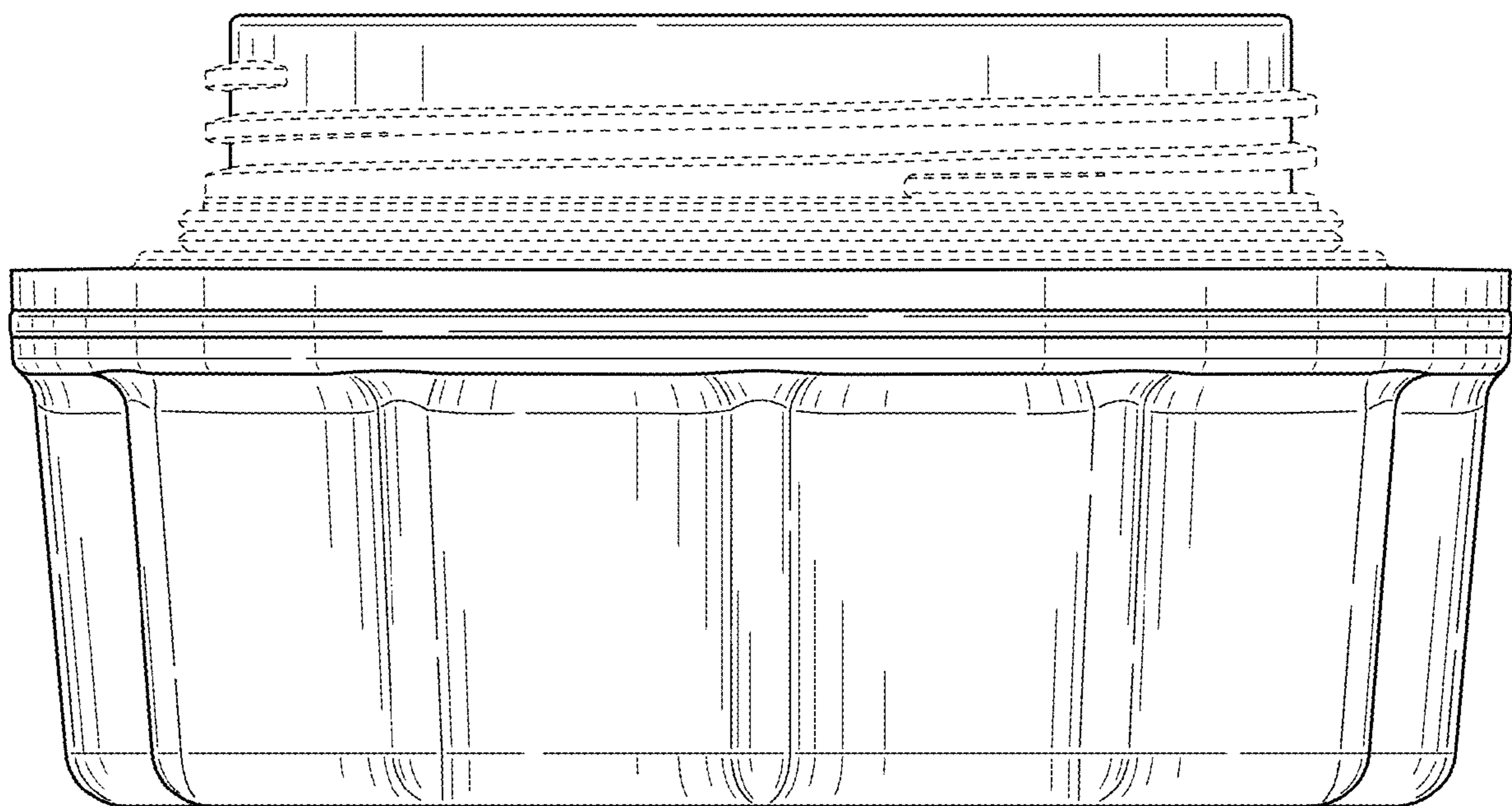


FIG. 5

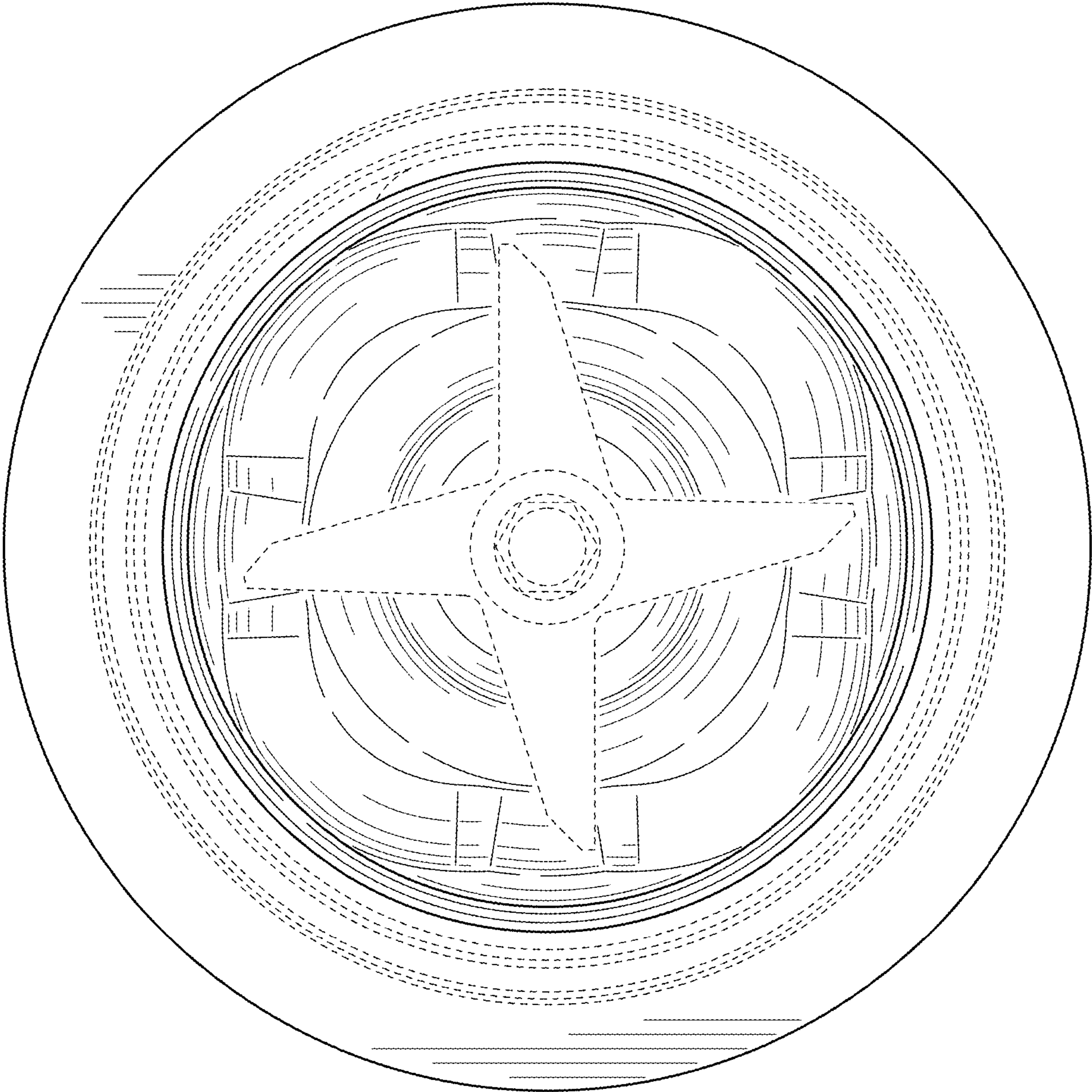


FIG. 6

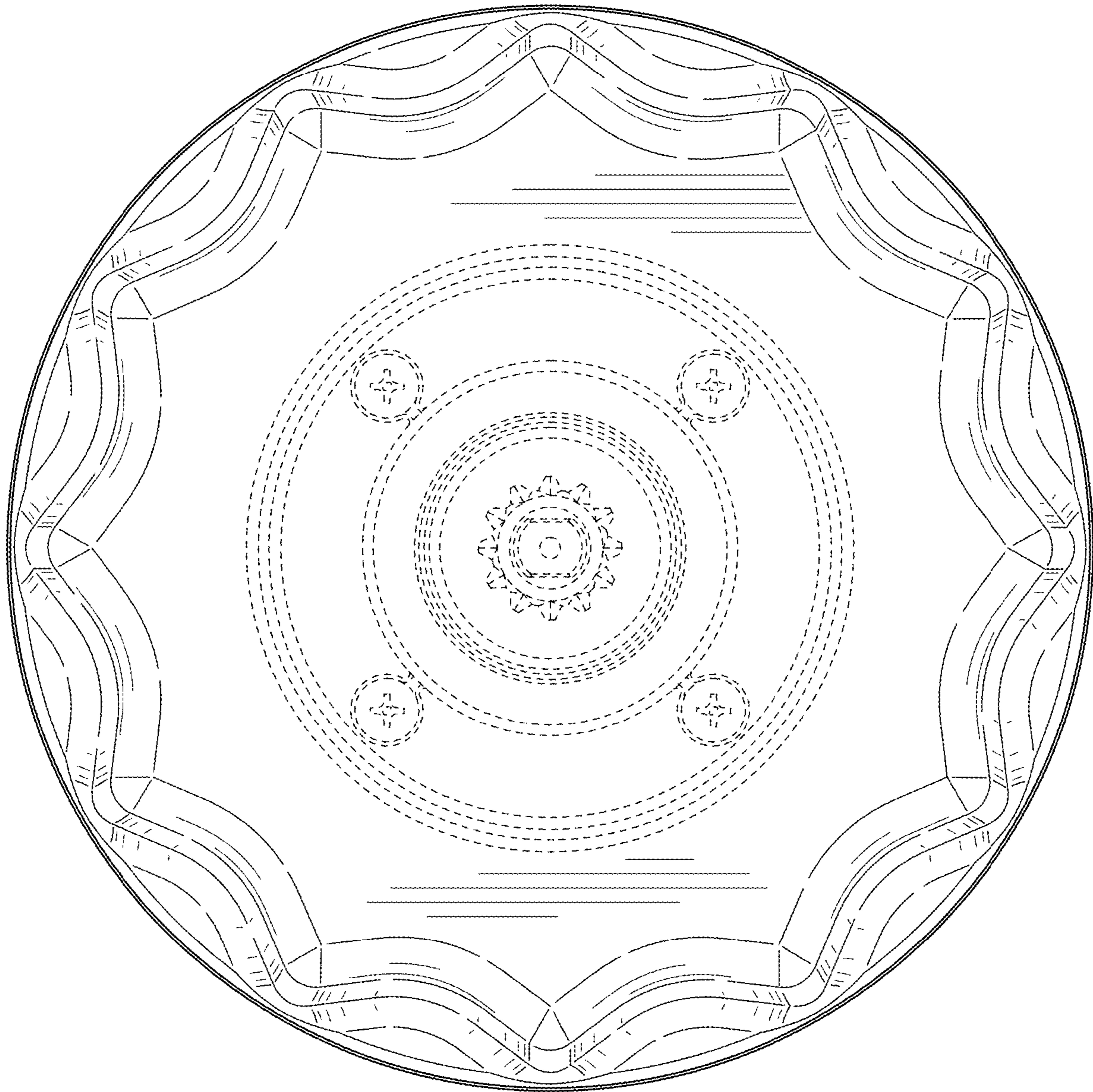


FIG. 7