



US00D885115S

(12) **United States Design Patent**
Cloutier et al.

(10) **Patent No.:** **US D885,115 S**

(45) **Date of Patent:** **** May 26, 2020**

- (54) **STEAK COOKER**
- (71) Applicant: **Magellan Home-Goods, Ltd.**, Blaine, WA (US)
- (72) Inventors: **Andre Dean Cloutier**, Blaine, WA (US); **Debra Lynne Sasken-Duff**, Blaine, WA (US)
- (73) Assignee: **Magellan Home-Goods, Ltd.**, Blaine, WA (US)

| | | | |
|--------------|---------|---------------|--------|
| 1,800,653 A | 4/1931 | Stewart | |
| 1,945,165 A | 1/1934 | Smith | |
| D117,967 S | 12/1939 | Beltram | |
| 2,241,317 A | 5/1941 | Pringle | |
| 2,280,131 A | 4/1942 | Caesar et al. | |
| D154,967 S | 8/1949 | Watkins | |
| 2,545,005 A | 3/1951 | Russell | |
| D164,107 S * | 7/1951 | Doblin | D7/686 |
| D166,780 S | 5/1952 | Watkins | |
| 2,827,847 A | 3/1958 | Shafter | |
| D188,501 S | 8/1960 | Wood | |
| D197,663 S | 3/1964 | Ward | |
| 3,207,059 A | 9/1965 | Hirons | |

(**) Term: **15 Years**

- (21) Appl. No.: **29/653,885**
- (22) Filed: **Jun. 19, 2018**
- (51) **LOC (12) Cl.** **07-02**
- (52) **U.S. Cl.**
USPC **D7/352**
- (58) **Field of Classification Search**
USPC D7/323, 327, 332, 334, 337, 346,
D7/352-353, 362-367, 402, 407-411,
D7/354, 358, 361, 669, 359, 360
CPC A47J 37/0611; A47J 2037/0617; A47J
37/0763; A47J 37/0676; A47J 37/0713;
A47J 2037/0777

See application file for complete search history.

(56) **References Cited**

U.S. PATENT DOCUMENTS

| | | |
|-------------|---------|-----------|
| D8,650 S | 9/1875 | Warben |
| 181,823 A | 9/1876 | Cornwall |
| 215,711 A | 5/1879 | Adams |
| 389,602 A | 9/1888 | Sankey |
| 498,984 A | 6/1893 | Monachesi |
| 873,589 A | 12/1907 | Parry |
| 1,091,877 A | 3/1914 | Collis |
| D48,170 S | 11/1915 | Collet |
| 1,202,496 A | 10/1916 | Ericksen |
| 1,591,291 A | 7/1926 | Detwiler |
| 1,706,516 A | 3/1929 | Bennett |

OTHER PUBLICATIONS

Williams-Sonoma, <http://www.williams-sonoma.com/products/chefs-press/?pkey=coutdoor-grill-tool-asscess>, 2011, 4 pages.

Primary Examiner — Brett Miller

(74) Attorney, Agent, or Firm — Schacht Law Office, Inc.; Dwayne Rogge

(57) **CLAIM**

The ornamental design for a steak cooker, as shown and described.

DESCRIPTION

FIG. 1 is a top perspective view of the steak cooker showing our new design.

FIG. 2 is a right-side view thereof.

FIG. 3 is a left side view thereof.

FIG. 4 is a top view thereof.

FIG. 5 is a bottom view thereof.

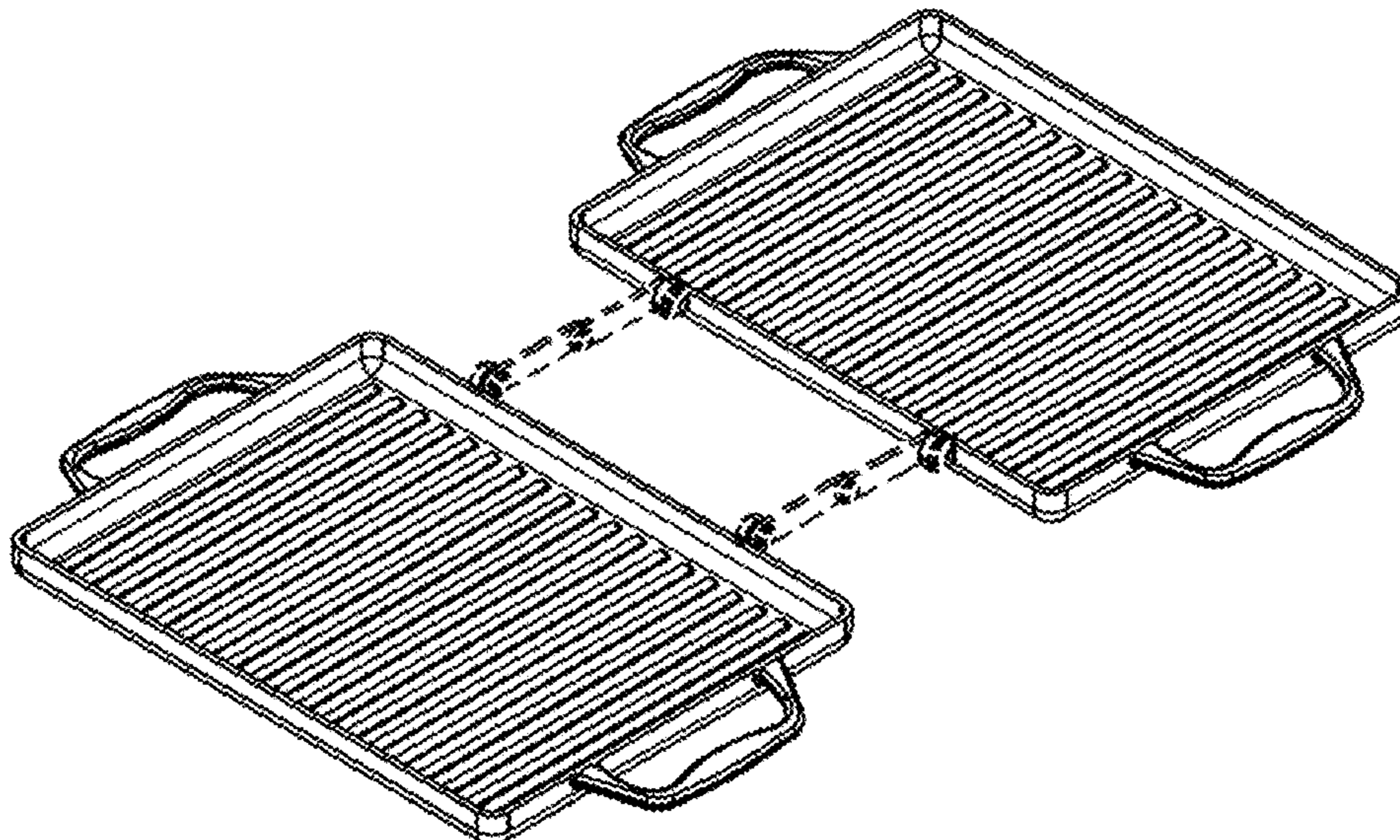
FIG. 6 is a rear view thereof.

FIG. 7 is a front view thereof; and,

FIG. 8 is a side view in a folded configuration.

Broken lines shown illustrate portions of the steak cooker that form no part of the claimed design.

1 Claim, 3 Drawing Sheets



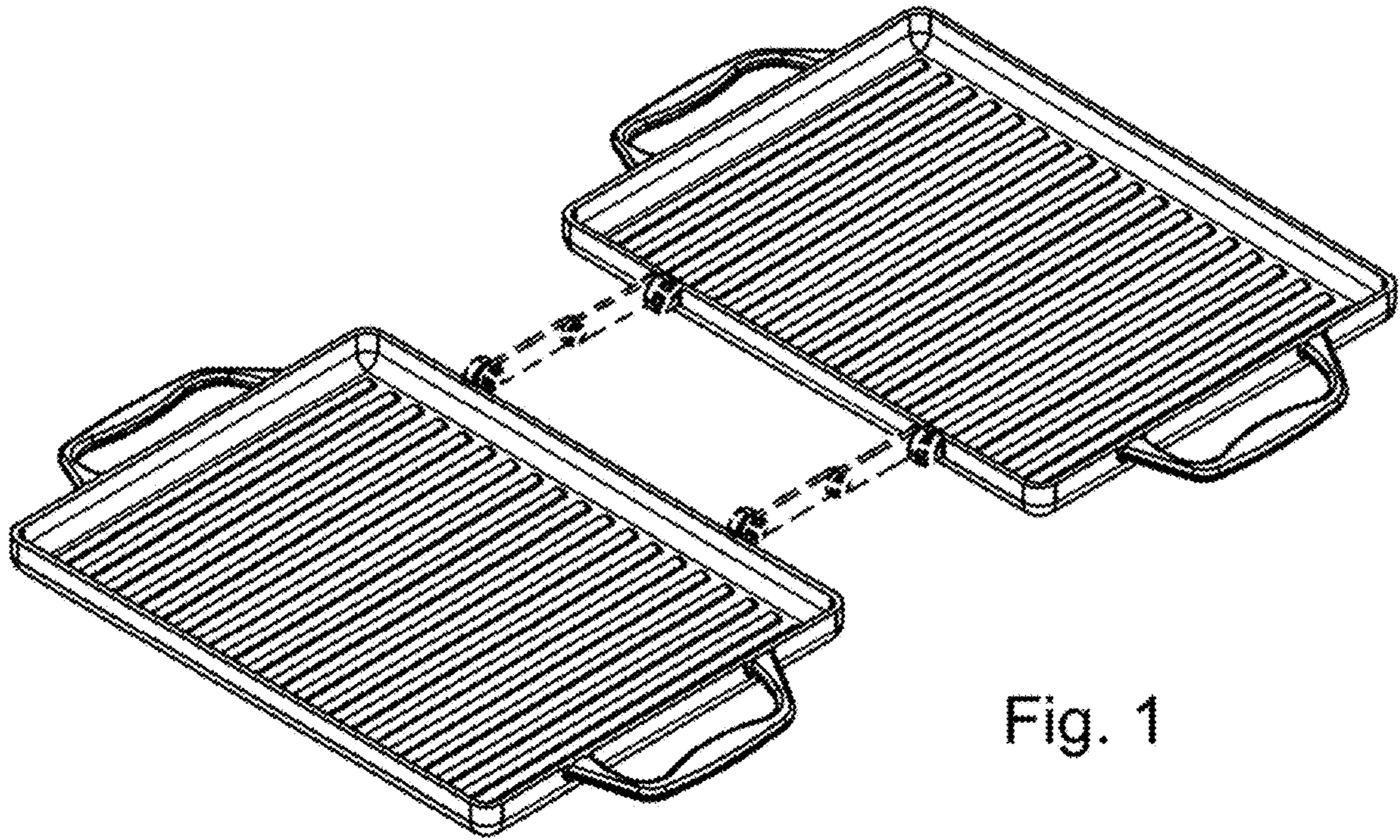


Fig. 1



Fig. 2



Fig. 3

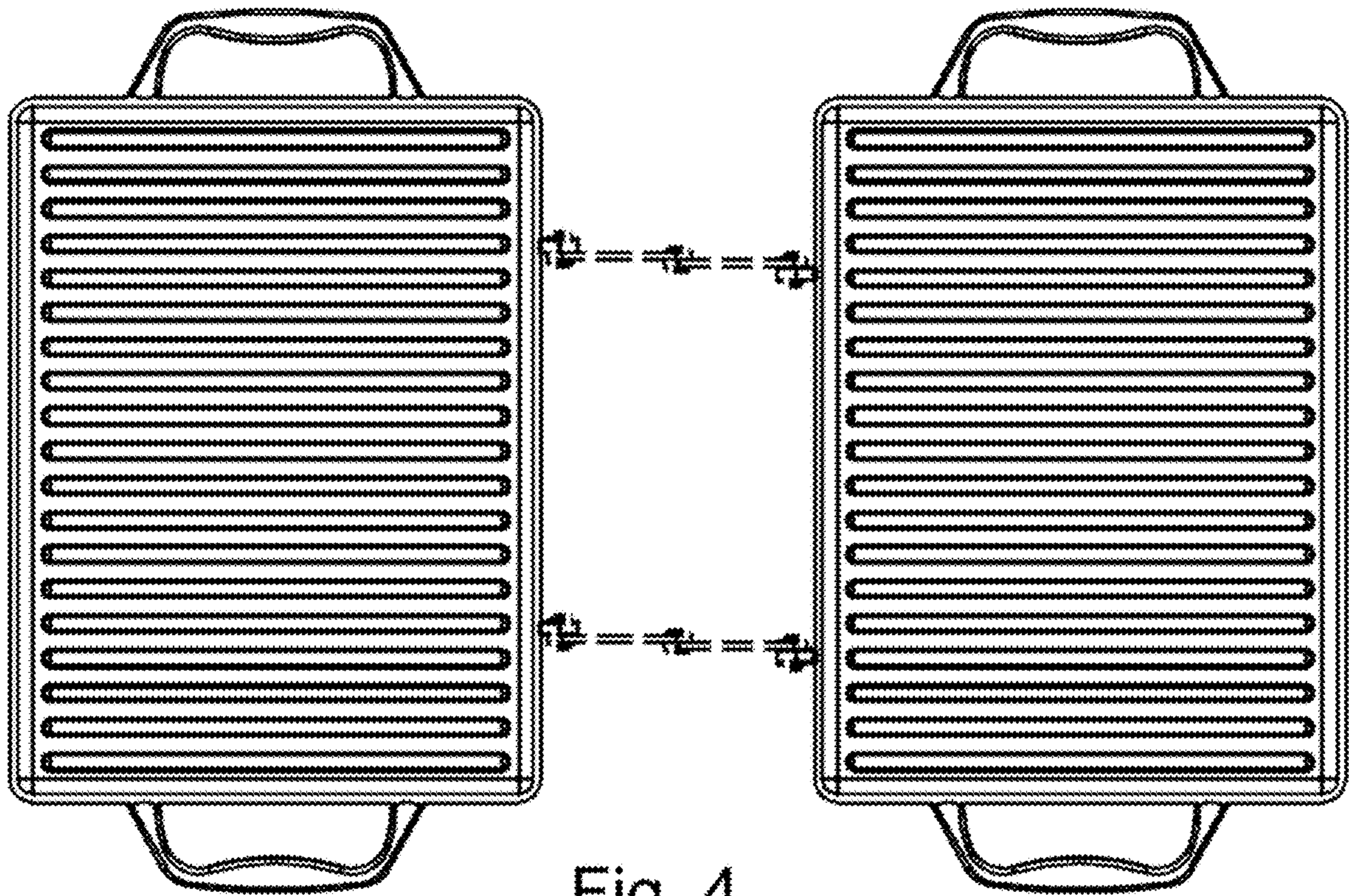


Fig. 4

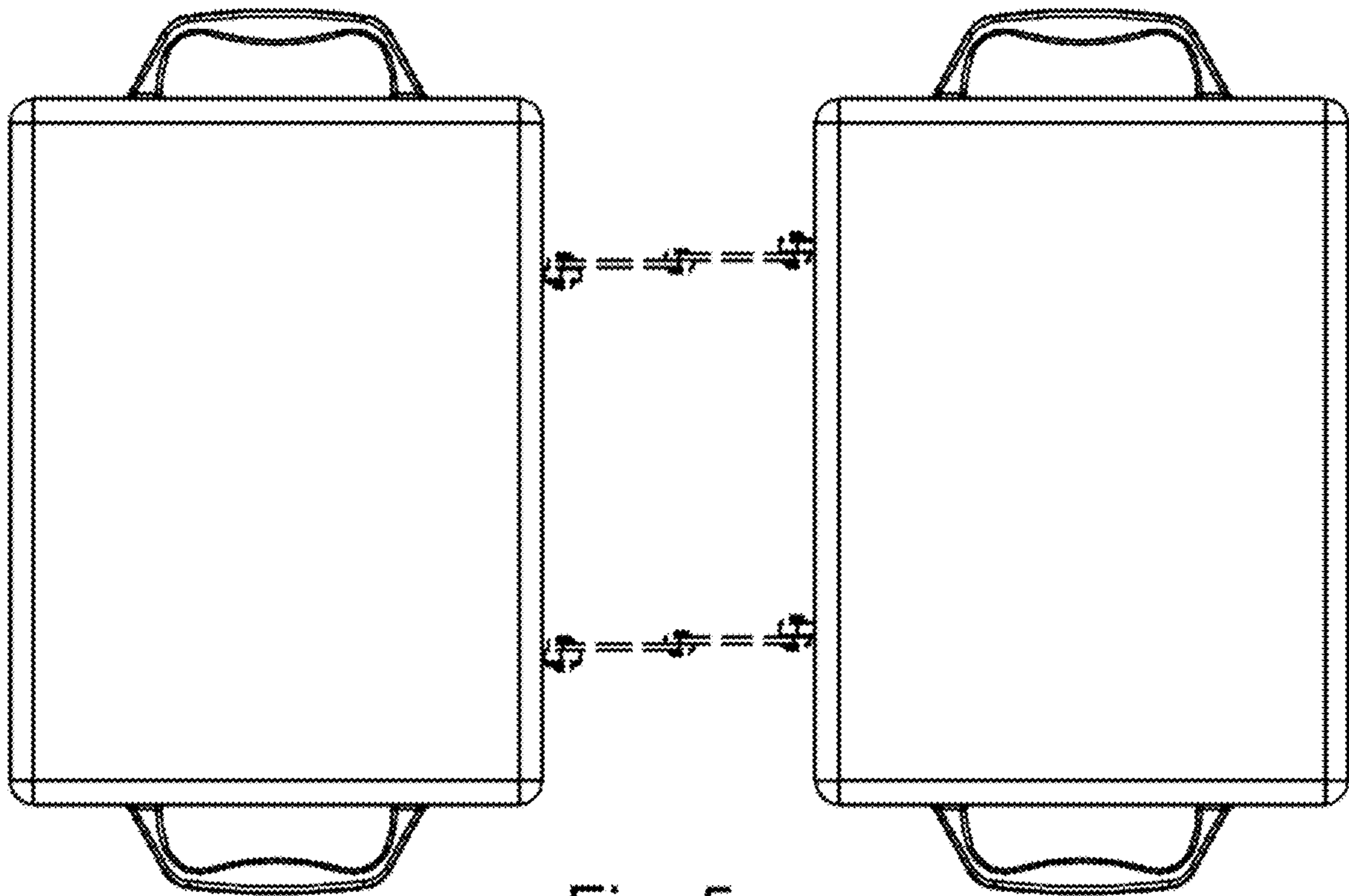


Fig. 5

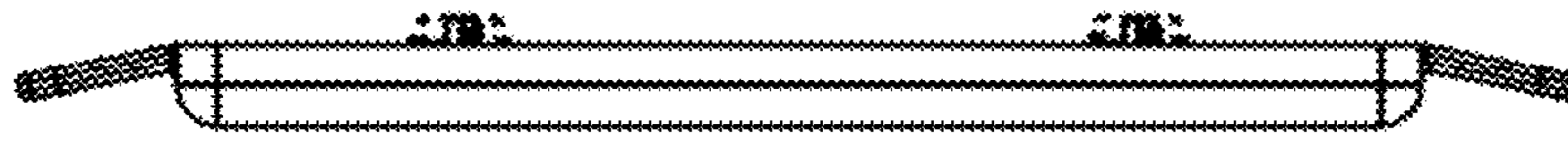


Fig. 6

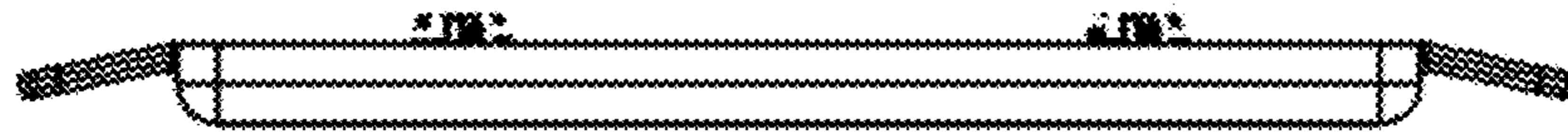


Fig. 7

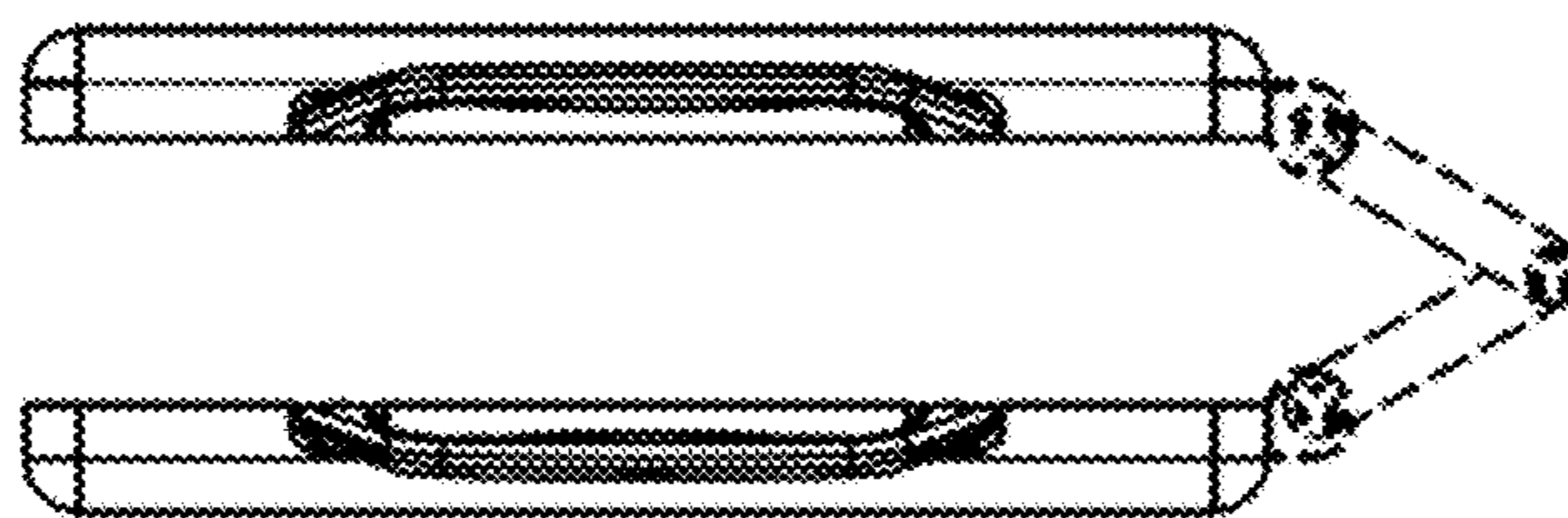


Fig. 8