



US00D885114S

(12) **United States Design Patent** (10) **Patent No.:** **US D885,114 S**  
**Zhou** (45) **Date of Patent:** **\*\* \*May 26, 2020**

(54) **ELECTRIC FRYER**  
(71) Applicant: **ILLINOIS TOOL WORKS INC.**,  
Glenview, IL (US)  
(72) Inventor: **Zhanhua Zhou**, Guangzhou (CN)  
(73) Assignee: **ILLINOIS TOOL WORKS INC.**,  
Glenview, IL (US)  
(\* ) Notice: This patent is subject to a terminal dis-  
claimer.  
(\*\* ) Term: **15 Years**  
(21) Appl. No.: **29/658,267**  
(22) Filed: **Jul. 30, 2018**  
(30) **Foreign Application Priority Data**

Feb. 1, 2018 (CN) ..... 2018 3 0047736  
(51) **LOC (12) Cl.** ..... **07-02**  
(52) **U.S. Cl.**  
USPC ..... **D7/339**  
(58) **Field of Classification Search**  
USPC ..... D7/323, 339, 350.4, 354-361  
CPC ..... A23L 1/01; A23L 1/0107; A23L 1/0114;  
A47J 27/00; A47J 27/08; A47J 27/09;  
A47J 27/092; A47J 36/025; A47J 36/06;  
A47J 36/08; A47J 36/10; A47J 36/12;  
A47J 36/165; A47J 36/18; A47J 36/20;  
A47J 36/22; A47J 37/00; A47J 37/12;  
A47J 37/1204; A47J 37/1209; A47J  
37/1214; A47J 37/1219; A47J 37/1223;  
A47J 37/1247; A47J 37/1257; A47J  
37/1266; A47J 37/1285; A47J 37/129;  
A47J 37/1295; G07F 17/0064; G07F  
17/0078; G07F 17/0085; H05B 6/02;  
H05B 6/06; H05B 6/12

See application file for complete search history.

(56) **References Cited**  
U.S. PATENT DOCUMENTS  
3,242,849 A \* 3/1966 Wells ..... A47J 37/1219  
99/411  
D215,383 S \* 9/1969 Moore ..... D7/339  
3,525,299 A \* 8/1970 Gouwens ..... A47J 37/1219  
99/336  
3,720,155 A \* 3/1973 Fritzsche ..... A47J 37/1257  
99/337  
D242,947 S \* 1/1977 Graham ..... D7/354  
4,487,691 A \* 12/1984 Panora ..... A47J 37/1233  
210/167.28  
5,253,566 A \* 10/1993 McCabe ..... A47J 37/1247  
126/343.5 R  
D351,966 S \* 11/1994 King ..... D7/339  
D414,649 S \* 10/1999 King ..... D34/14  
D428,563 S \* 7/2000 Russett ..... D7/350.4  
8,133,520 B2 \* 3/2012 Feinberg ..... A47J 37/1223  
426/302

(Continued)

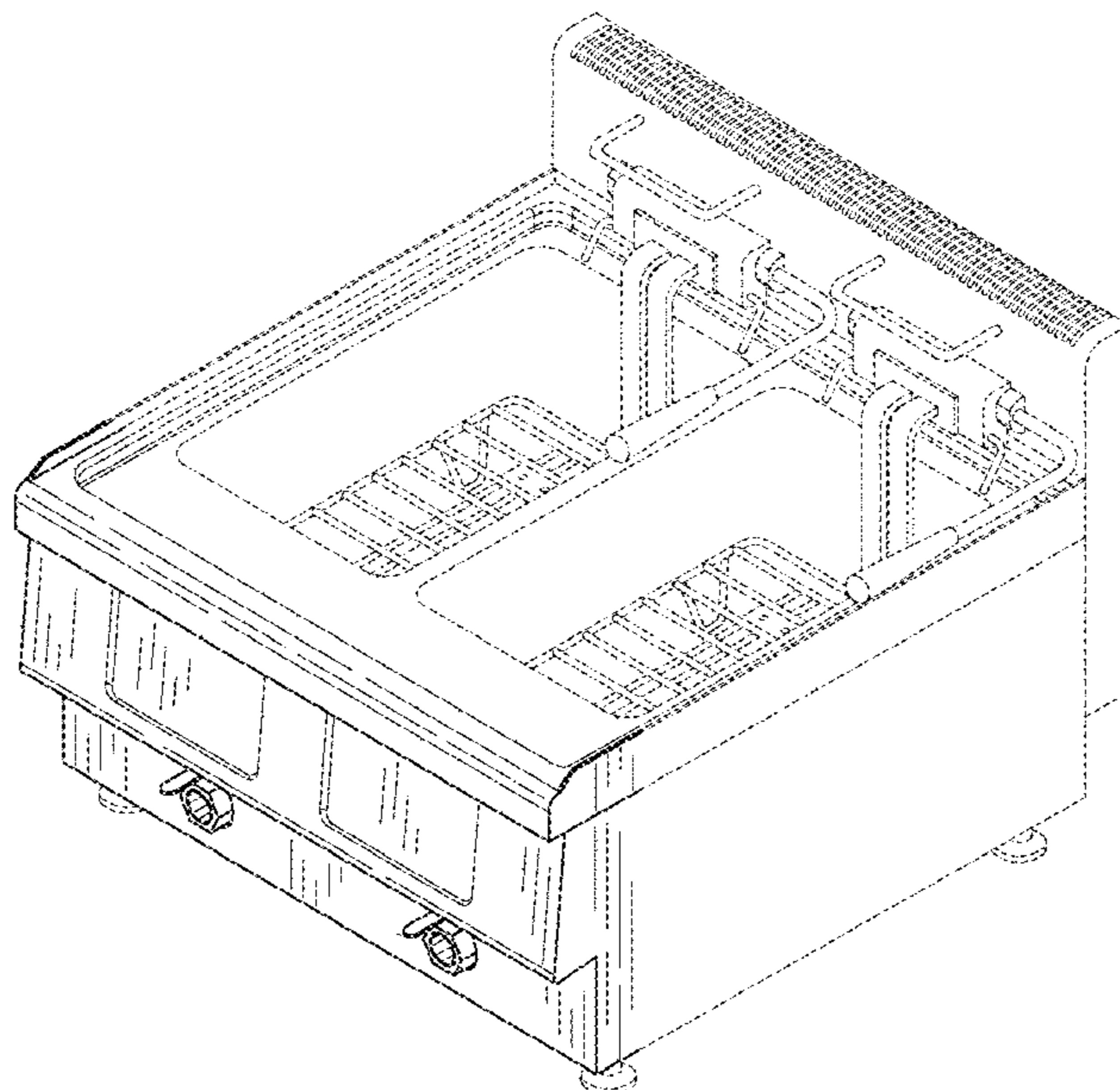
*Primary Examiner* — Ricky Pham  
(74) *Attorney, Agent, or Firm* — Thompson Hine LLP

(57) **CLAIM**  
The ornamental design for an electric fryer, as shown and  
described.

**DESCRIPTION**

FIG. 1 is a perspective view of an electric fryer;  
FIG. 2 is a top view of the electric fryer;  
FIG. 3 is a front view of the electric fryer;  
FIG. 4 is a right side view of the electric fryer; and,  
FIG. 5 is a left side view of the electric fryer.  
The dash broken lines shown in the drawings are for  
purposes of illustrating portions of the electric fryer that  
form no part of the claimed design. In connection with the  
electric fryer, the rear portion and bottom portion of the  
electric fryer are not visible during ordinary use and form no  
part of the claimed design.

**1 Claim, 3 Drawing Sheets**



(56)

**References Cited**

U.S. PATENT DOCUMENTS

2017/0258270 A1\* 9/2017 Man ..... A47J 37/1209  
2017/0258271 A1\* 9/2017 Man ..... A47J 37/1266

\* cited by examiner

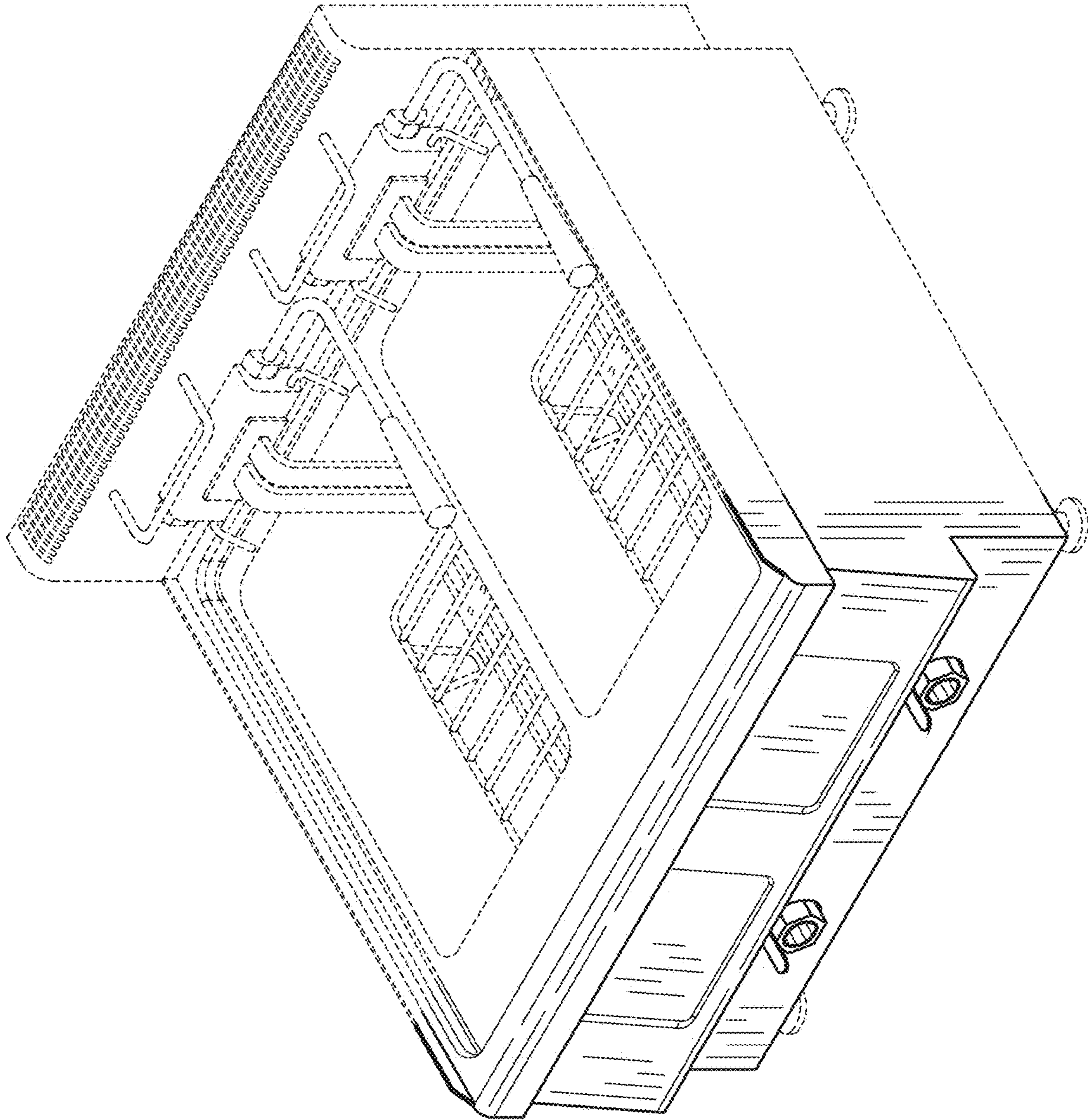


Fig. 1



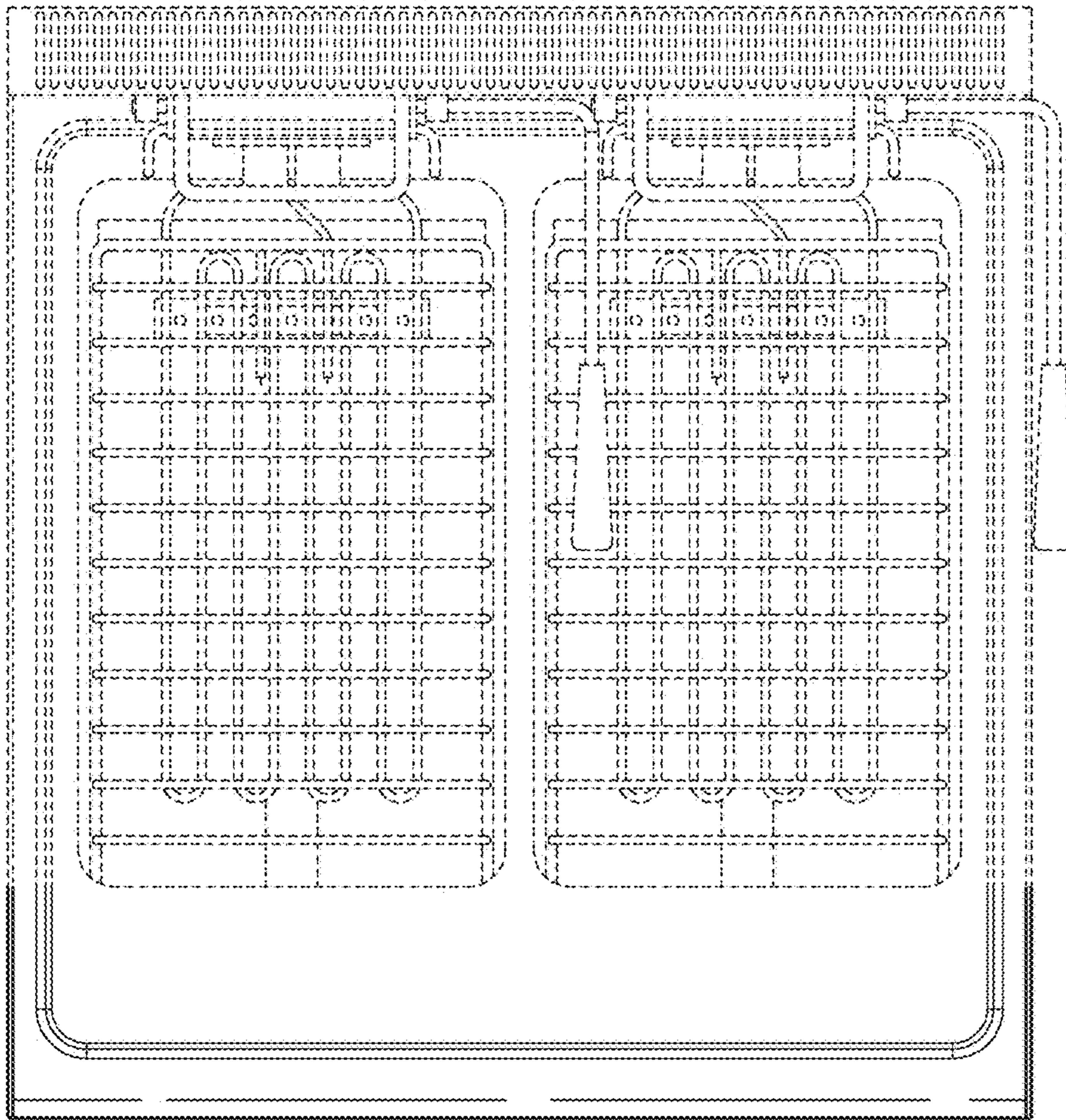


Fig. 2

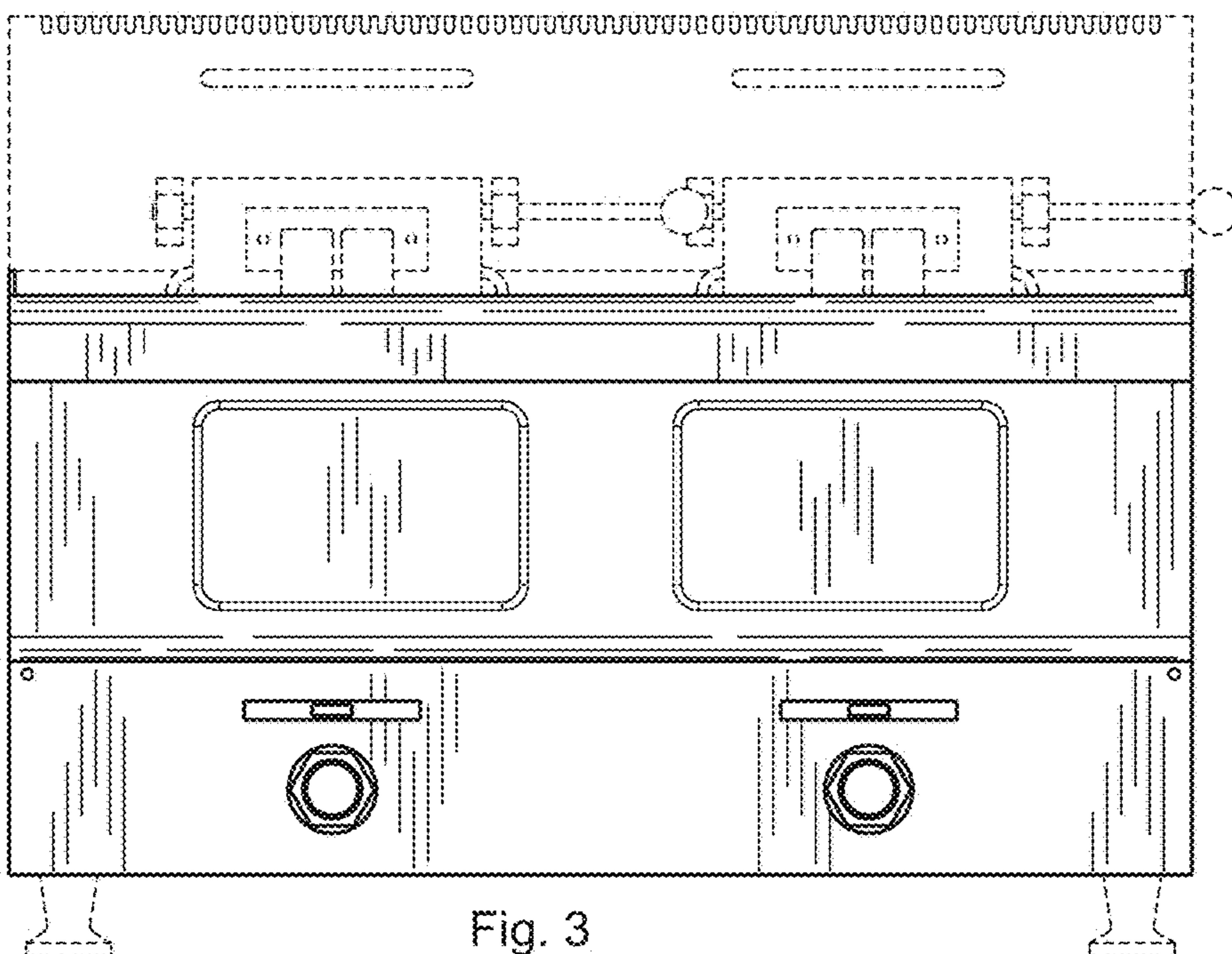


Fig. 3

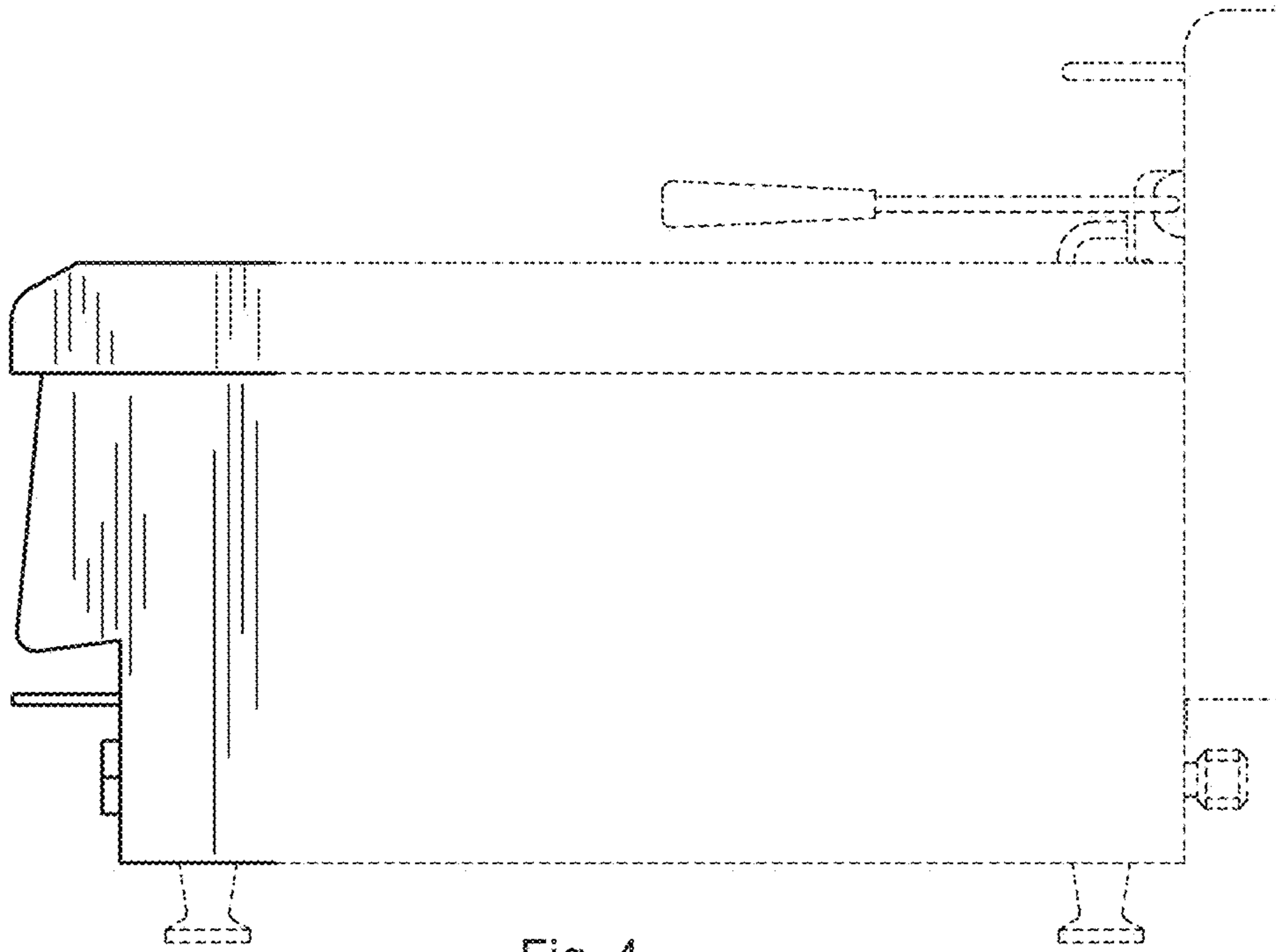


Fig. 4

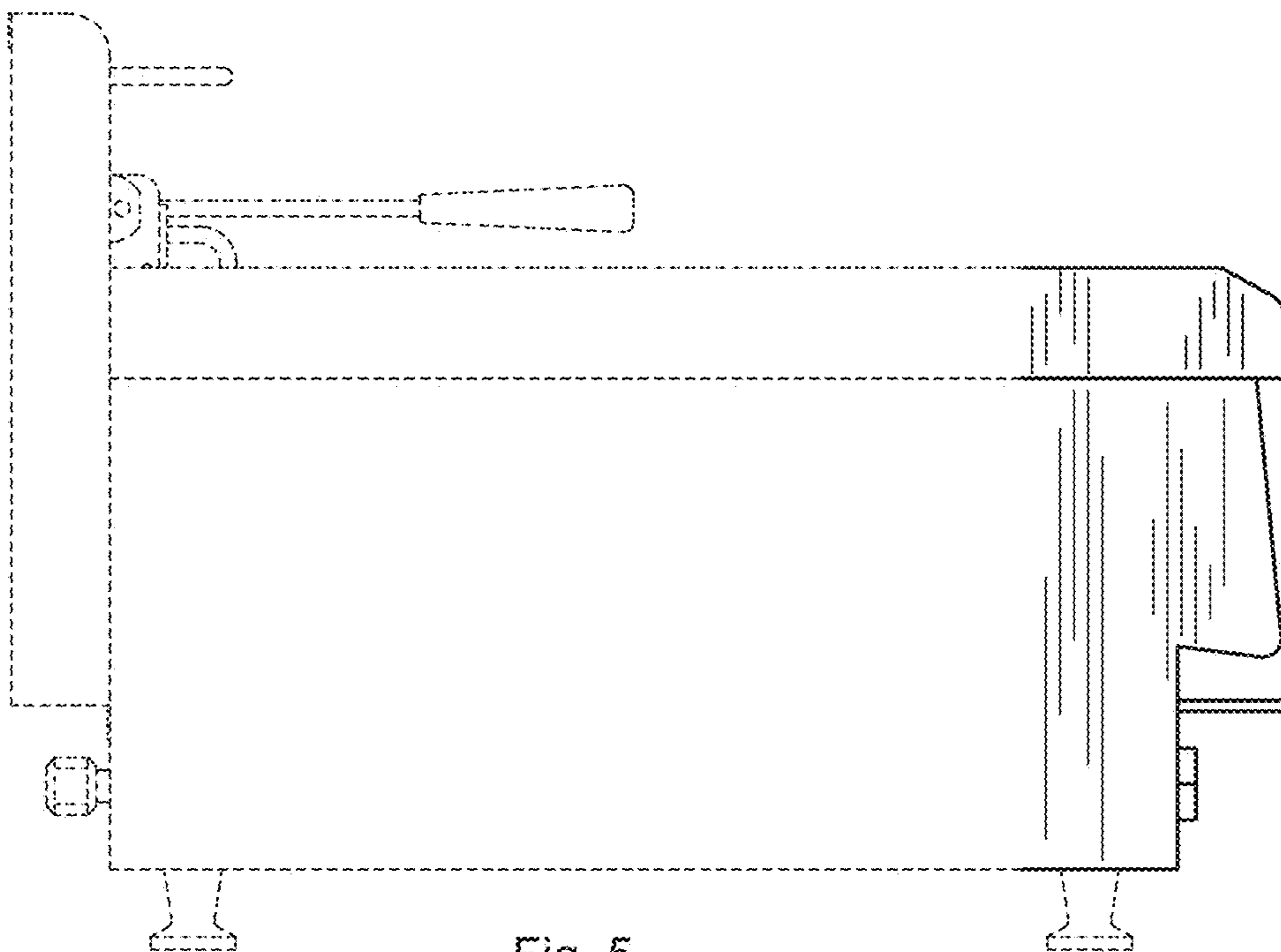


Fig. 5