



US00D885113S

(12) **United States Design Patent**
Zhou

(10) **Patent No.:** **US D885,113 S**

(45) **Date of Patent:** **** *May 26, 2020**

- (54) **PASTA COOKER**
- (71) Applicant: **ILLINOIS TOOL WORKS INC.**,
Glenview, IL (US)
- (72) Inventor: **Zhanhua Zhou**, Guangzhou (CN)
- (73) Assignee: **ILLINOIS TOOL WORKS INC.**,
Glenview, IL (US)
- (*) Notice: This patent is subject to a terminal disclaimer.
- (**) Term: **15 Years**
- (21) Appl. No.: **29/658,264**
- (22) Filed: **Jul. 30, 2018**
- (30) **Foreign Application Priority Data**

3,525,299	A *	8/1970	Gouwens	A47J 37/1219
					99/336
3,720,155	A *	3/1973	Fritzsche	A47J 37/1257
					99/337
D242,947	S *	1/1977	Graham	D7/354
4,487,691	A *	12/1984	Panora	A47J 37/1233
					210/167.28
5,253,566	A *	10/1993	McCabe	A47J 37/1247
					126/343.5 R
D351,966	S *	11/1994	King	D7/339
D414,649	S *	10/1999	King	D34/14
D428,563	S *	7/2000	Russett	D7/350.4
8,133,520	B2 *	3/2012	Feinberg	A47J 37/1223
					426/302
2017/0258270	A1 *	9/2017	Man	A47J 37/1209
2017/0258271	A1 *	9/2017	Man	A47J 37/1266

* cited by examiner

Primary Examiner — Ricky Pham

(74) *Attorney, Agent, or Firm* — Thompson Hine LLP

- Feb. 1, 2018 (CN) 2018 3 0047710
- (51) **LOC (12) Cl.** **07-02**
- (52) **U.S. Cl.**
USPC **D7/339**
- (58) **Field of Classification Search**
USPC D7/323, 339, 350.4, 354-361
CPC A23L 1/01; A23L 1/0107; A23L 1/0114;
A47J 27/00; A47J 27/08; A47J 27/09;
A47J 27/092; A47J 36/025; A47J 36/06;
A47J 36/08; A47J 36/10; A47J 36/12;
A47J 36/165; A47J 36/18; A47J 36/20;
A47J 36/22; A47J 37/00; A47J 37/12;
A47J 37/1204; A47J 37/1209; A47J
37/1214; A47J 37/1219; A47J 37/1223;
A47J 37/1247; A47J 37/1257; A47J
37/1266; A47J 37/1285; A47J 37/129;
A47J 37/1295; G07F 17/0064; G07F
17/0078; G07F 17/0085; H05B 6/02;
H05B 6/06; H05B 6/12
See application file for complete search history.

(56) **References Cited**

U.S. PATENT DOCUMENTS

3,242,849	A *	3/1966	Wells	A47J 37/1219
					99/411
D215,383	S *	9/1969	Moore	D7/339

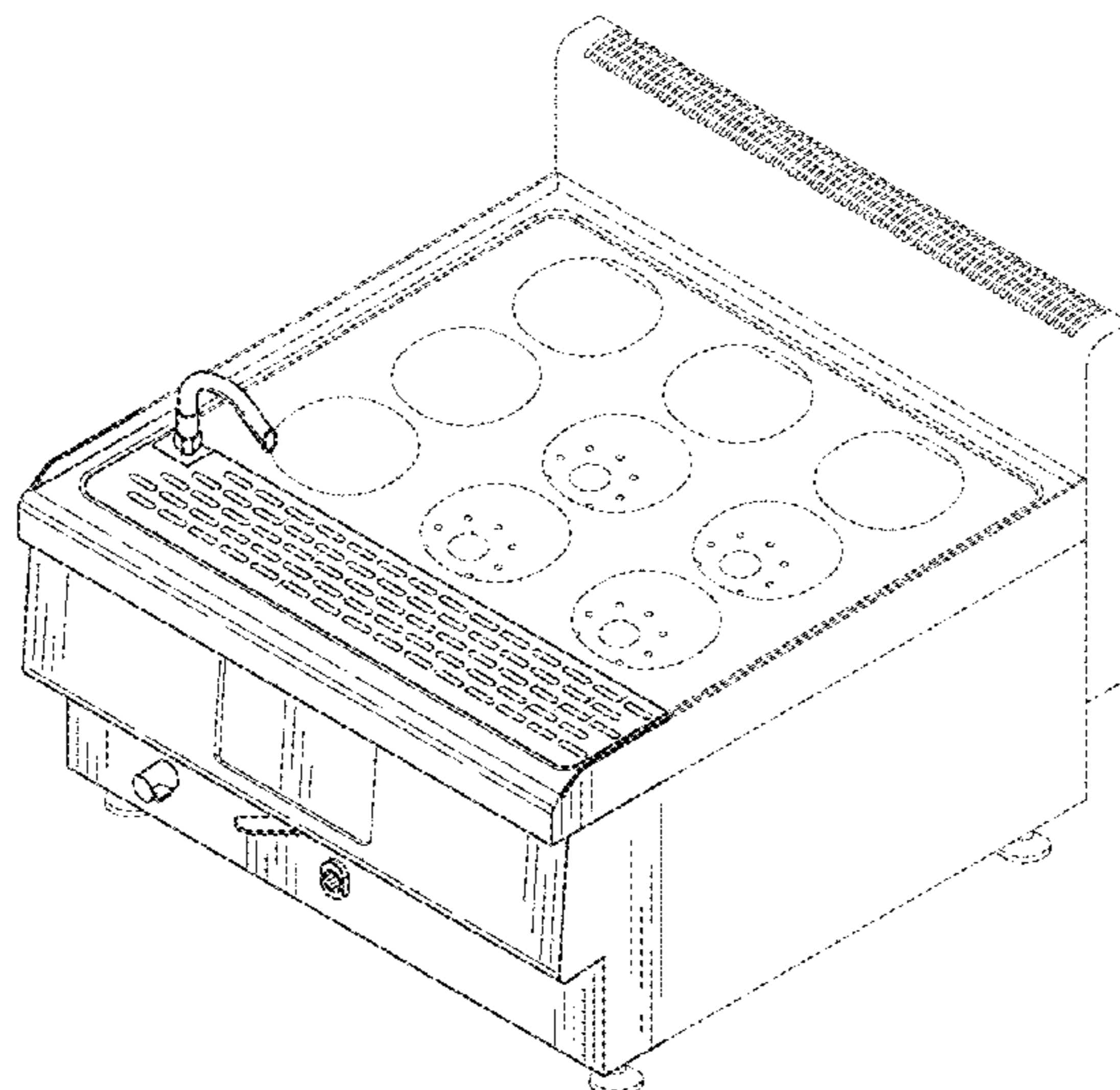
(57) **CLAIM**

The ornamental design for a pasta cooker, as shown and described.

DESCRIPTION

FIG. 1 is a perspective view of a pasta cooker;
 FIG. 2 is a top view of the pasta cooker;
 FIG. 3 is a front view of the pasta cooker;
 FIG. 4 is a right side view of the pasta cooker; and,
 FIG. 5 is a left side view of the pasta cooker.
 The dash broken lines shown in the drawings are for purposes of illustrating portions of the pasta cooker that form no part of the claimed design. In connection with the pasta cooker, the rear portion and bottom portion of the pasta cooker are not visible during ordinary use and form no part of the claimed design.

1 Claim, 3 Drawing Sheets



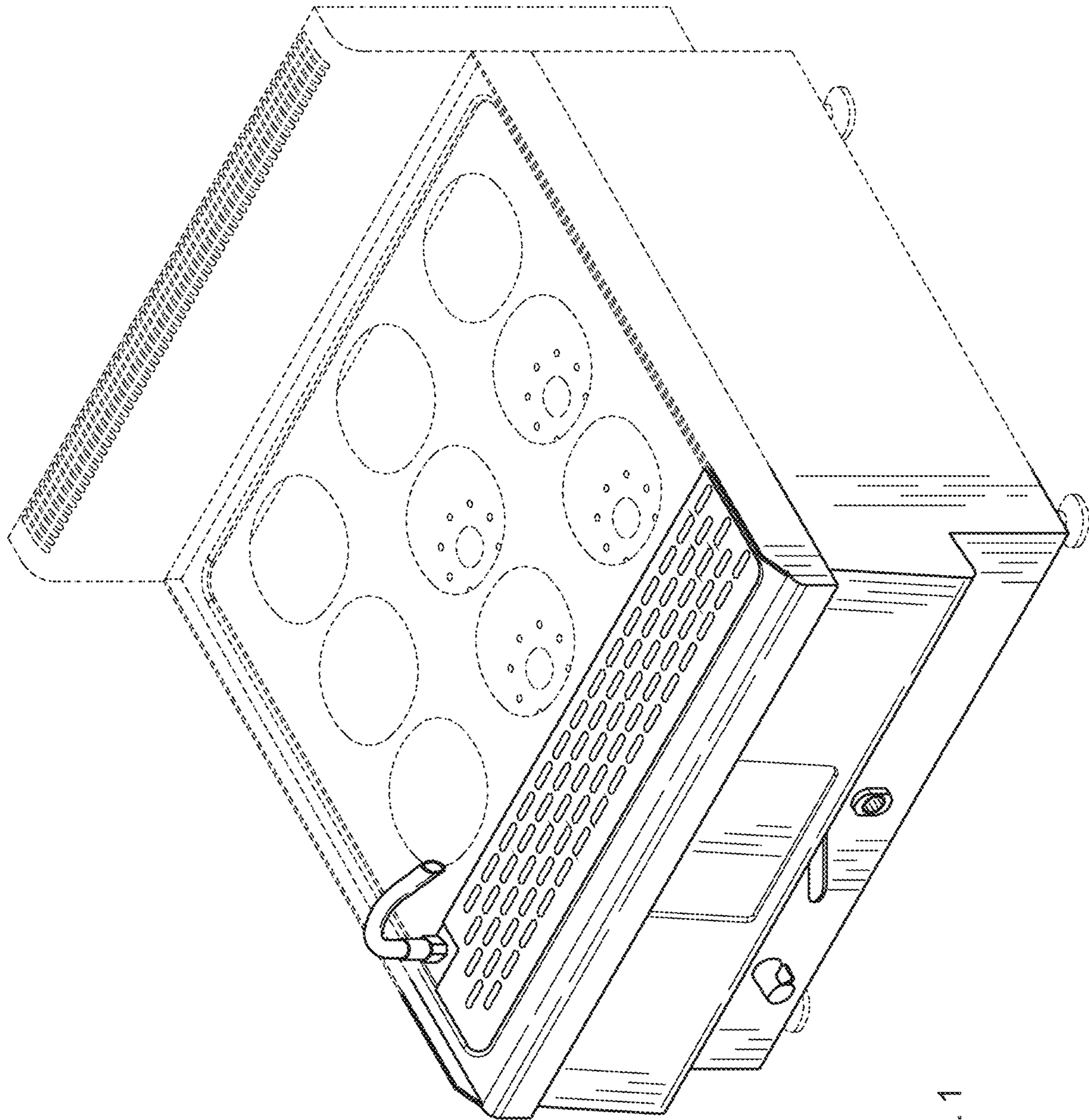


Fig. 1

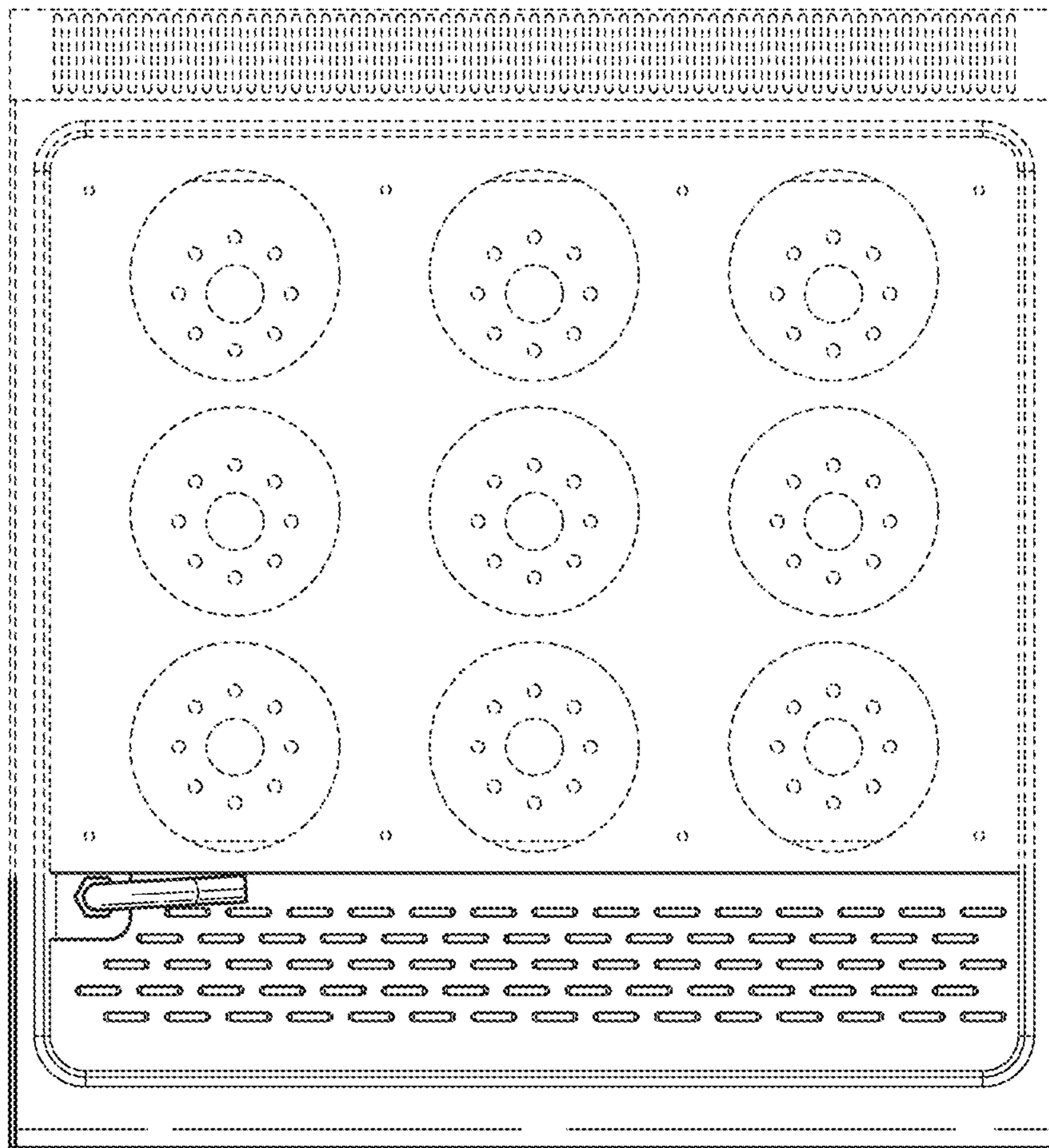


Fig. 2

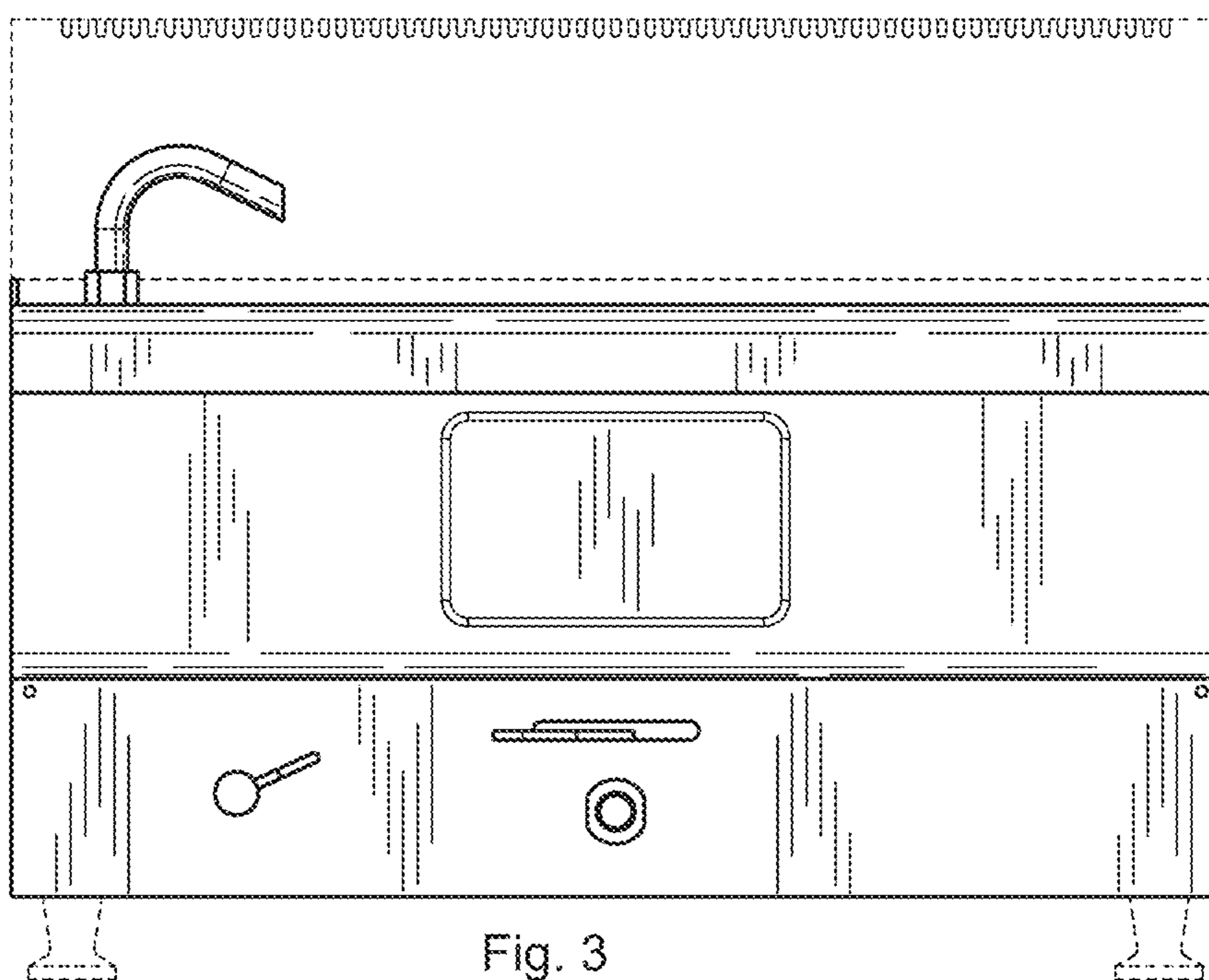


Fig. 3

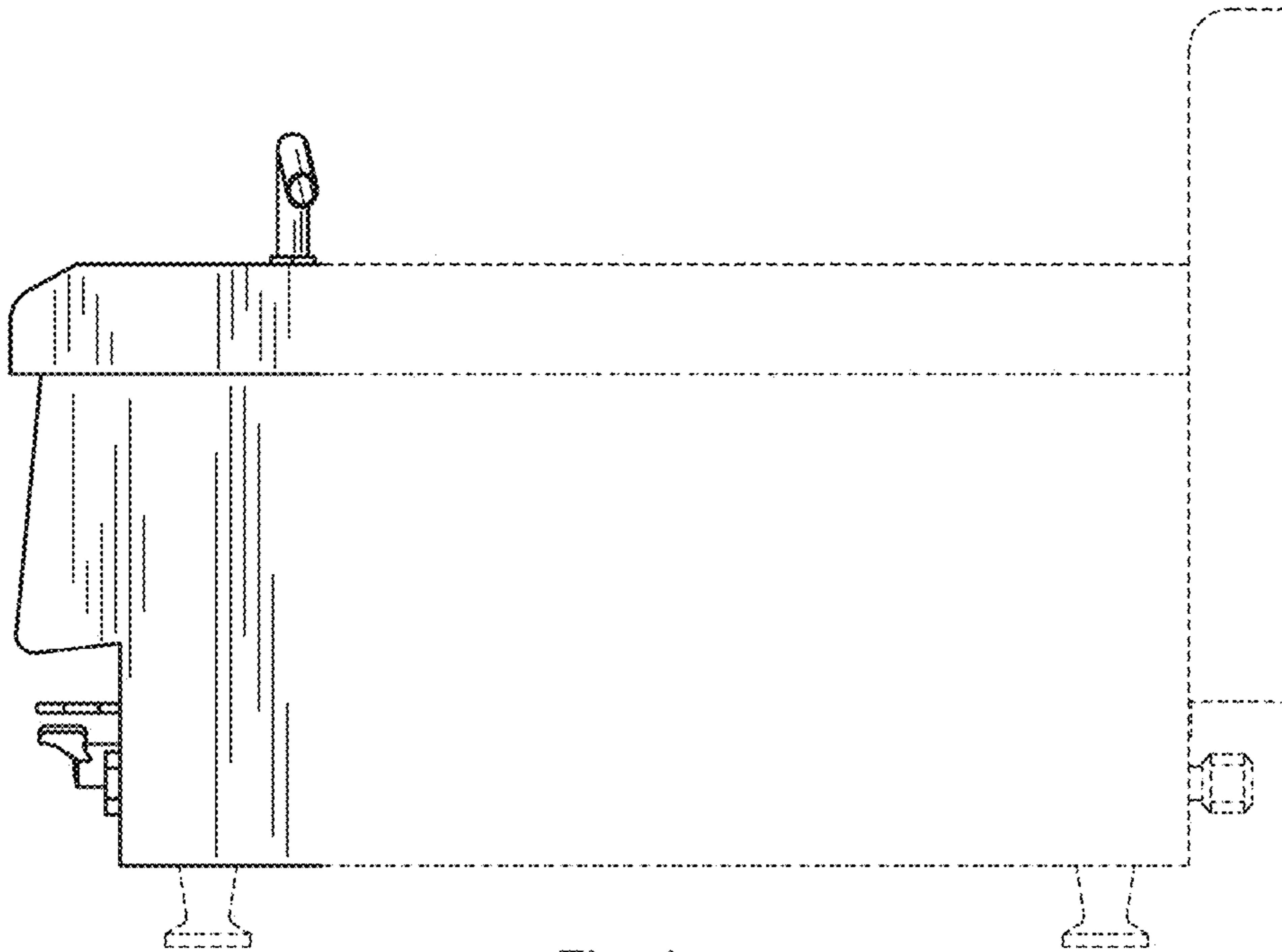


Fig. 4

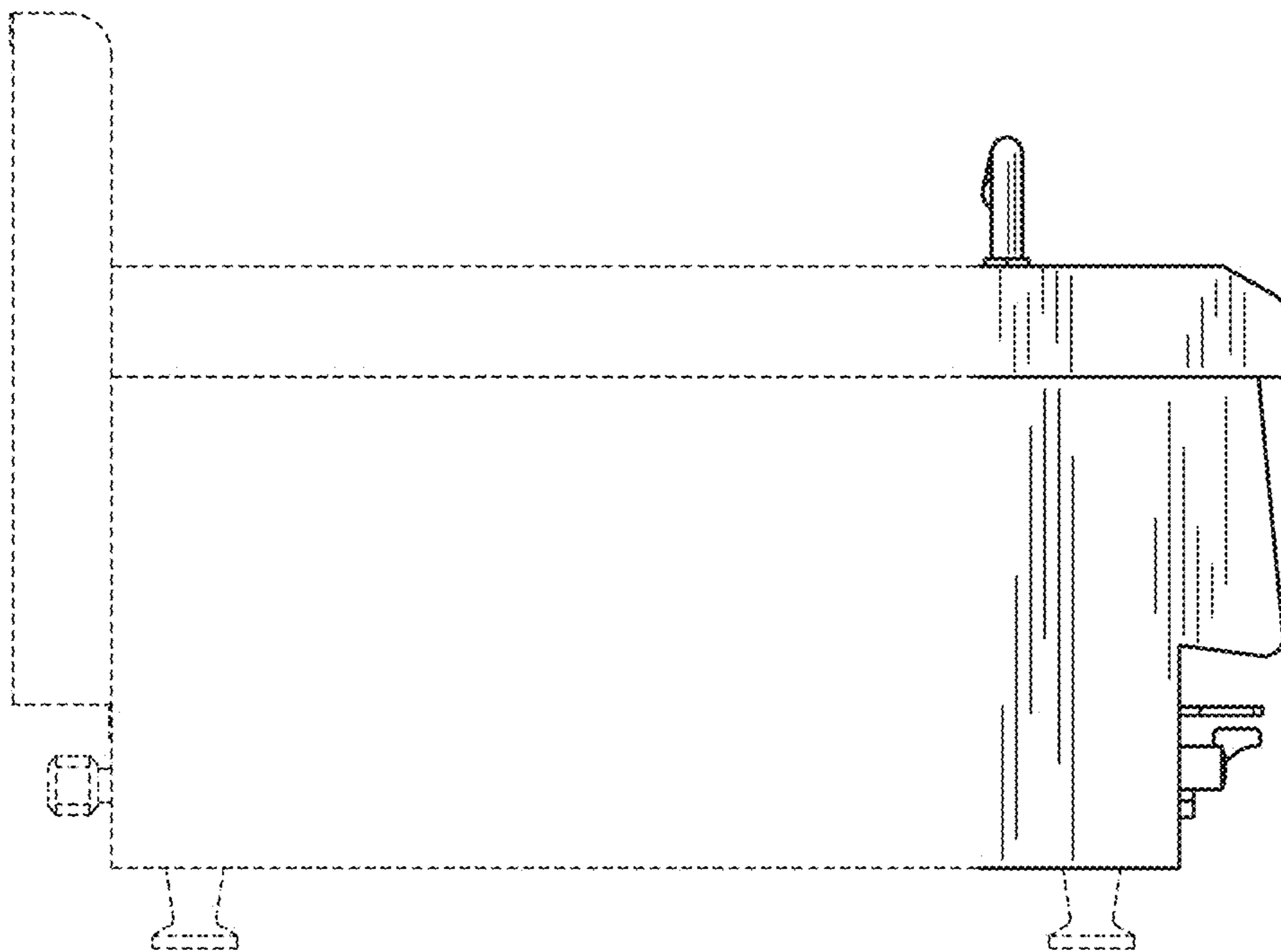


Fig. 5