



US00D885112S

(12) **United States Design Patent** (10) **Patent No.:** **US D885,112 S**
Young et al. (45) **Date of Patent:** **** May 26, 2020**

(54) **DRUM SMOKER**

(71) Applicants: **Sean Young**, Oswego, IL (US); **Jon Fenske**, Oswego, IL (US)

(72) Inventors: **Sean Young**, Oswego, IL (US); **Jon Fenske**, Oswego, IL (US)

(**) Term: **15 Years**

(21) Appl. No.: **29/658,616**

(22) Filed: **Aug. 1, 2018**

(51) **LOC (12) Cl.** **07-02**

(52) **U.S. Cl.**
USPC **D7/332**

(58) **Field of Classification Search**
USPC D7/332-337, 402-409; 126/25 R, 30, 126/9 R, 25 A
CPC A47J 37/07-0786; A47J 33/00; A47J 2037/0777; A47J 2037/0795; A23B 4/044-056

See application file for complete search history.

(56) **References Cited**

U.S. PATENT DOCUMENTS

D259,386 S *	6/1981	Mulder	D7/334
D374,371 S *	10/1996	Hall McDonald	99/340
D463,948 S *	10/2002	Innes	D7/332
D550,022 S *	9/2007	Amajuwon	D7/332
D576,833 S *	9/2008	Mansell	D7/332
D650,215 S *	12/2011	Chung	D7/332
8,919,334 B2 *	12/2014	Glanville	A47J 37/0763
				126/1 R
D749,350 S *	2/2016	Longchamps	D7/332
D755,557 S *	5/2016	Stout	D7/332
D760,531 S *	7/2016	Scheer	D7/332
D777,516 S	1/2017	Hunsaker		
D795,632 S *	8/2017	Klingbeil	D7/332
D854,870 S *	7/2019	Graves	D7/332

OTHER PUBLICATIONS

Doubleodrumco, Jul. 13 and 21, 2018, Instagram, <https://www.instagram.com/doubleodrumco/> (Year: 2018).*

* cited by examiner

Primary Examiner — Brett Miller

(57) **CLAIM**

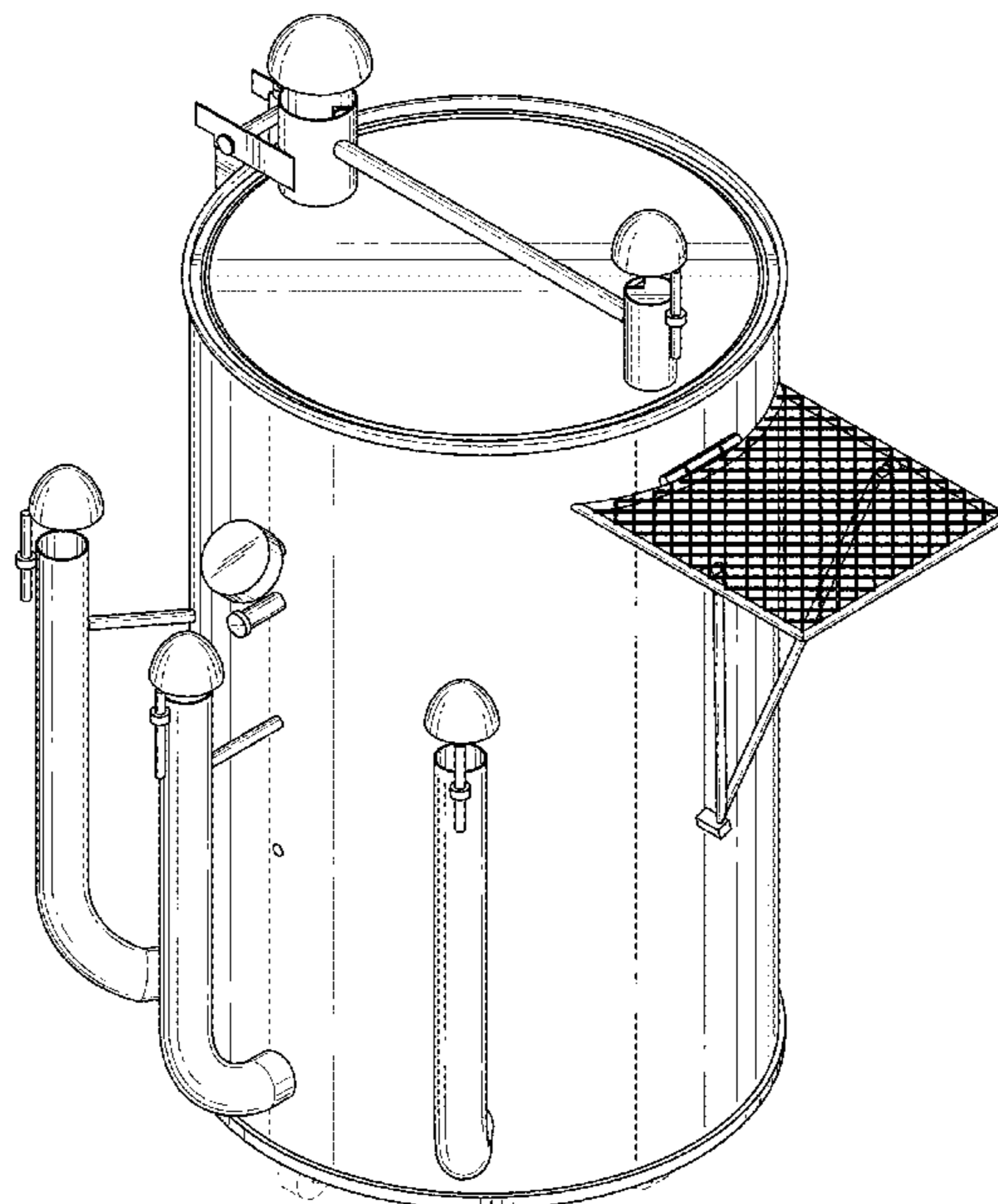
The ornamental design for a drum smoker, as shown and described.

DESCRIPTION

FIG. 1 is a front, first side, and top perspective view of a drum smoker embodying the new design;
 FIG. 2 is a front, second side, and top perspective view thereof;
 FIG. 3 is a front view thereof;
 FIG. 4 is a back view thereof;
 FIG. 5 is a first side view thereof;
 FIG. 6 is a second side view thereof;
 FIG. 7 is a top view thereof;
 FIG. 8 is a bottom view thereof;
 FIG. 9 is a front, first side, and top perspective view thereof, with the cover in an open configuration, and the side shelf in an upright configuration; and,
 FIG. 10 is a front, first side, and top perspective view thereof, with the cover in a closed configuration, and the side shelf in a downward configuration.

The broken line portions of the figure drawings are included to show unclaimed subject matter only for the purpose of illustrating environment and forms no part of the claimed design.

1 Claim, 10 Drawing Sheets



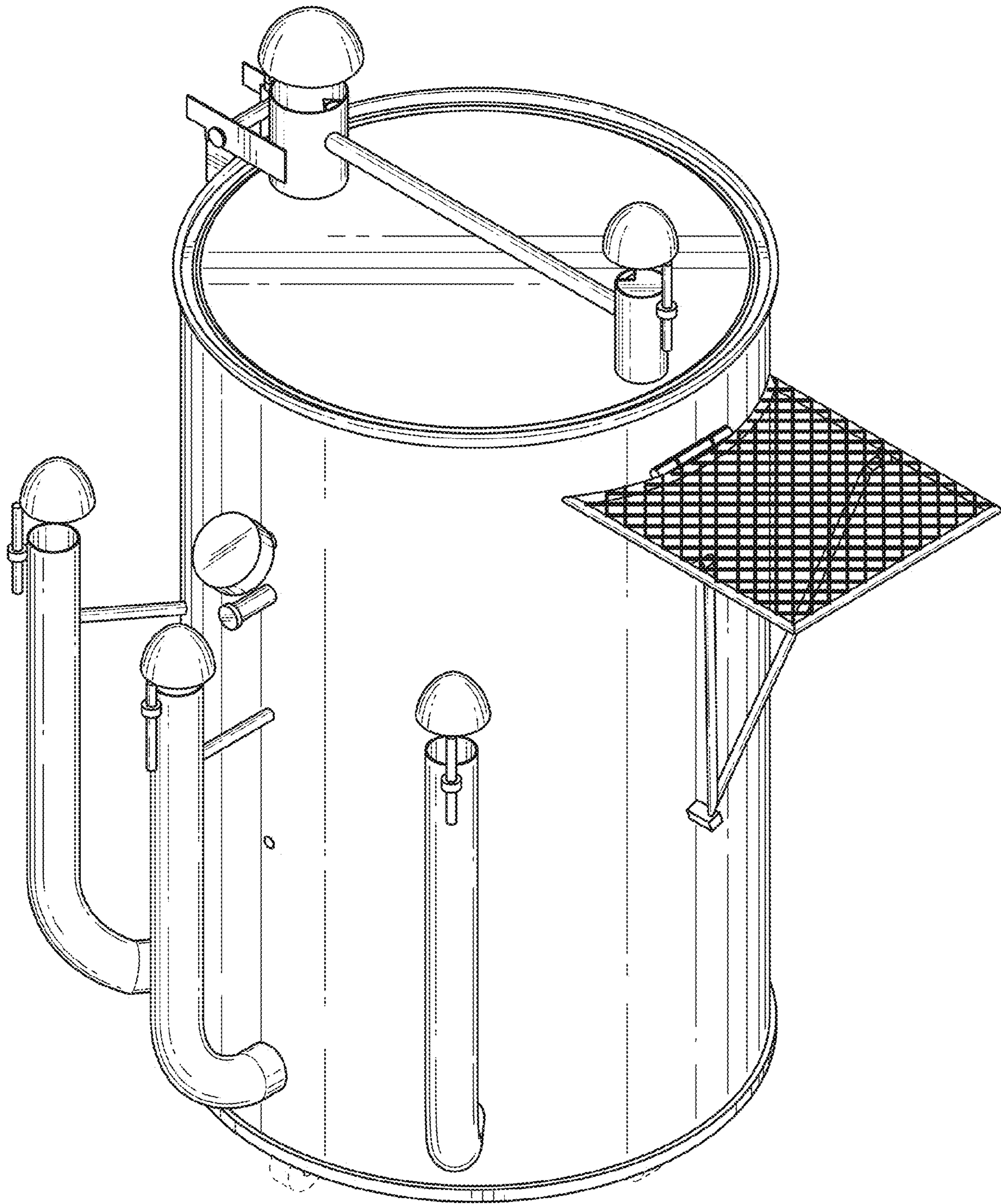


FIG. 1

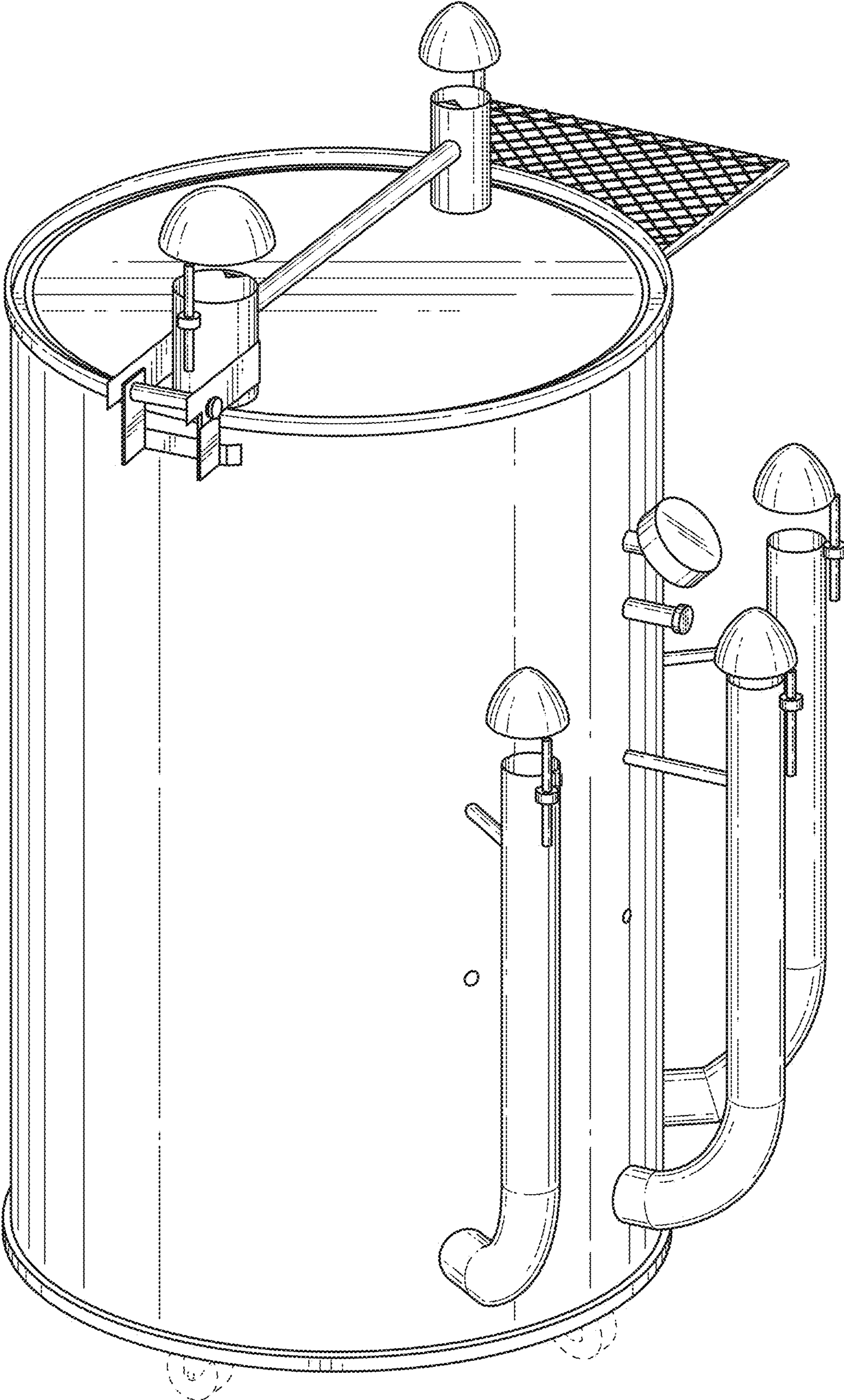


FIG. 2

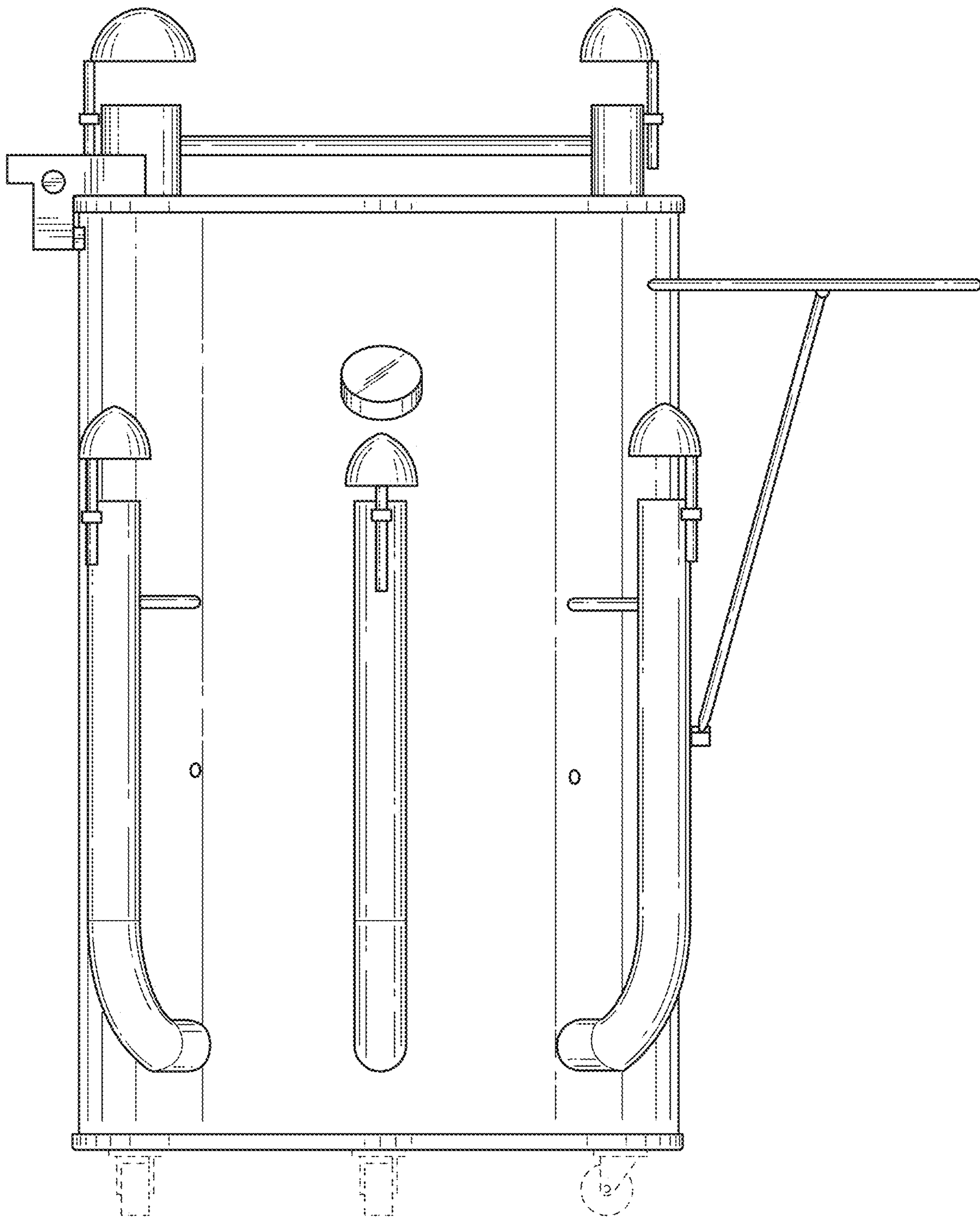


FIG. 3

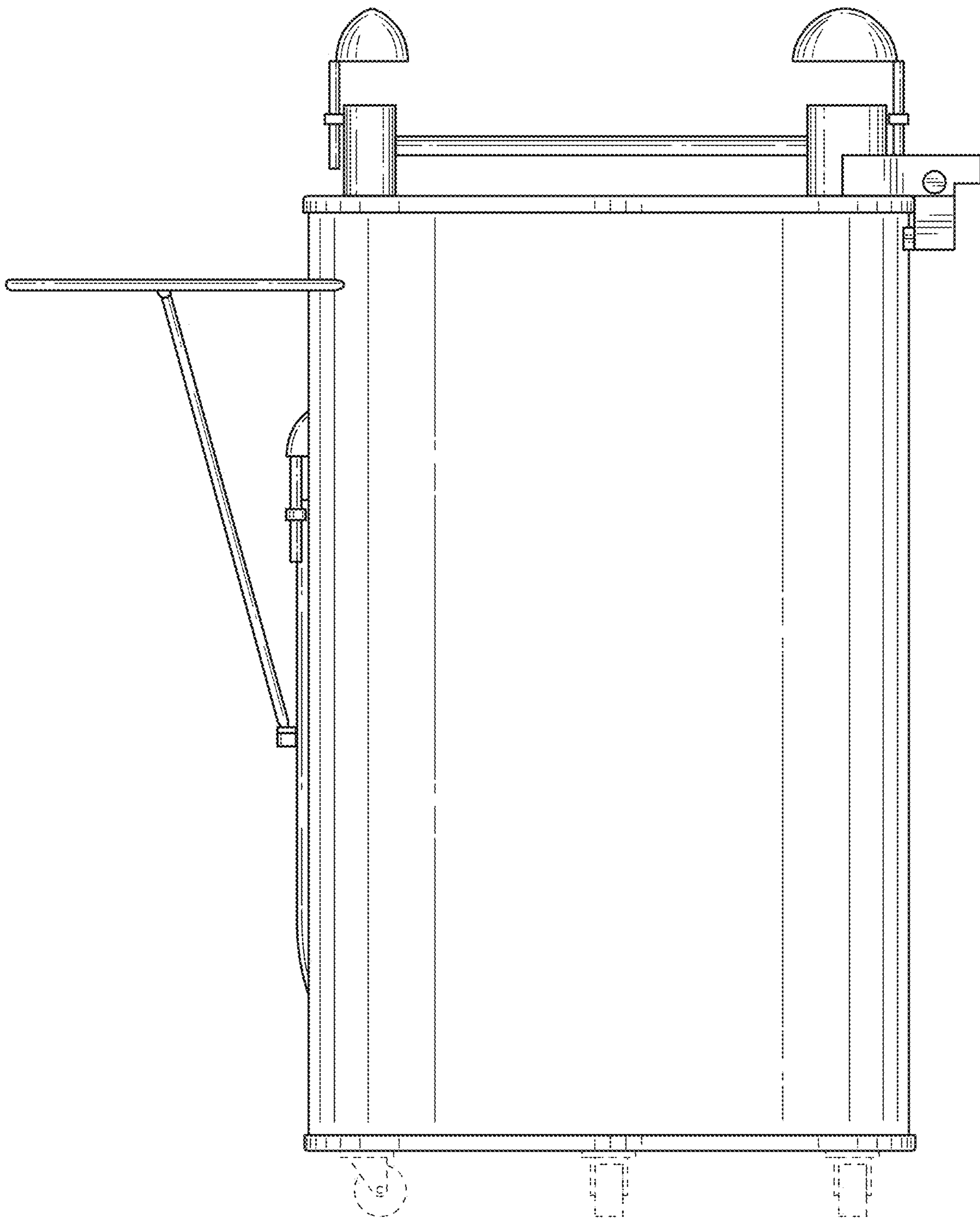


FIG. 4

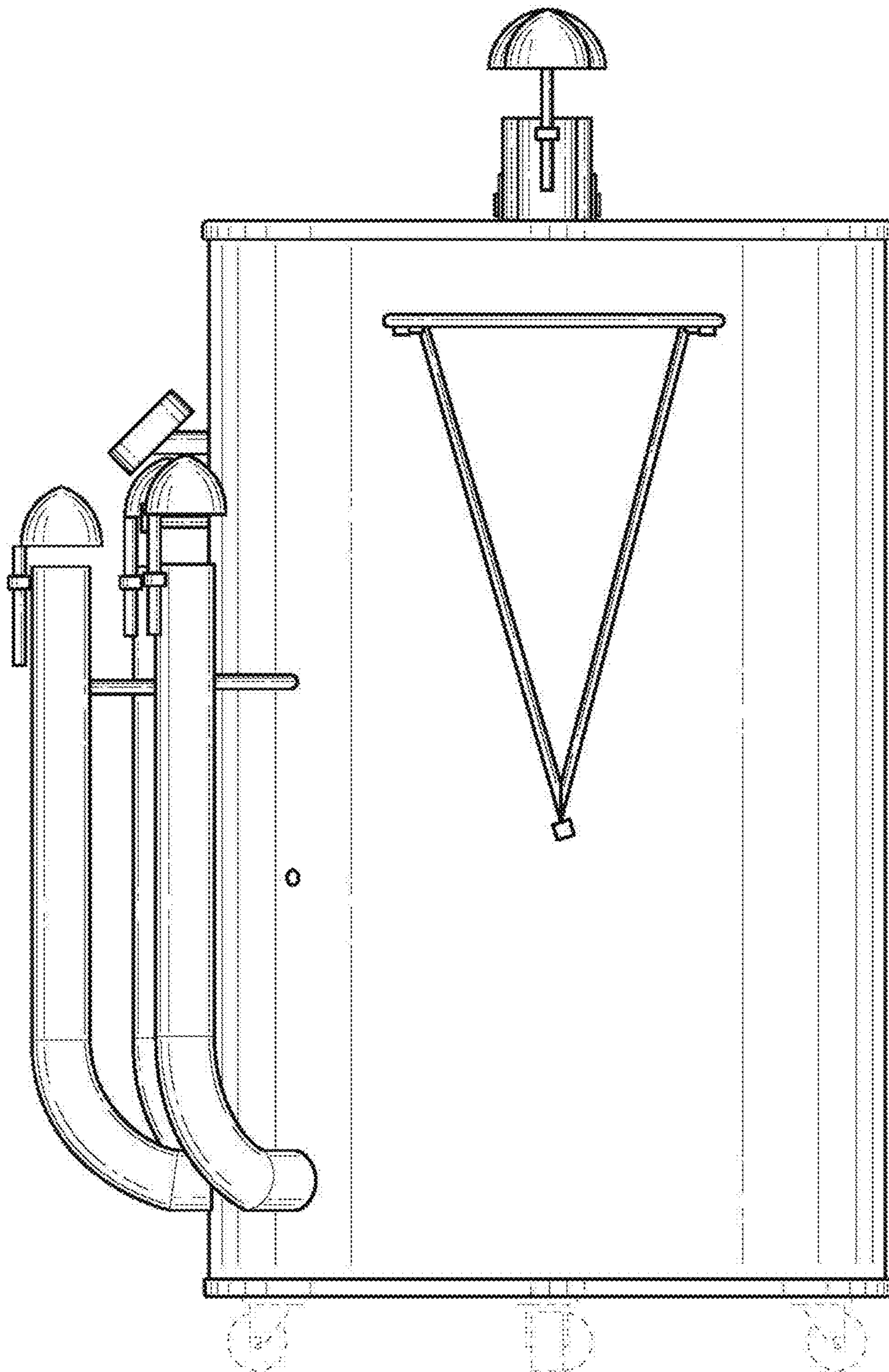


FIG. 5

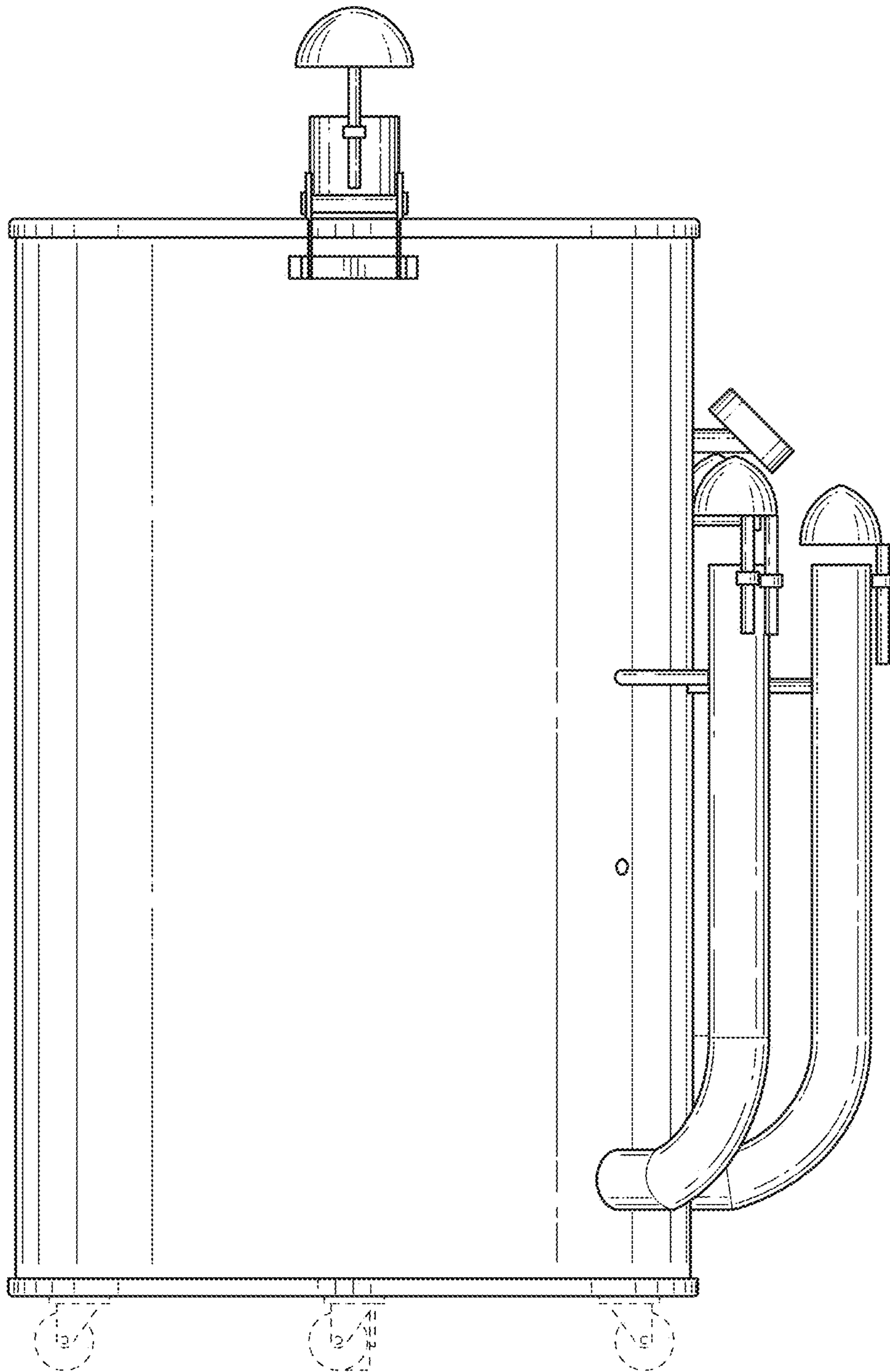


FIG. 6

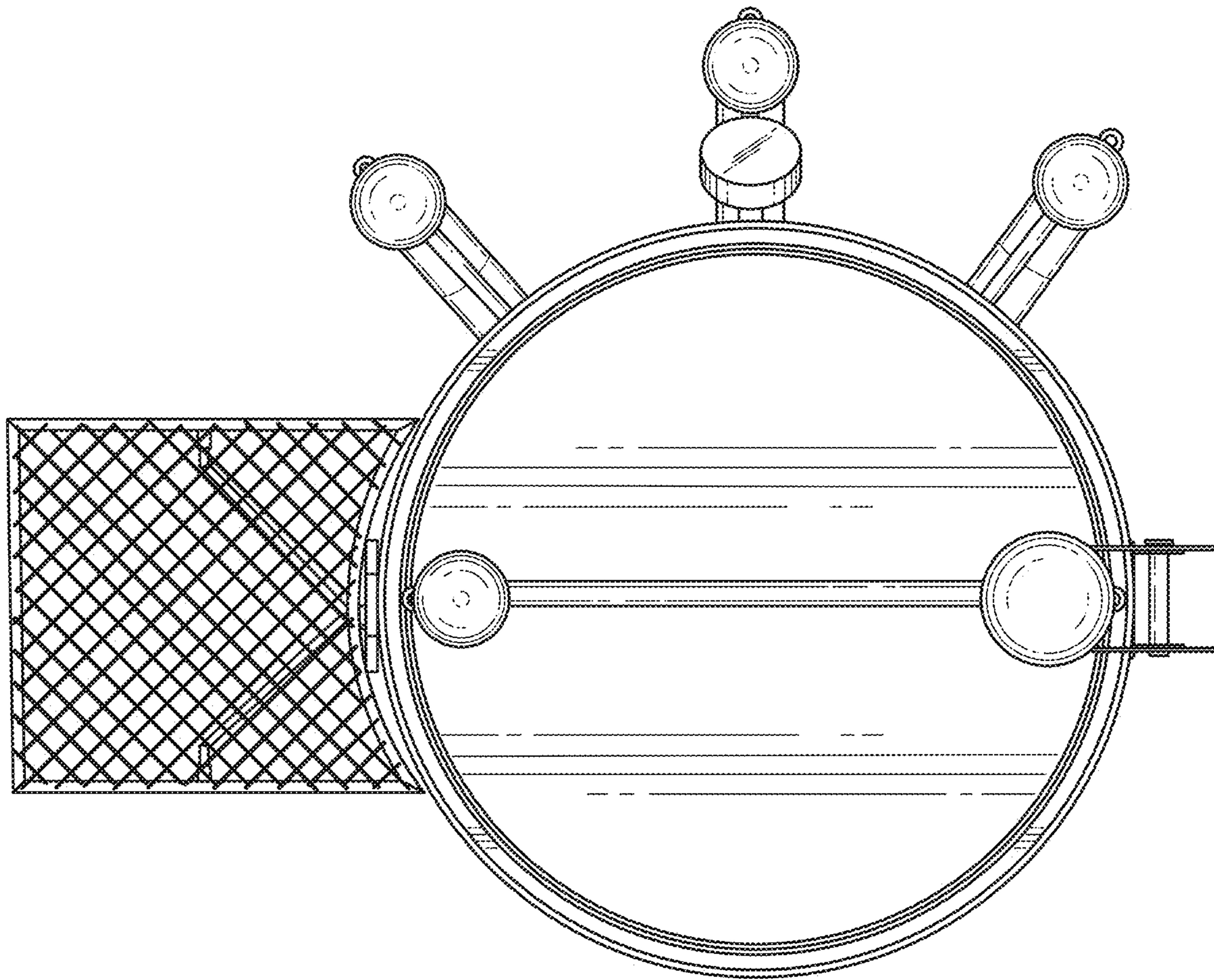


FIG. 7

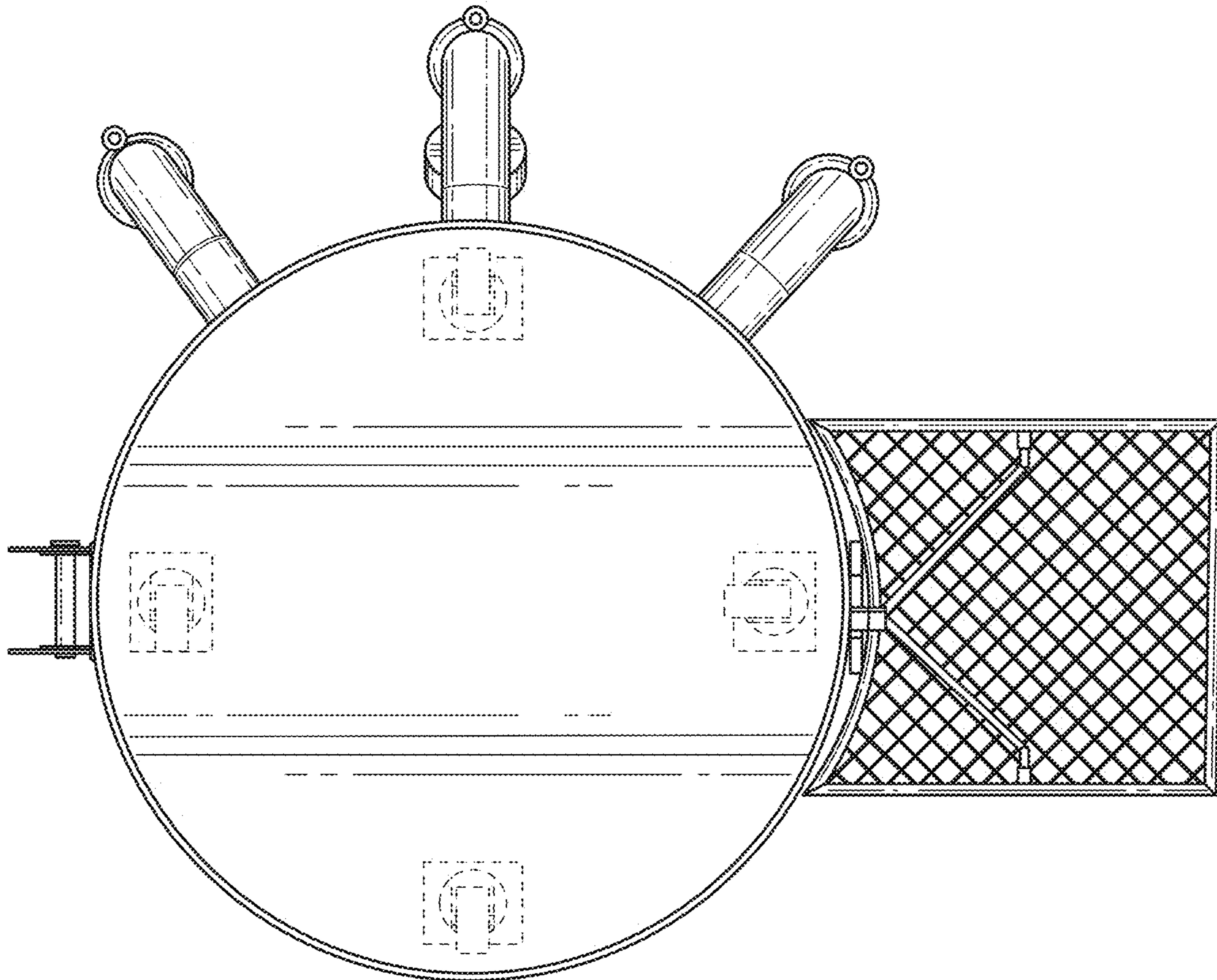


FIG. 8

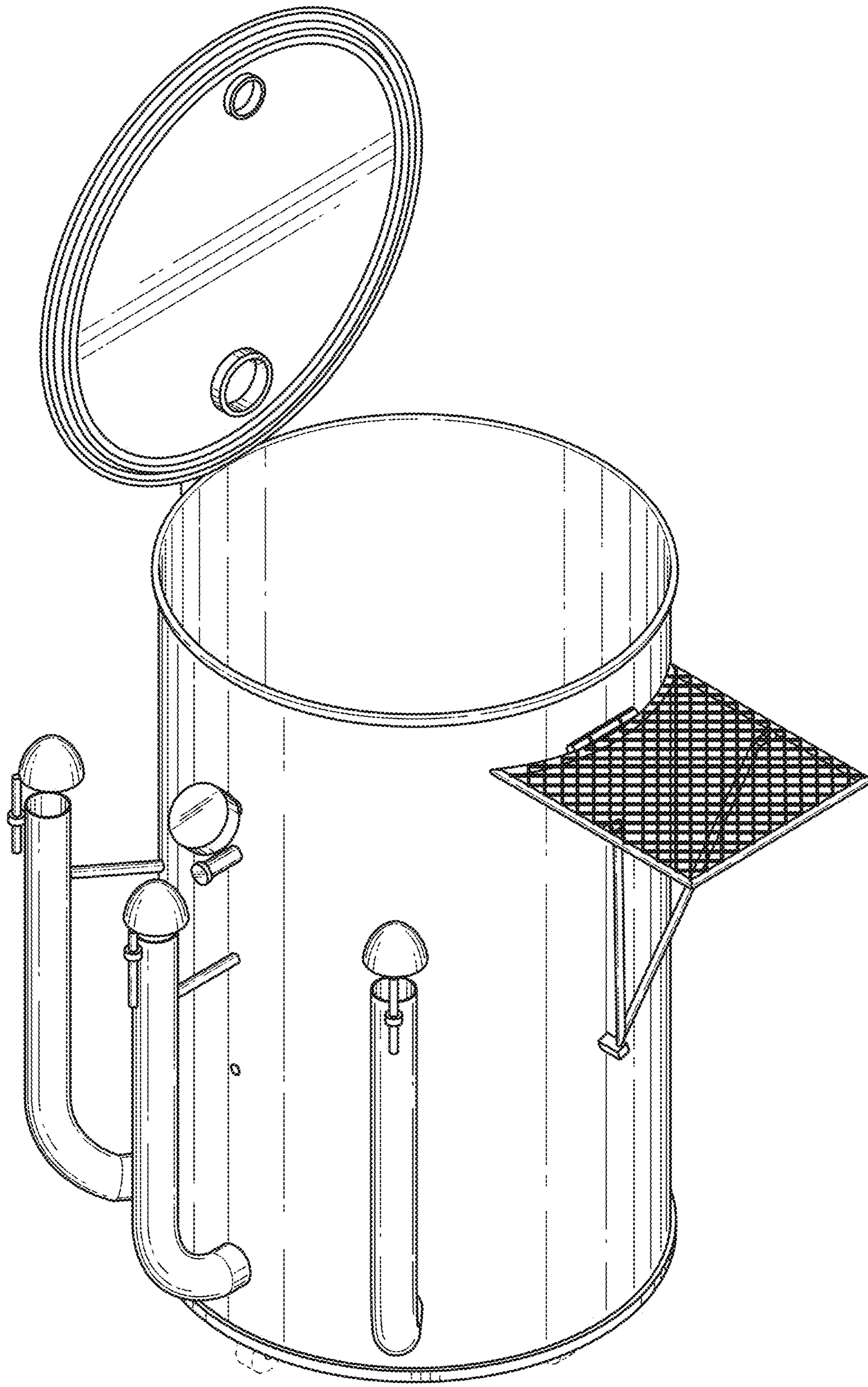


FIG. 9

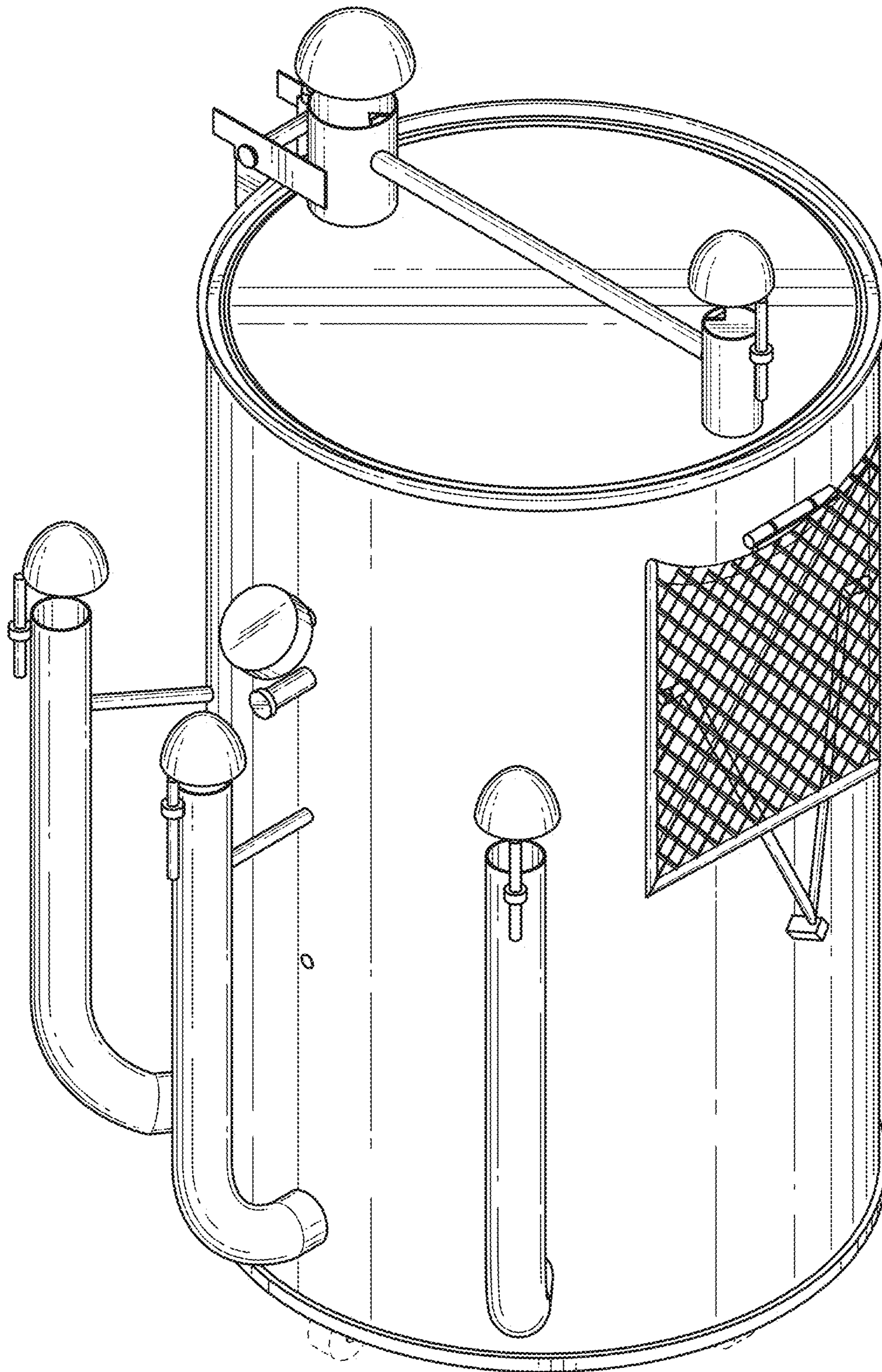


FIG. 10