



US00D885110S

(12) **United States Design Patent**
Katsunuma

(10) **Patent No.:** **US D885,110 S**

(45) **Date of Patent:** **** May 26, 2020**

- (54) **ELECTRIC KETTLE**
- (71) Applicant: **KALITA CO., LTD.**, Kanagawa (JP)
- (72) Inventor: **Jun Katsunuma**, Kanagawa (JP)
- (73) Assignee: **KALITA CO., LTD.**, Kanagawa (JP)
- (**) Term: **15 Years**
- (21) Appl. No.: **29/715,246**
- (22) Filed: **Nov. 29, 2019**

7,569,797	B2 *	8/2009	Labelle	A47J 27/21175	219/438
D622,090	S *	8/2010	Bodum	D7/317	
D646,522	S *	10/2011	Collinson	D7/376	
D731,226	S *	6/2015	Sun	D7/316	
D738,669	S *	9/2015	Brook	D7/317	
9,131,542	B1 *	9/2015	Kamindki	H05B 6/108	
D753,948	S *	4/2016	Kestenbaum	D7/317	
D760,022	S *	6/2016	Garvey	D7/367	
9,532,671	B2 *	1/2017	Lin	A47G 19/12	
D796,888	S *	9/2017	Miller	D23/212	
D830,094	S *	10/2018	Barquin	D7/318	
D861,408	S *	10/2019	Hagger	D7/312	
D862,147	S *	10/2019	Hagger	D7/312	

(Continued)

(30) **Foreign Application Priority Data**

Jul. 8, 2019 (JP) D2019-15269

(51) **LOC (12) Cl.** **07-01**

(52) **U.S. Cl.**
USPC **D7/321**; D7/318; D7/312

(58) **Field of Classification Search**
USPC D7/598, 312, 317, 316, 399, 318, 319,
D7/300, 321; D11/153, 146; D23/212
CPC A47G 19/22; A47G 19/16; A47G 19/12;
A47J 41/0094
See application file for complete search history.

(56) **References Cited**

U.S. PATENT DOCUMENTS

2,258,002	A *	10/1941	De Kay	A47G 19/12	222/470
D217,734	S *	6/1970	Abramson	D7/317	
4,498,375	A *	2/1985	Bedini	A47J 31/0663	99/303
D300,106	S *	3/1989	Paulin	D7/309	
D367,201	S *	2/1996	Joergensen	D7/305	
D477,494	S *	7/2003	Pena Angarita	D7/312	
D478,766	S *	8/2003	Questelles	D7/312	
D512,597	S *	12/2005	Bjørn	D7/316	
D555,416	S *	11/2007	Bodum	D7/316	
D572,518	S *	7/2008	Venier	D7/300	

Primary Examiner — Marianne N Pandozzi

(74) *Attorney, Agent, or Firm* — Nakanishi IP Associates, LLC

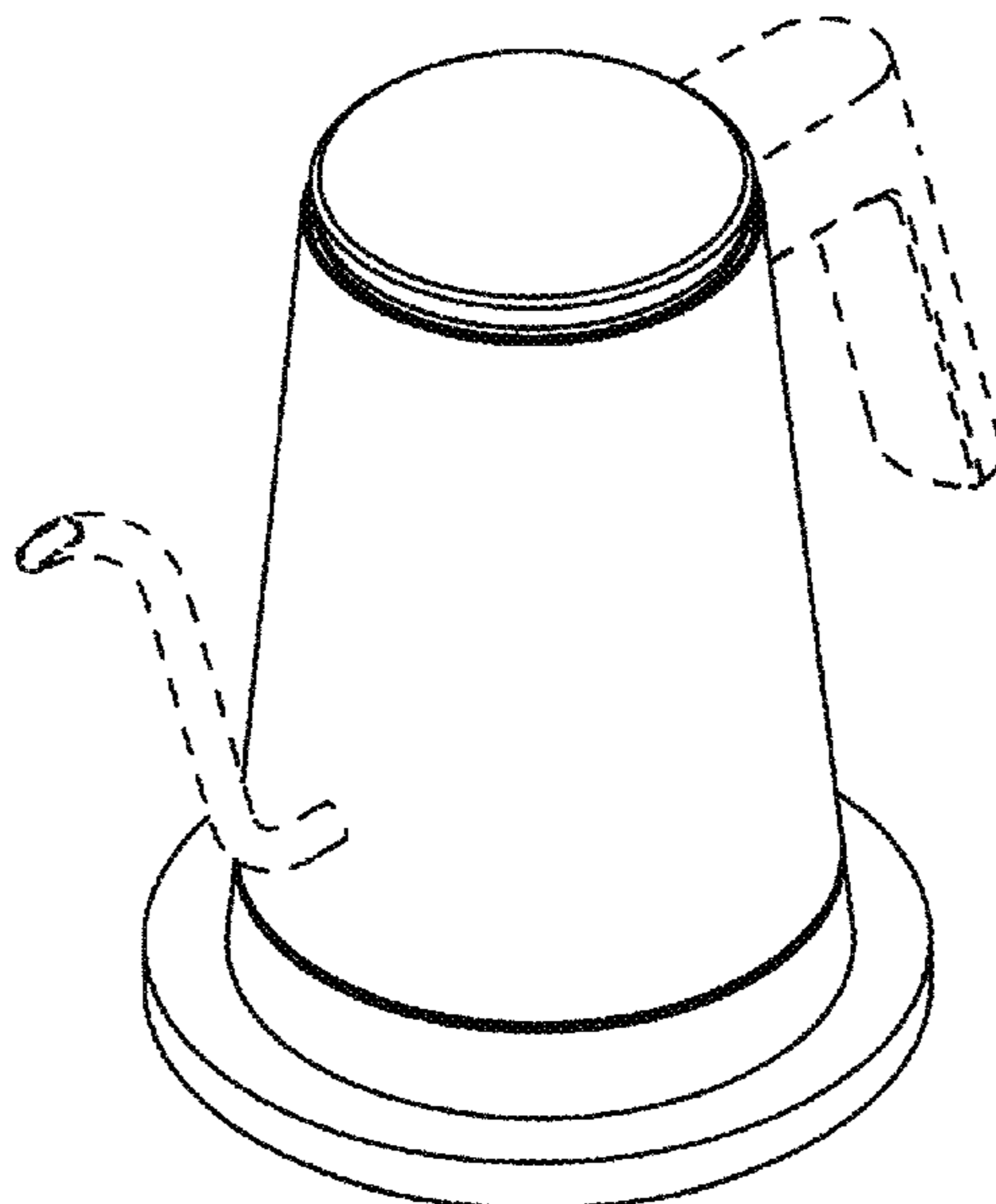
(57) **CLAIM**

The ornamental design for an electric kettle, as shown and described.

DESCRIPTION

FIG. 1 is a front, top, and left side perspective view of an electric kettle;
 FIG. 2 is a front elevation view thereof;
 FIG. 3 is a left side elevation view thereof;
 FIG. 4 is a right side elevation view thereof;
 FIG. 5 is a top plan view thereof;
 FIG. 6 is a bottom plan view thereof;
 FIG. 7 is a front, top, and left side perspective view of the electric kettle in a state where the electric kettle is separated into a main body and a base; and,
 FIG. 8 is a front elevation view of the electric kettle in the state where the electric kettle is separated into the main body and the base.
 The broken lines shown in the drawings represent portions of the electric kettle and form no part of the claimed design.

1 Claim, 8 Drawing Sheets



(56)

References Cited

U.S. PATENT DOCUMENTS

D862,160 S * 10/2019 McConnell D7/399
D862,964 S * 10/2019 Tokoi D7/318
D864,645 S * 10/2019 Perez D7/316
D874,206 S * 2/2020 Shir D7/321
2017/0135513 A1* 5/2017 Geurts A47J 27/2105
2018/0296025 A1* 10/2018 Pan A47J 31/20

* cited by examiner

Fig. 1

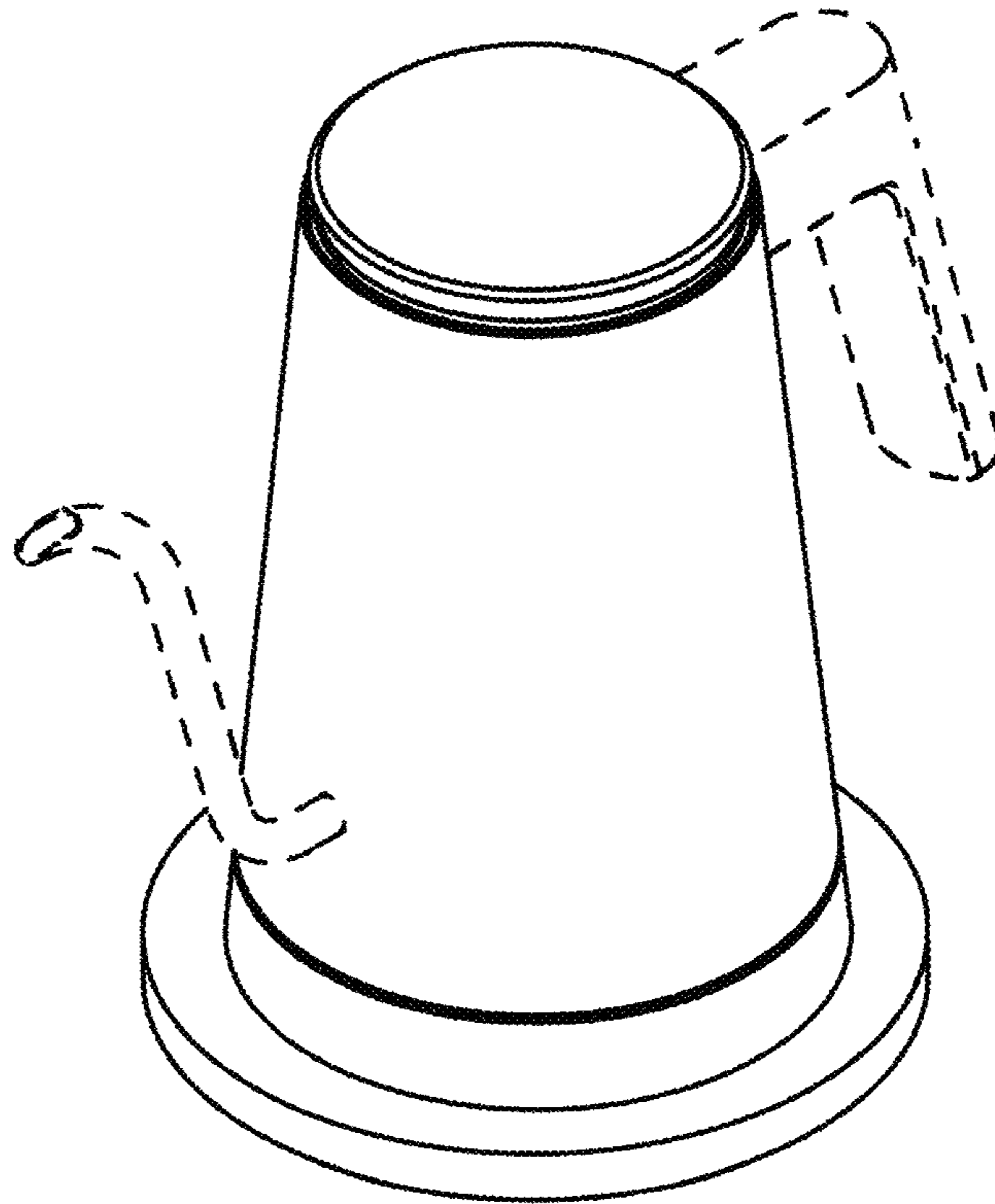


Fig. 2

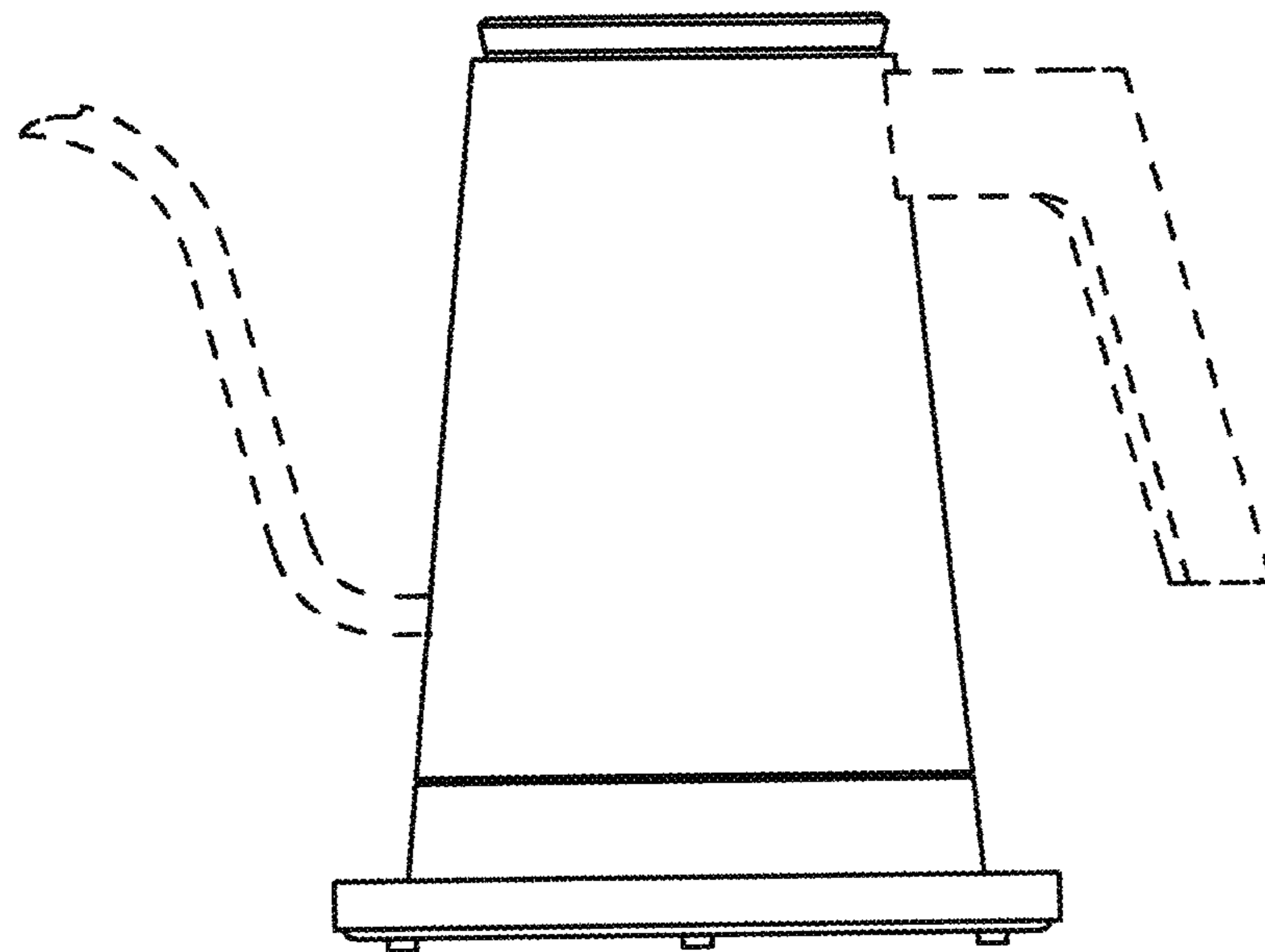


Fig. 3

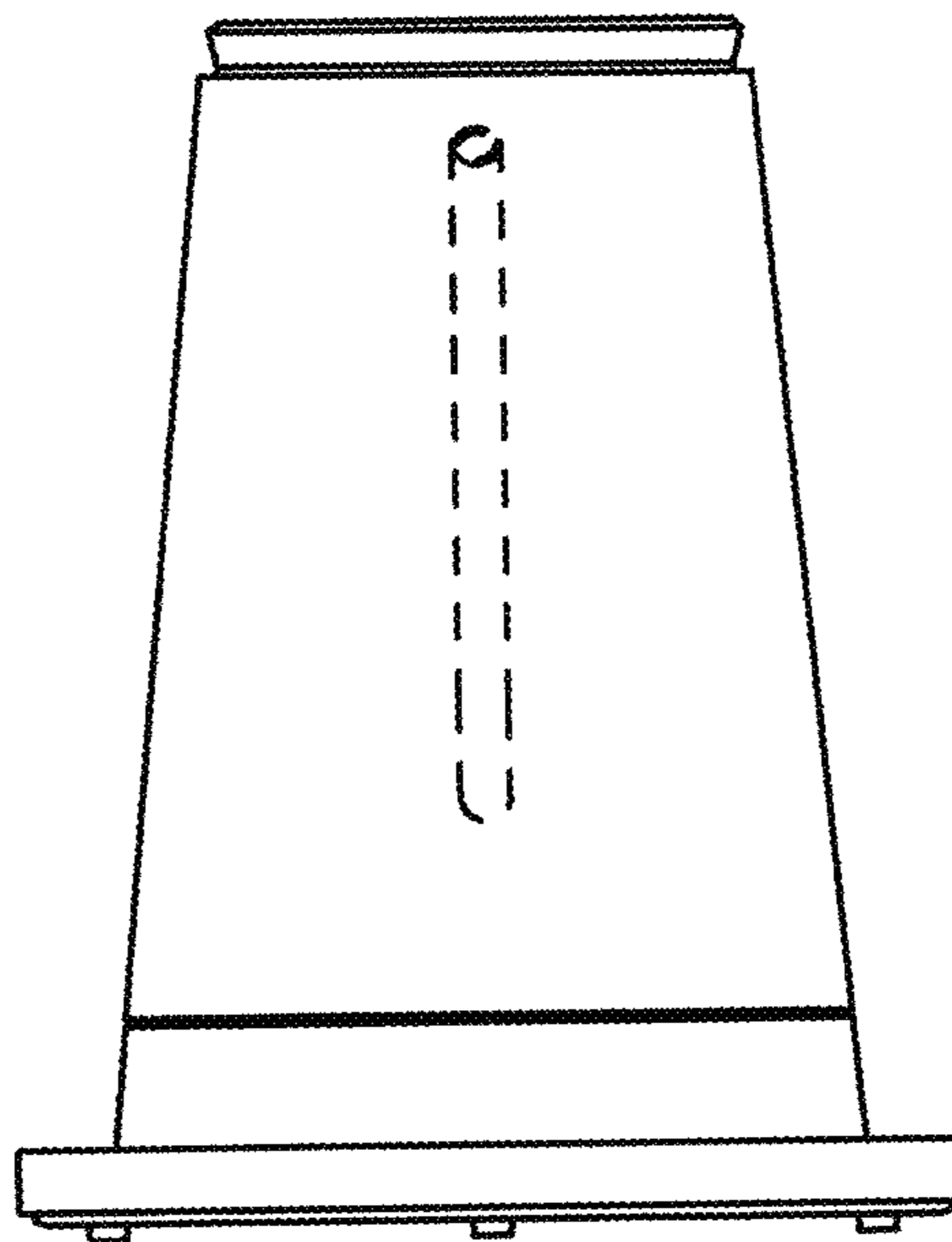


Fig. 4

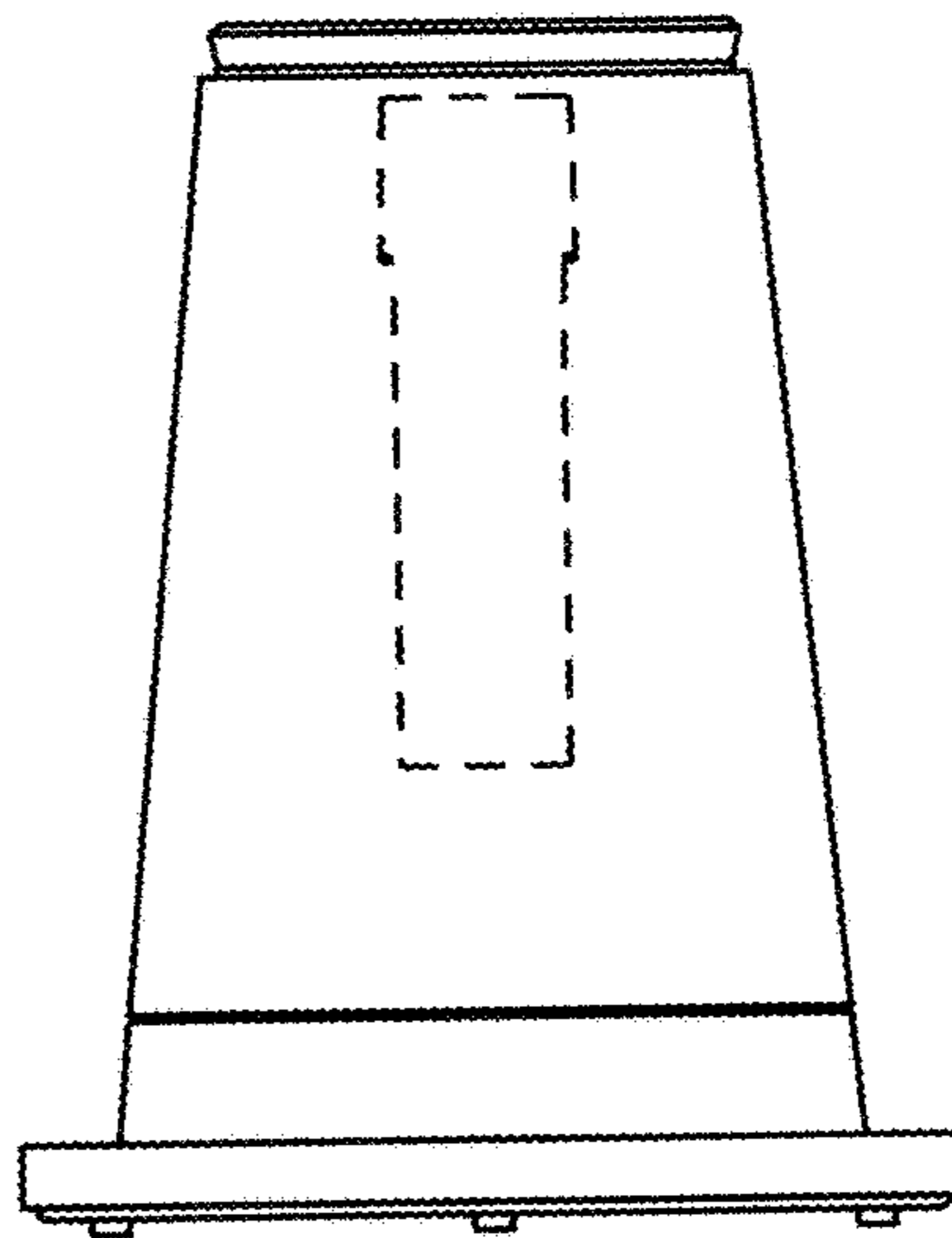


Fig. 5

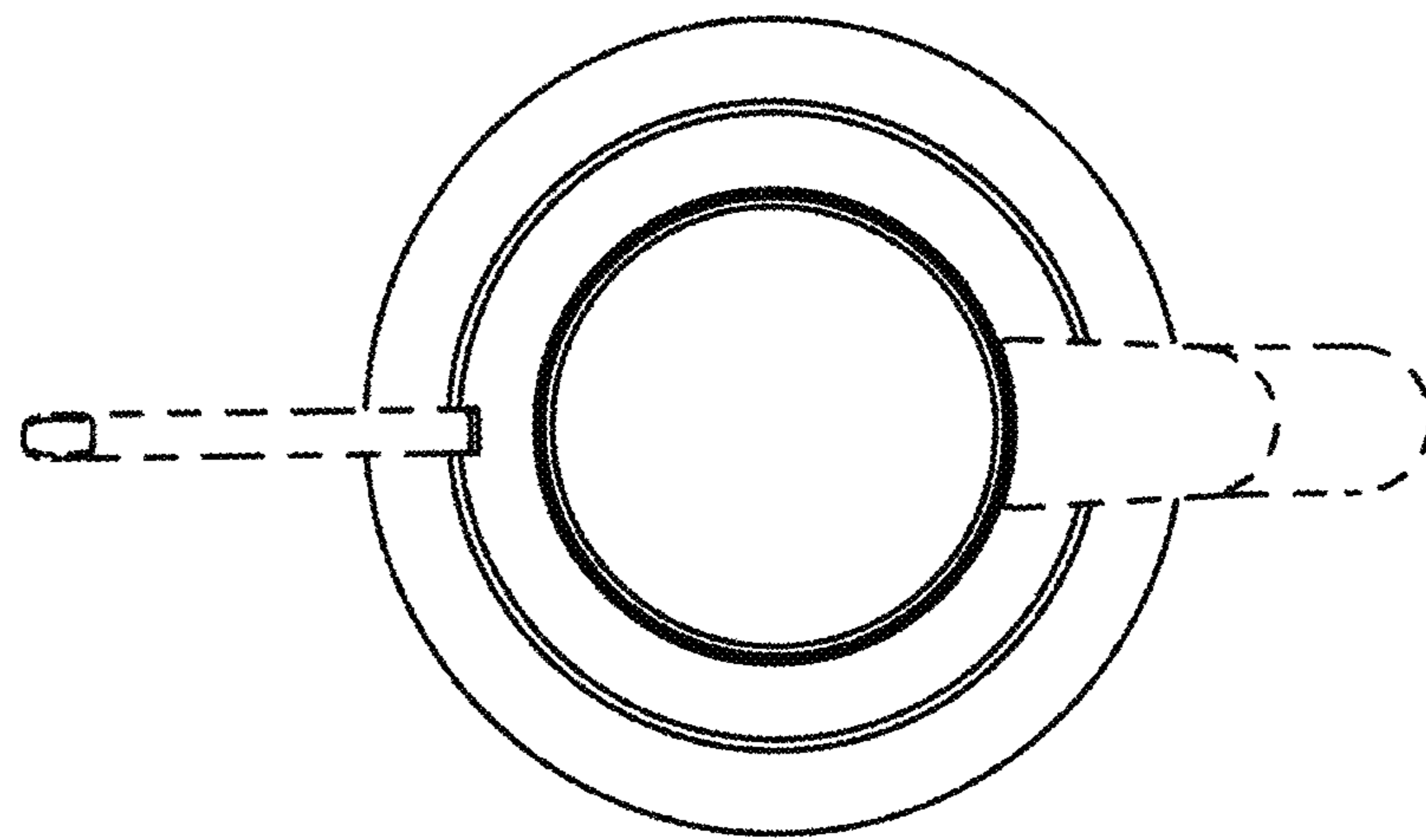


Fig. 6

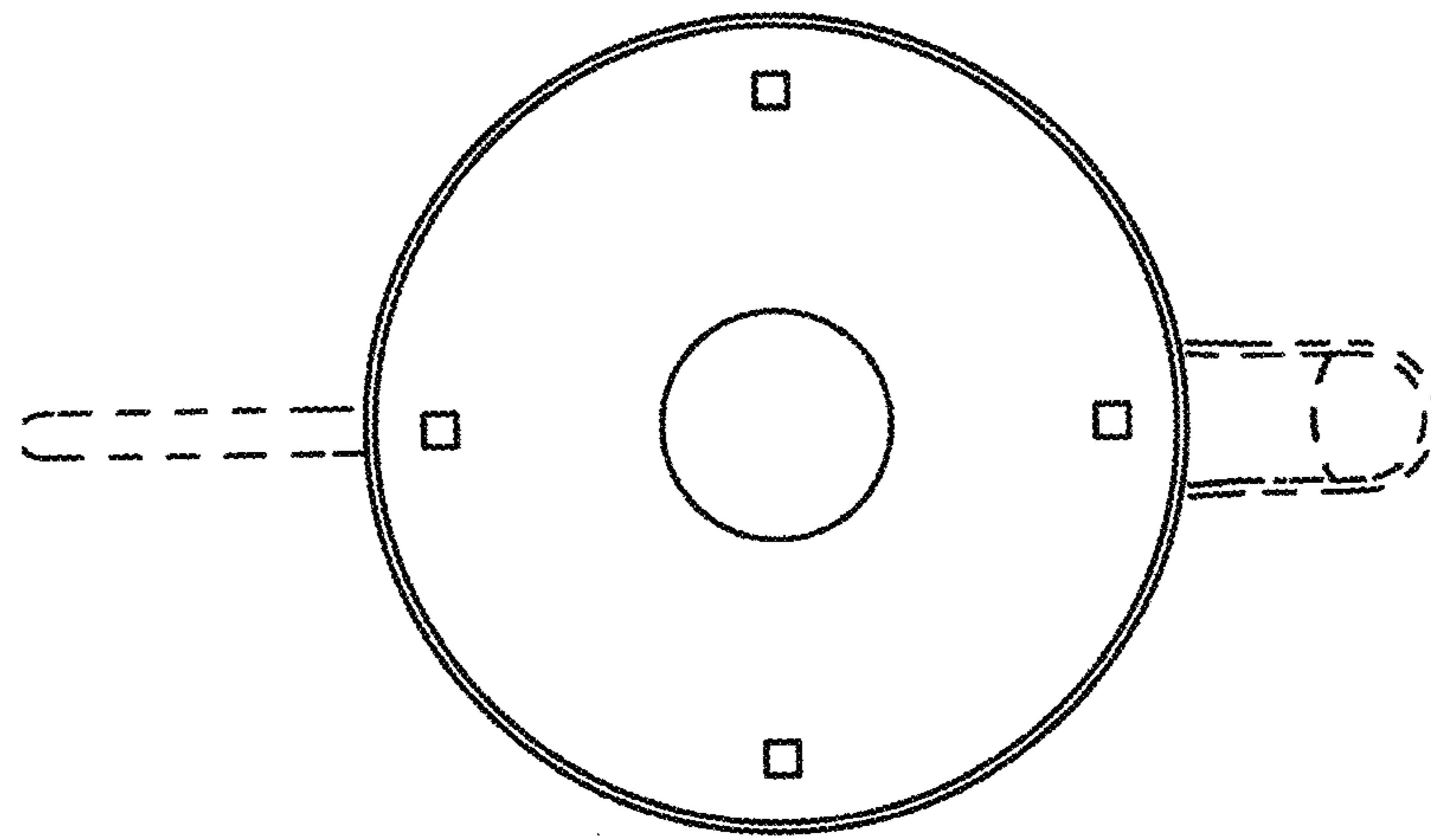


Fig. 7

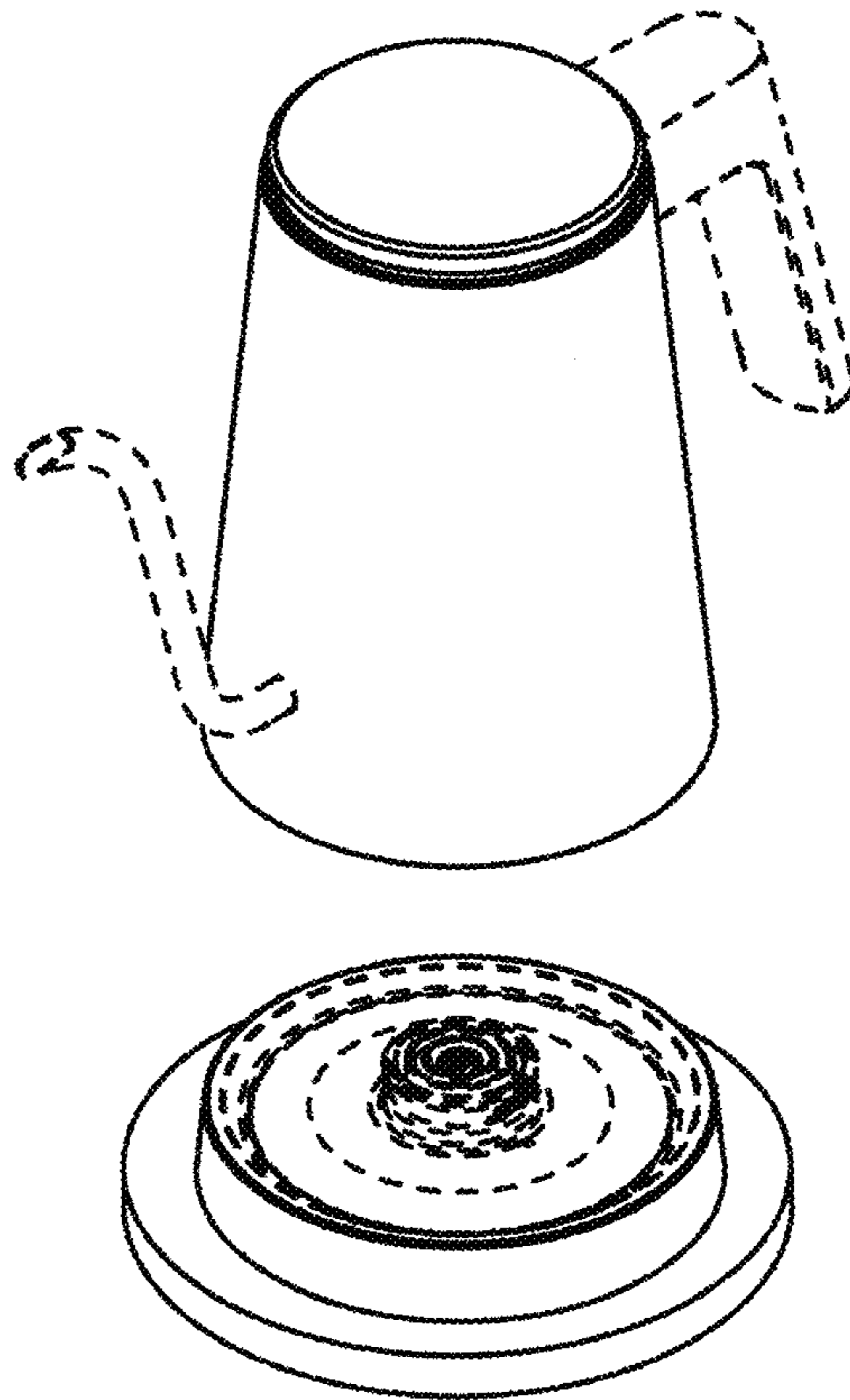


Fig. 8

