



US00D885108S

(12) **United States Design Patent**
Katsunuma

(10) **Patent No.:** **US D885,108 S**

(45) **Date of Patent:** **** May 26, 2020**

- (54) **ELECTRIC KETTLE**
- (71) Applicant: **KALITA CO., LTD.**, Kanagawa (JP)
- (72) Inventor: **Jun Katsunuma**, Tokyo (JP)
- (73) Assignee: **KALITA CO., LTD.**, Kanagawa (JP)
- (**) Term: **15 Years**
- (21) Appl. No.: **29/674,994**
- (22) Filed: **Dec. 27, 2018**
- (30) **Foreign Application Priority Data**
 - Jun. 28, 2018 (JP) D2018-14339
- (51) **LOC (12) Cl.** **07-01**
- (52) **U.S. Cl.**
USPC **D7/312**; D7/318; D7/316; D23/212
- (58) **Field of Classification Search**
USPC D7/598, 312, 317, 316, 399, 318, 319,
D7/300; D11/153, 146; D23/212
CPC A47G 19/22; A47G 19/16; A47G 19/12;
A47J 41/0094
See application file for complete search history.

7,569,797	B2 *	8/2009	Labelle	A47J 27/21175	219/438
D622,090	S *	8/2010	Bodum	D7/317	
D646,522	S *	10/2011	Collinson	D7/376	
D731,226	S *	6/2015	Sun	D7/316	
D738,669	S *	9/2015	Brook	D7/317	
9,131,542	B1 *	9/2015	Kamindki	H05B 6/108	
D753,948	S *	4/2016	Kestenbaum	D7/317	
D760,022	S *	6/2016	Garvey	D7/367	
9,532,671	B2 *	1/2017	Lin	A47G 19/12	
D796,888	S *	9/2017	Miller	D23/212	
D830,094	S *	10/2018	Barquin	D7/318	
D861,408	S *	10/2019	Hagger	D7/312	
D862,147	S *	10/2019	Hagger	D7/312	
D862,160	S *	10/2019	McConnell	D7/399	
D862,964	S *	10/2019	Tokoi	D7/318	
D864,645	S *	10/2019	Perez	D7/316	
D874,206	S *	2/2020	Shir	D7/321	
2017/0135513	A1 *	5/2017	Geurts	A47J 27/2105	
2018/0296025	A1 *	10/2018	Pan	A47J 31/20	

* cited by examiner

Primary Examiner — Marianne N Pandozzi
(74) *Attorney, Agent, or Firm* — Nakanishi IP Associates, LLC

(57) **CLAIM**

The ornamental design for an electric kettle, as shown and described.

DESCRIPTION

FIG. 1 is a front, top, and left side perspective view of an electric kettle,
FIG. 2 is a front elevation view thereof,
FIG. 3 is a top plan view thereof;
FIG. 4 is a bottom plan view thereof,
FIG. 5 is a right side elevation view thereof; and,
FIG. 6 is a left side elevation view thereof.
The broken lines shown in the drawings represent portions of the electric kettle and form no part of the claimed design.

1 Claim, 6 Drawing Sheets

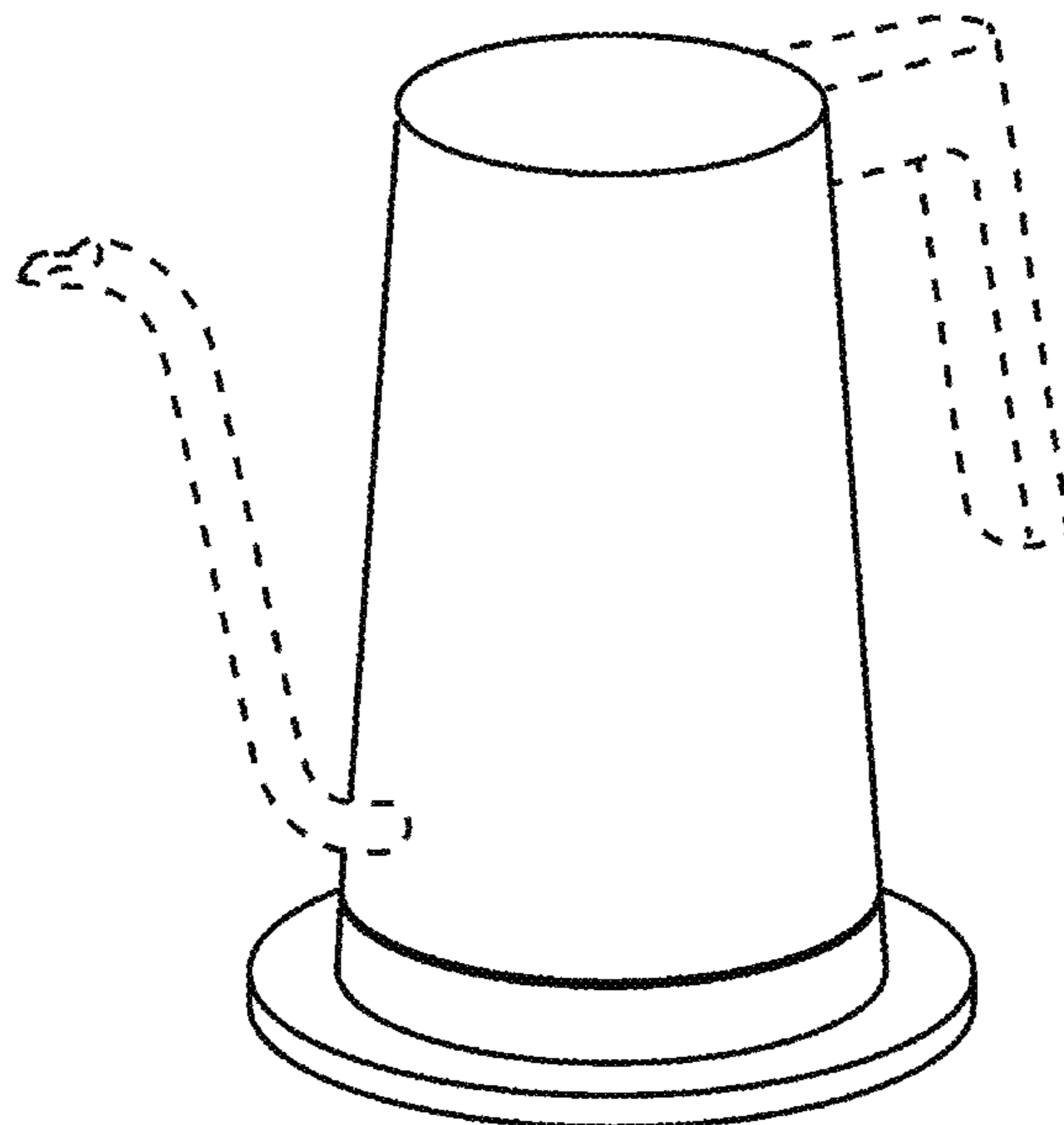


Fig. 1

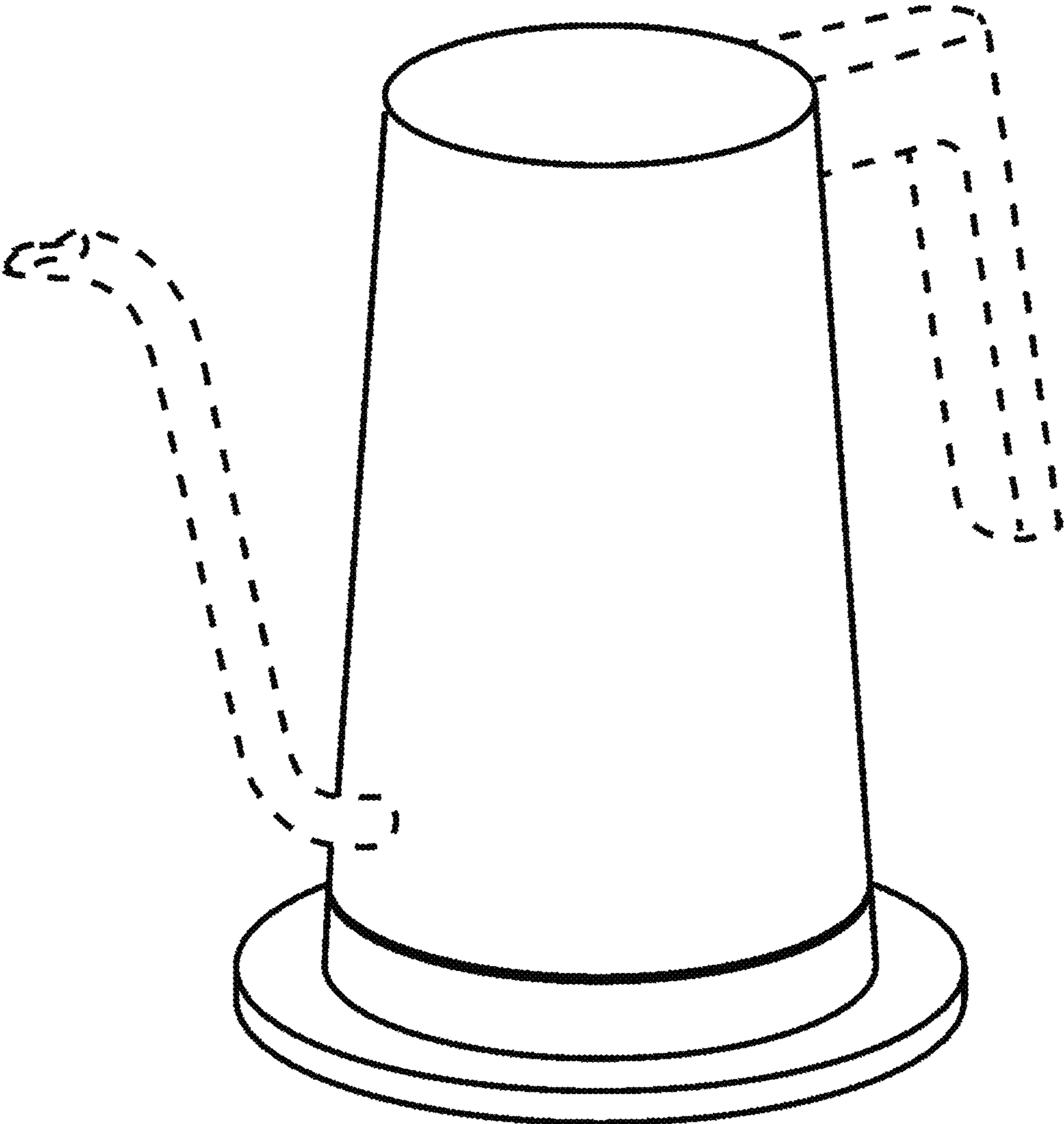


Fig. 2

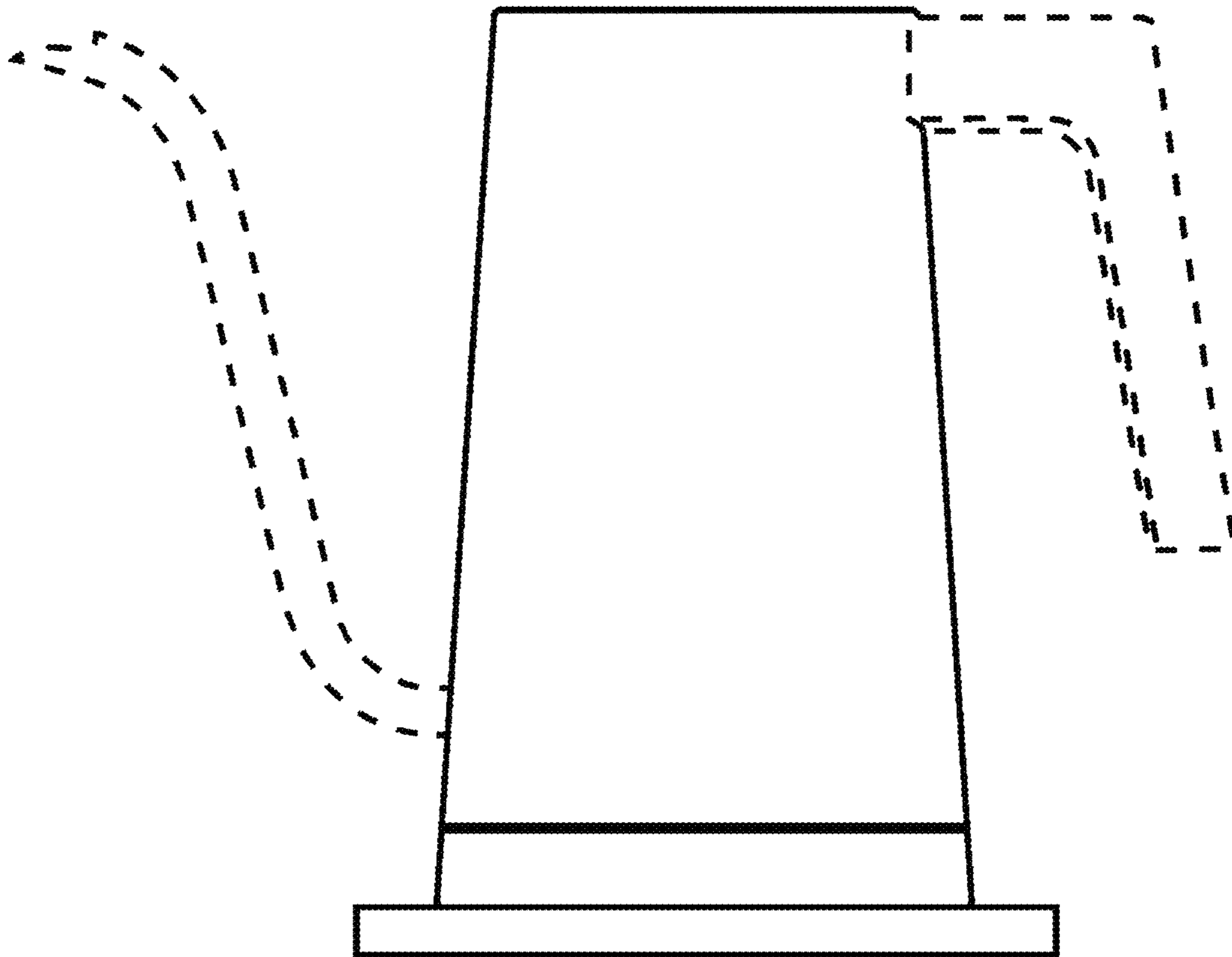


Fig. 3

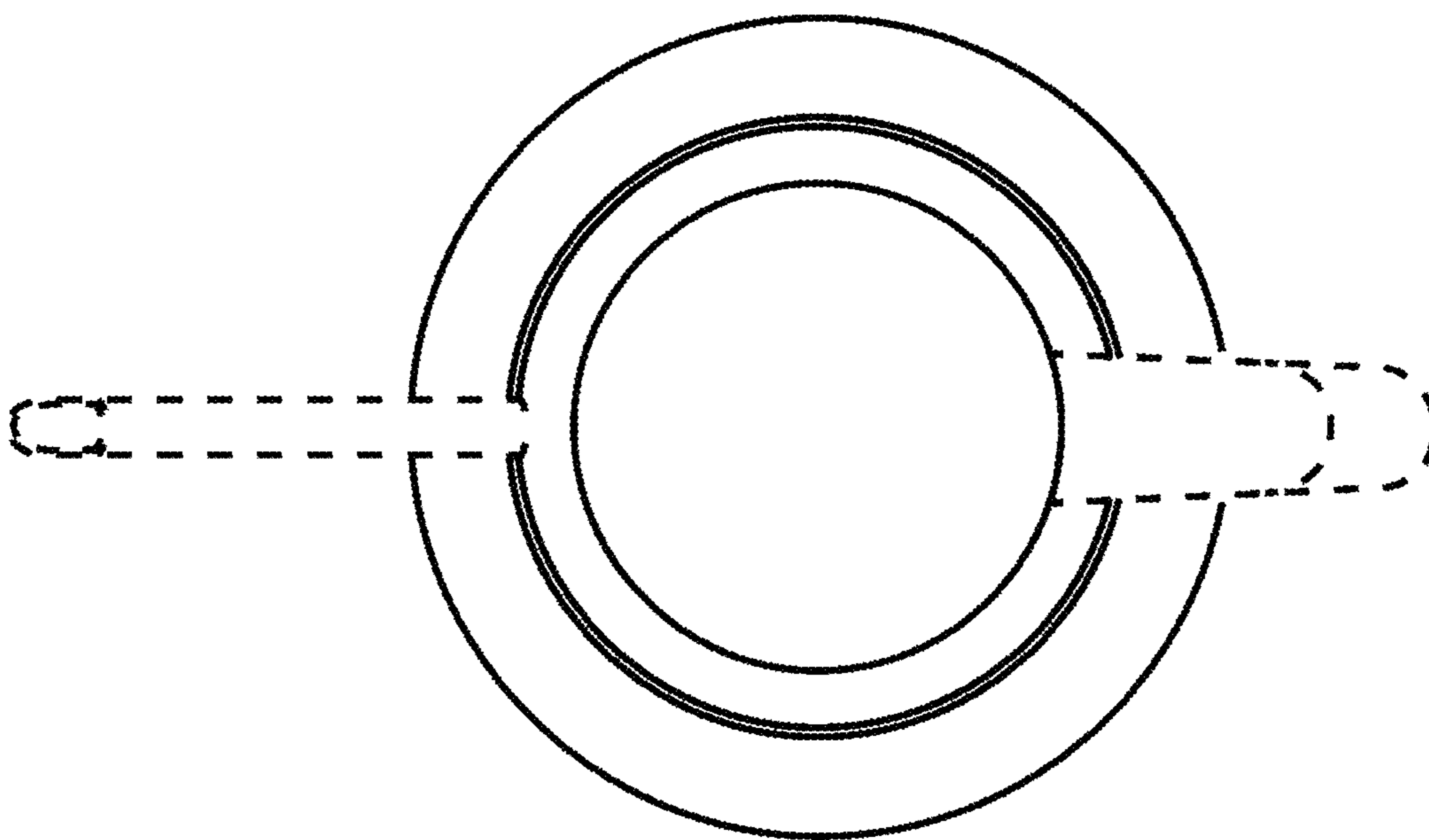


Fig. 4

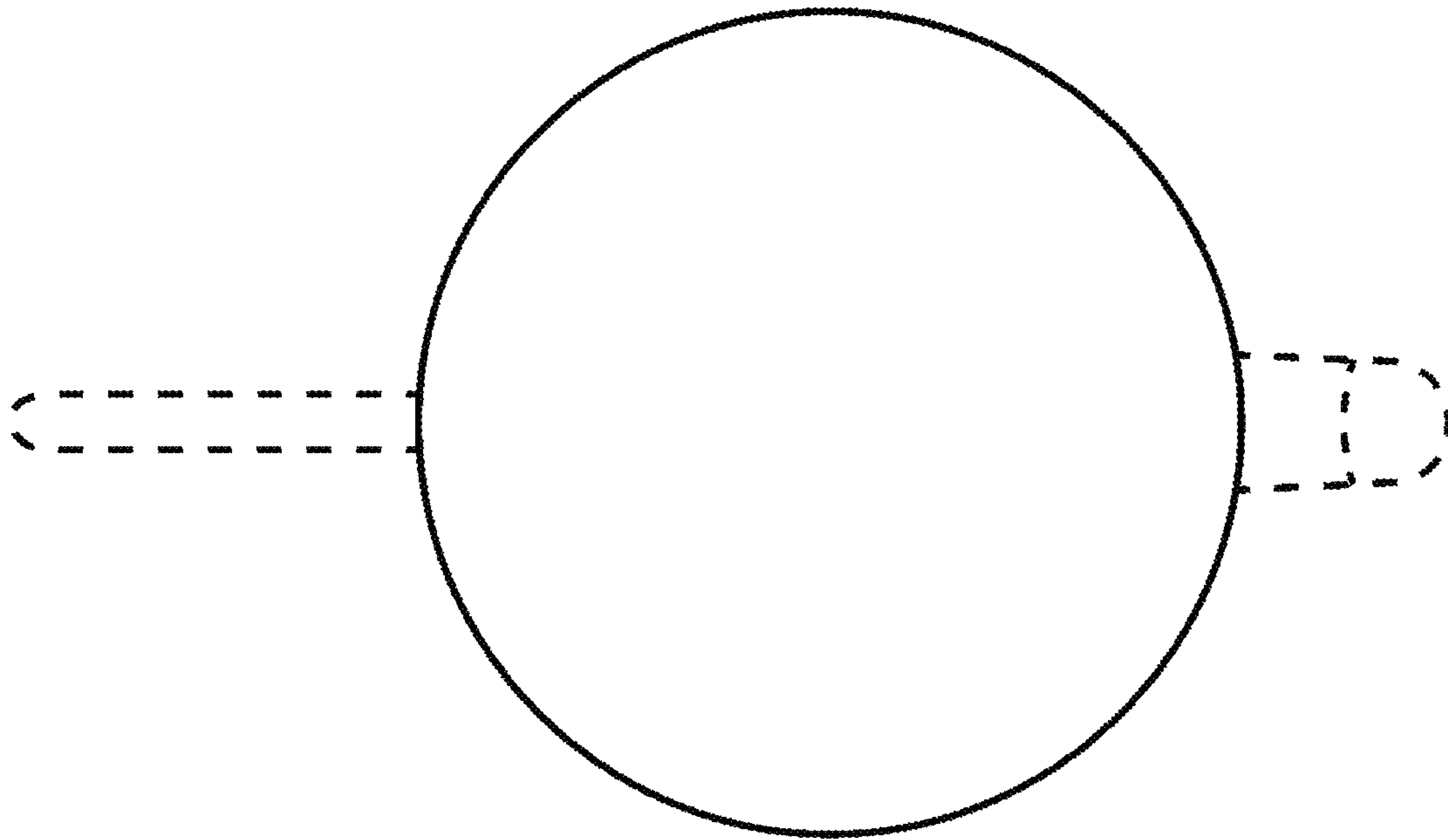


Fig. 5

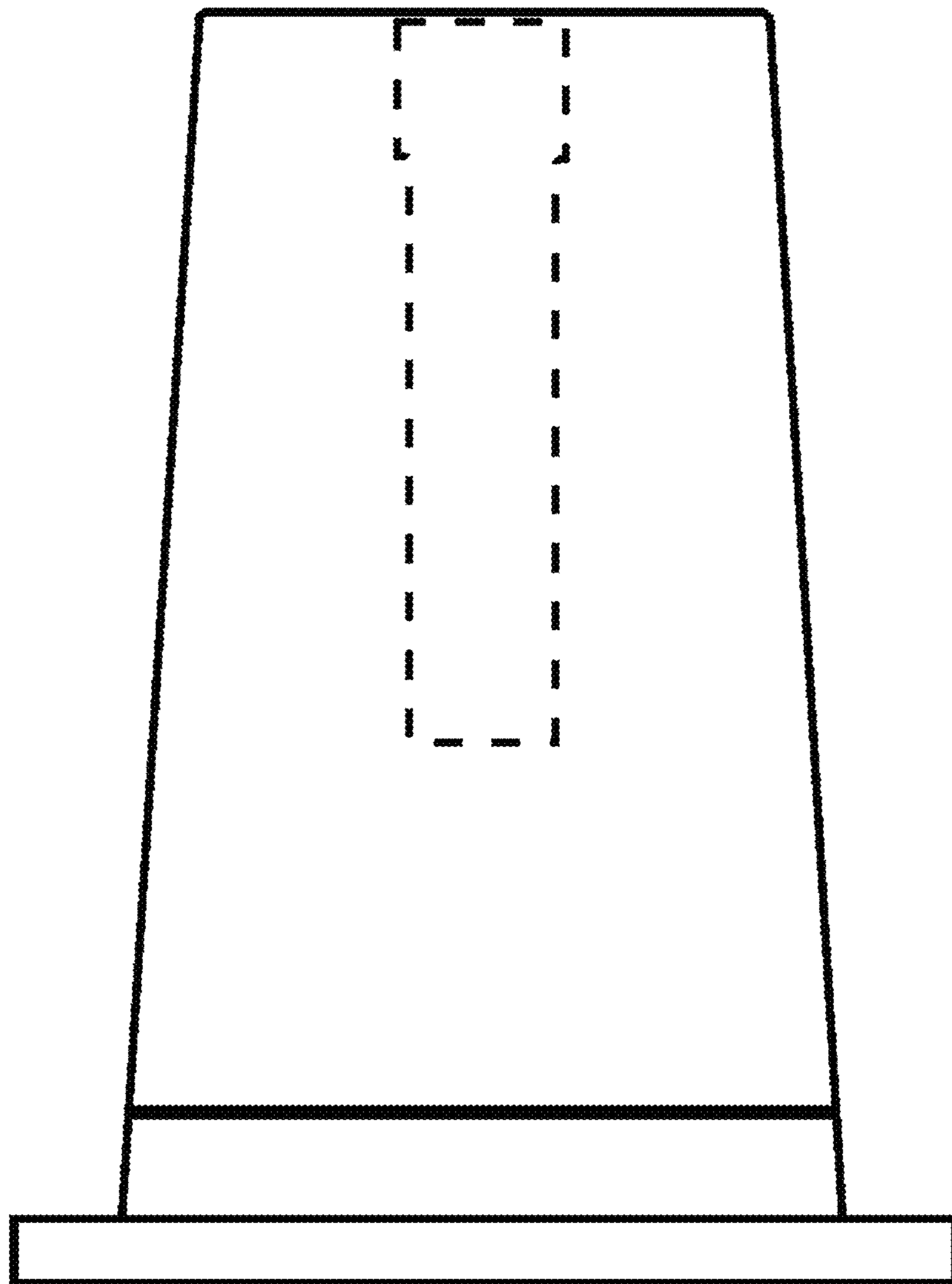


Fig. 6

