



US00D885107S

(12) **United States Design Patent**
Katsunuma

(10) **Patent No.:** **US D885,107 S**

(45) **Date of Patent:** **** May 26, 2020**

- (54) **ELECTRIC KETTLE**
- (71) Applicant: **KALITA CO., LTD.**, Kanagawa (JP)
- (72) Inventor: **Jun Katsunuma**, Tokyo (JP)
- (73) Assignee: **KALITA CO., LTD.**, Kanagawa (JP)
- (**) Term: **15 Years**
- (21) Appl. No.: **29/674,988**
- (22) Filed: **Dec. 27, 2018**
- (30) **Foreign Application Priority Data**
 - Jun. 28, 2018 (JP) D2018-14337
- (51) **LOC (12) Cl.** **07-01**
- (52) **U.S. Cl.**
 - USPC **D7/312**; D7/318; D7/316; D23/212
- (58) **Field of Classification Search**
 - USPC D7/598, 312, 317, 316, 399, 318, 319,
D7/300; D11/153, 146; D23/212
 - CPC A47G 19/22; A47G 19/16; A47G 19/12;
A47J 41/0094

See application file for complete search history.

- 7,569,797 B2 * 8/2009 Labelle A47J 27/21175
219/438
- D622,090 S * 8/2010 Bodum D7/317
- D646,522 S * 10/2011 Collinson D7/376
- D731,226 S * 6/2015 Sun D7/316
- D738,669 S * 9/2015 Brook D7/317
- 9,131,542 B1 * 9/2015 Kamindki H05B 6/108
- D753,948 S * 4/2016 Kestenbaum D7/317
- D760,022 S * 6/2016 Garvey D7/367
- 9,532,671 B2 * 1/2017 Lin A47G 19/12
- D796,888 S * 9/2017 Miller D23/212
- D830,094 S * 10/2018 Barquin D7/318
- D861,408 S * 10/2019 Hagger D7/312
- D862,147 S * 10/2019 Hagger D7/312
- D862,160 S * 10/2019 McConnell D7/399
- D862,964 S * 10/2019 Tokoi D7/318
- D864,645 S * 10/2019 Perez D7/316
- D874,206 S * 2/2020 Shir D7/321
- 2017/0135513 A1 * 5/2017 Geurts A47J 27/2105
- 2018/0296025 A1 * 10/2018 Pan A47J 31/20

* cited by examiner

Primary Examiner — Marianne N Pandozzi
(74) *Attorney, Agent, or Firm* — Nakanishi IP Associates, LLC

(57) **CLAIM**

The ornamental design for an electric kettle, as shown and described.

DESCRIPTION

FIG. 1 is a front, top, and left side perspective view of an electric kettle,
FIG. 2 is a front elevation view thereof,
FIG. 3 is a top plan view thereof;
FIG. 4 is a bottom plan view thereof,
FIG. 5 is a right side elevation view thereof; and,
FIG. 6 is a left side elevation view thereof.
The broken lines shown in the drawings represent portions of the electric kettle and form no part of the claimed design.

1 Claim, 6 Drawing Sheets

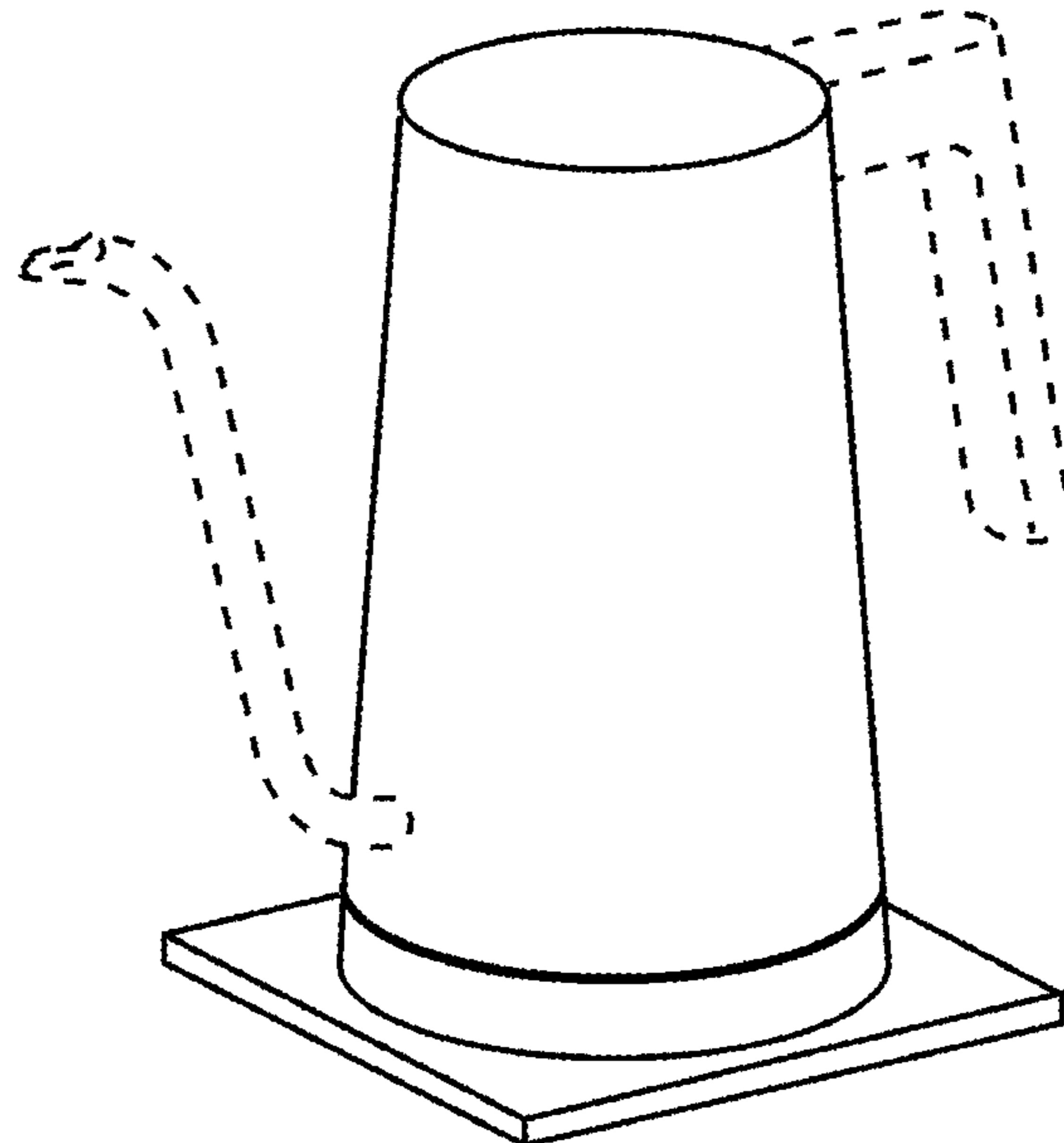


Fig. 1

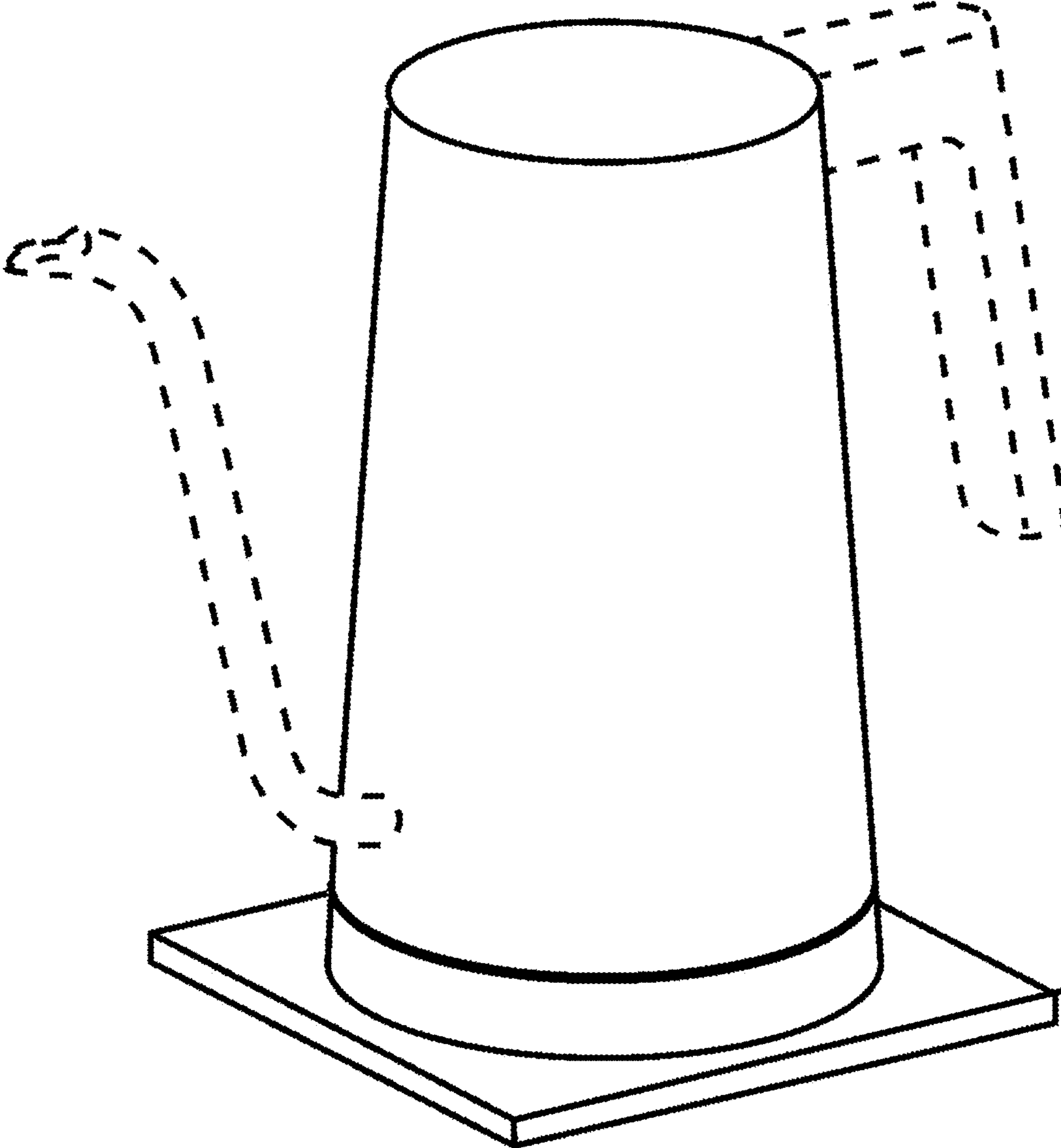


Fig. 2

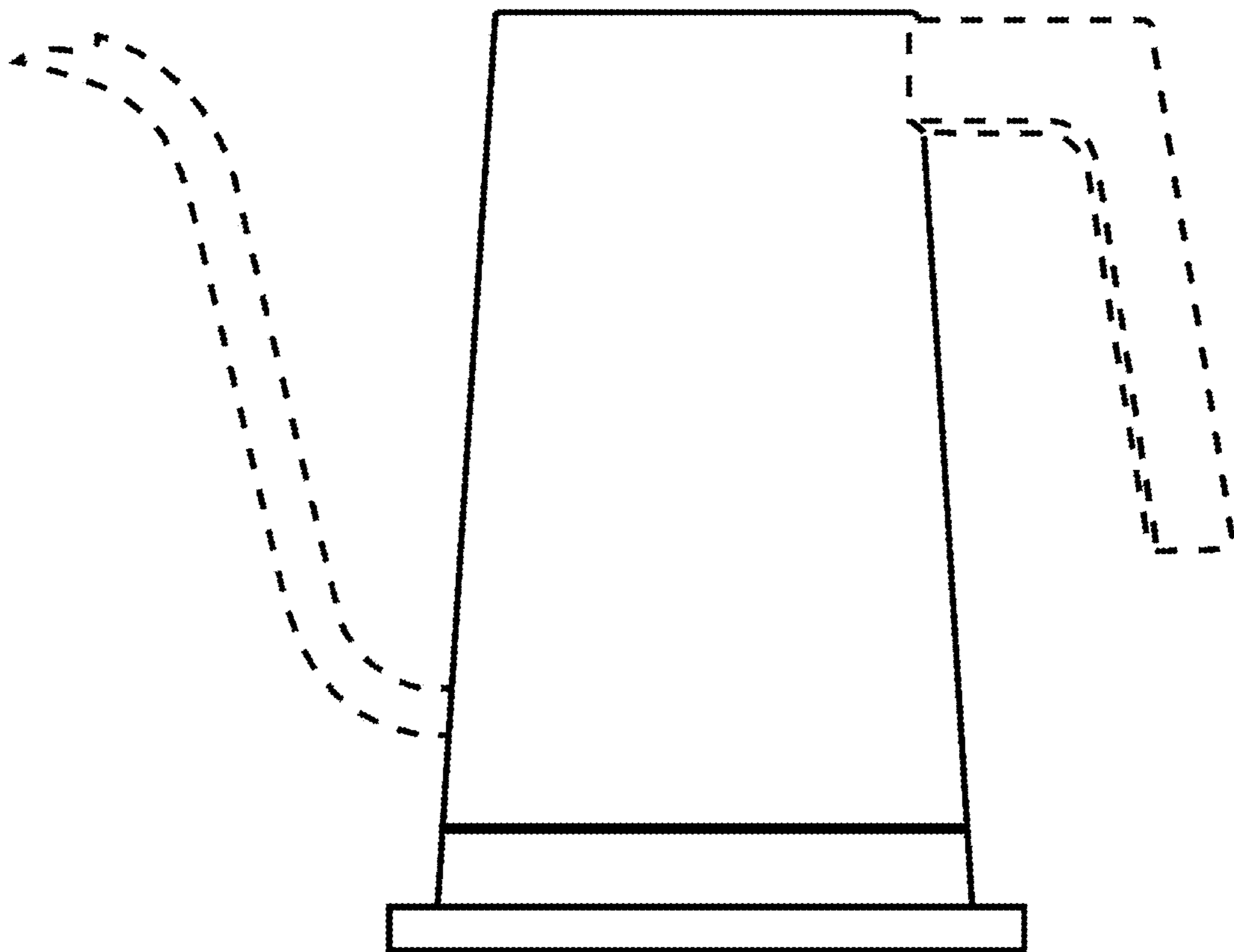


Fig. 3

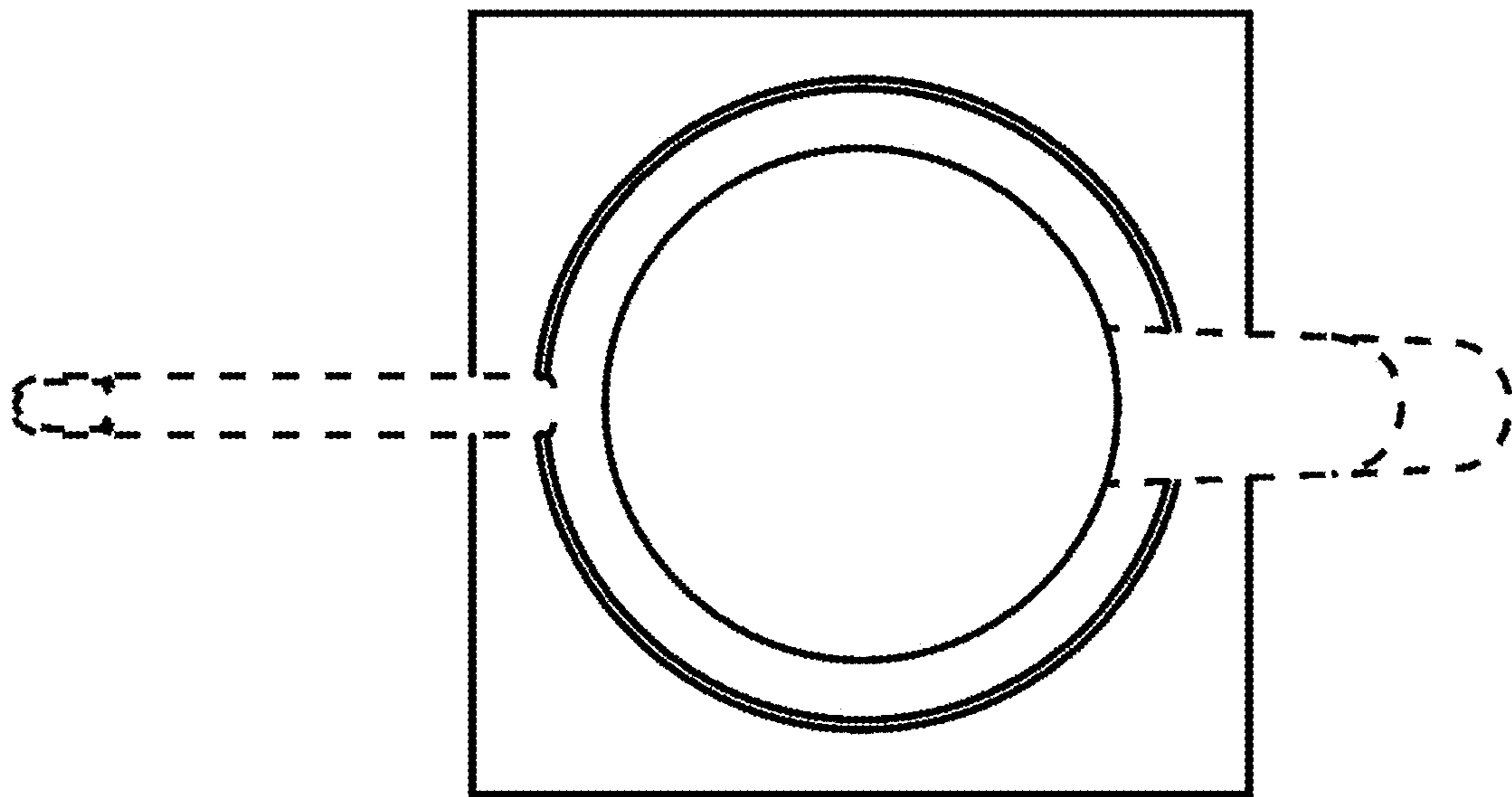


Fig. 4

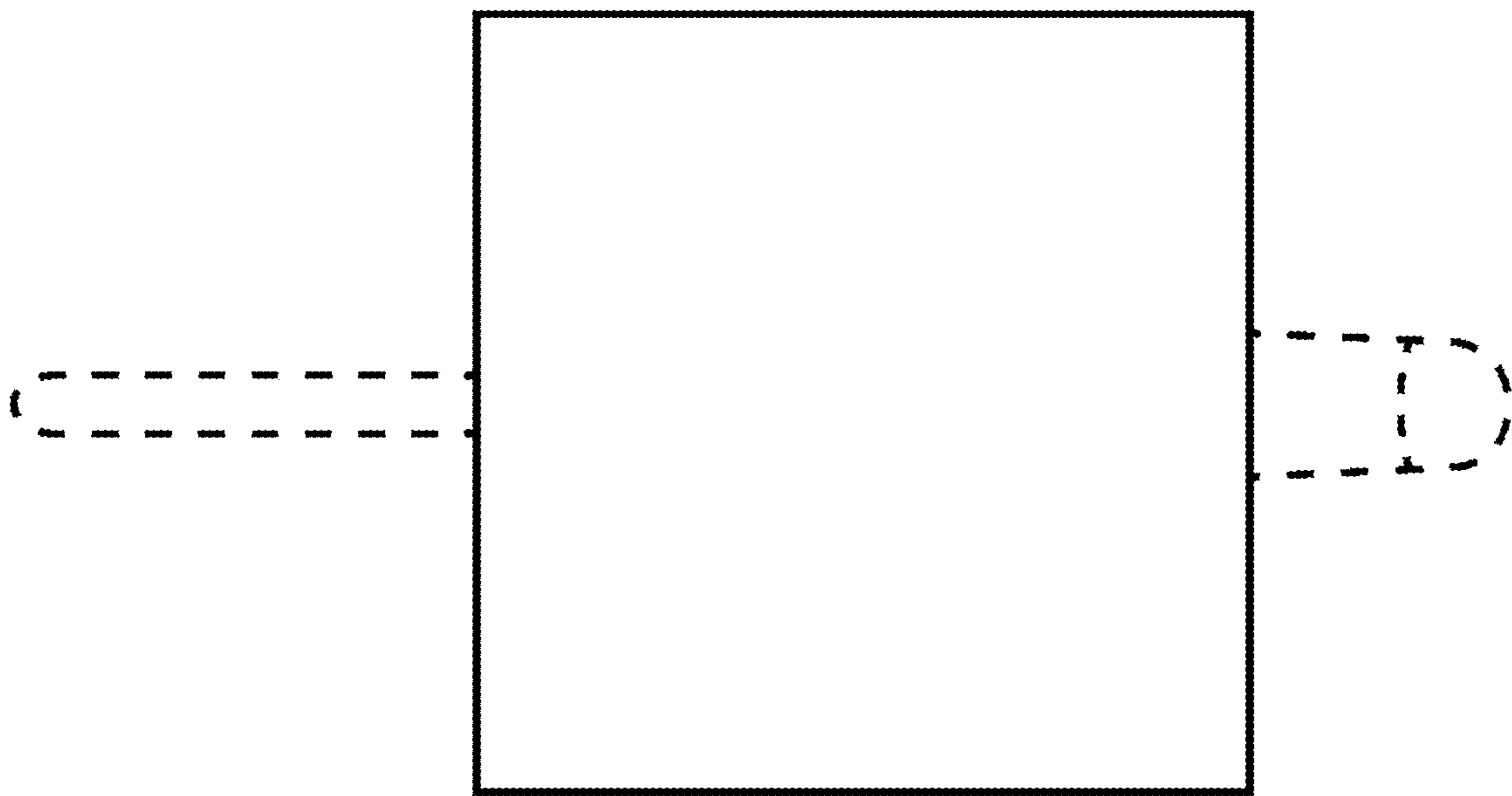


Fig. 5

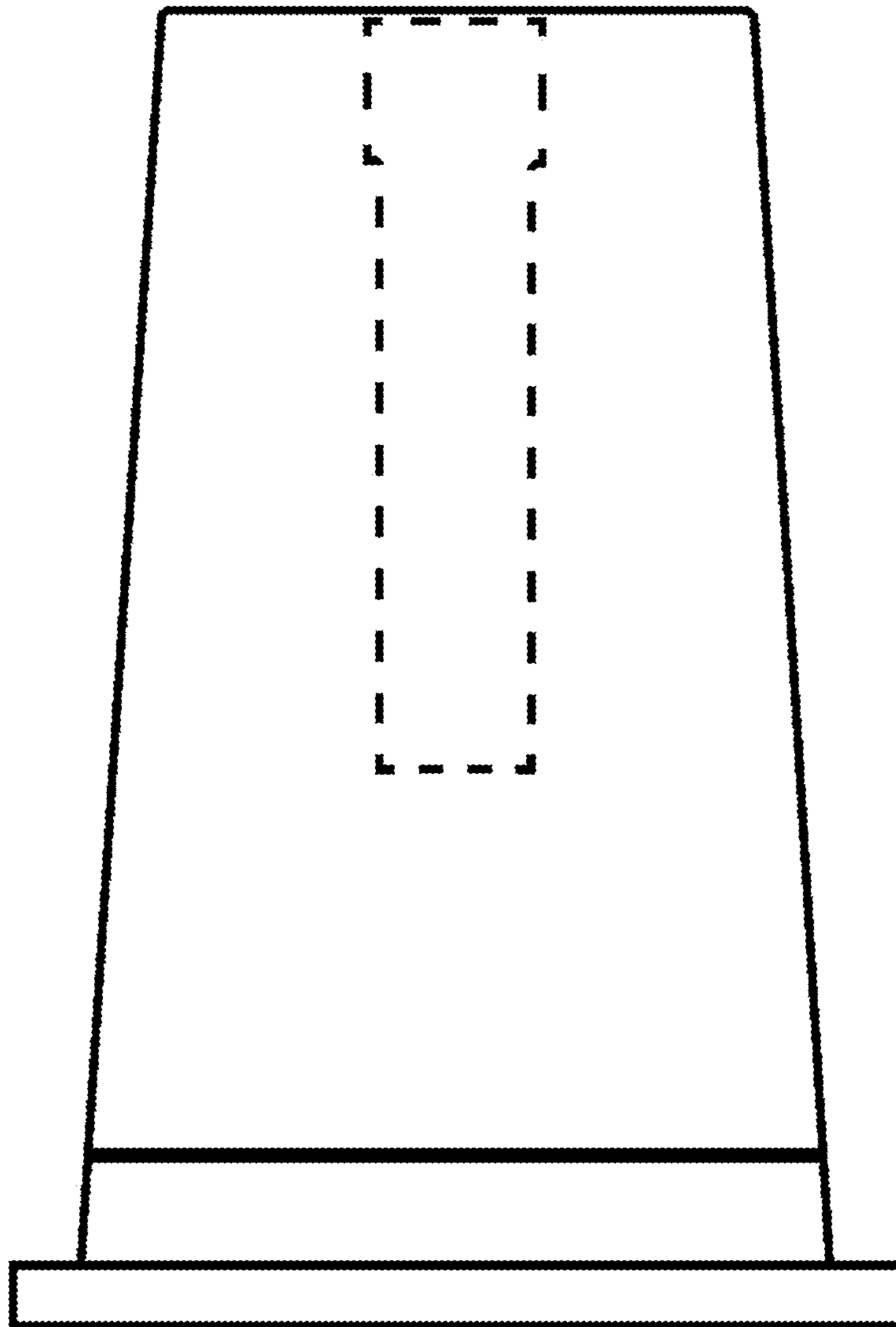


Fig. 6

