



US00D885106S

(12) **United States Design Patent** (10) **Patent No.:** **US D885,106 S**
Ye (45) **Date of Patent:** **** May 26, 2020**

(54) **BEVERAGE MAKER**
(71) Applicant: **Hamilton Beach Brands, Inc.**, Glen Allen, VA (US)
(72) Inventor: **Guoyao Ye**, Glen Allen, VA (US)
(73) Assignee: **Hamilton Beach Brands, Inc.**, Glen Allen, VA (US)
(**) Term: **15 Years**

D564,280 S * 3/2008 Ting D7/309
D620,301 S * 7/2010 Picozza D7/309
D625,134 S * 10/2010 Moore D7/309
D627,188 S * 11/2010 Picozza D7/306
D628,007 S * 11/2010 Di Bitonto D7/309
D669,154 S * 10/2012 Choi D23/207
D677,510 S * 3/2013 Tetreault D7/309
D719,776 S * 12/2014 Kunz D7/309
D721,531 S * 1/2015 Krasne D7/309
D766,653 S * 9/2016 Rosati D7/397
D792,739 S * 7/2017 Palermo D7/306
D800,496 S * 10/2017 Palermo D7/397
2014/0013958 A1 * 1/2014 Krasne A47J 31/407
99/284

(21) Appl. No.: **29/680,679**
(22) Filed: **Feb. 19, 2019**
(51) **LOC (12) Cl.** **07-01**
(52) **U.S. Cl.**
USPC **D7/306; D7/311**
(58) **Field of Classification Search**
USPC D7/300, 309-311, 306-308, 305, 397,
D7/355, 362, 365, 367, 399; 222/146.6,
222/185.1, 135; 99/295, 323.1; D23/207
CPC A47J 31/02; A47J 31/407; A47J 31/18;
A47J 31/061; A47J 31/4403; B67D
1/0869; B67D 1/0004; B67D 1/0036
See application file for complete search history.

* cited by examiner

Primary Examiner — Marianne N Pandozzi
(74) *Attorney, Agent, or Firm* — Alexander D. Raring

(57) **CLAIM**

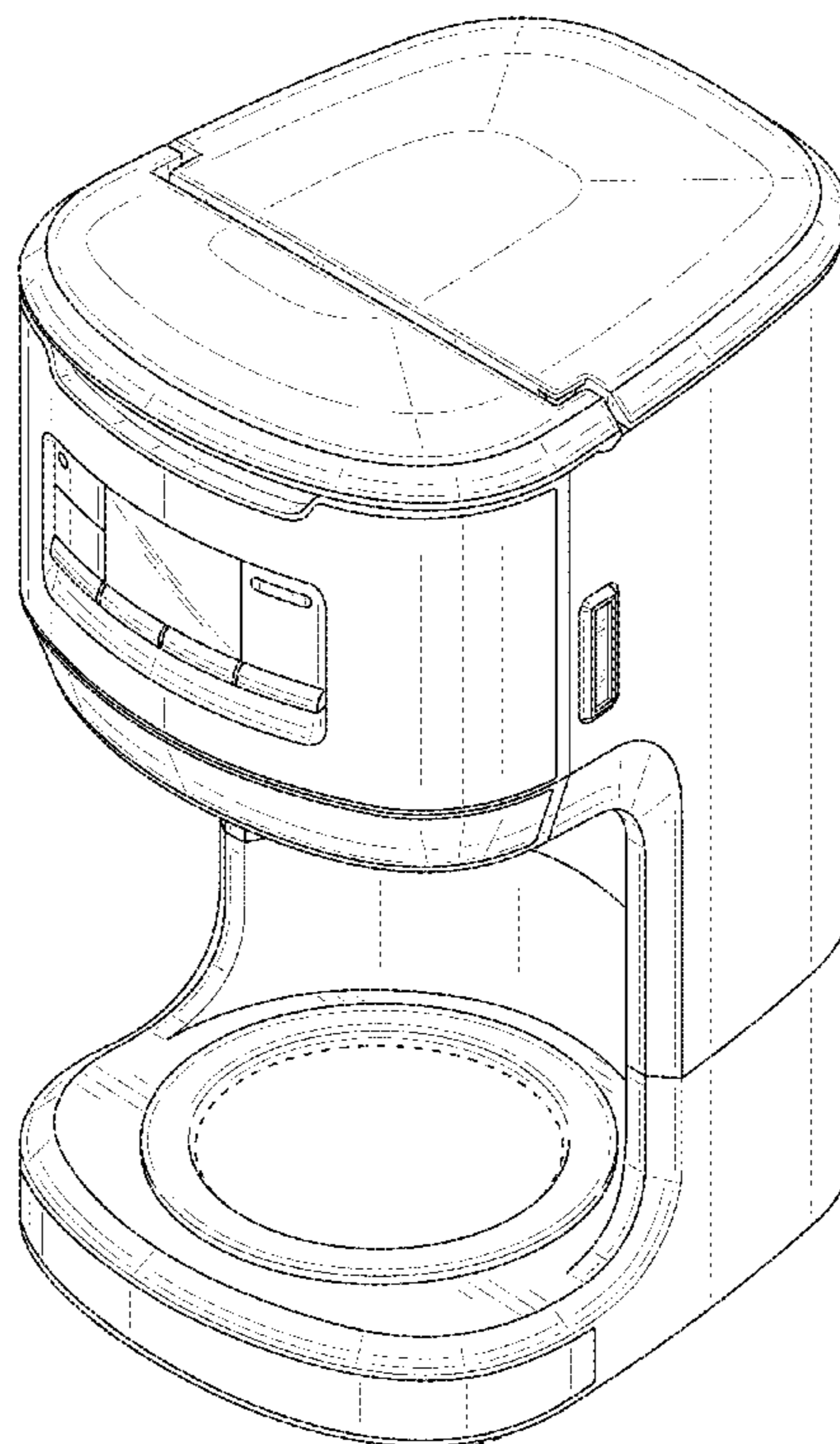
The ornamental design for a beverage maker, as shown and described.

DESCRIPTION

FIG. 1 is a perspective view of a beverage maker showing my new design;
FIG. 2 is a front view thereof;
FIG. 3 is a rear view thereof;
FIG. 4 is a left side view thereof;
FIG. 5 is a right side view thereof;
FIG. 6 is a top view thereof; and,
FIG. 7 is a bottom view thereof.
The broken lines in the drawing depict portions of the beverage maker that form no part of the claimed design.

(56) **References Cited**
U.S. PATENT DOCUMENTS
D453,636 S * 2/2002 Lewis D6/381
D454,466 S * 3/2002 Hong D7/309
D515,348 S * 2/2006 McWilliam D7/306
D545,110 S * 6/2007 Julemont D7/309
D546,112 S * 7/2007 Rorke D7/309

1 Claim, 7 Drawing Sheets



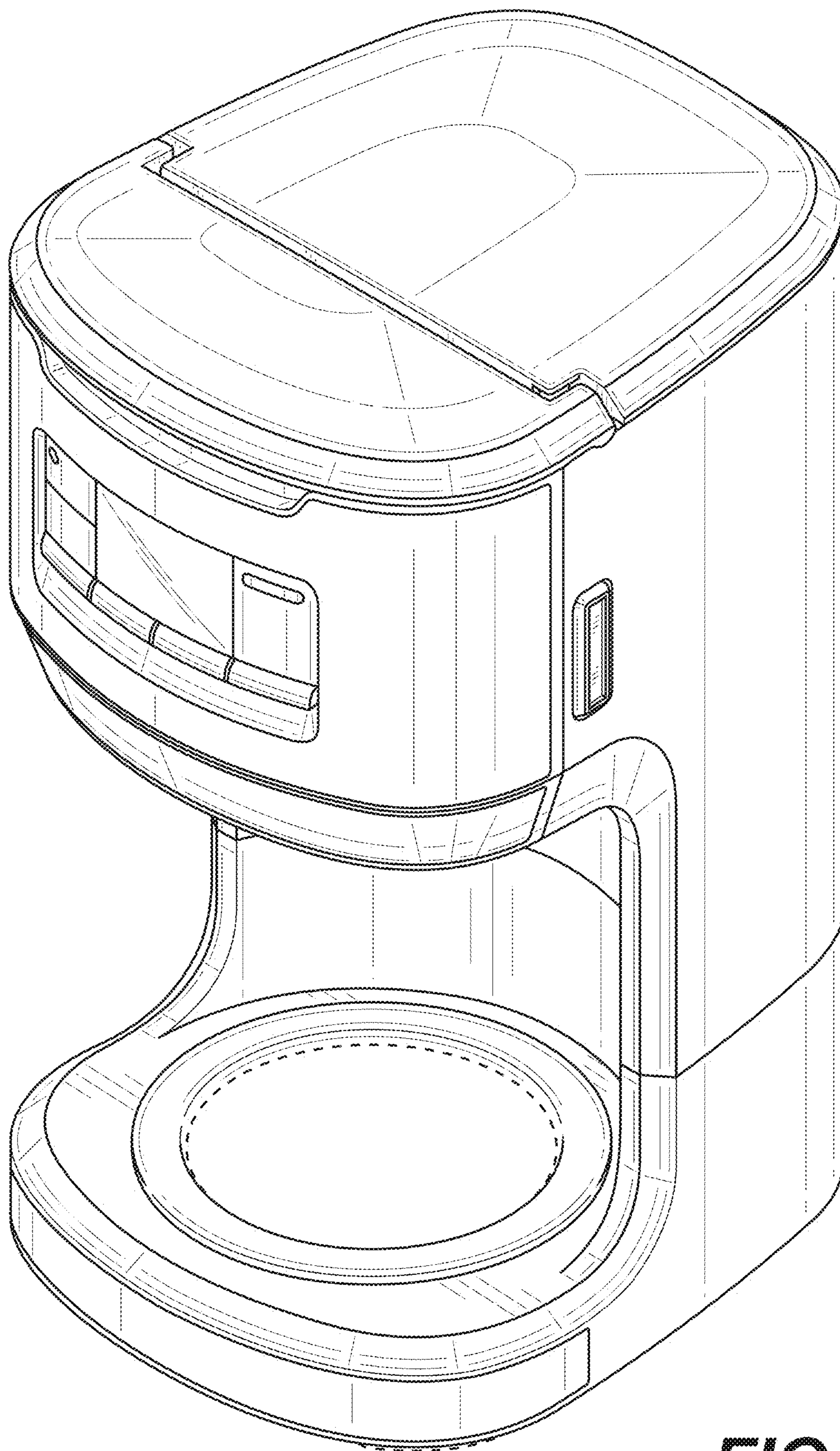


FIG. 1

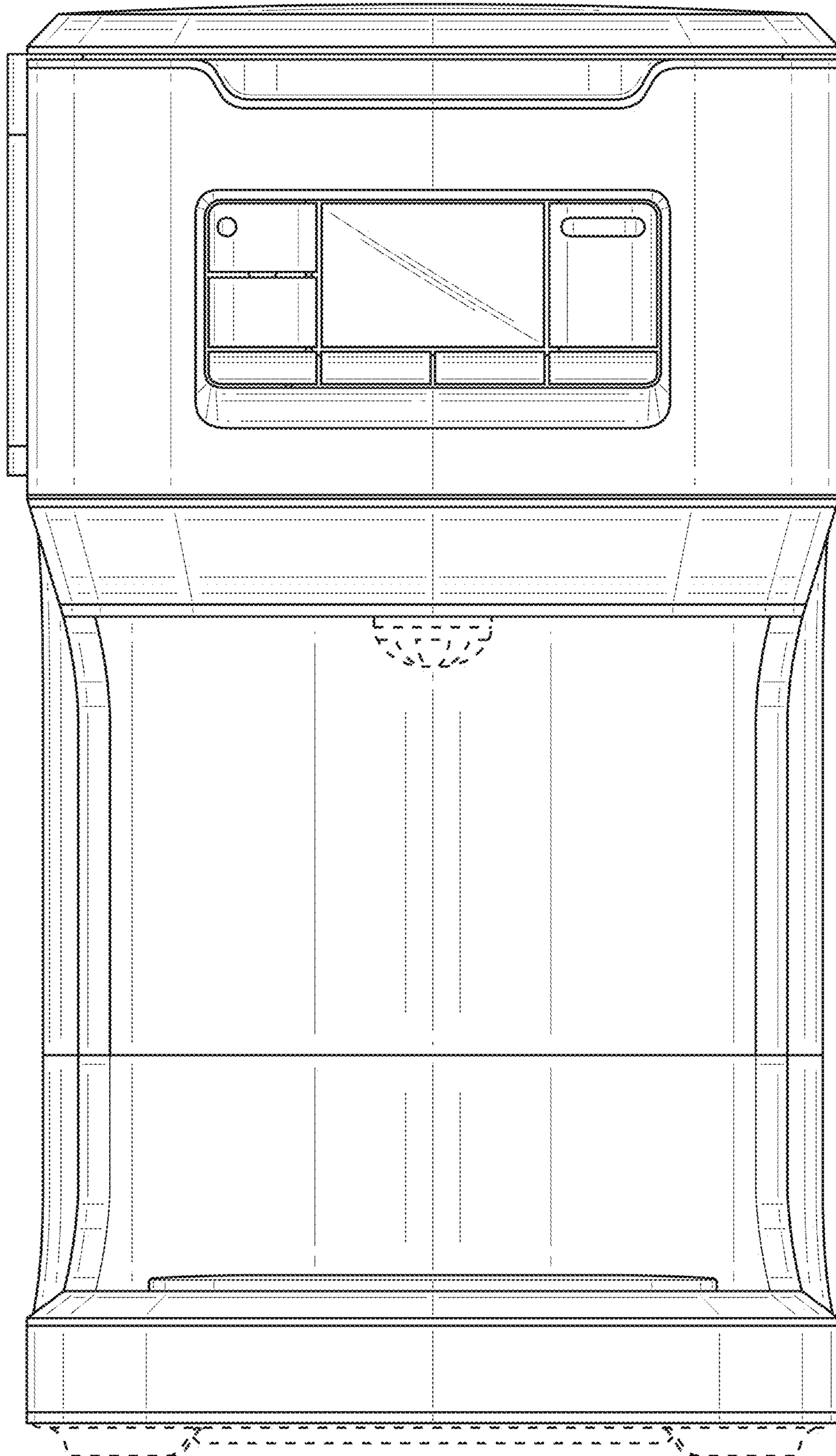


FIG. 2

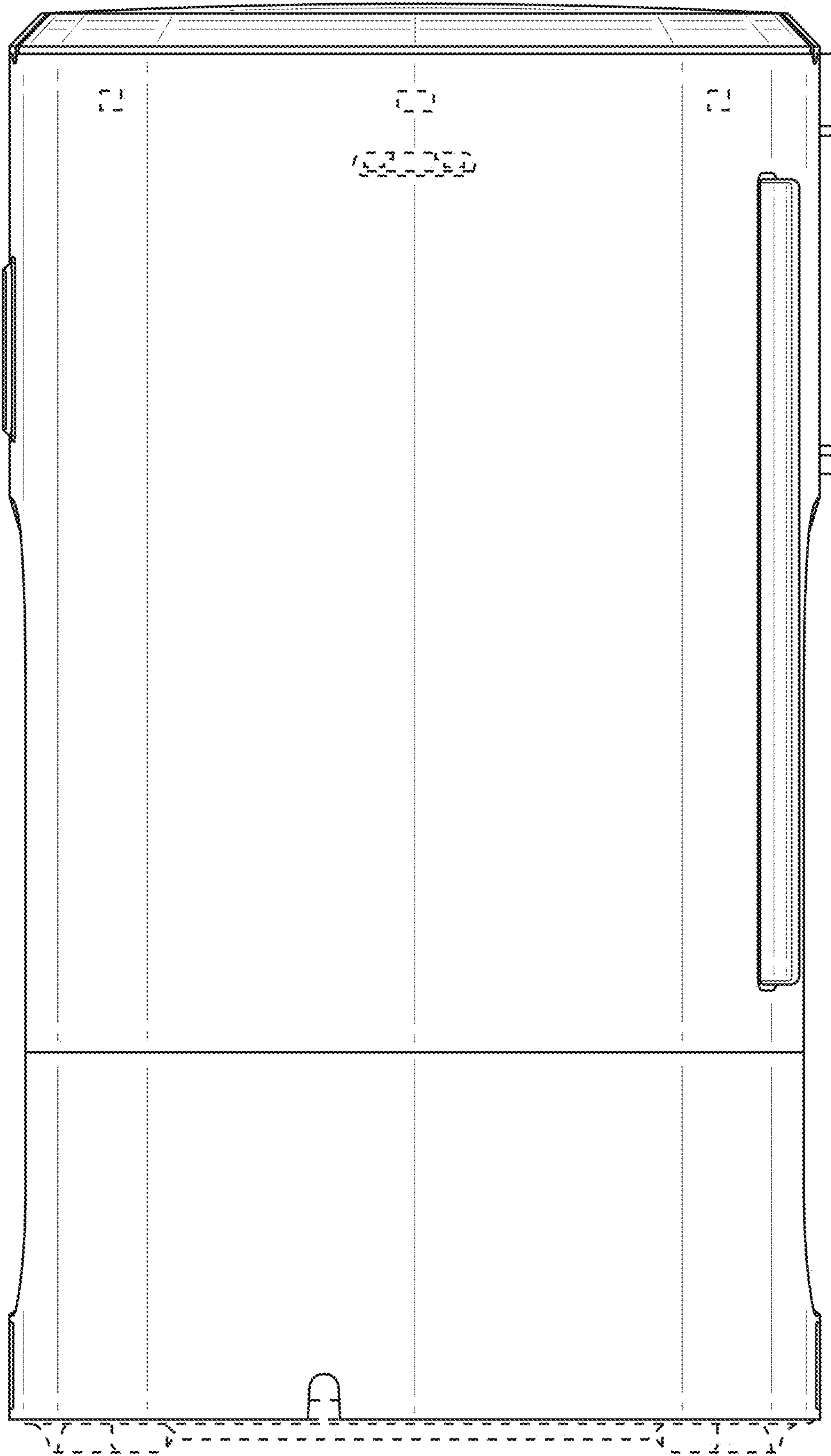


FIG. 3

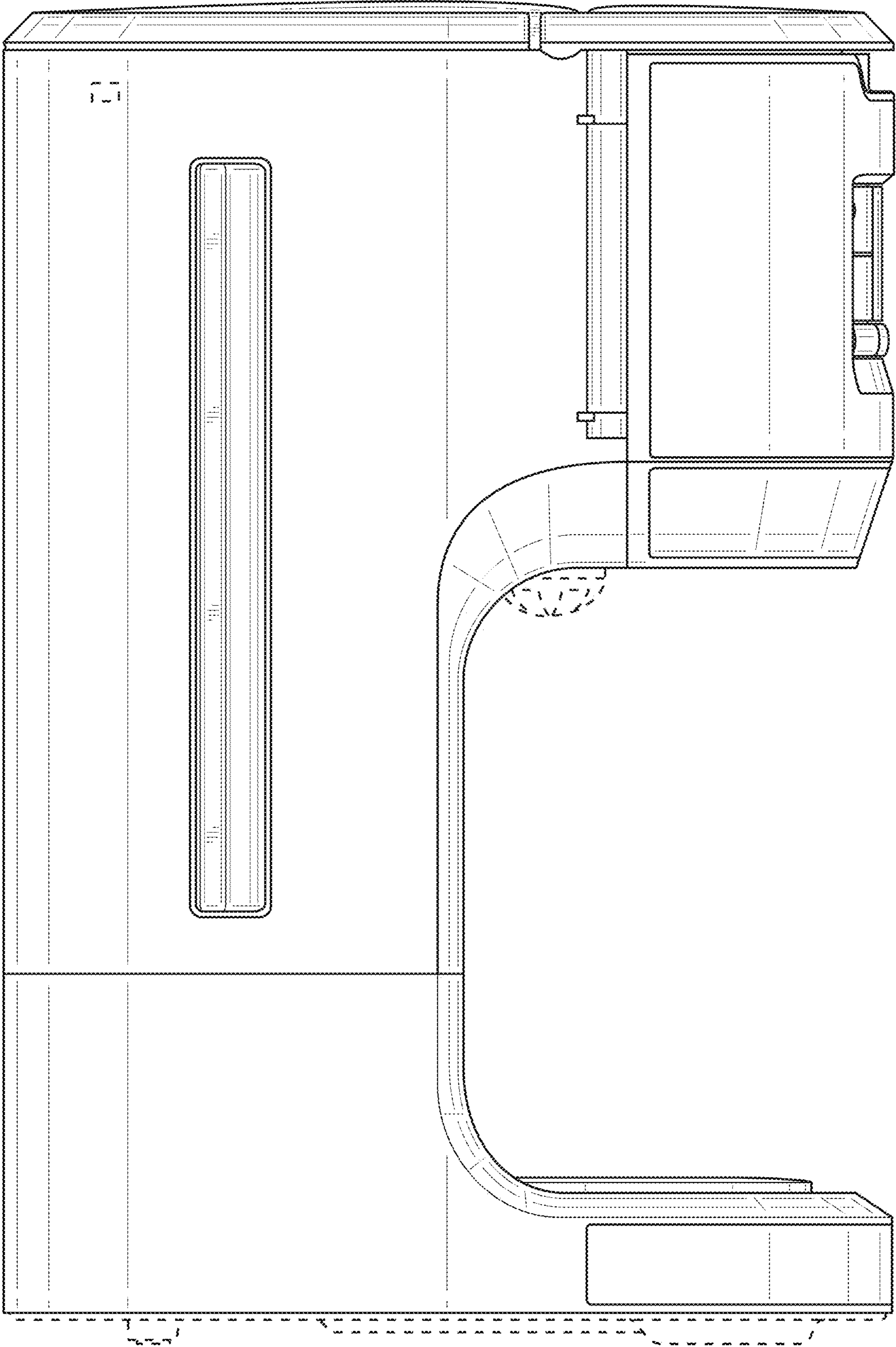


FIG. 4

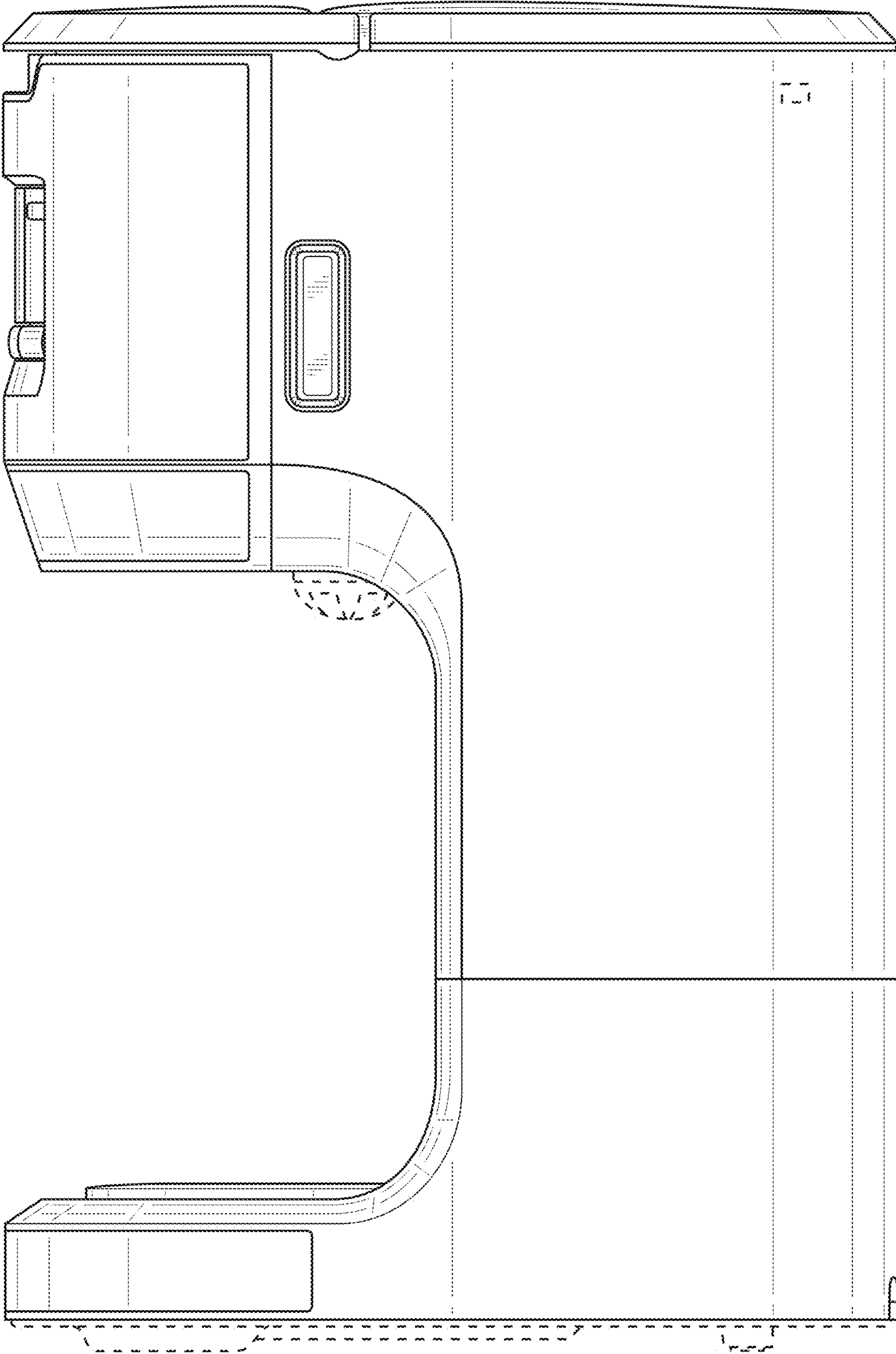


FIG. 5

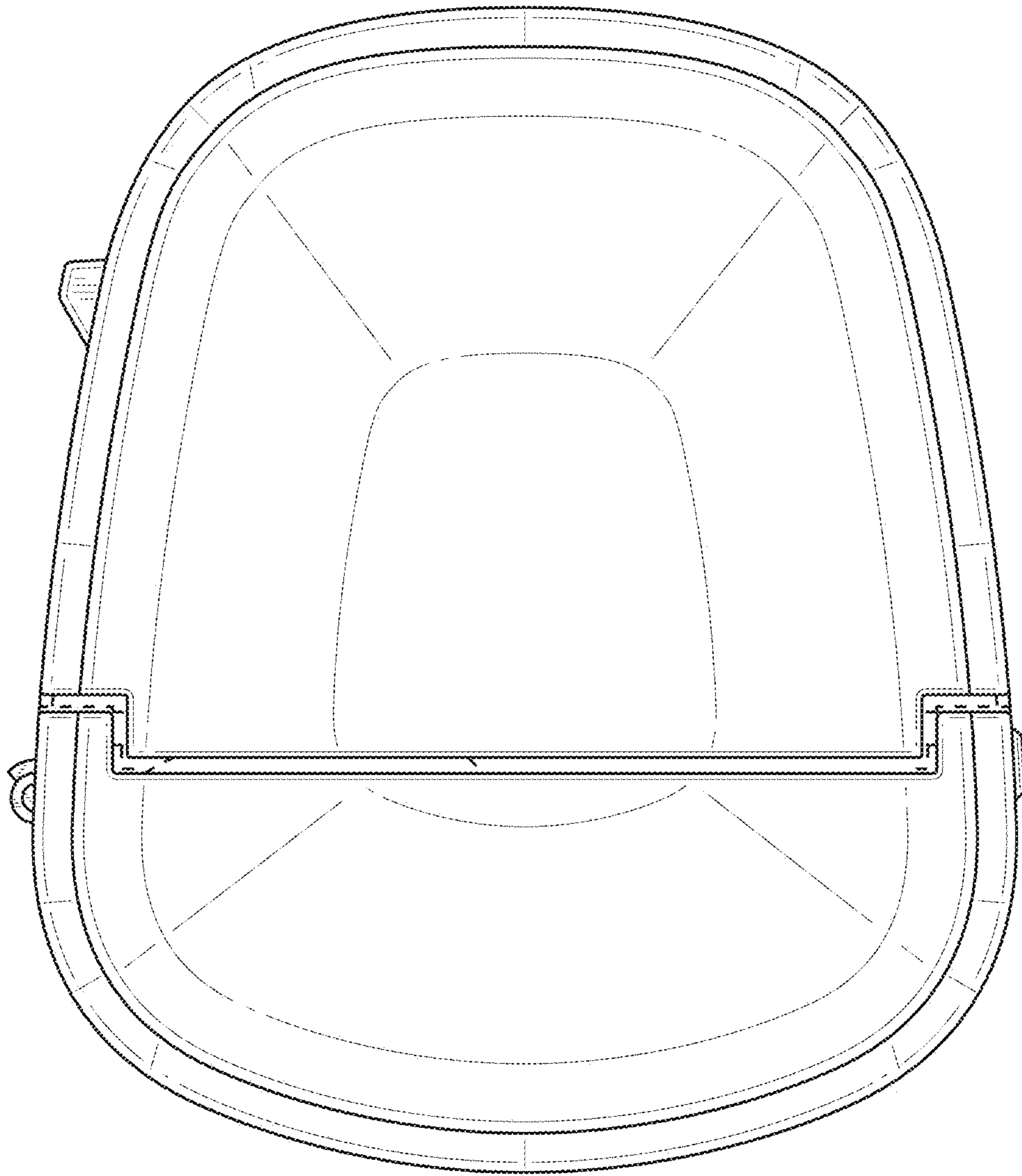


FIG. 6

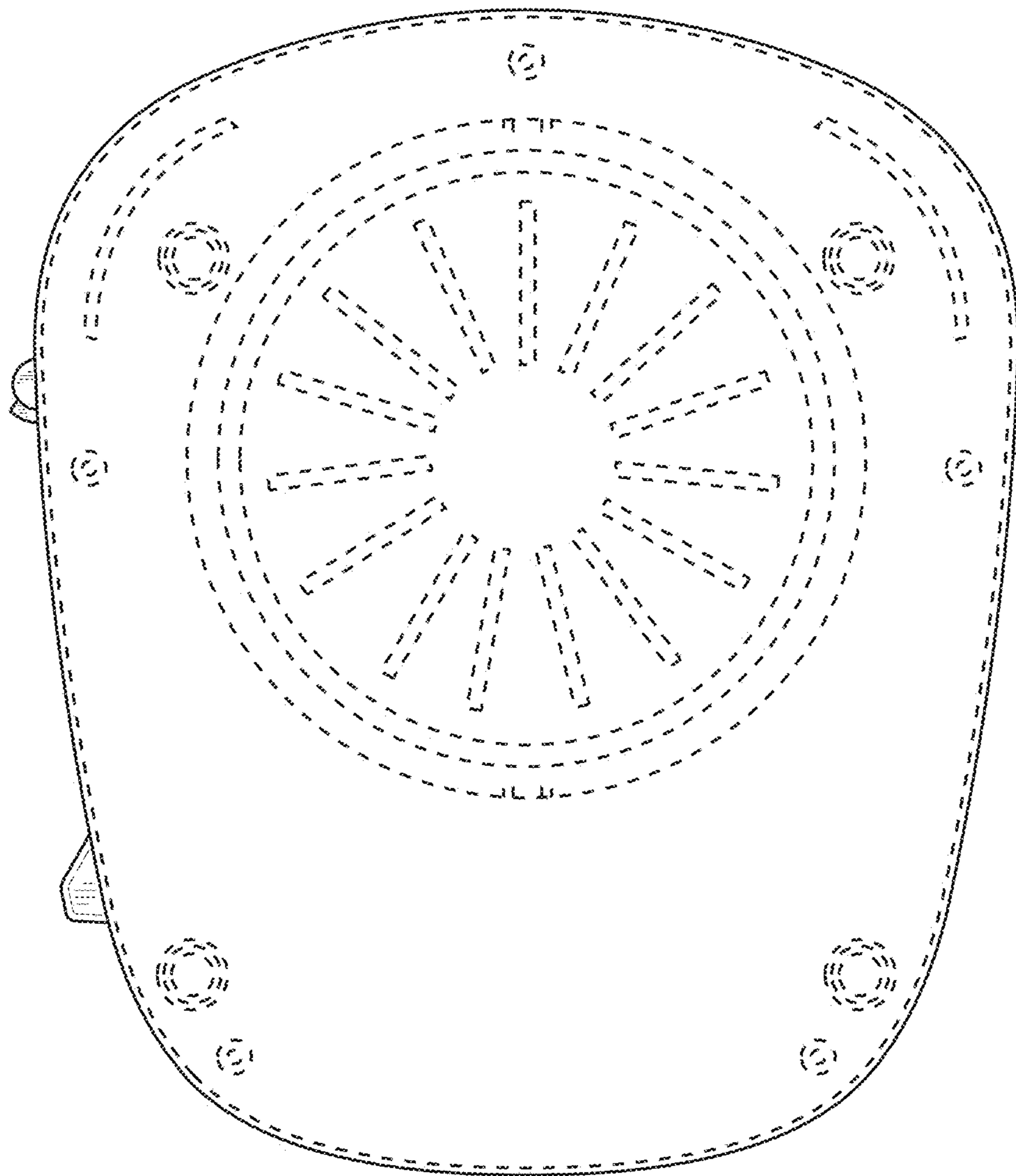


FIG. 7