



US00D885105S

(12) **United States Design Patent**
Guelfo

(10) **Patent No.:** **US D885,105 S**

(45) **Date of Patent:** **** May 26, 2020**

(54) **CHAIR**

(71) Applicant: **Okamura Corporation**, Yokohama-shi,
Kanagawa (JP)

(72) Inventor: **Nicola Guelfo**, Moncalieri Turin (IT)

(73) Assignee: **Okamura Corporation**, Yokohama-shi,
Kanagawa (JP)

(**) Term: **15 Years**

(21) Appl. No.: **29/684,220**

(22) Filed: **Mar. 19, 2019**

(30) **Foreign Application Priority Data**

Sep. 20, 2018 (JP) 2018-020486

(51) **LOC (12) Cl.** **06-01**

(52) **U.S. Cl.**
USPC **D6/716.7; D6/366**

(58) **Field of Classification Search**
USPC D6/334-336, 366, 367, 374, 375, 379,
D6/380, 716, 716.1, 716.2, 716.3, 716.4,
D6/716.7

CPC .. A47C 1/04; A47C 1/022; A47C 1/06; A47C
1/031; A47C 3/20; A47C 7/004; A47C
7/50; B60N 2/02; B60N 2/022

See application file for complete search history.

(56) **References Cited**

U.S. PATENT DOCUMENTS

D450,956 S * 11/2001 Asbjørnsen D6/716.7
D450,957 S * 11/2001 Asbjørnsen D6/716.7

D549,016 S * 8/2007 Donati D6/716.7
D550,990 S * 9/2007 Donati D6/716.7
D550,991 S * 9/2007 Donati D6/716.7
D573,815 S * 7/2008 Matern D6/716.7
D578,326 S * 10/2008 Donati D6/716.7
D670,927 S * 11/2012 Hurford D6/366
D688,483 S * 8/2013 Aratani D6/366

* cited by examiner

Primary Examiner — Mimoso De

(74) *Attorney, Agent, or Firm* — Sughrue Mion, PLLC

(57) **CLAIM**

The ornamental design for a chair, as shown and described.

DESCRIPTION

FIG. 1 is a front perspective view of a chair showing my design;

FIG. 2 is a rear perspective view thereof;

FIG. 3 is a front elevation view thereof;

FIG. 4 is a rear elevation view thereof;

FIG. 5 is a left side elevation view thereof;

FIG. 6 is a right side elevation view thereof;

FIG. 7 is a top plan view thereof; and,

FIG. 8 is a bottom plan view thereof.

The broken lines shown in the drawings illustrate portions that form no part of the claimed design.

The one-dot broken lines in FIG. 7 illustrate a boundary of the claimed design, and form no part of claimed design.

The backrest sheet and the seat of the chair are made of mesh and the mesh pattern of the backrest sheet forms no part of the claimed design.

1 Claim, 8 Drawing Sheets

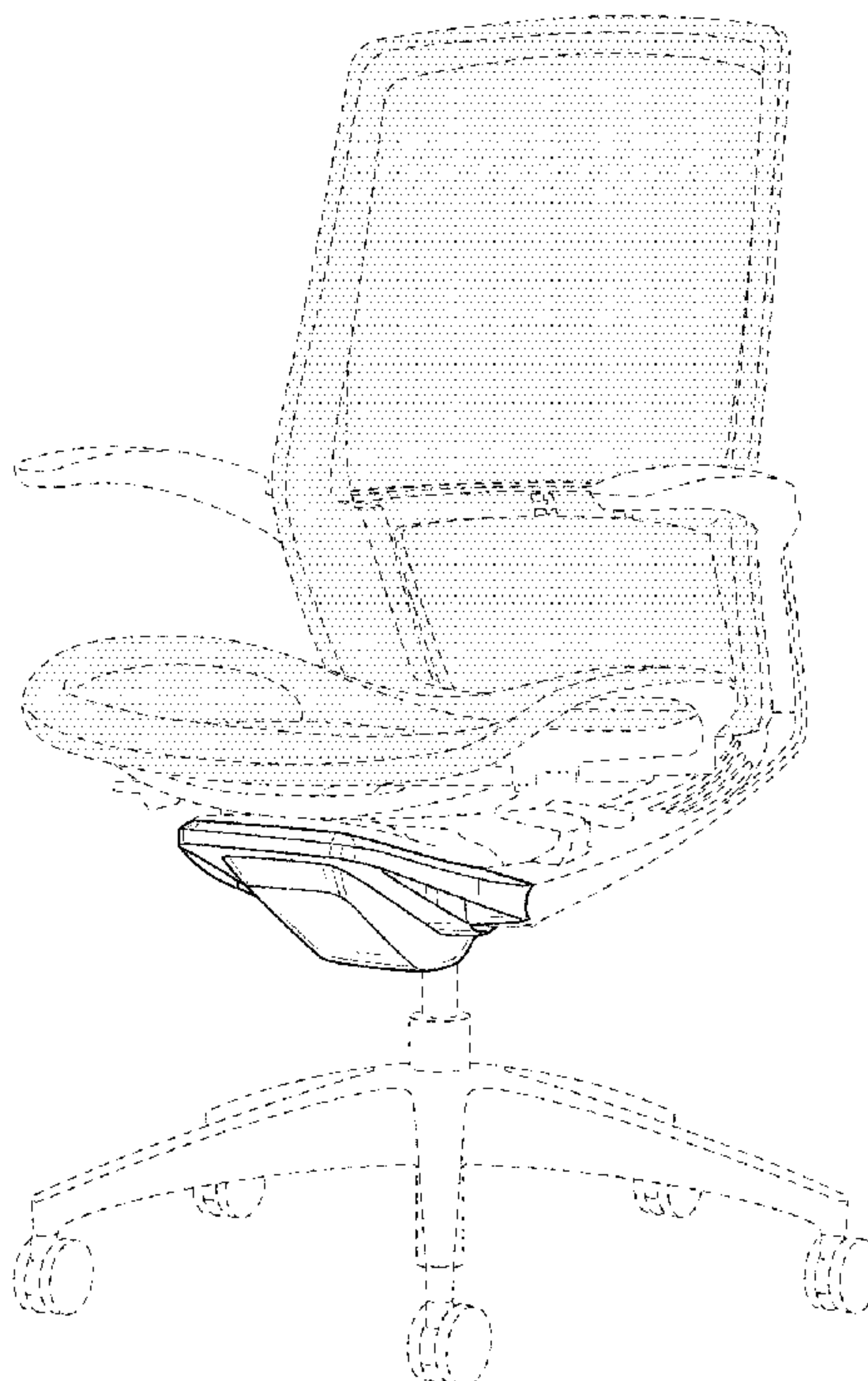


FIG. 1

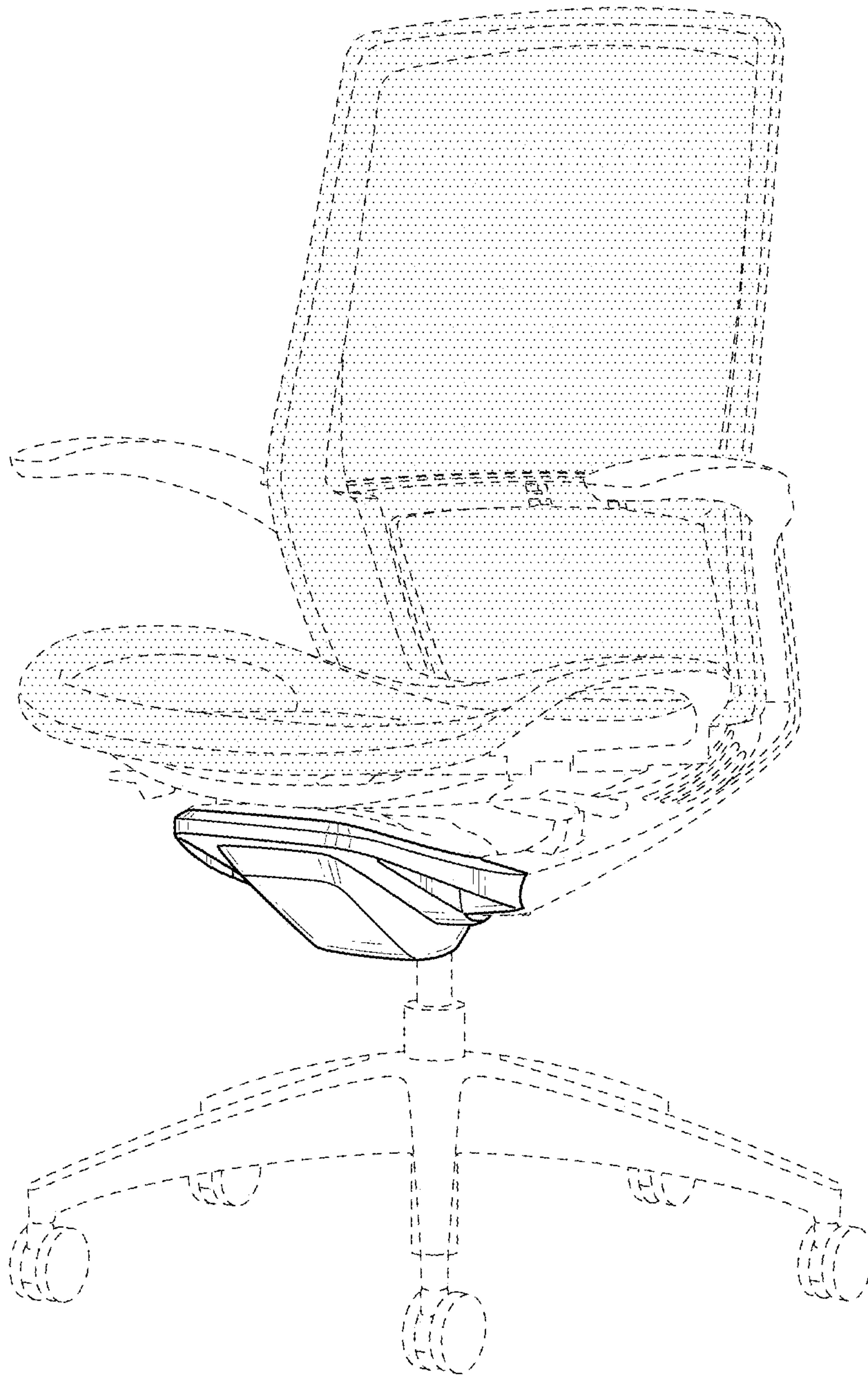


FIG. 2

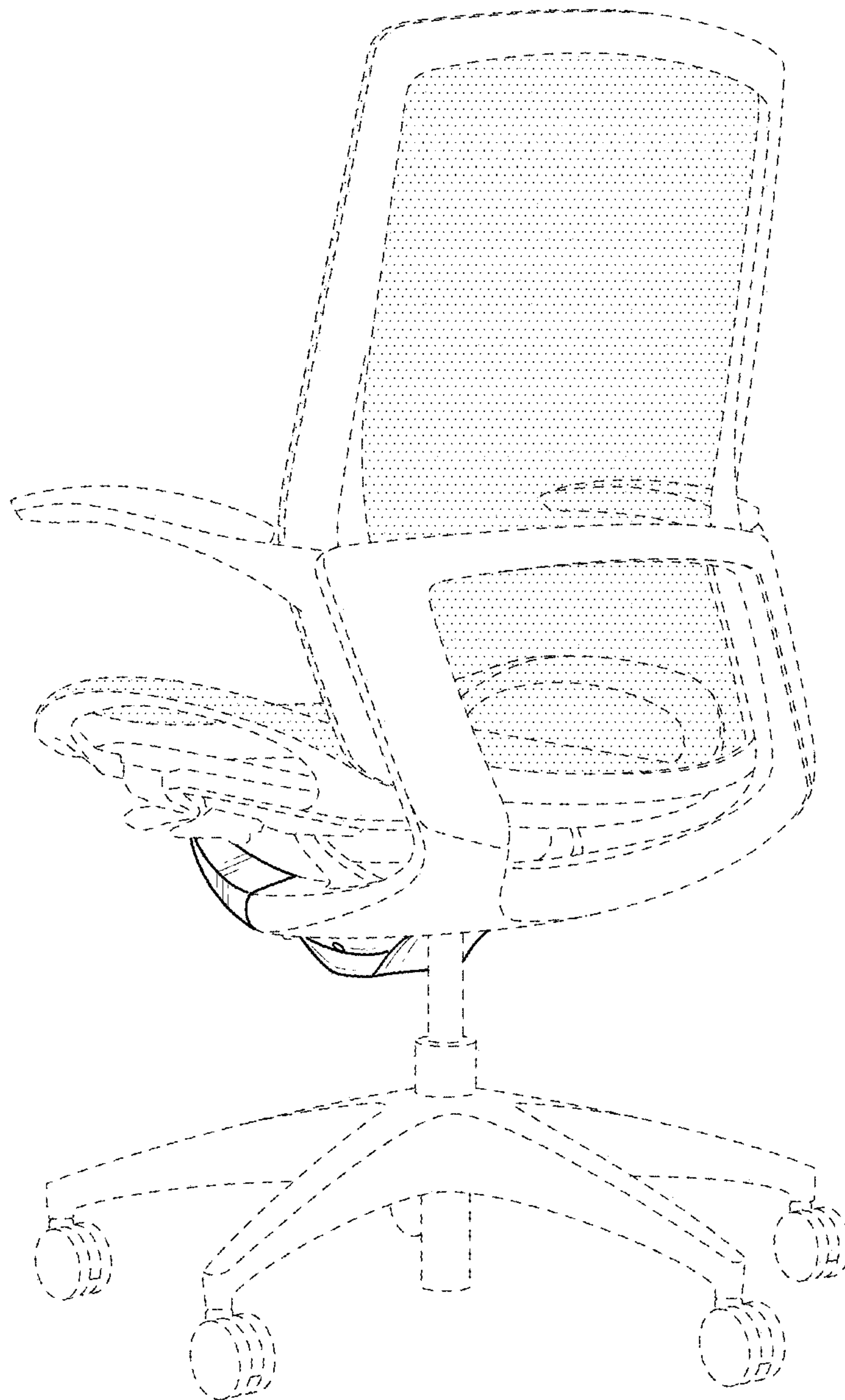


FIG. 3

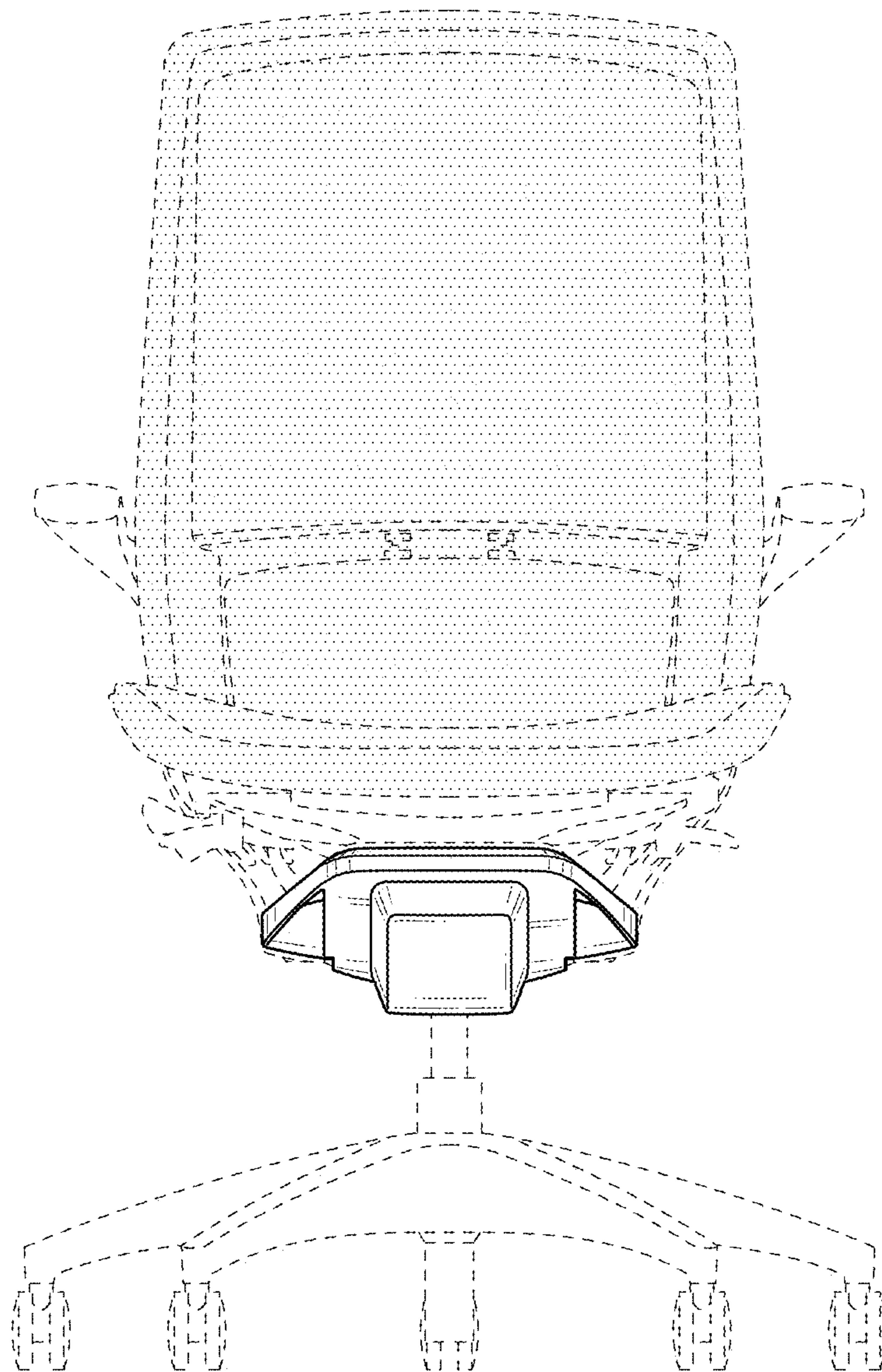


FIG. 4

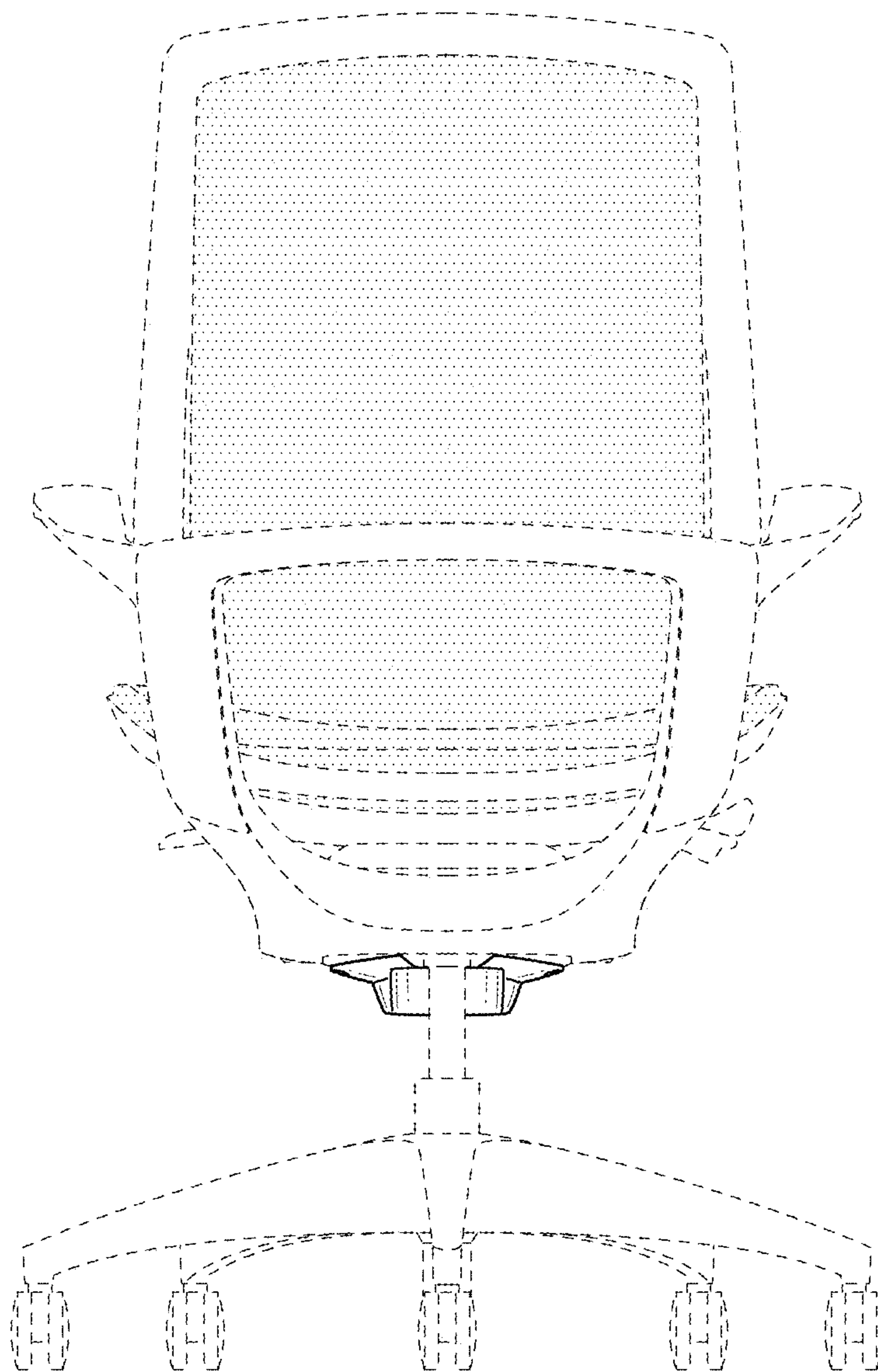


FIG. 5

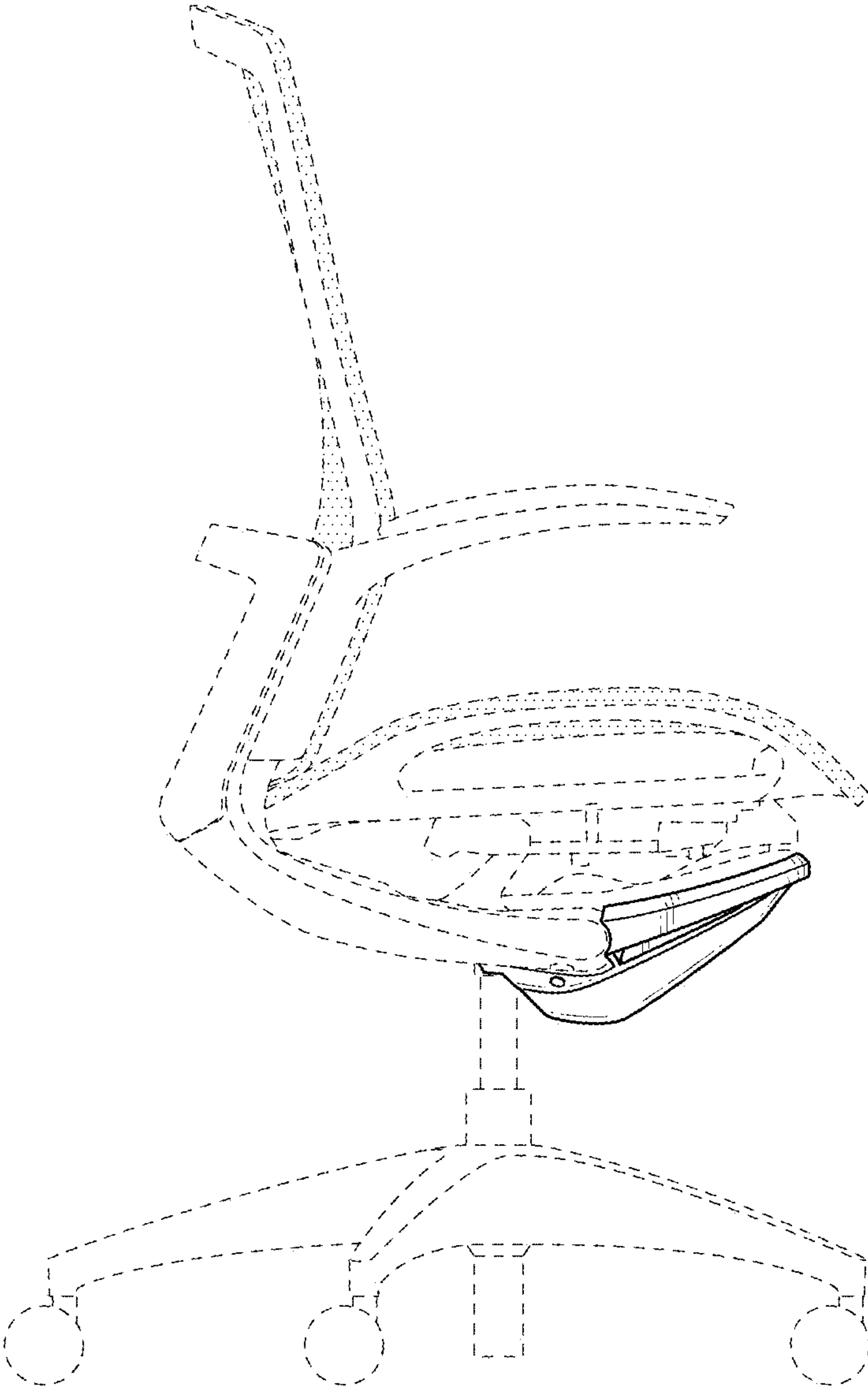


FIG. 6

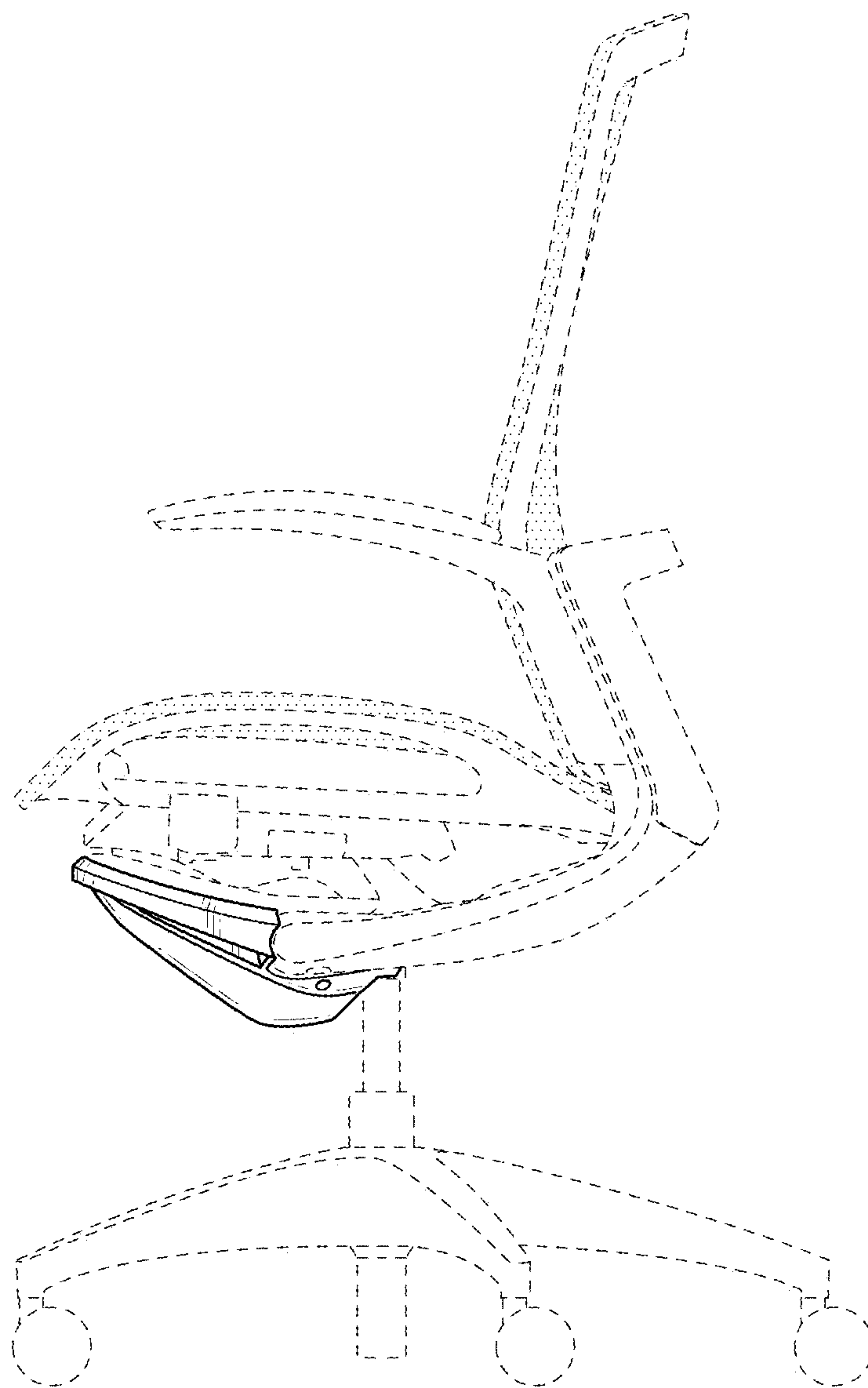


FIG. 7

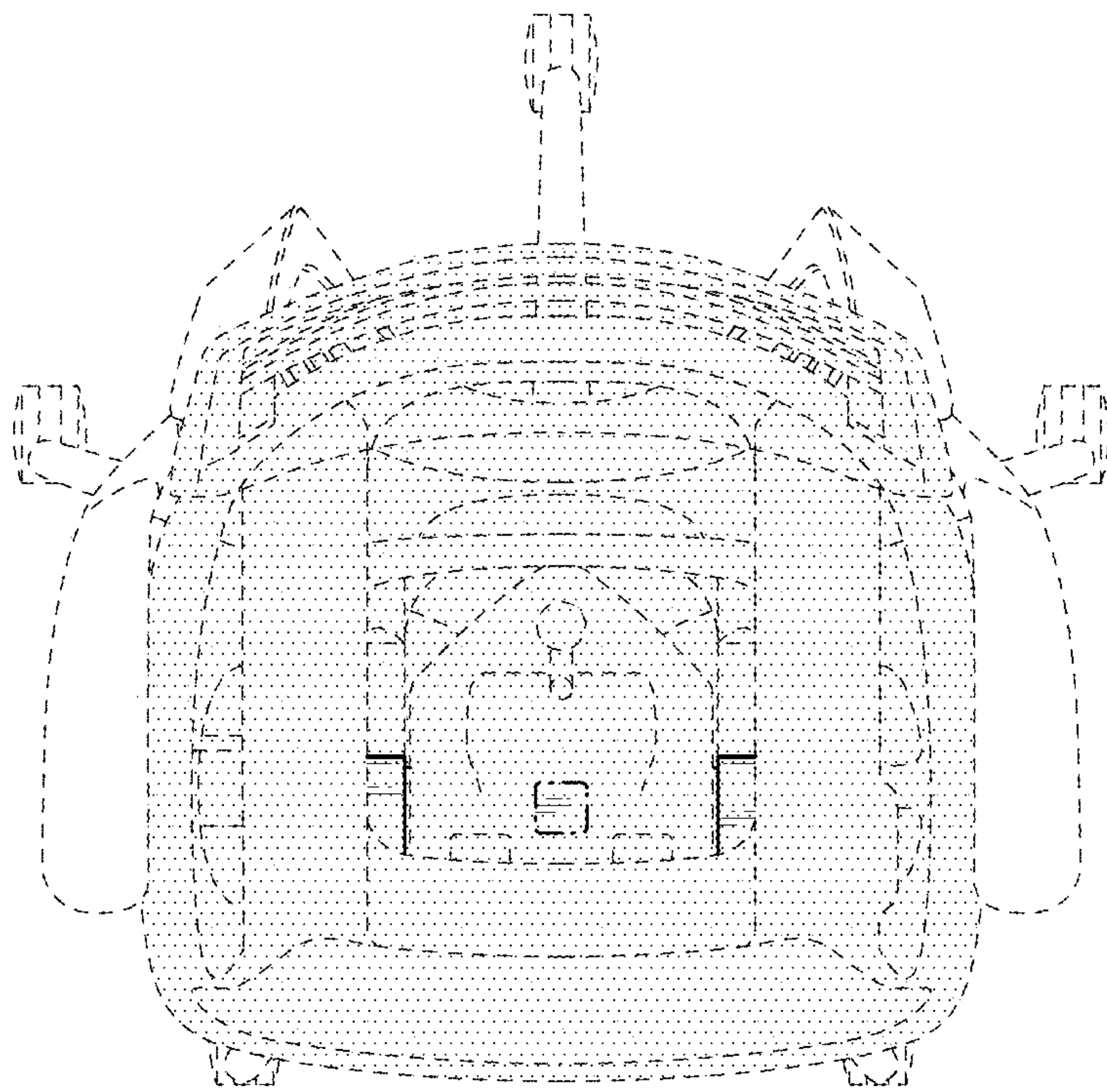


FIG. 8

