



US00D885101S

(12) **United States Design Patent** (10) **Patent No.:** **US D885,101 S**
Kumazawa (45) **Date of Patent:** **** May 26, 2020**

- (54) **CHAIR** D390,024 S 2/1998 DeJule
- D516,830 S * 3/2006 Leist A47C 3/04 D6/373
- (71) Applicant: **AICHI CO., LTD.**, Nagoya-shi, Aichi (JP) D569,644 S 5/2008 Kumazawa
- D592,873 S 5/2009 Olano Jauregui
- (72) Inventor: **Taku Kumazawa**, Nagoya (JP) D597,757 S 8/2009 Barbieri
- D600,465 S 9/2009 Kumazawa
- (73) Assignee: **AICHI CO., LTD.**, Nagoya-Shi, Aichi-Ken (JP) D609,488 S 2/2010 Kumazawa

(**) Term: **15 Years**

(21) Appl. No.: **29/660,248**

(22) Filed: **Aug. 20, 2018**

Related U.S. Application Data

(62) Division of application No. 35/503,377, filed on Jan. 20, 2017 (U.S. filing date under 35 U.S.C. 384), and having an international filing date of Jan. 20, 2017, now Pat. No. Des. 853,143.

(30) **Foreign Application Priority Data**

Sep. 30, 2016 (JP) 2016-021185

(51) **LOC (12) Cl.** **06-01**

(52) **U.S. Cl.**
USPC **D6/716**

(58) **Field of Classification Search**

USPC D6/334, 368, 374, 379, 380, 716, 716.1, D6/716.2

CPC A47C 3/00; A47C 3/12; A47C 4/02; A47C 4/02; A47C 5/00; A47C 7/00; A47C 7/02; A47C 7/36

See application file for complete search history.

(56) **References Cited**

U.S. PATENT DOCUMENTS

3,365,233 A 1/1968 Uyeda et al.
D269,831 S 7/1983 Crone

OTHER PUBLICATIONS

Restriction Requirement for U.S. Appl. No. 35/503,377, dated Jun. 19, 2018, 6 pages.

(Continued)

Primary Examiner — Mary Ann Calabrese

(74) *Attorney, Agent, or Firm* — Withrow & Terranova, P.L.L.C.; Vincent K. Gustafson

(57) **CLAIM**

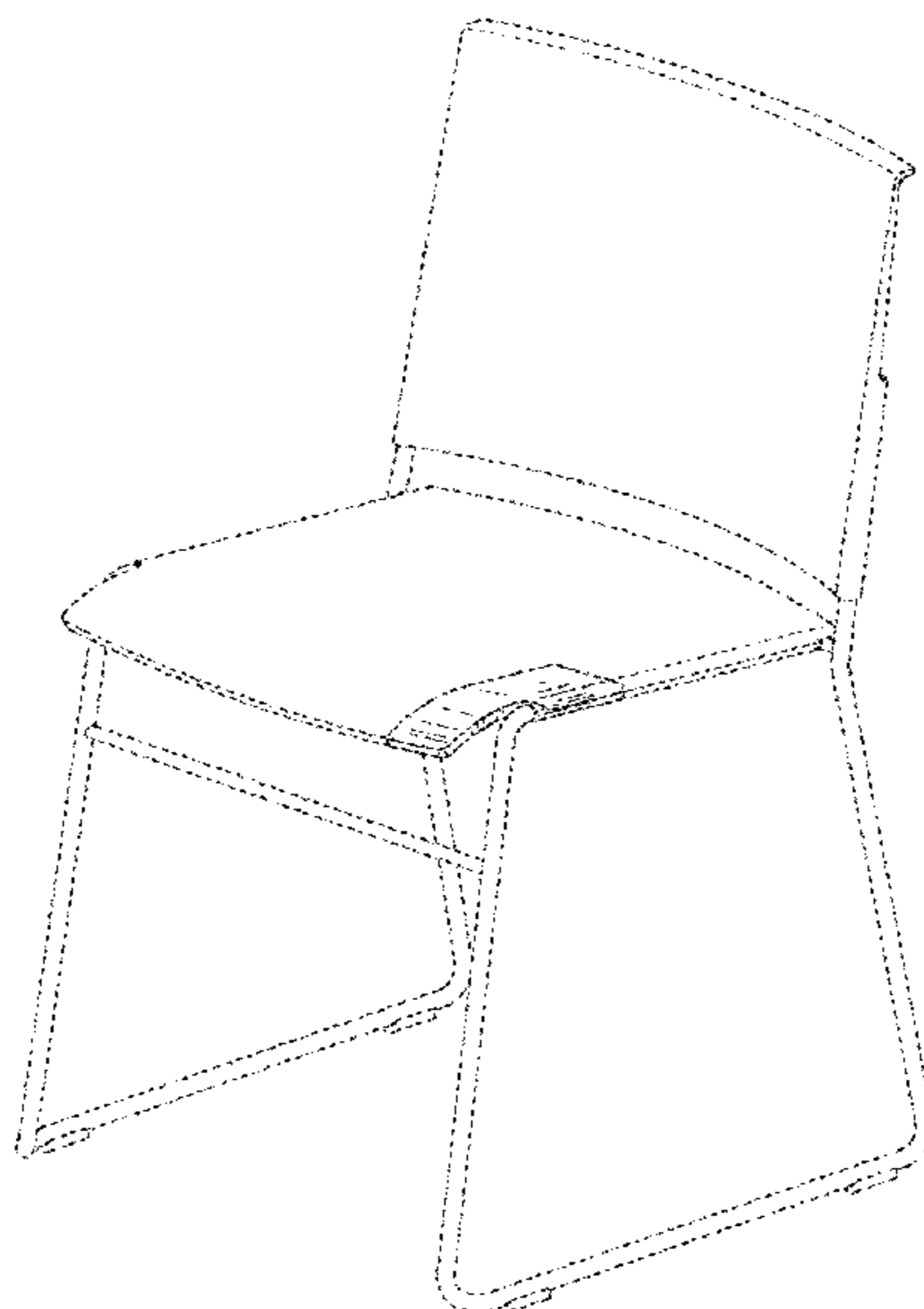
The ornamental design for a chair, as shown and described.

DESCRIPTION

FIG. 1 is a perspective view of a chair showing my design; FIG. 2 is a front elevational view of the chair; FIG. 3 is a rear elevational view of the chair; FIG. 4 is a right side elevational view of the chair; FIG. 5 is a left side elevational view of the chair; FIG. 6 is a top plan view of the chair; FIG. 7 is a bottom plan view of the chair; FIG. 8 is a cross-sectional view of the chair taken in the direction of line 8-8 shown in FIG. 6; and, FIG. 9 is an enlarged fragmentary view of the left end of FIG. 8.

In the drawings, the dash-dash broken lines show portions of the chair that form no part of the claimed design. The dot-dash-dot broken lines represent the boundaries of the claim and form no part thereof.

1 Claim, 7 Drawing Sheets



(56)

References Cited

U.S. PATENT DOCUMENTS

D617,568 S 6/2010 Kumazawa
D648,150 S * 11/2011 Kumazawa D6/373
D668,072 S 10/2012 Kumazawa
9,161,629 B2 * 10/2015 Huang A47C 3/04
9,872,567 B2 * 1/2018 Kumazawa A47C 3/045
D852,554 S * 7/2019 Geelen A47C 7/28
D6/673
D853,143 S * 7/2019 Kumazawa D6/373
2008/0106136 A1 * 5/2008 Heidmann A47C 7/28
297/452.56
2015/0015051 A1 * 1/2015 Huang A47C 3/04
297/445.1
2017/0164745 A1 * 6/2017 Huang A47C 3/00

OTHER PUBLICATIONS

Notice of Allowance for U.S. Appl. No. 35/503,377, dated Oct. 26, 2018, 9 pages.

* cited by examiner

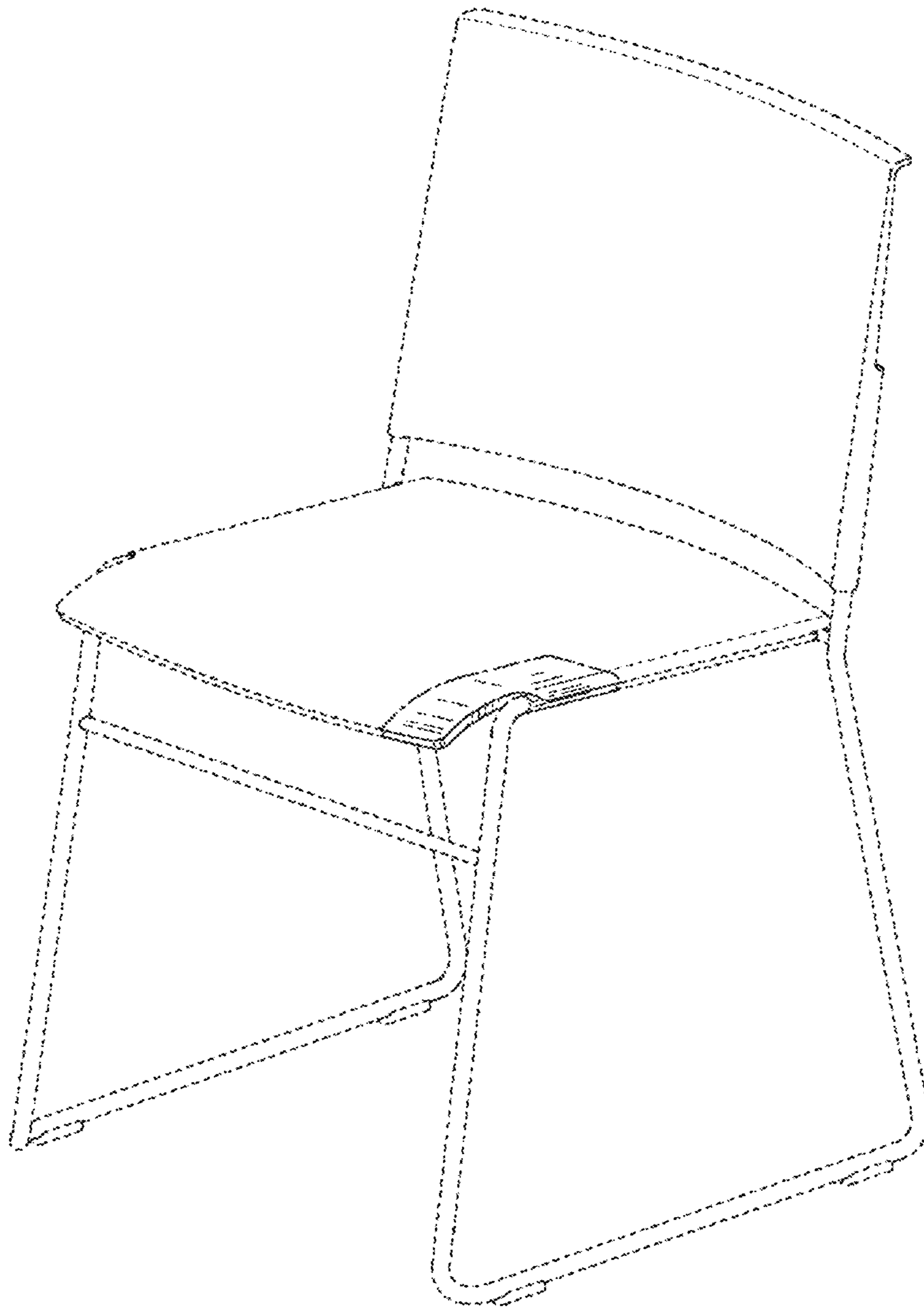


FIG. 1

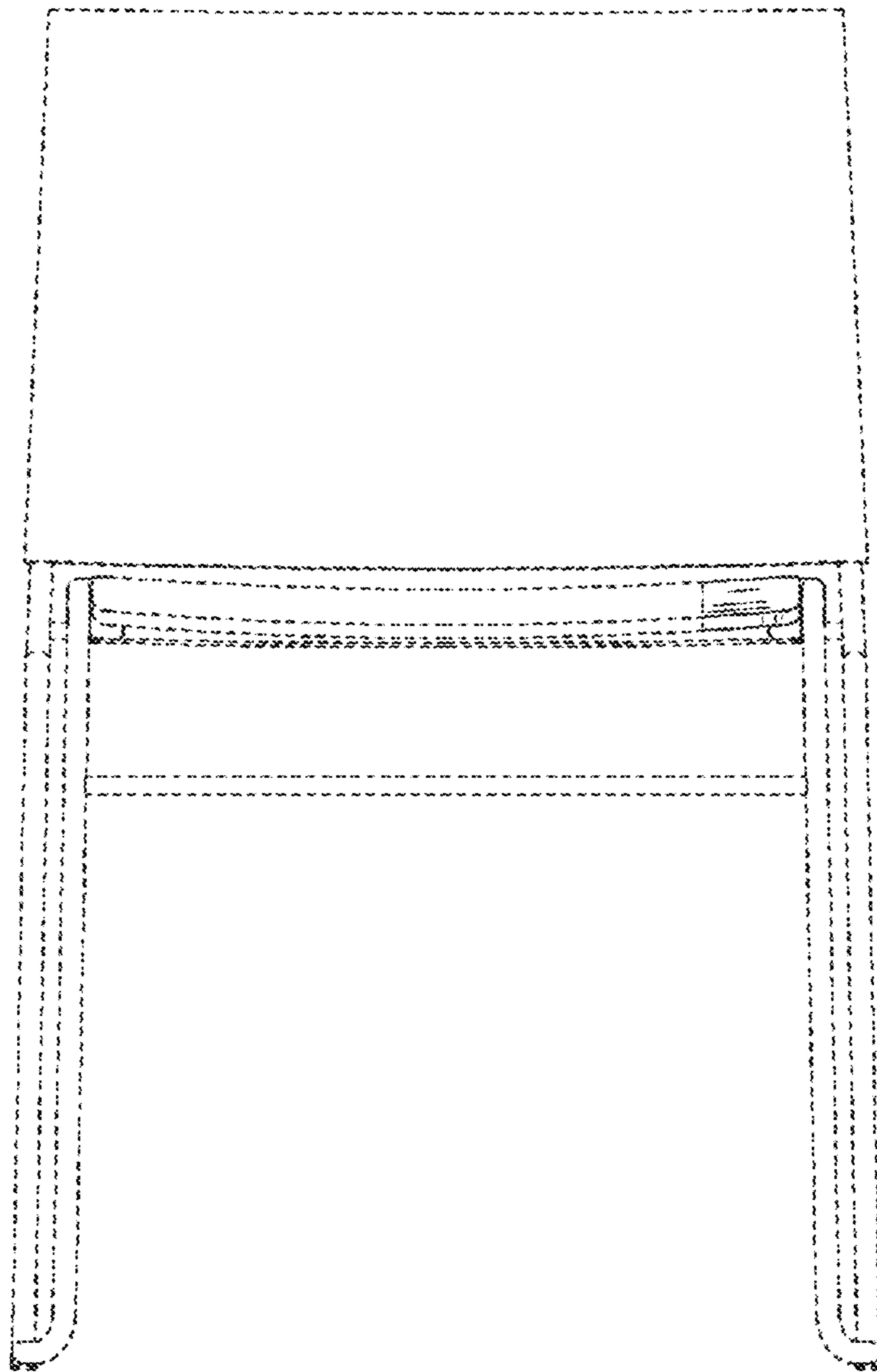


FIG. 2

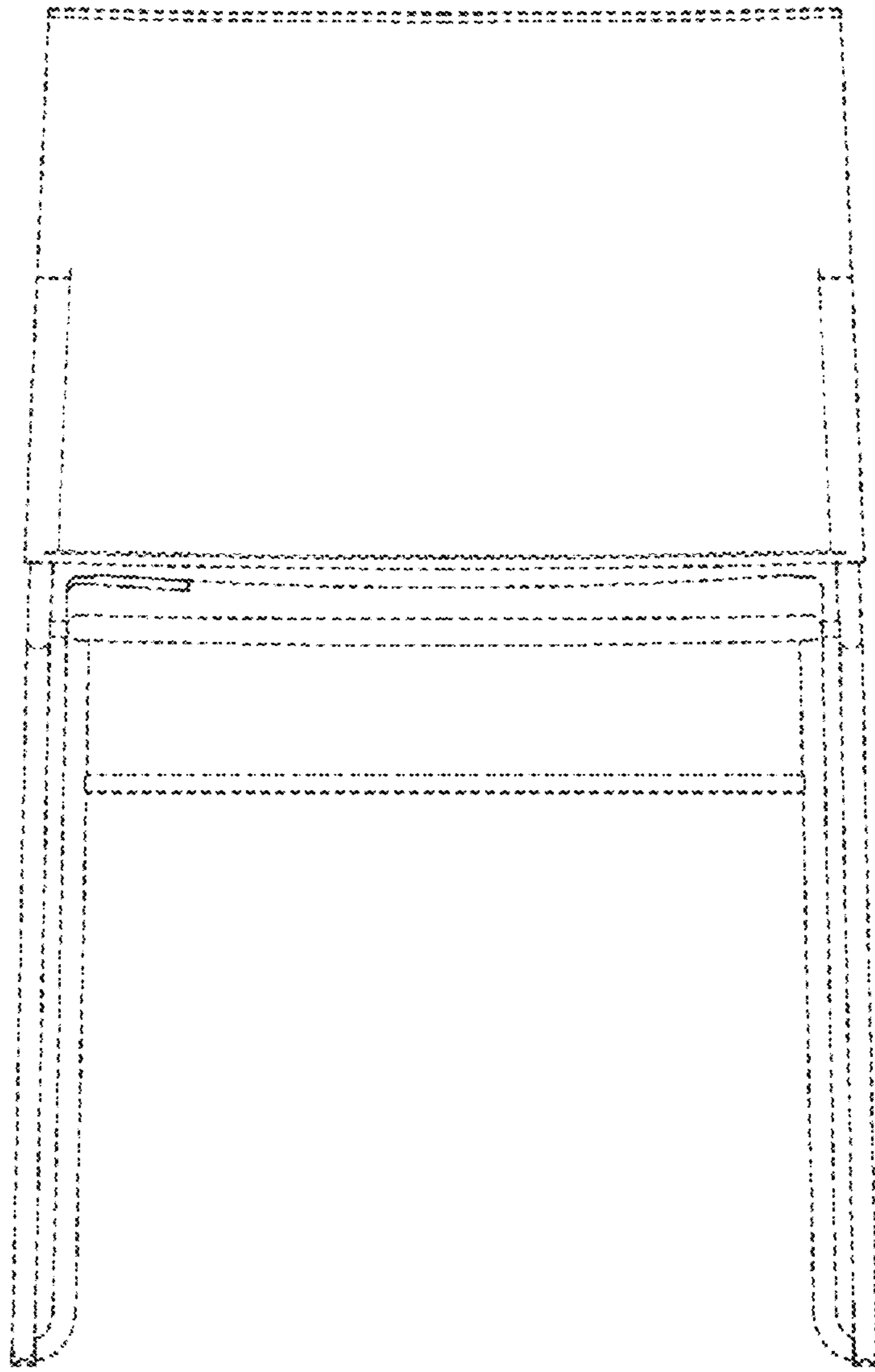


FIG. 3

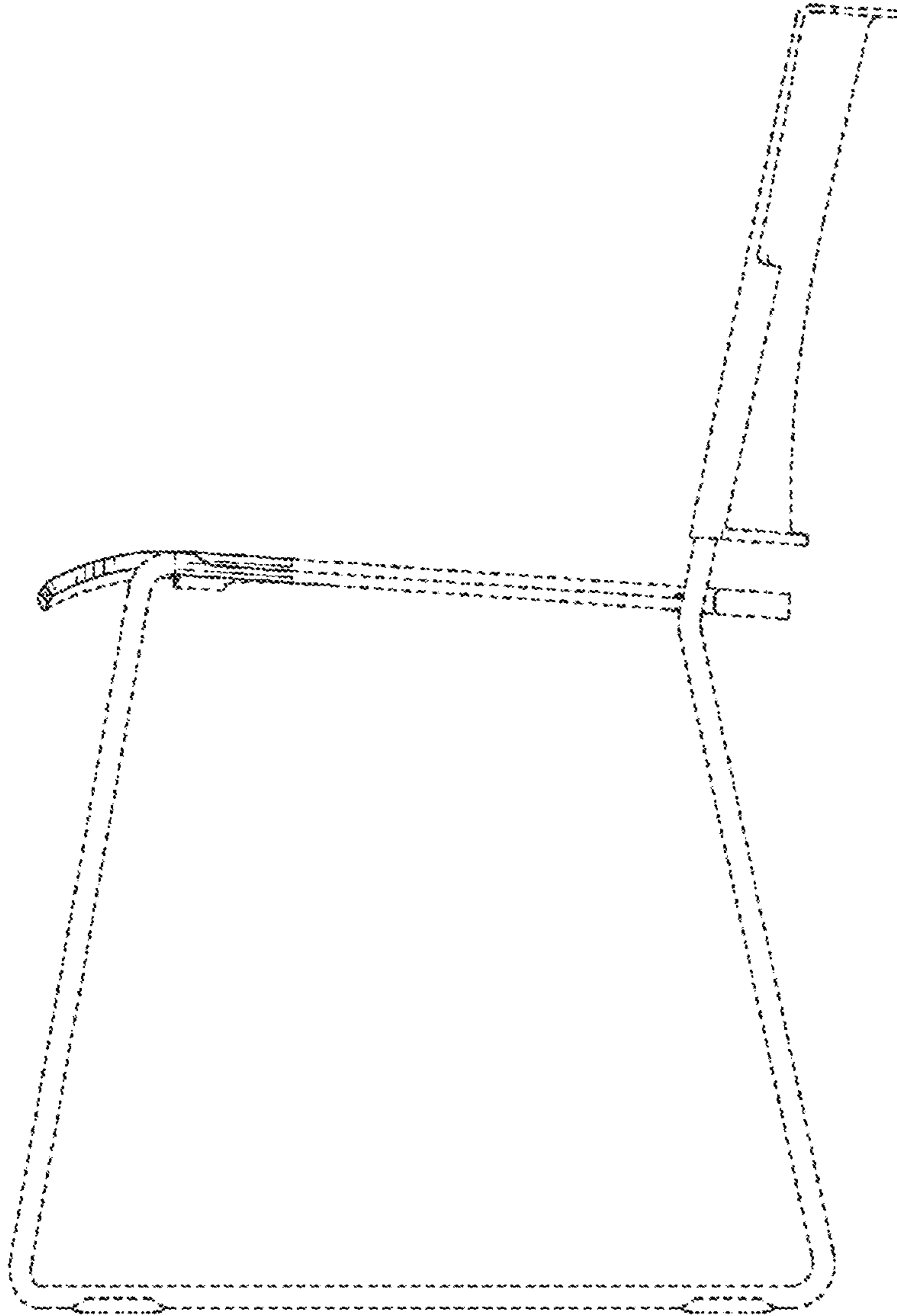


FIG. 4

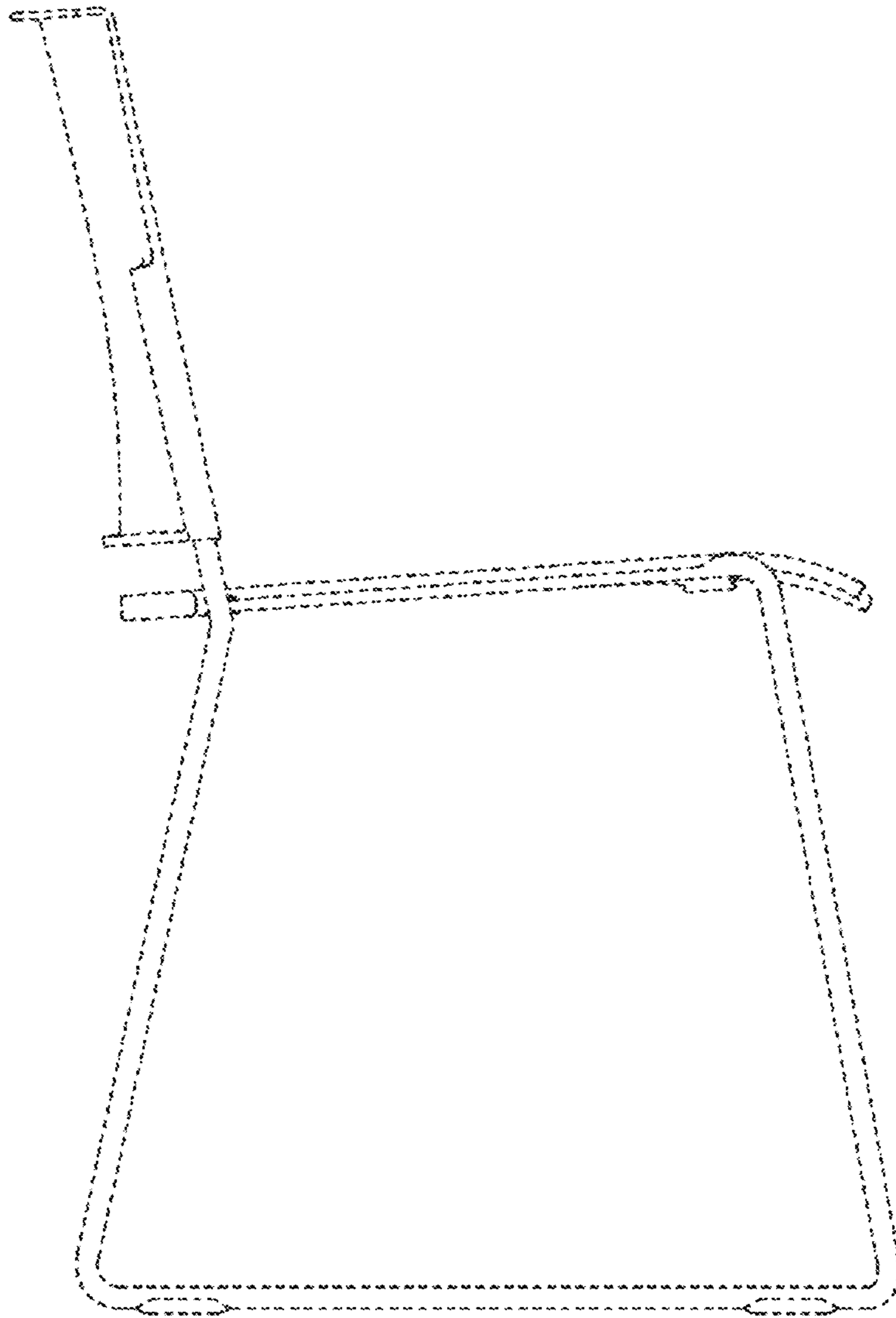


FIG. 5

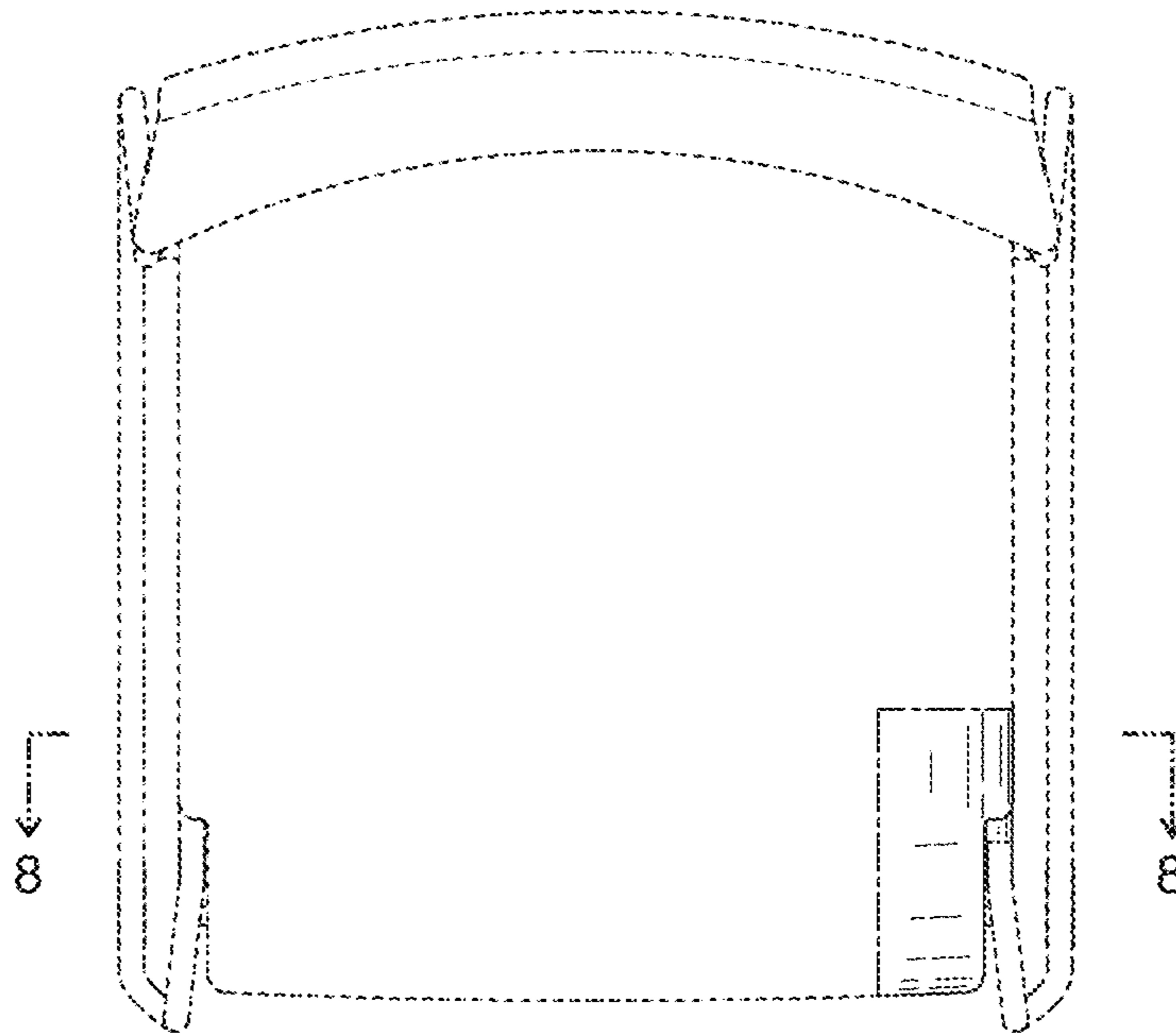


FIG. 6

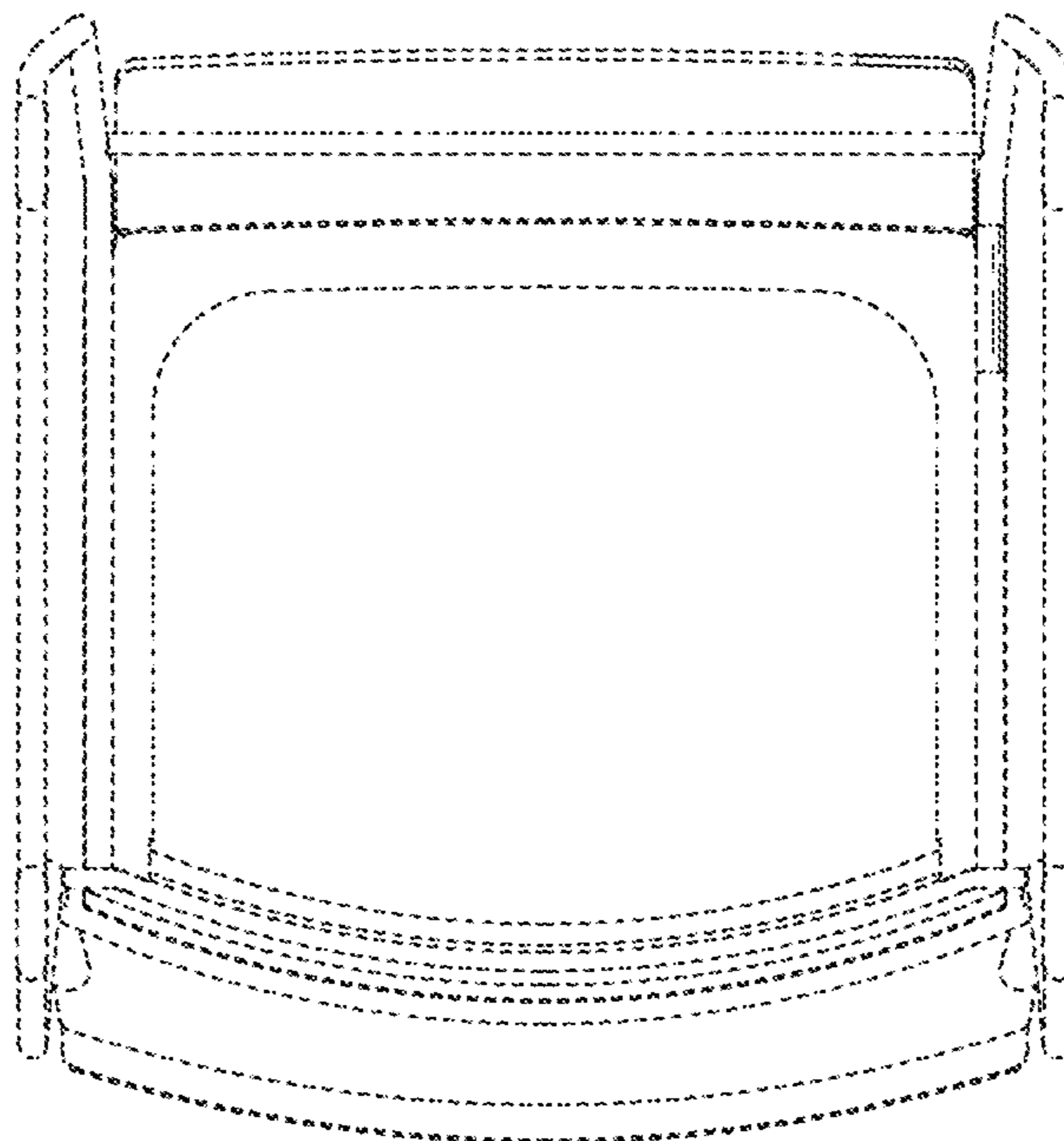


FIG. 7

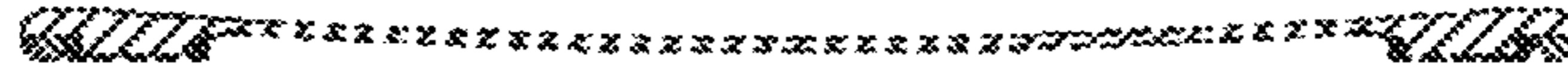


FIG. 8

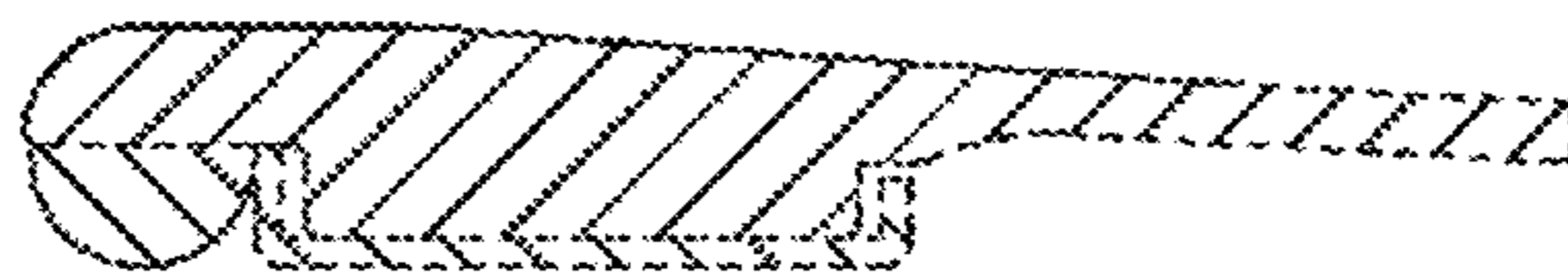


FIG. 9