



US00D885100S

(12) **United States Design Patent** (10) **Patent No.:** **US D885,100 S**  
**Kumazawa** (45) **Date of Patent:** **\*\* May 26, 2020**

- (54) **CHAIR** D390,024 S 2/1998 DeJule
- D516,830 S \* 3/2006 Leist ..... A47C 3/04 D6/373
- (71) Applicant: **AICHI CO., LTD.**, Nagoya-shi, Aichi (JP) D569,644 S 5/2008 Kumazawa
- D592,873 S 5/2009 Olano Jauregui
- (72) Inventor: **Taku Kumazawa**, Nagoya (JP) D597,757 S 8/2009 Barbieri
- D600,465 S 9/2009 Kumazawa
- (73) Assignee: **AICHI CO., LTD.**, Nagoya-Shi, Aichi-Ken (JP) D609,488 S 2/2010 Kumazawa

(Continued)

- (\*\*) Term: **15 Years**
- (21) Appl. No.: **29/660,239**
- (22) Filed: **Aug. 20, 2018**

**Related U.S. Application Data**

- (62) Division of application No. 35/503,377, filed on Jan. 20, 2017 (U.S. filing date under 35 U.S.C. 384), and having an international filing date of Jan. 20, 2017, now Pat. No. Des. 853,143.

**Foreign Application Priority Data**

- (30) Sep. 30, 2016 (JP) ..... 2016-021176
- (51) **LOC (12) Cl.** ..... **06-01**
- (52) **U.S. Cl.** ..... **D6/716**
- USPC ..... **D6/716**
- (58) **Field of Classification Search**
- USPC .... D6/334, 368, 374, 379, 380, 716, 716.1, D6/716.2
- CPC .... A47C 3/00; A47C 3/12; A47C 4/02; A47C 4/02; A47C 5/00; A47C 7/00; A47C 7/02; A47C 7/36
- See application file for complete search history.

**References Cited**

**U.S. PATENT DOCUMENTS**

- 3,365,233 A 1/1968 Uyeda et al.
- D269,831 S 7/1983 Crone

**OTHER PUBLICATIONS**

Restriction Requirement for U.S. Appl. No. 35/503,377, dated Jun. 19, 2018, 6 pages.

(Continued)

*Primary Examiner* — Mary Ann Calabrese  
(74) *Attorney, Agent, or Firm* — Withrow & Terranova, P.L.L.C.; Vincent K. Gustafson

(57) **CLAIM**

The ornamental design for a chair, as shown and described.

**DESCRIPTION**

FIG. 1 is a first perspective view of a chair showing my design;

FIG. 2 is a second perspective view of the chair;

FIG. 3 is a front elevational view of the chair;

FIG. 4 is a rear elevational view of the chair;

FIG. 5 is a right side elevational view of the chair;

FIG. 6 is a top plan view of the chair;

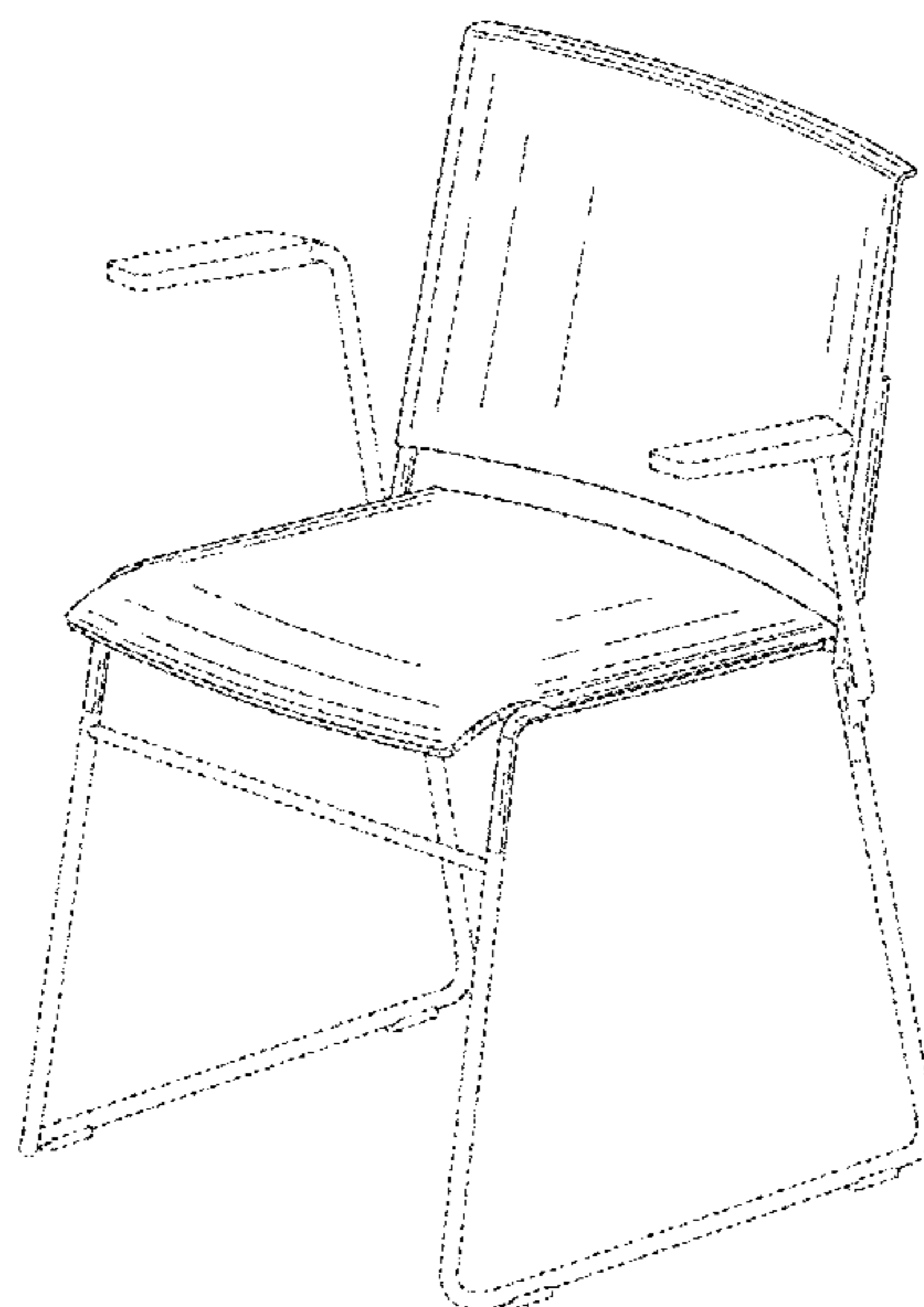
FIG. 7 is a bottom plan view of the chair; and,

FIG. 8 is a cross-sectional view of the chair taken in the direction of line 8-8 shown in FIG. 6.

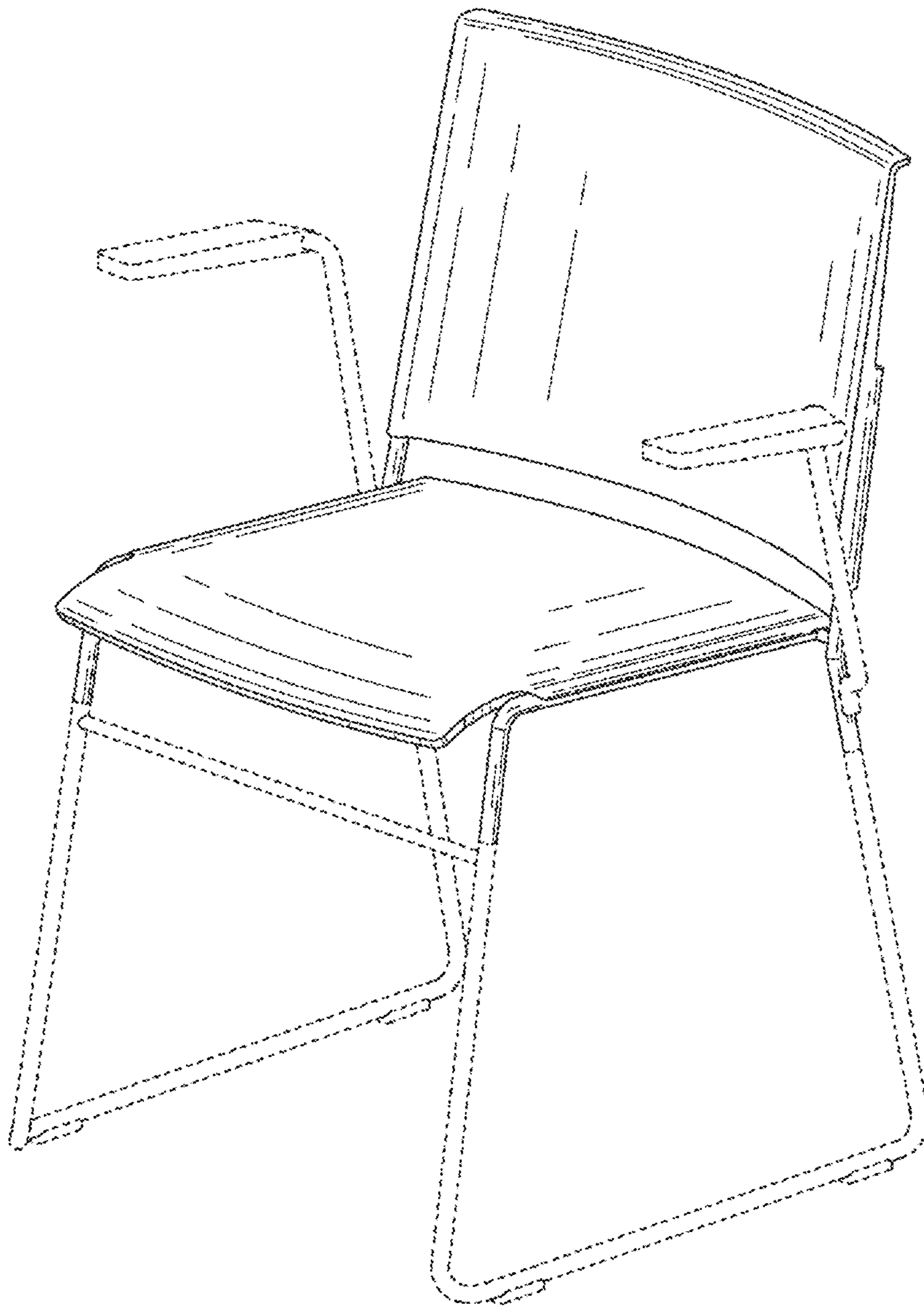
The left side elevational view is a mirror image of the right side elevational view.

In the drawings, the dash-dash broken lines show portions of the chair that form no part of the claimed design. The dot-dash-dot broken lines represent the boundaries of the claim and form no part thereof.

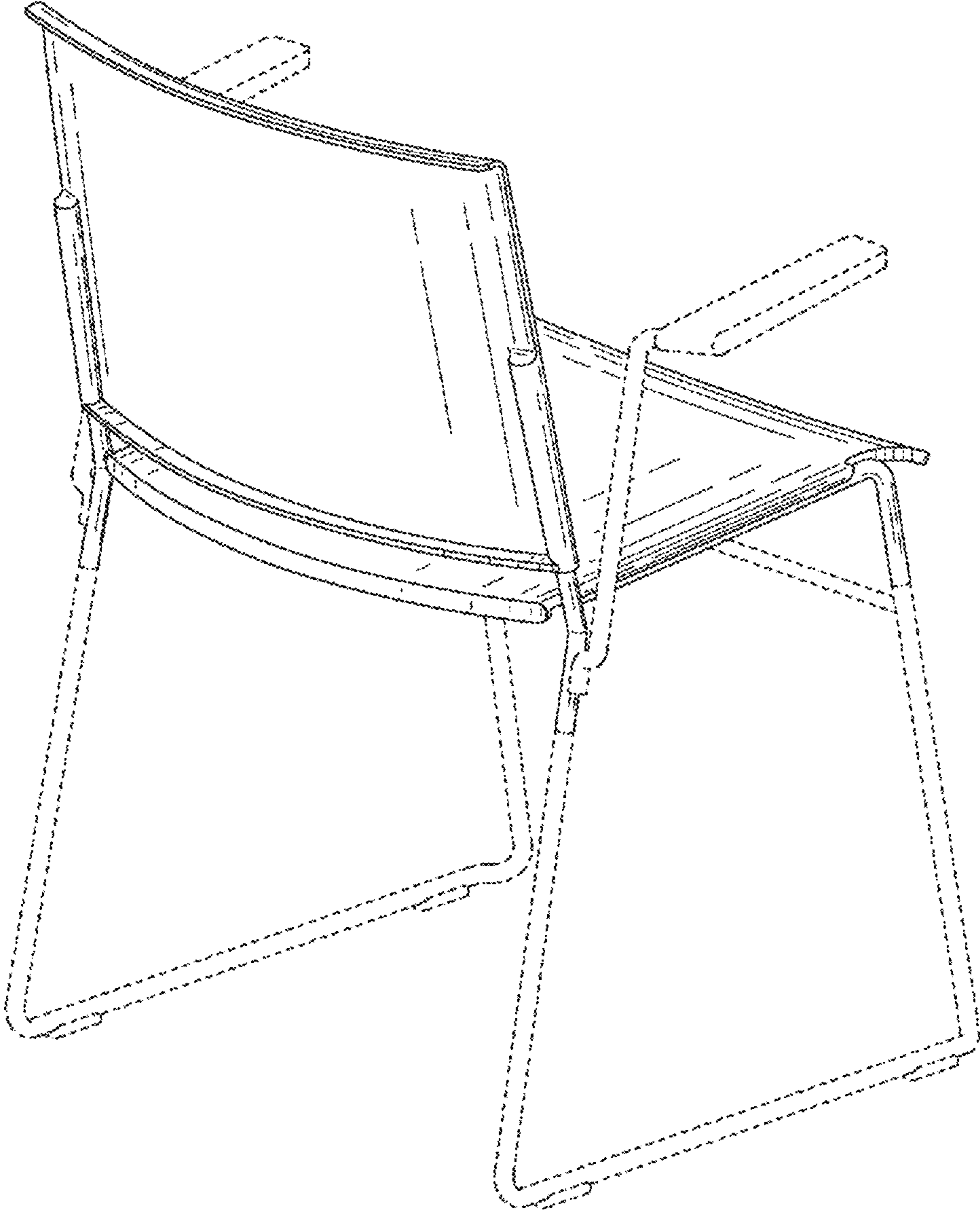
**1 Claim, 7 Drawing Sheets**



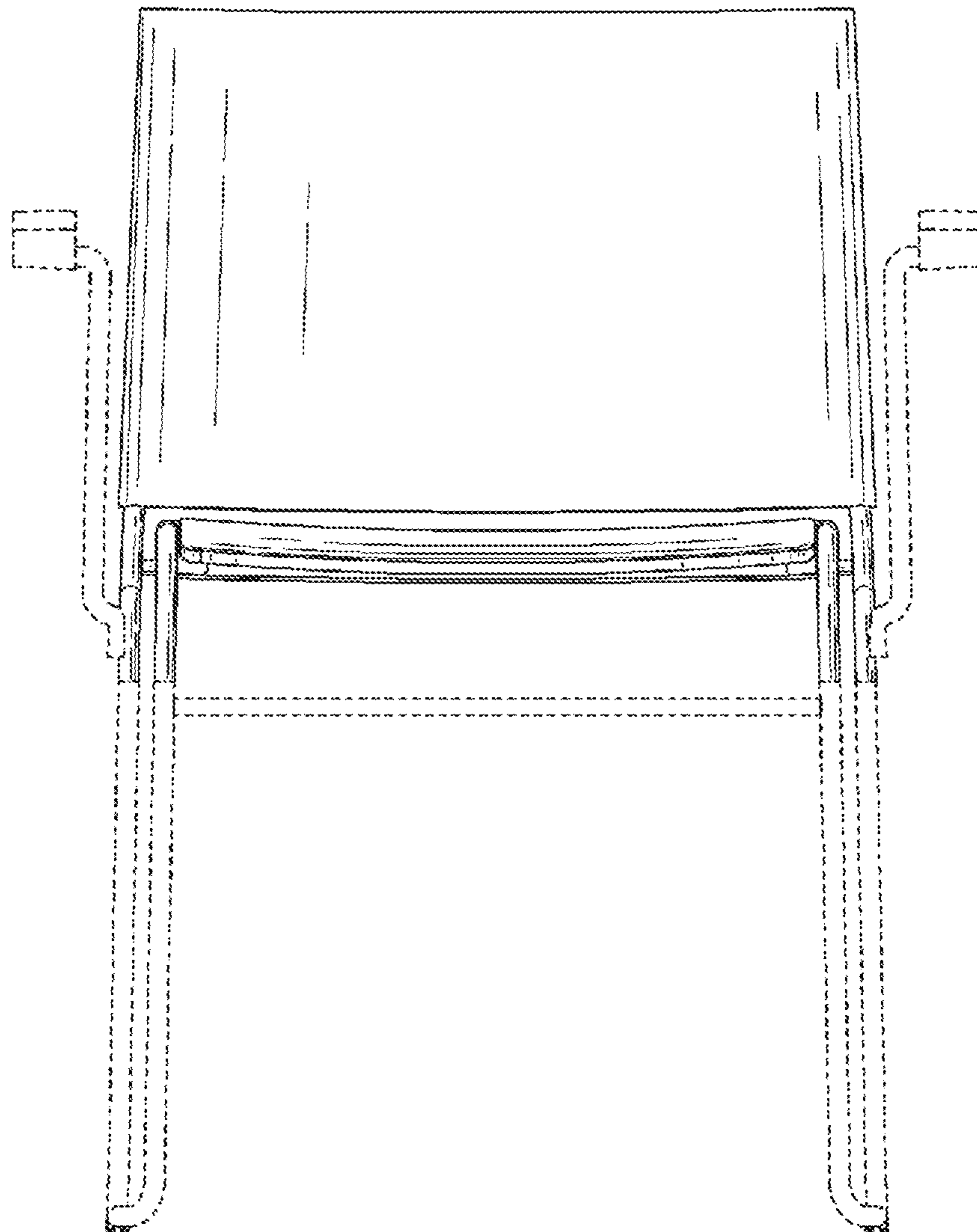




**FIG. 1**

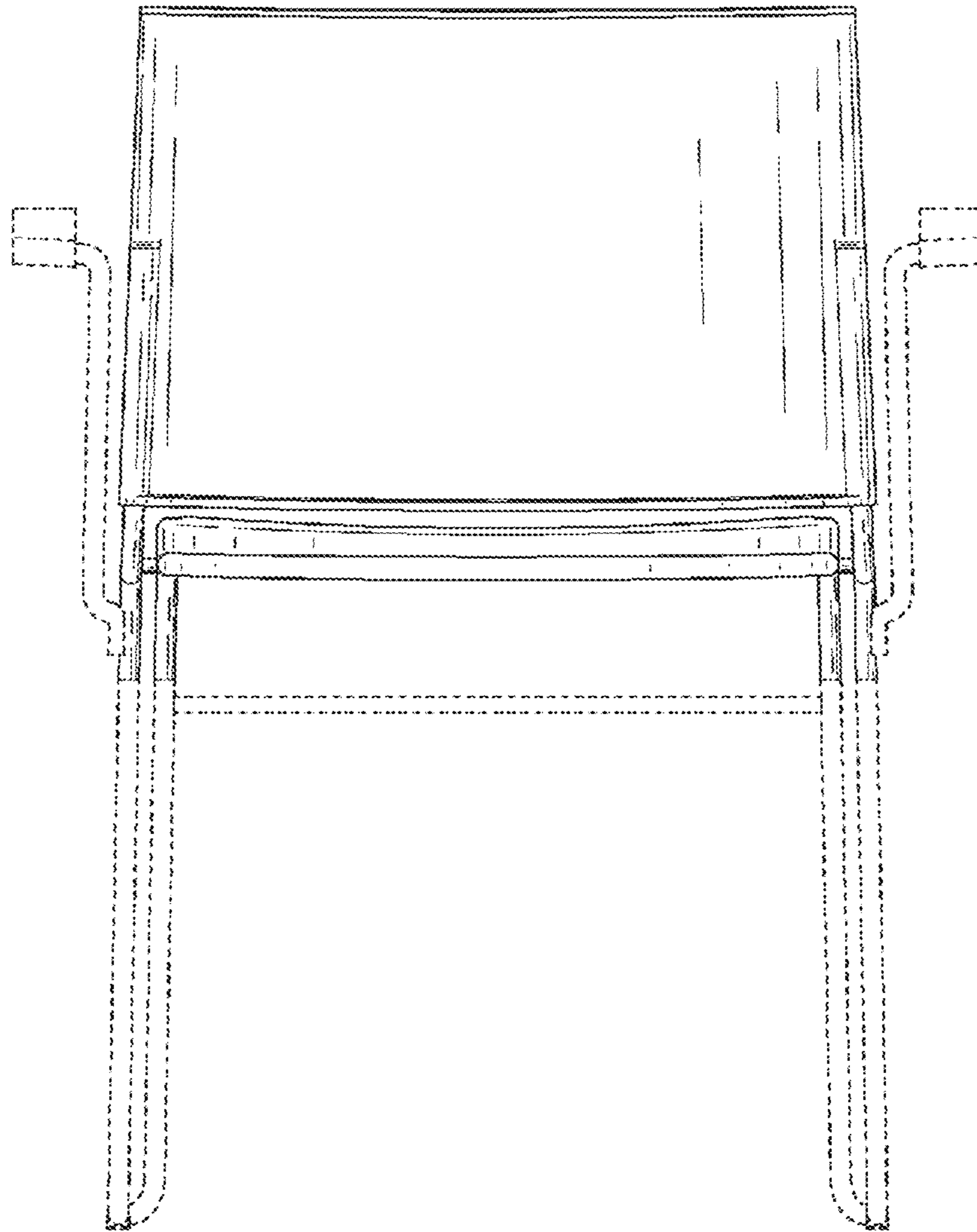


**FIG. 2**

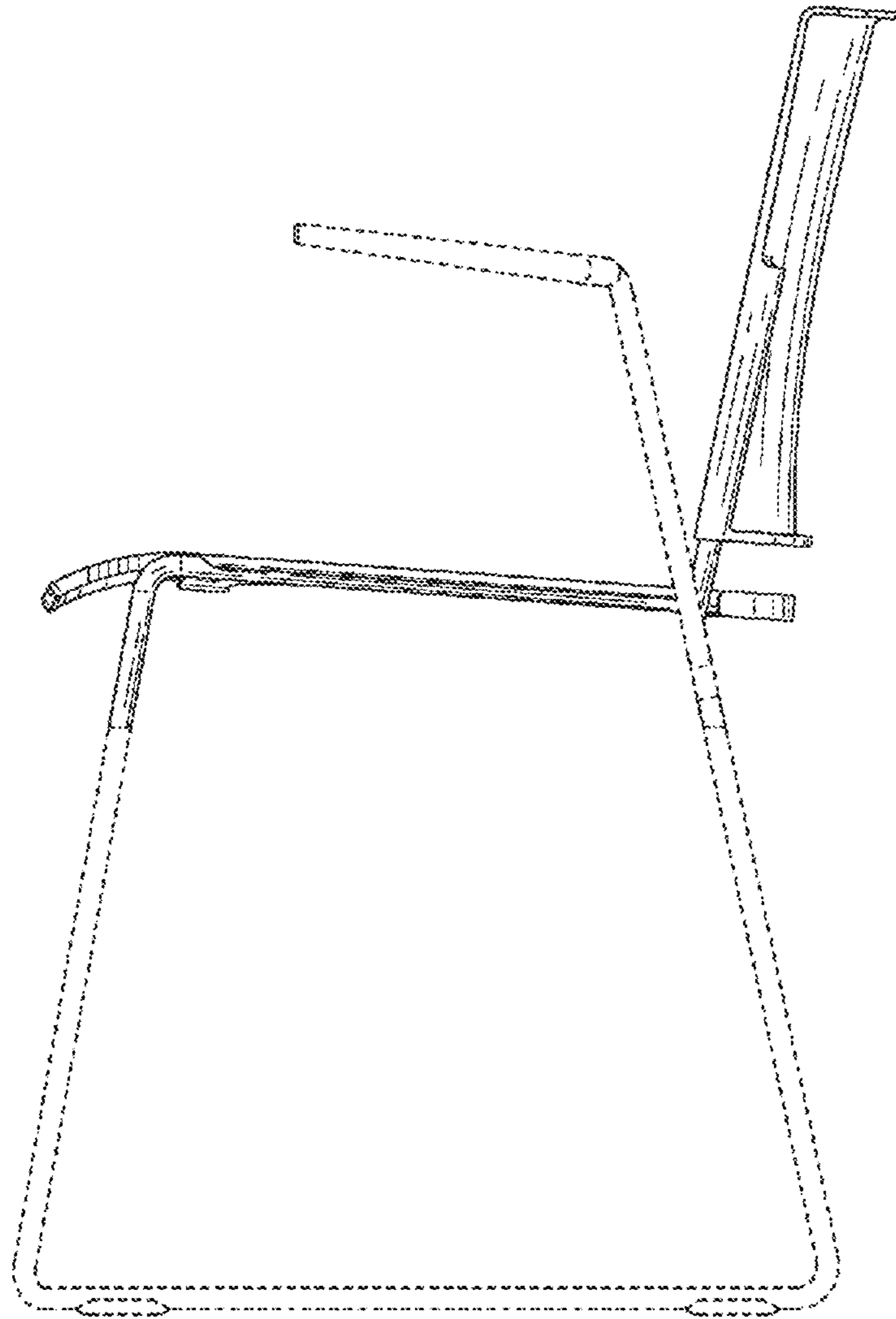


**FIG. 3**

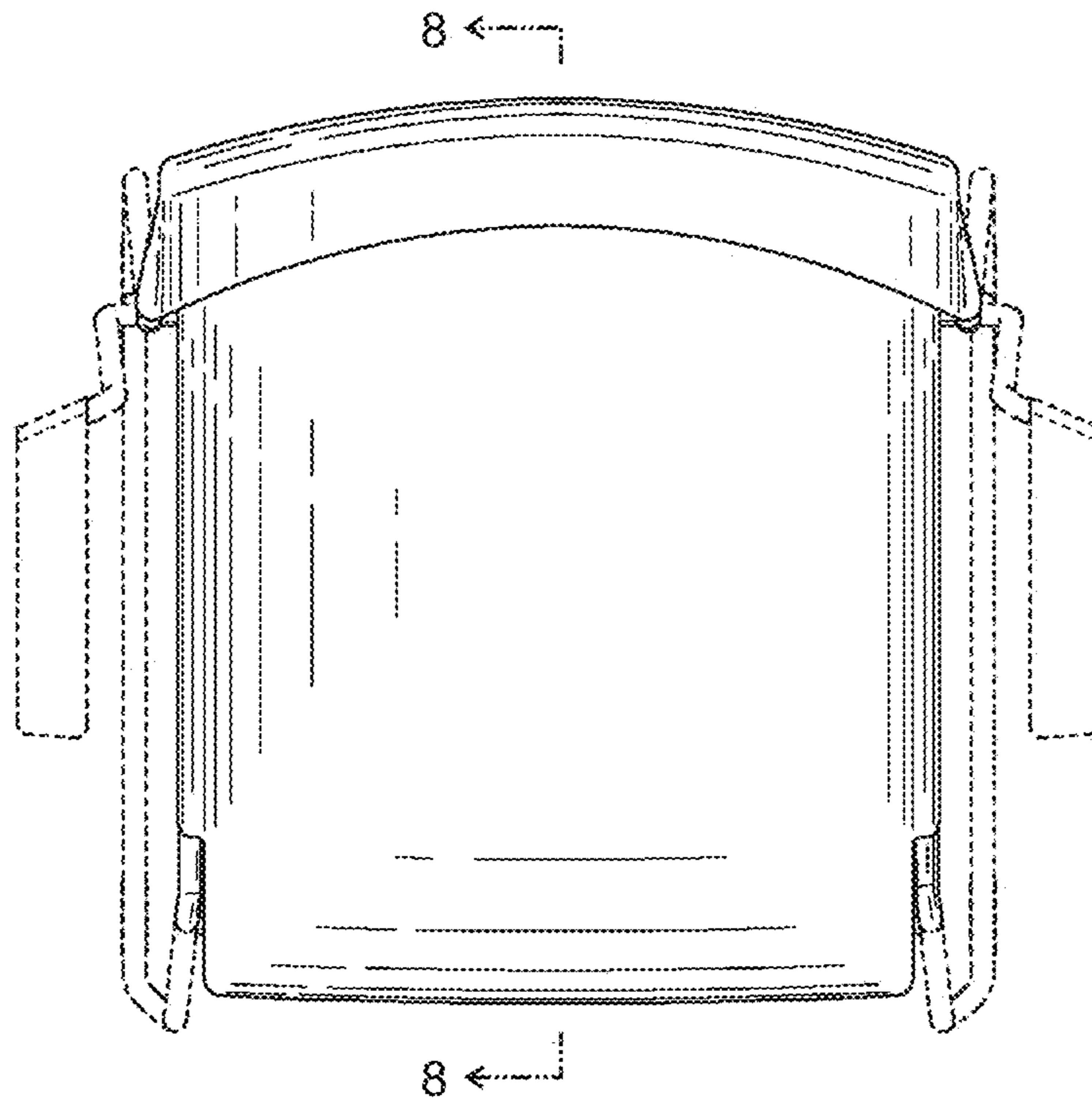




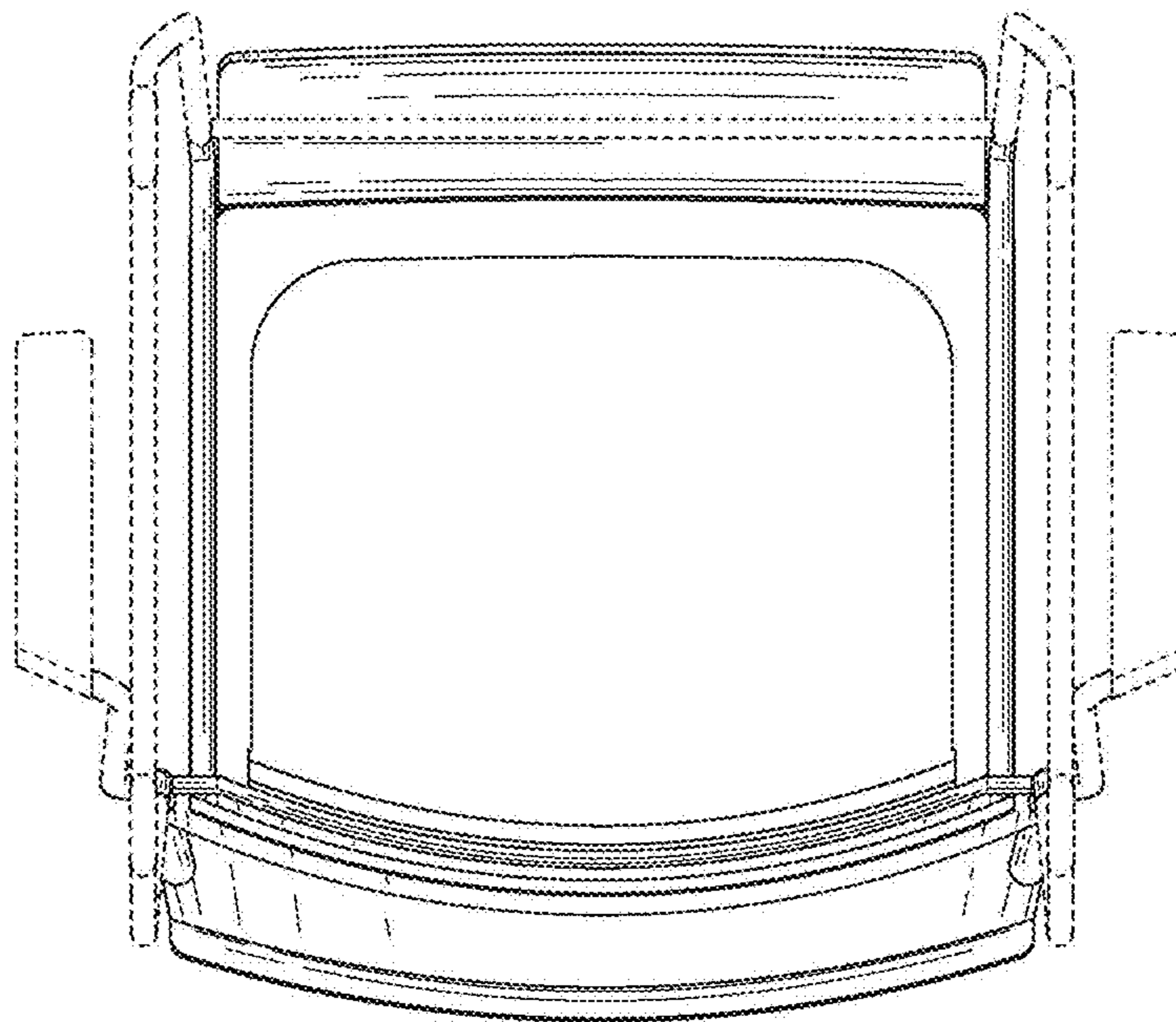
**FIG. 4**



**FIG. 5**

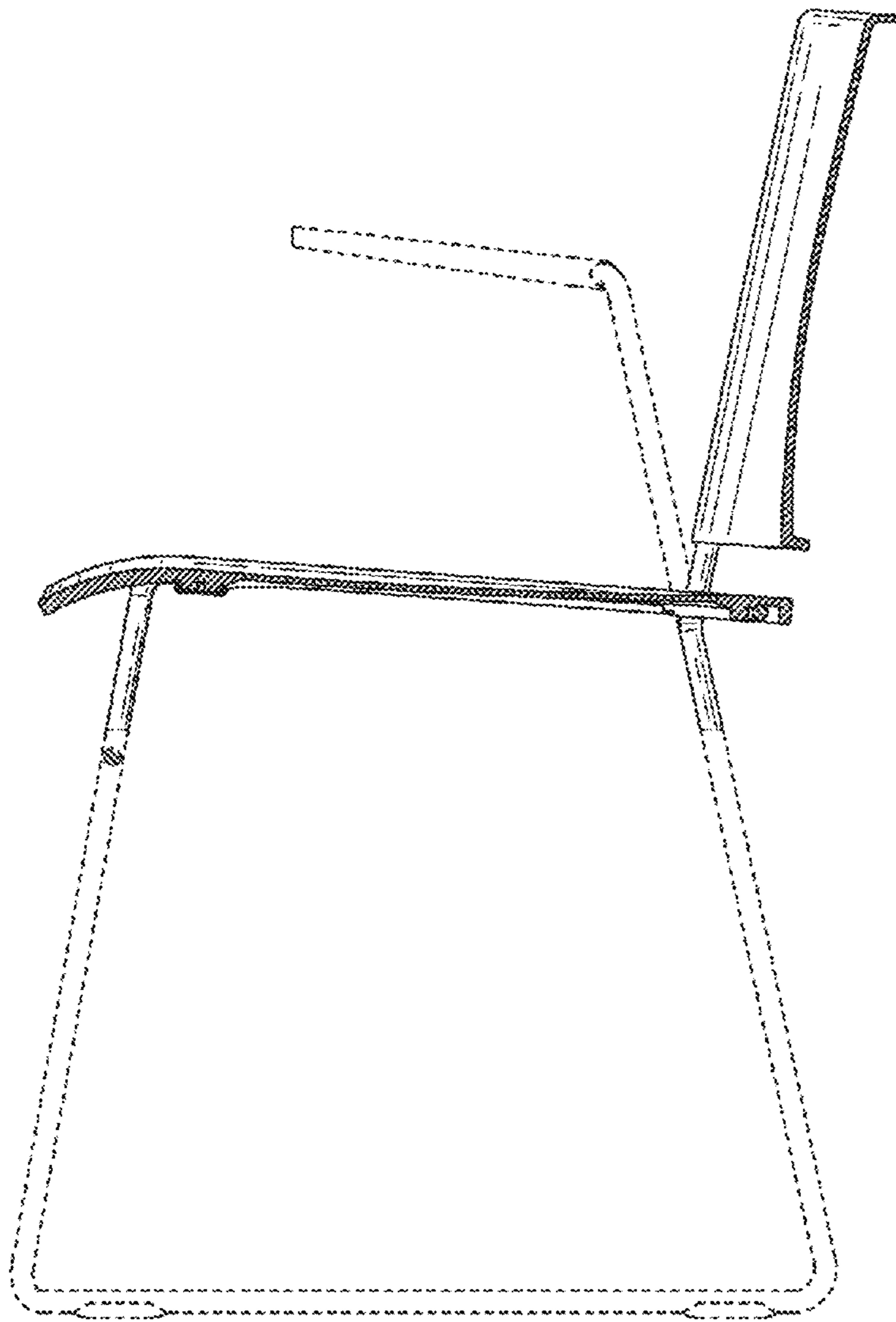


**FIG. 6**



**FIG. 7**





**FIG. 8**