



US00D885099S

(12) **United States Design Patent**  
**Baylar**

(10) **Patent No.:** **US D885,099 S**

(45) **Date of Patent:** **\*\* May 26, 2020**

(54) **TABLE BASE**

(71) Applicant: **HUDSON FURNITURE, INC.**, New York, NY (US)

(72) Inventor: **Barlas Baylar**, New York, NY (US)

(73) Assignee: **HUDSON FURNITURE, INC.**, New York, NY (US)

(\*\*) Term: **15 Years**

(21) Appl. No.: **29/659,930**

(22) Filed: **Aug. 14, 2018**

(51) **LOC (12) Cl.** ..... **06-06**

(52) **U.S. Cl.**  
USPC ..... **D6/708.1**

(58) **Field of Classification Search**  
USPC ..... D6/685, 686, 688, 688.24, 688.27, 702,  
D6/708, 708.1, 708.11, 709, 709.11,  
D6/709.13, 709.19  
CPC ..... A47B 7/00; A47B 13/00; A47B 13/02;  
A47B 21/00; A47B 91/00; A47B  
2200/0011; A47B 2200/002; A47B  
2200/0027

See application file for complete search history.

(56) **References Cited**

U.S. PATENT DOCUMENTS

D203,199 S \* 12/1965 Beckman ..... D6/708  
D721,244 S \* 1/2015 Mueller ..... A47B 9/20  
D6/709  
2017/0135466 A1\* 5/2017 Randlov ..... A47B 9/20

\* cited by examiner

*Primary Examiner* — Mary Ann Calabrese

(74) *Attorney, Agent, or Firm* — Hodgson Russ LLP

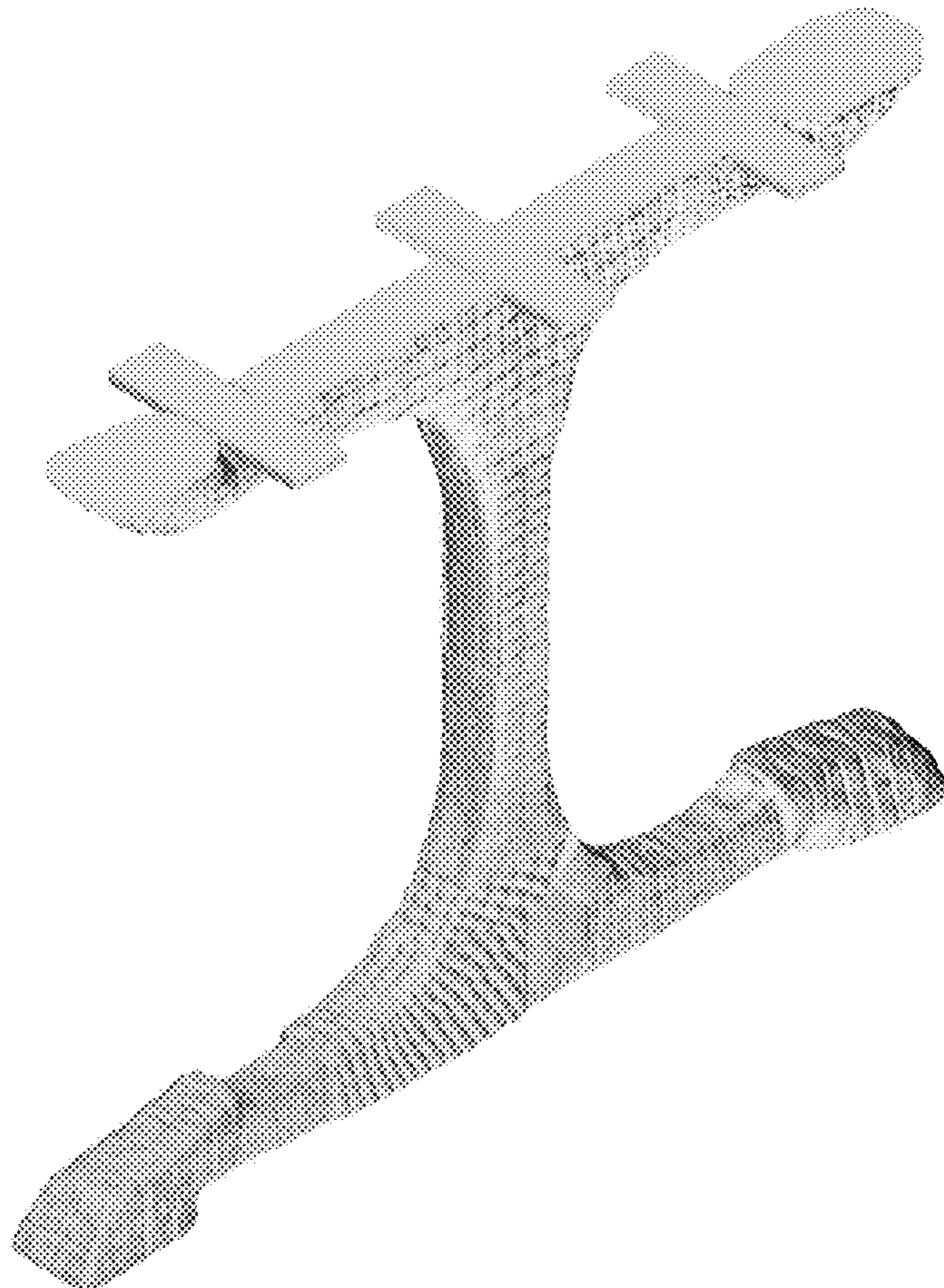
(57) **CLAIM**

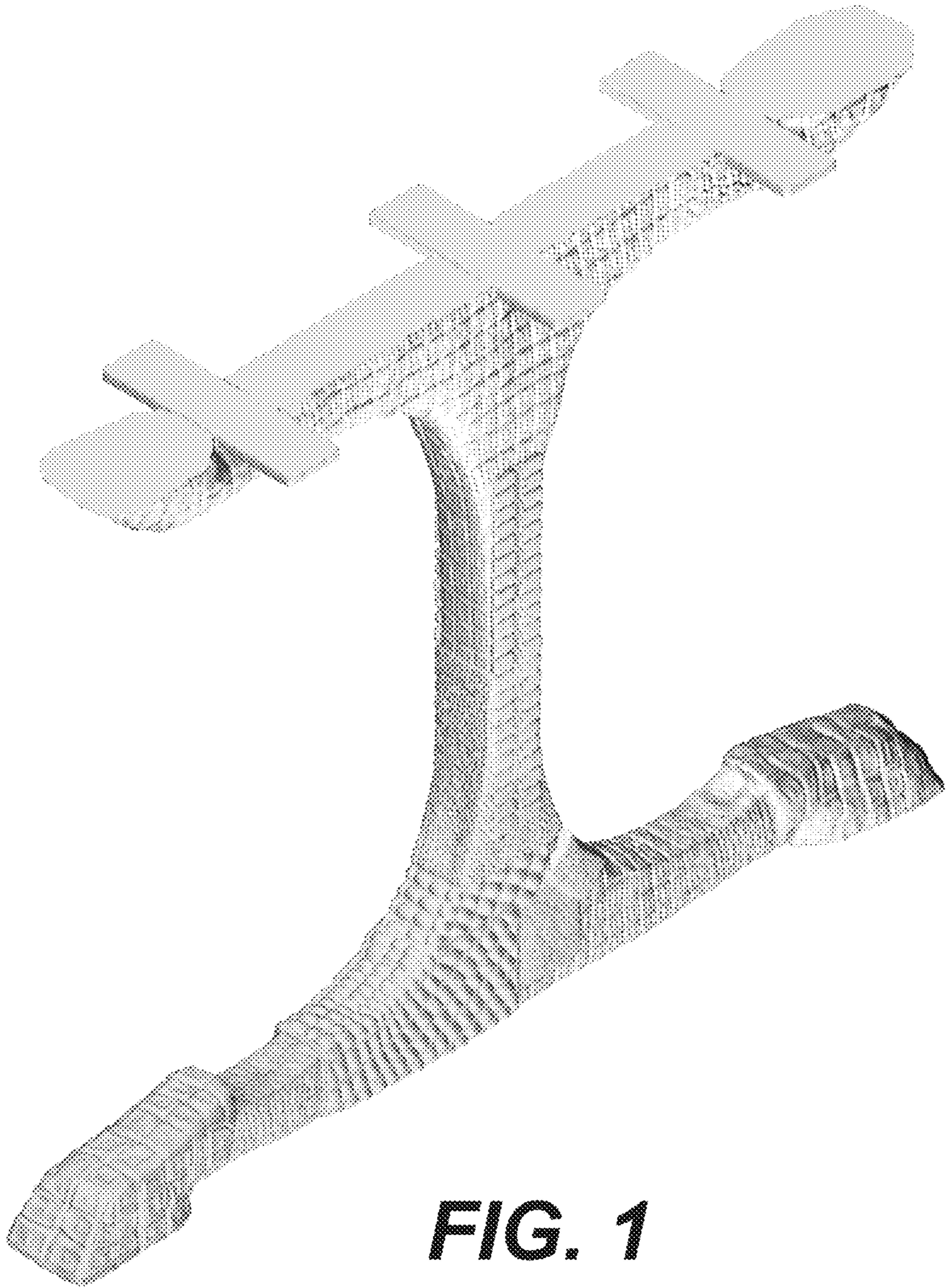
The ornamental design for a table base, as shown and described.

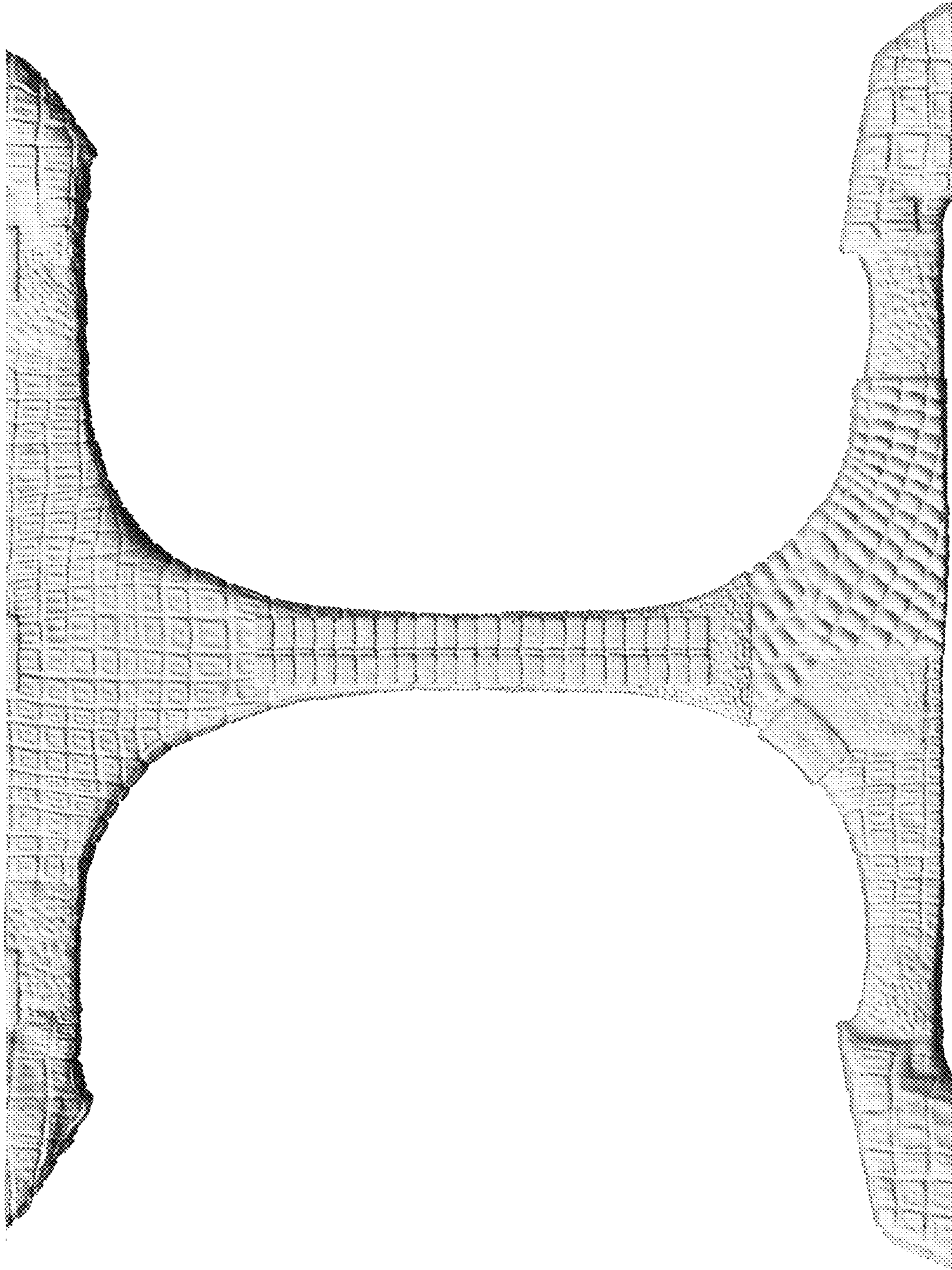
**DESCRIPTION**

FIG. 1 is a front-top-left perspective view of a table base, showing my new design;  
FIG. 2 is a rear elevation view thereof;  
FIG. 3 is a front elevation view thereof;  
FIG. 4 is a right side elevation view thereof;  
FIG. 5 is a left side elevation view thereof;  
FIG. 6 is a bottom plan view thereof;  
FIG. 7 is a top plan view thereof;  
FIG. 8 is a front-bottom-left perspective view; and,  
FIG. 9 is a rear-top-right perspective.

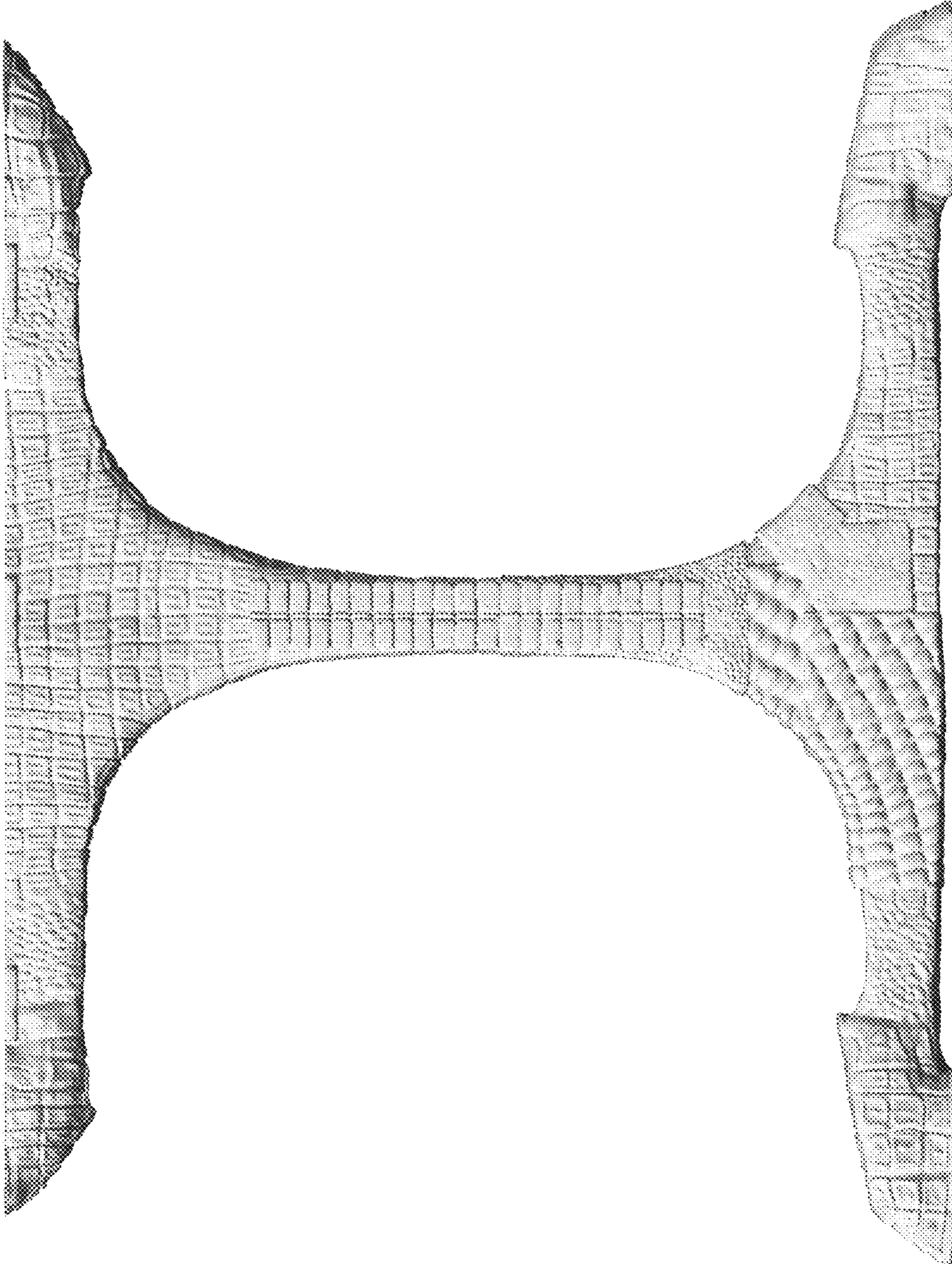
**1 Claim, 9 Drawing Sheets**



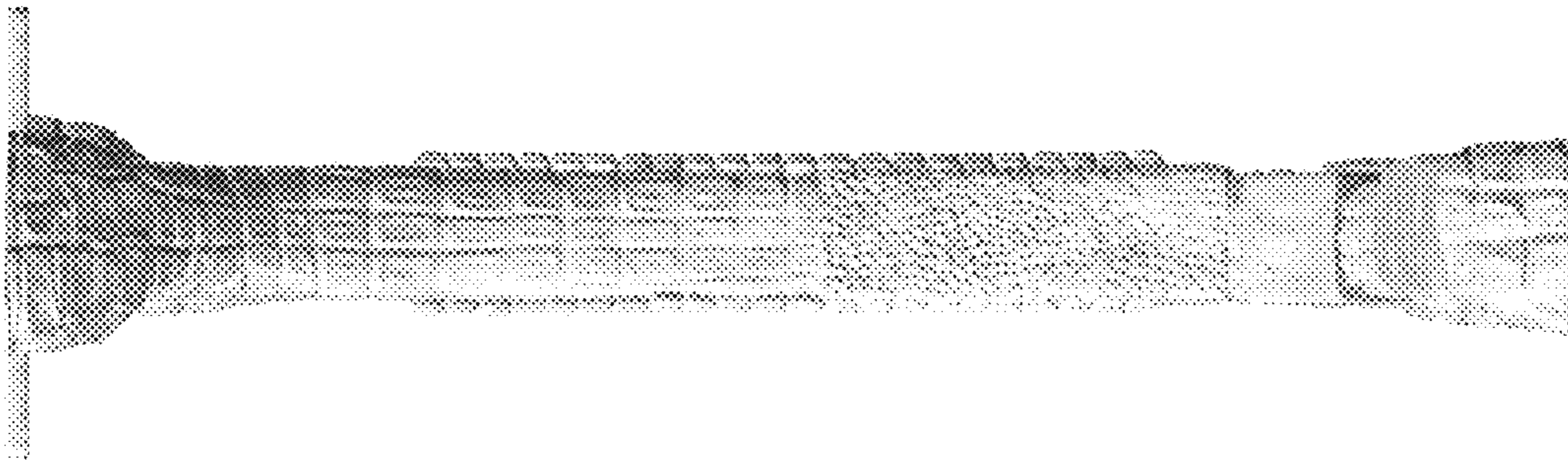




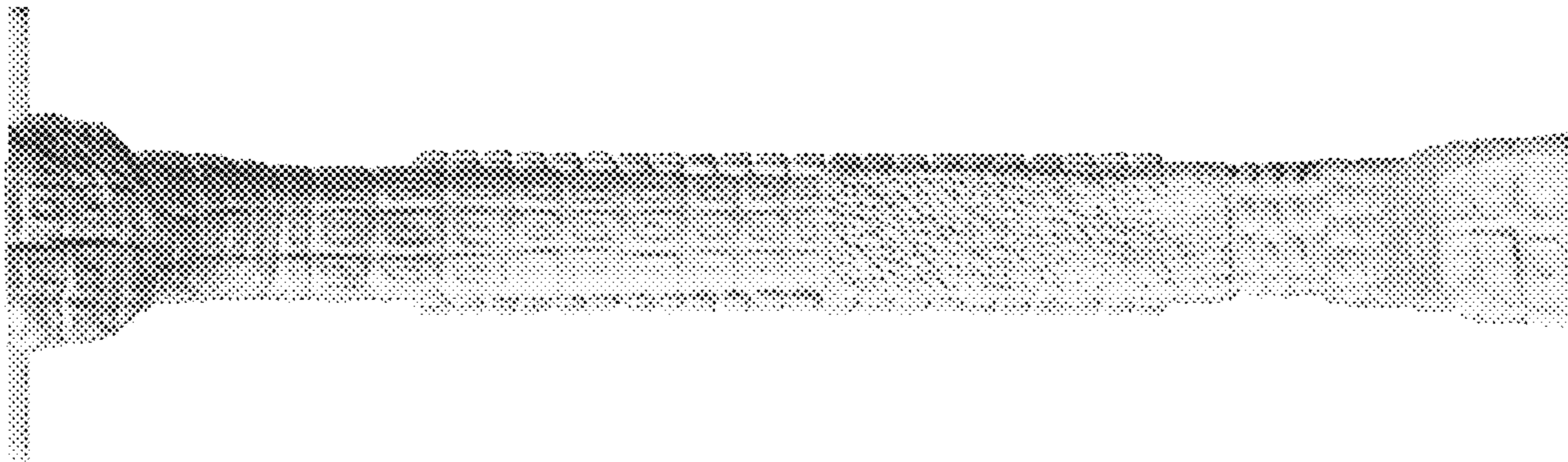
**FIG. 2**



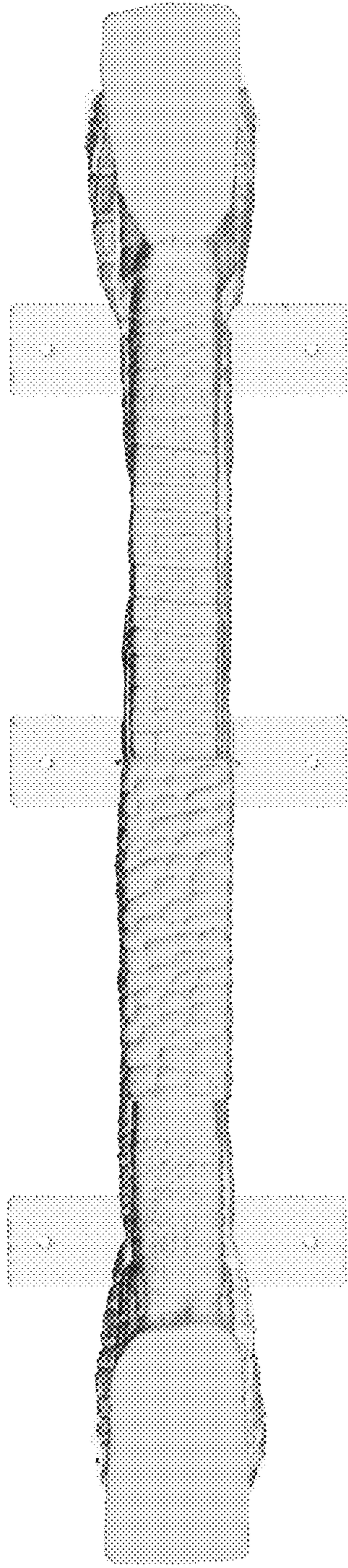
**FIG. 3**



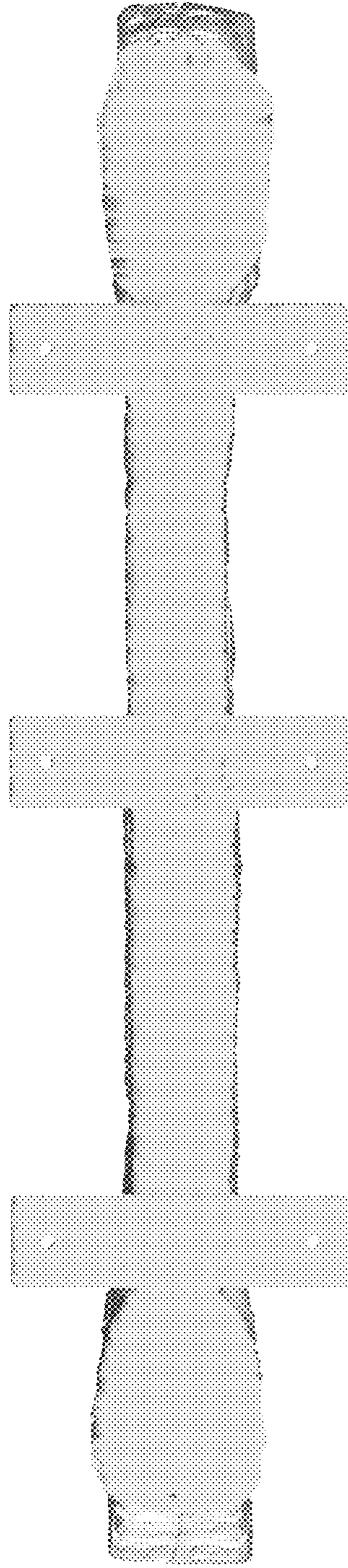
**FIG. 4**



**FIG. 5**

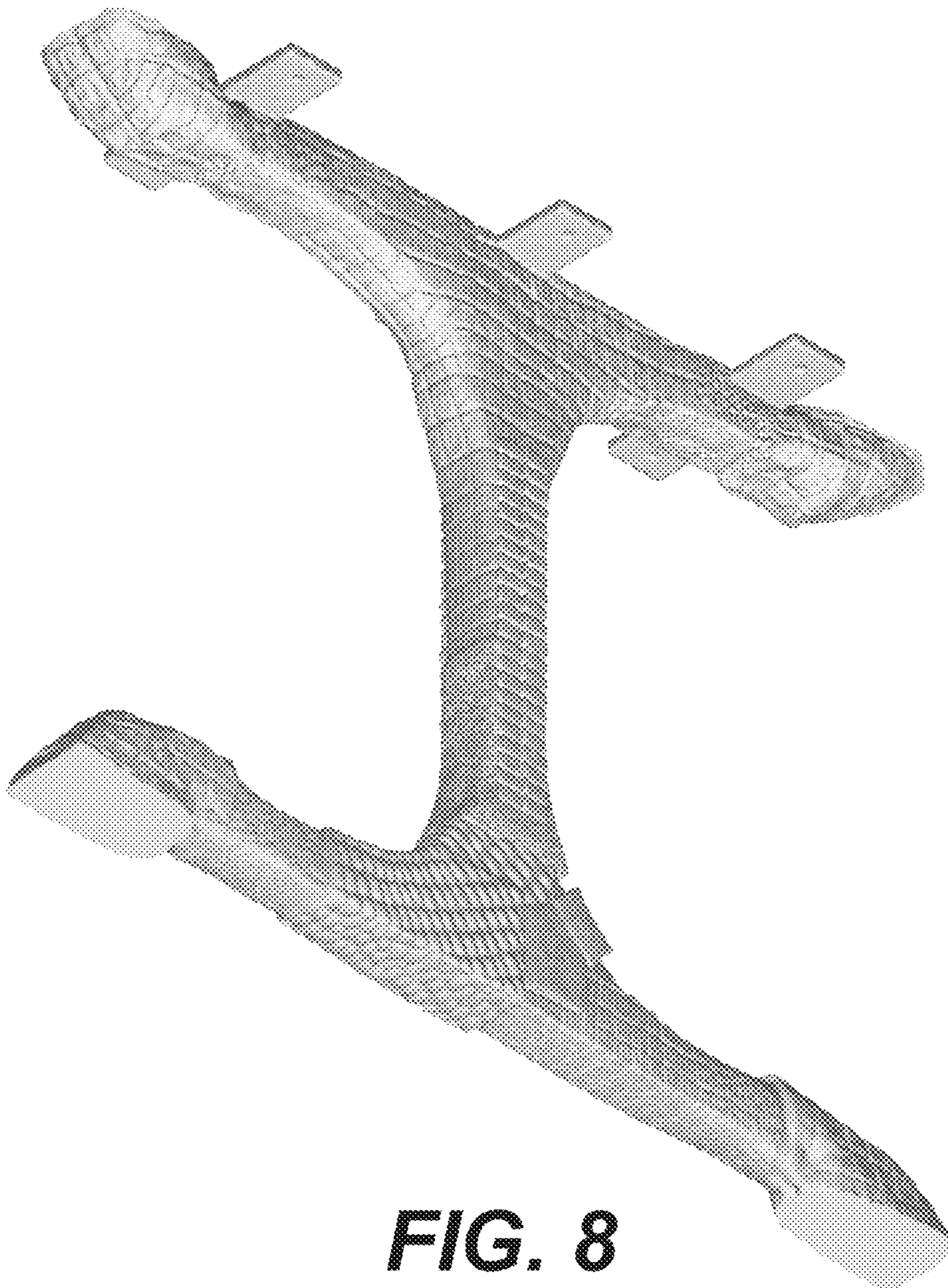


**FIG. 6**

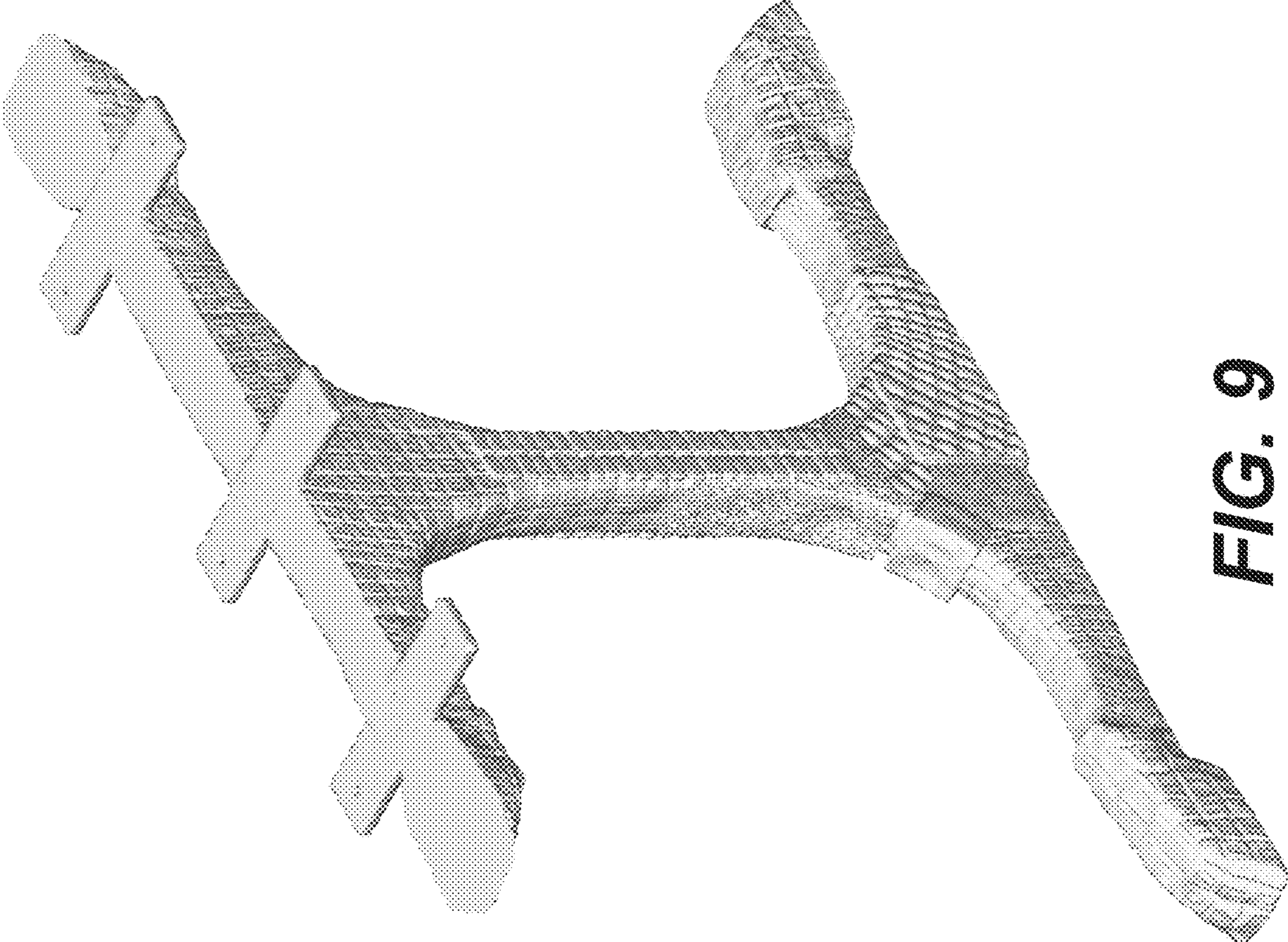


**FIG. 7**





**FIG. 8**



**FIG. 9**