



US00D885098S

(12) **United States Design Patent** (10) **Patent No.:** **US D885,098 S**  
**Xu et al.** (45) **Date of Patent:** **\*\* May 26, 2020**

(54) **RECESSED SHELF STRUCTURE**  
(71) Applicant: **Google LLC**, Mountain View, CA (US)  
(72) Inventors: **Li Xu**, San Francisco, CA (US);  
**Victoria A. Spielmann**, Piedmont, CA  
(US); **Warit Tulyathorn**, San  
Francisco, CA (US)  
(73) Assignee: **GOOGLE LLC**, Mountain View, CA  
(US)

(\*\*) Term: **15 Years**

(21) Appl. No.: **29/630,481**

(22) Filed: **Dec. 21, 2017**

(51) **LOC (12) Cl.** ..... **06-06**

(52) **U.S. Cl.**  
USPC ..... **D6/705.7**

(58) **Field of Classification Search**  
USPC ..... D6/641–642, 656.19, 685–686, 691,  
D6/691.1, 691.3, 691.7, 698–699, 705,  
D6/705.1, 707, 707.18, 707.19, 705.7  
CPC ..... A47B 13/06; A47B 3/00; A47B 91/005;  
A47B 3/0818; A47B 3/087; A47B 17/00;  
A47B 21/00  
See application file for complete search history.

(56) **References Cited**

**U.S. PATENT DOCUMENTS**

1,758,098 A \* 5/1930 Williams ..... A47F 5/005  
211/74  
D317,498 S \* 6/1991 Reid ..... D23/308  
5,475,376 A \* 12/1995 Chikamitue ..... G07F 17/12  
340/5.73  
D623,035 S \* 9/2010 Rivera ..... D8/70  
D736,522 S \* 8/2015 Hsieh ..... D3/313

D759,795 S \* 6/2016 LeTourneau ..... D23/284  
D774,765 S \* 12/2016 Hsieh ..... D3/313  
D776,471 S \* 1/2017 Mandon ..... D6/691.1  
D779,244 S \* 2/2017 Akana ..... D6/688.22  
D788,523 S \* 6/2017 Benoit ..... D7/405  
D790,262 S \* 6/2017 Akana ..... D6/691  
D804,229 S \* 12/2017 Chang ..... D6/707.19  
D833,789 S \* 11/2018 Schwalbach ..... D6/707.19  
D841,216 S \* 2/2019 Gaynor ..... D26/74  
D858,159 S \* 9/2019 Versace ..... D6/691.5

\* cited by examiner

*Primary Examiner* — Kelley A Donnelly

(74) *Attorney, Agent, or Firm* — Leason Ellis LLP

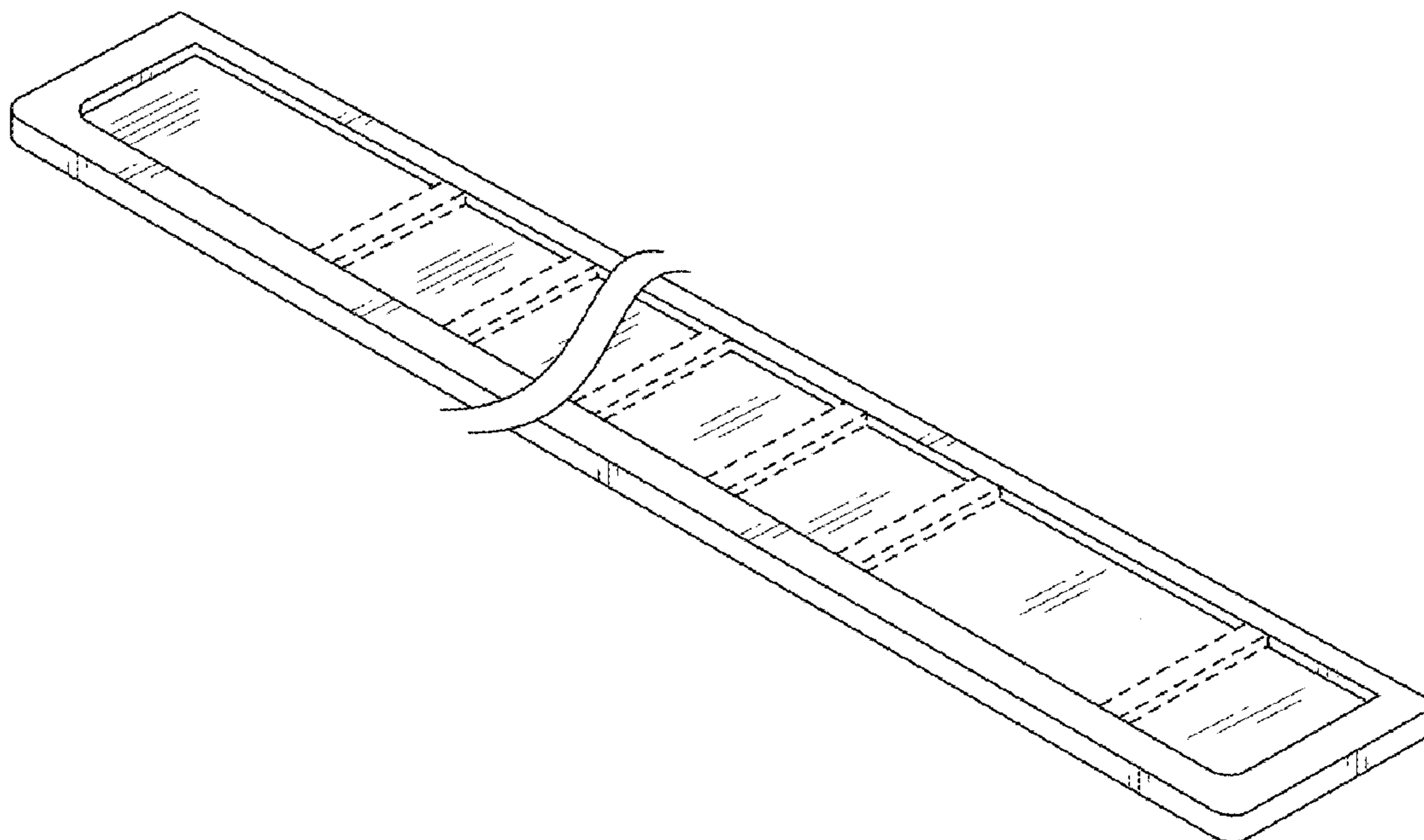
(57) **CLAIM**

The ornamental design for a recessed shelf structure, as shown and described.

**DESCRIPTION**

FIG. 1 is a perspective view of a recessed shelf structure according to a first embodiment of our new design. FIG. 2 is a top plan view thereof; FIG. 3 is a bottom plan view thereof; FIG. 4 is a right side view thereof; FIG. 5 is a left side view thereof; FIG. 6 is a front plan view thereof; FIG. 7 is a back plan view thereof; and, FIG. 8 is a perspective view of a second embodiment of a recessed shelf structure shown in its intended environment. The dash-dash broken lines illustrate environmental structure and form no part of the claimed design. The double-curved lines in FIGS. 1, 2, 3, 6 and 7 indicate break lines, with the appearance of any portion of the fixture between the break lines forming no part of the claimed design.

**1 Claim, 3 Drawing Sheets**



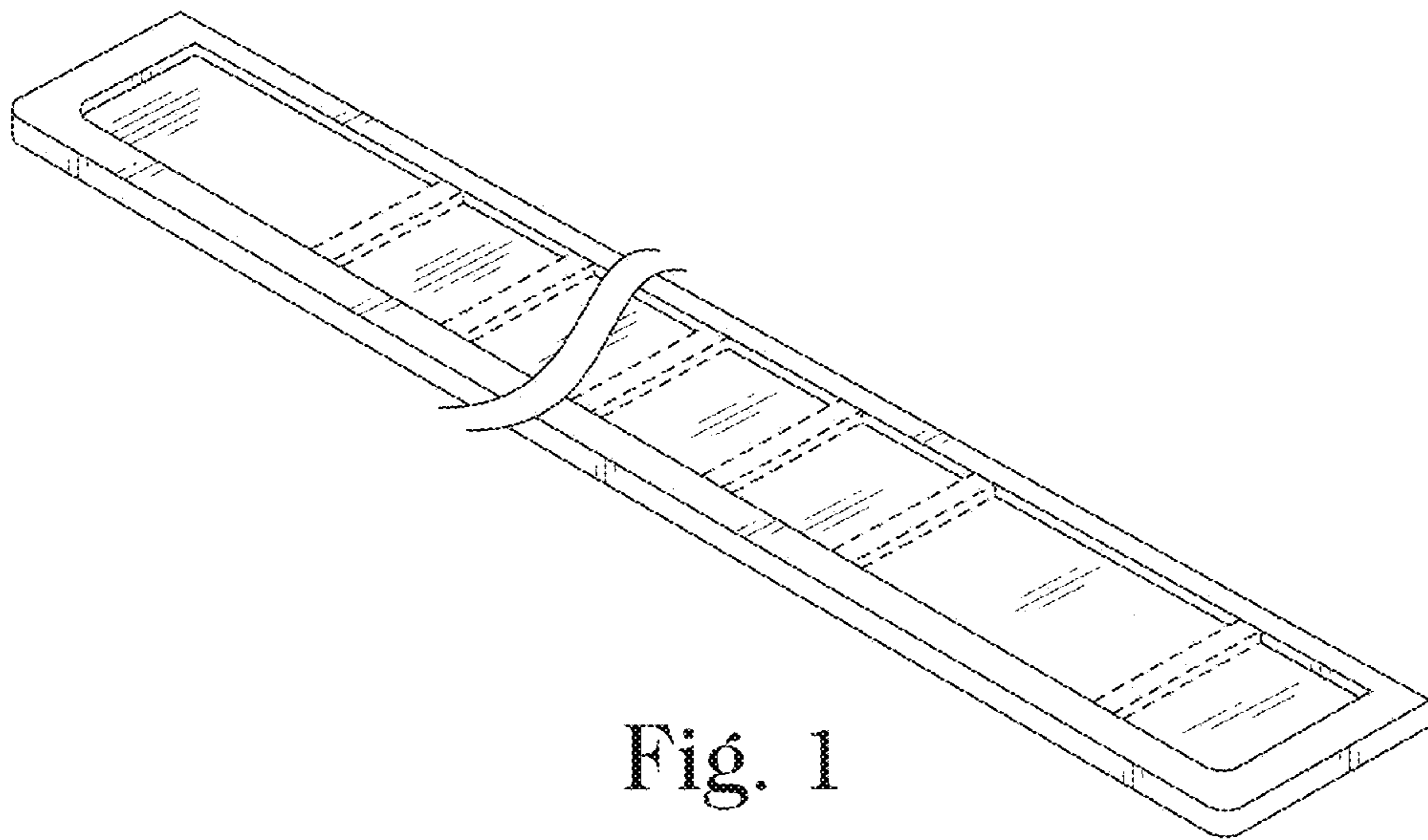


Fig. 1

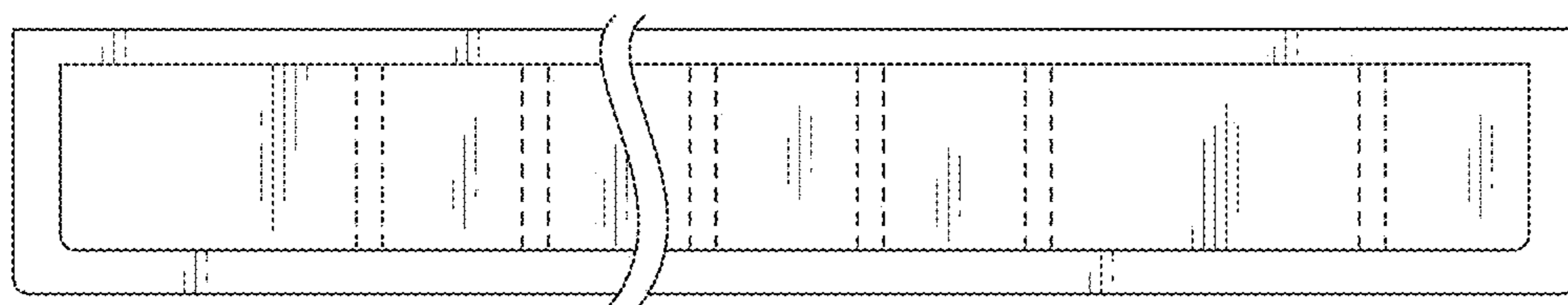


Fig. 2

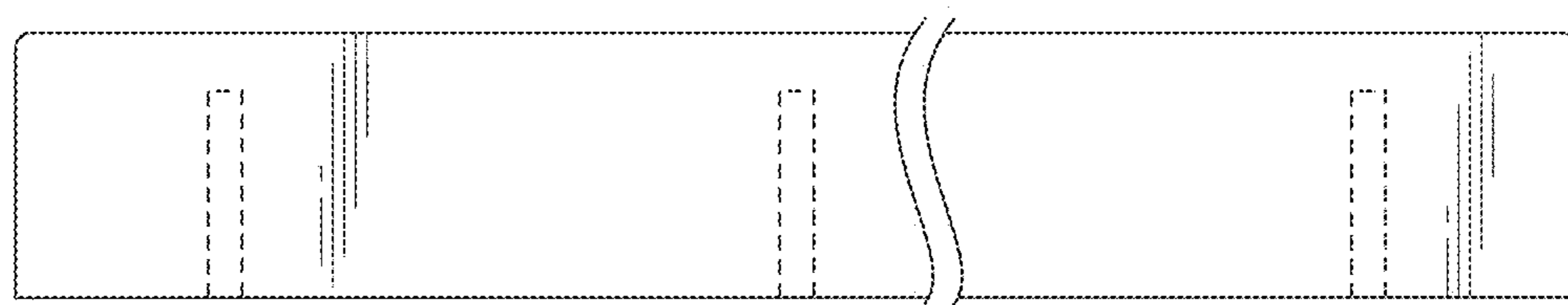


Fig. 3

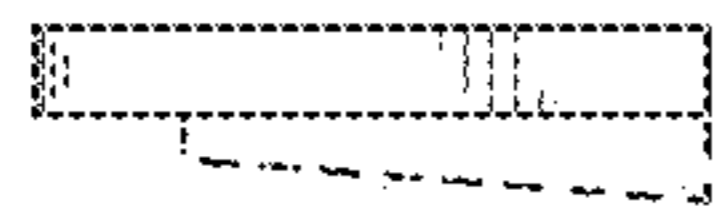


Fig. 4

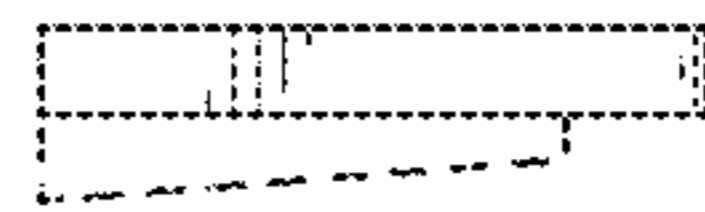


Fig. 5

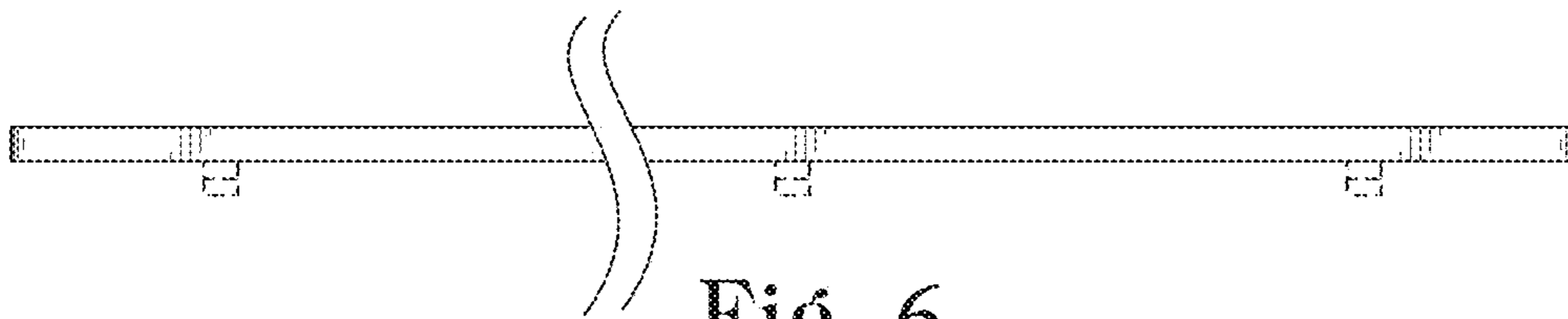


Fig. 6

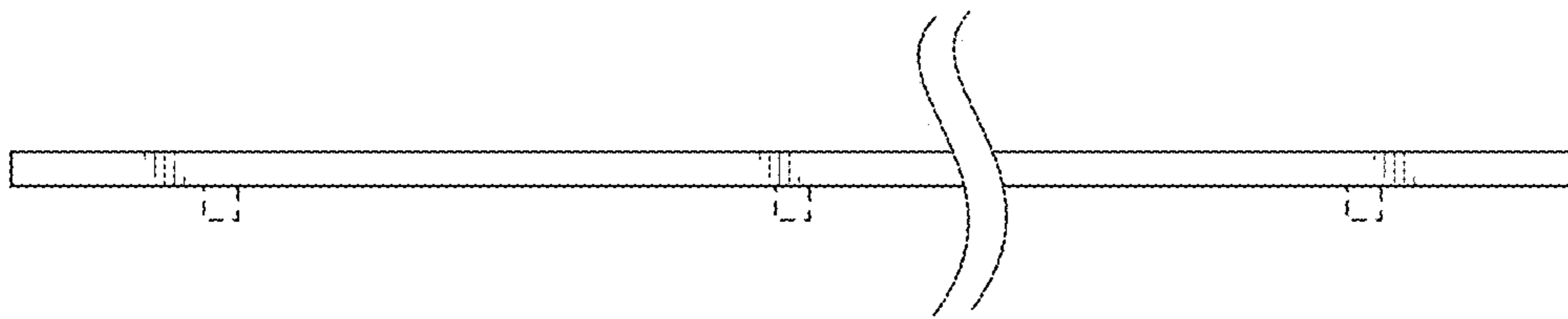


Fig. 7

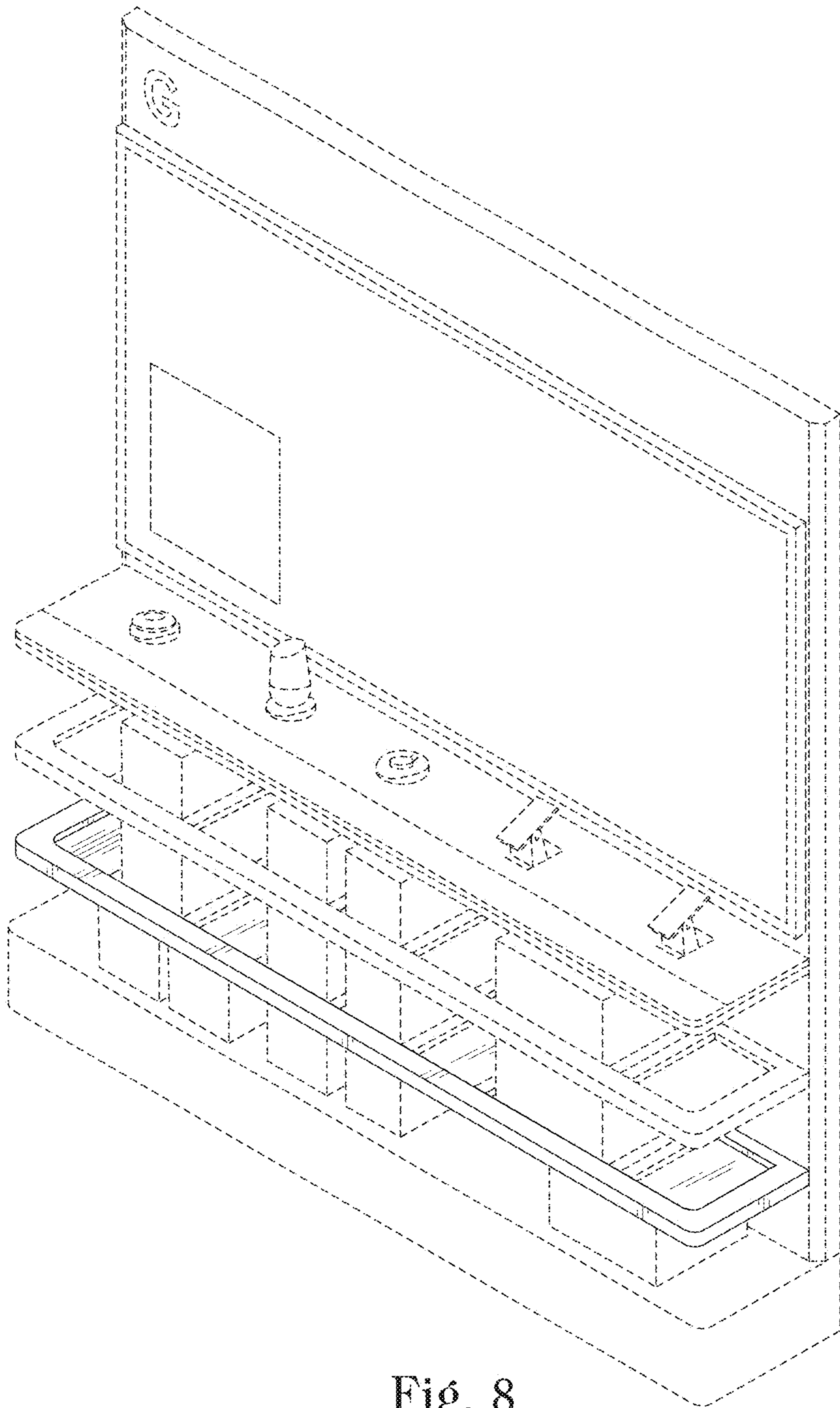


Fig. 8