



US00D885097S

(12) **United States Design Patent**
Lin

(10) **Patent No.:** **US D885,097 S**

(45) **Date of Patent:** **** May 26, 2020**

(54) **COLLAPSIBLE BRACE MEMBER FOR A FURNITURE SUPPORT STRUCTURE**

(71) Applicant: **Dongguan Shichang Metals Factory Ltd., DongGuan (CN)**

(72) Inventor: **Chen-Kang Lin, Kaohsiung (TW)**

(73) Assignee: **Dongguan Shichang Metals Factory Ltd., Dongguan (CN)**

(**) Term: **15 Years**

(21) Appl. No.: **29/640,674**

(22) Filed: **Mar. 16, 2018**

(51) **LOC (12) Cl.** **06-06**

(52) **U.S. Cl.**
USPC **D6/702**

(58) **Field of Classification Search**
USPC D6/702, 691, 691.1, 693, 691.3, 691.6, D6/691.9, 695, 694, 696.1, 696.3, 697, D6/707, 708, 709, 710, 686, 687, 688.27, D6/672, 684, 675; 248/150, 168; 108/119, 150, 153.1, 156, 157, 161, 115, 108/116, 160; D25/68
CPC . F16B 7/105; A47B 7/00; A47B 13/00; A47B 13/02; A47B 13/06; A47B 13/04; A47B 13/08; A47B 2200/11; A47B 2200/001; A47B 2013/026; A47B 3/087; A47B 3/0911; A47B 3/0918; A47B 3/14; B65B 3/108; A01K 13/001; B25H 1/02; B25H 1/04; B25H 1/0042; B25H 1/10; B25H 1/14

See application file for complete search history.

(56) **References Cited**

U.S. PATENT DOCUMENTS

2,689,159 A 9/1954 Schmitz et al.
3,028,205 A 4/1962 Harold

5,390,610 A 2/1995 Gutgsell
5,865,128 A 2/1999 Tarnay
D419,332 S * 1/2000 Collins D6/691.5
6,109,687 A 8/2000 Nye et al.
6,173,660 B1 1/2001 Emmert
D554,909 S * 11/2007 Theemann D6/691.5
D839,032 S * 1/2019 Yamamoto D6/702

(Continued)

Primary Examiner — Abraham Bahta

(74) *Attorney, Agent, or Firm* — Luedeka Neely Group, P.C.

(57) **CLAIM**

The ornamental design for a collapsible brace member for a furniture support structure, as shown and described.

DESCRIPTION

FIG. 1 is a top perspective view of a furniture support structure having identical brace members on opposing halves of the furniture support structure in an extended position;

FIG. 2 is a bottom perspective view of the brace member of one half of the furniture support structure of FIG. 1 in the extended position;

FIG. 3 is a side plan view of the brace member of FIG. 2 in the extended position;

FIG. 4 is a rear elevational view of the brace member of FIG. 2 in the extended position;

FIG. 5 is a bottom plan view of the brace member of FIG. 2 in the extended position;

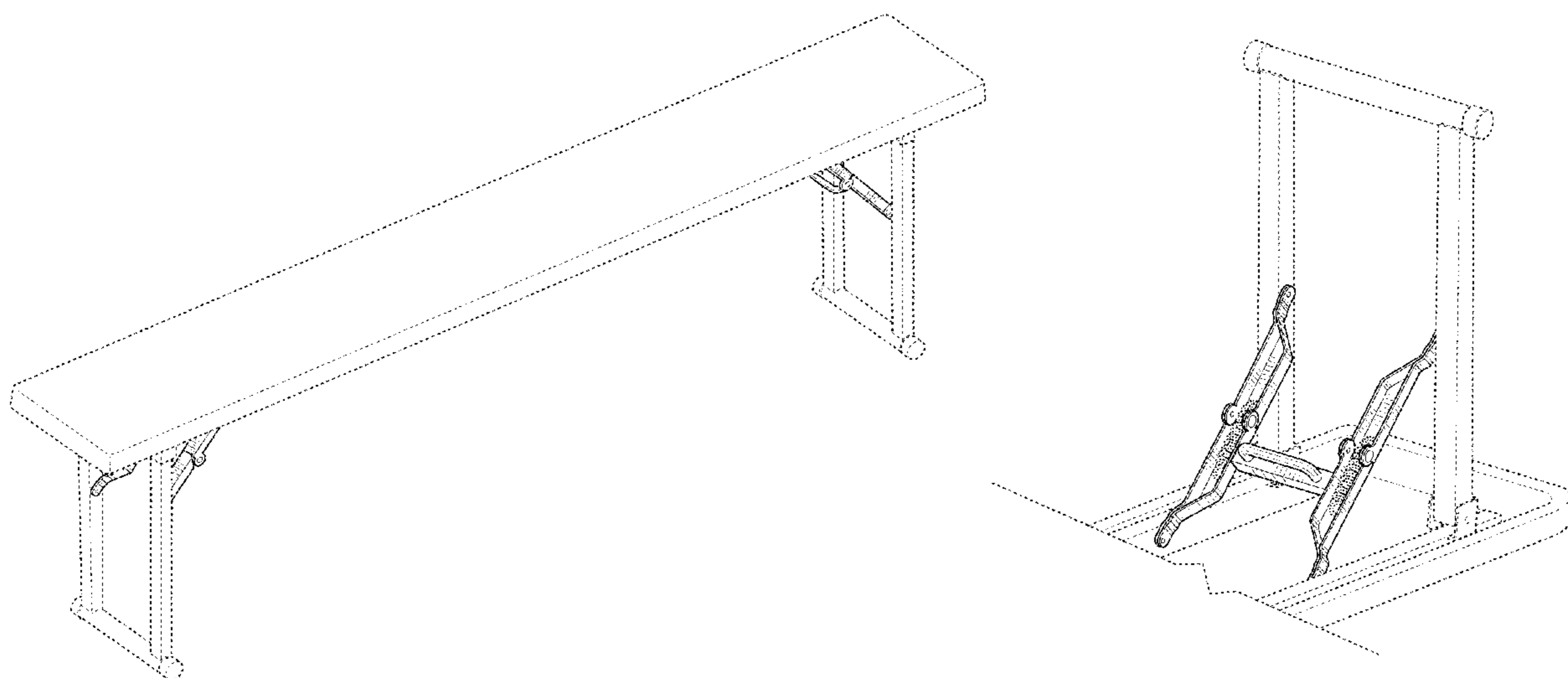
FIG. 6 is a bottom perspective view of the furniture support structure of FIG. 1 in a collapsed position;

FIG. 7 is a bottom perspective view of the brace member of FIG. 2 in the collapsed position; and,

FIG. 8 is a bottom plan view of the brace member of FIG. 2 in the collapsed position.

The broken lines in the drawings are included for the purpose of illustrating unclaimed features and form no part of the claimed design.

1 Claim, 6 Drawing Sheets



(56)

References Cited

U.S. PATENT DOCUMENTS

D844,353 S * 4/2019 Horowitz D6/686
D862,951 S * 10/2019 Angel D6/691

* cited by examiner

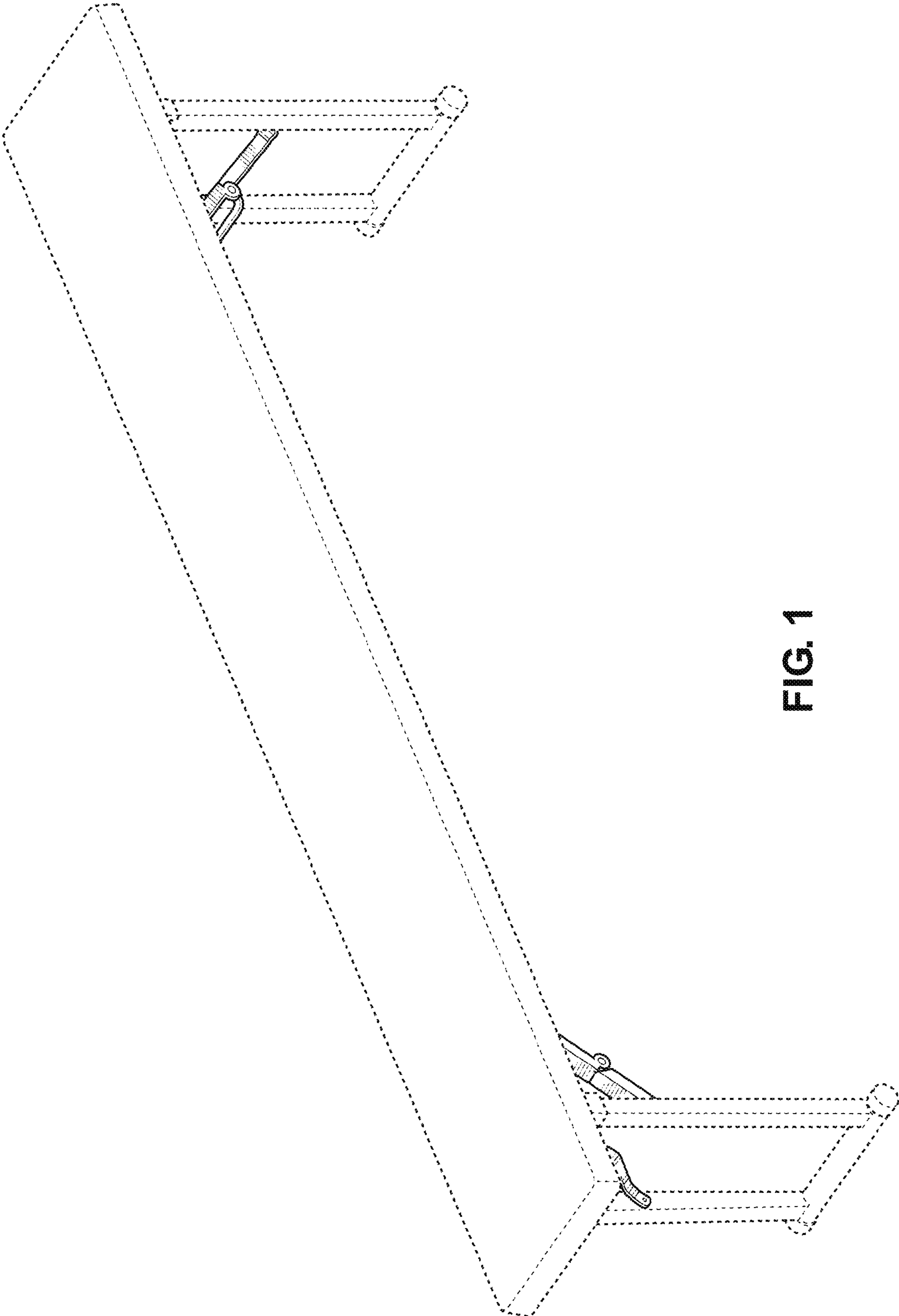


FIG. 1

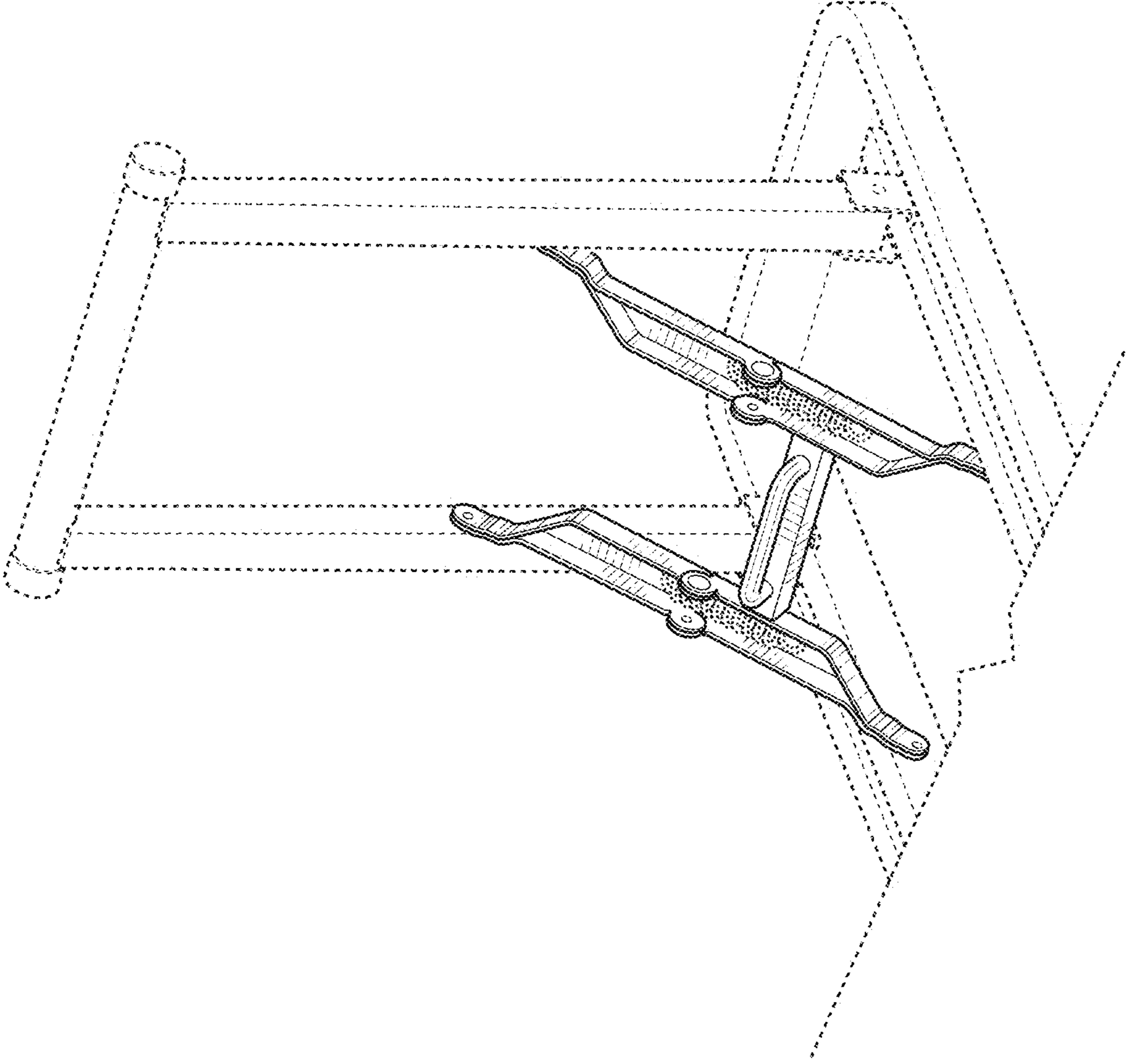
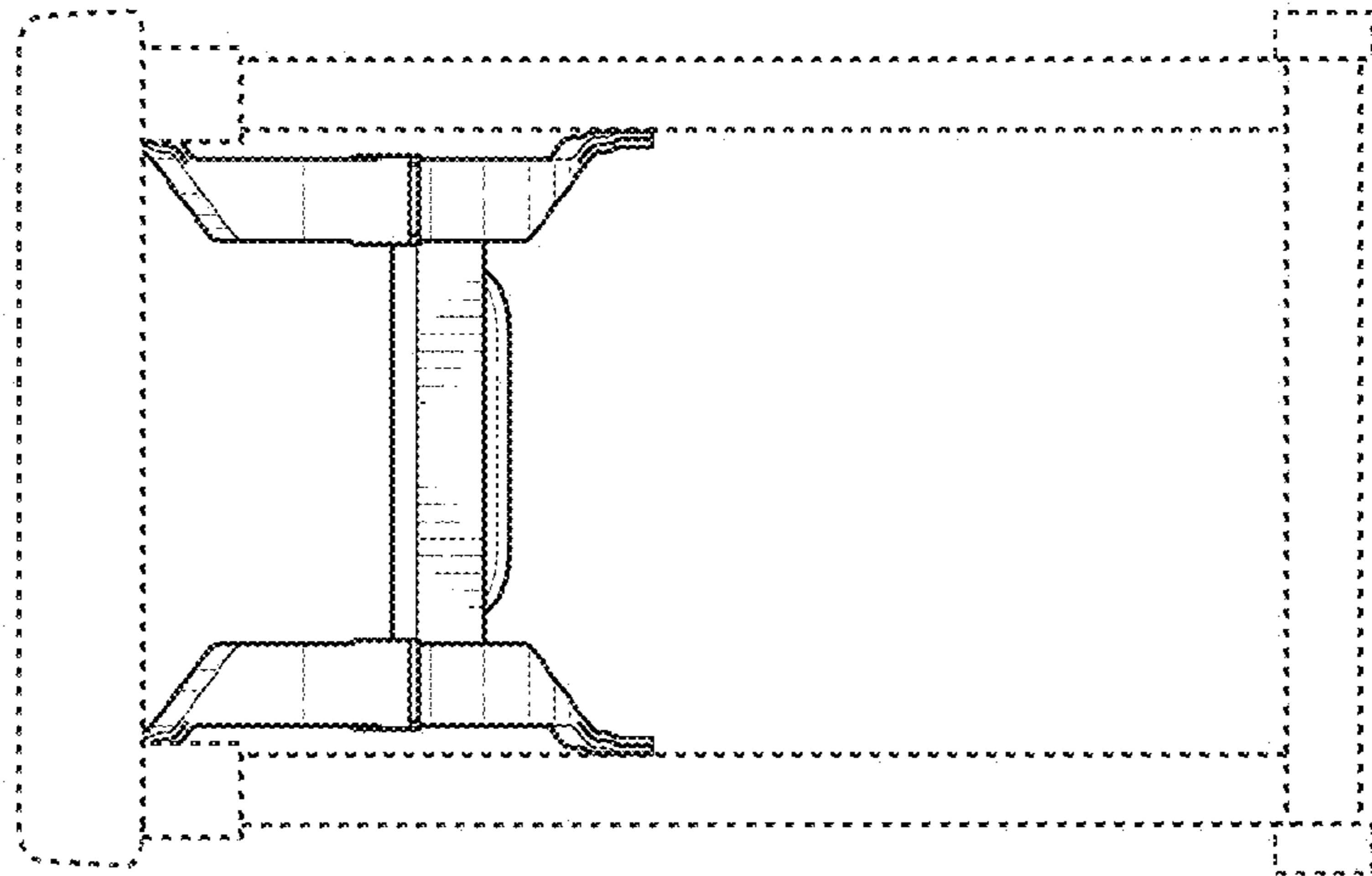
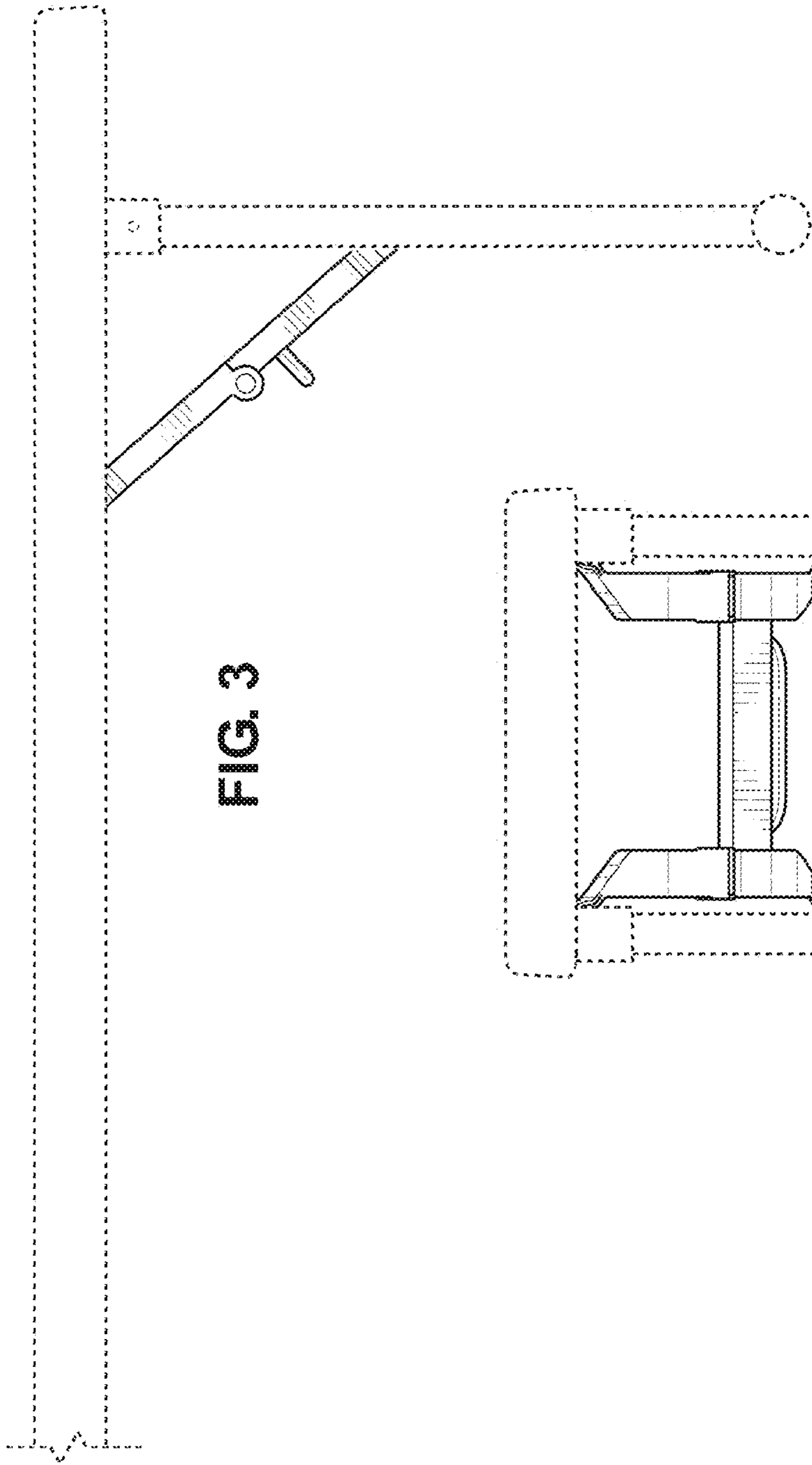


FIG. 2



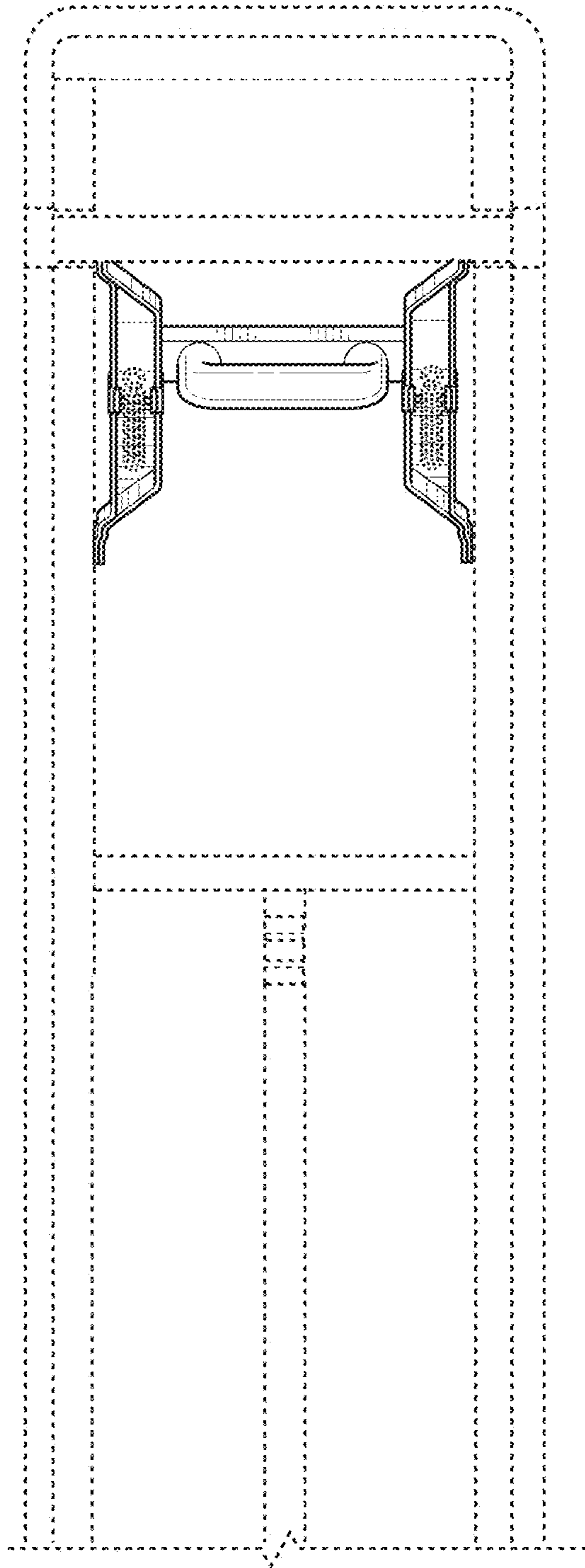


FIG. 5

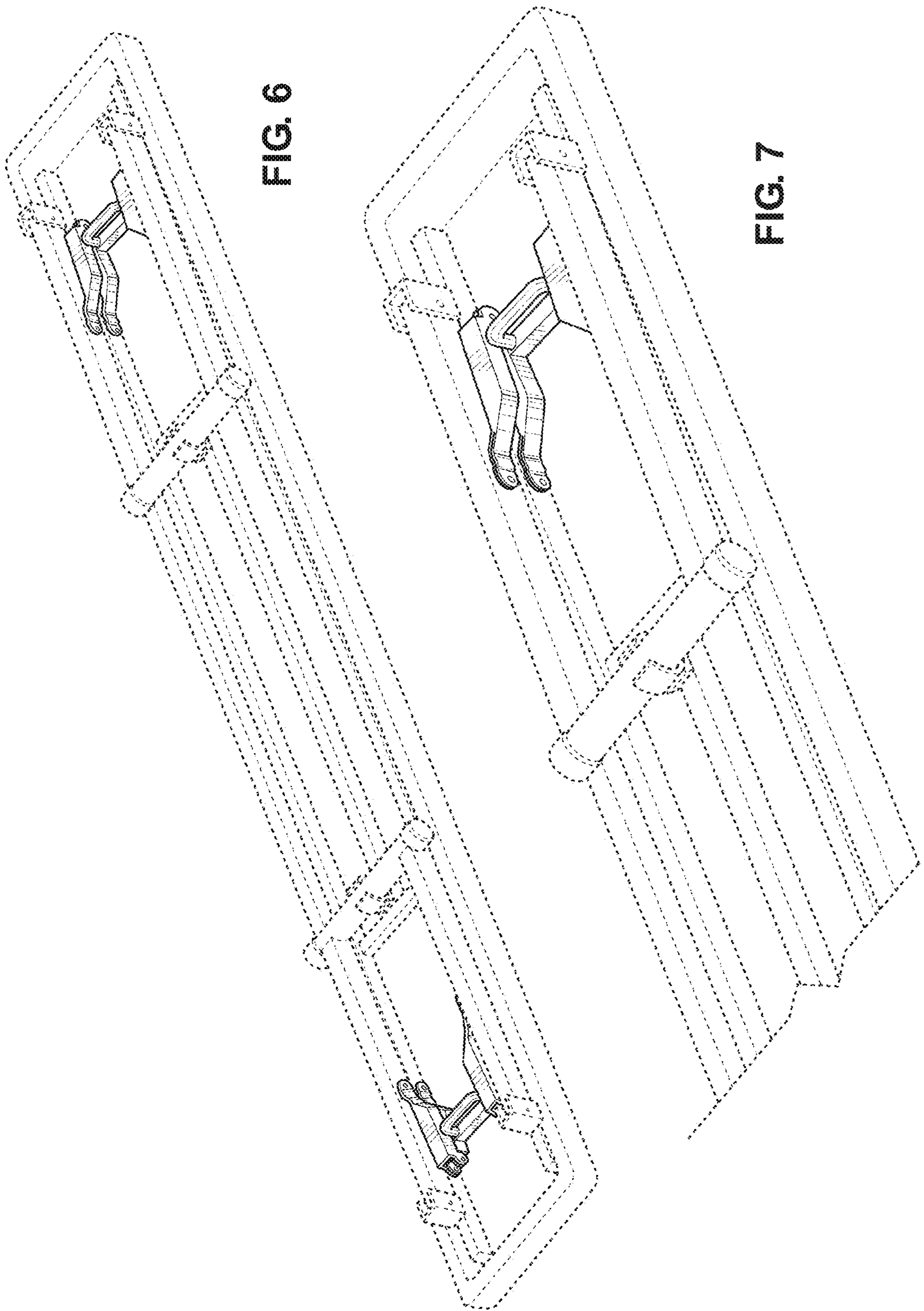


FIG. 6

FIG. 7

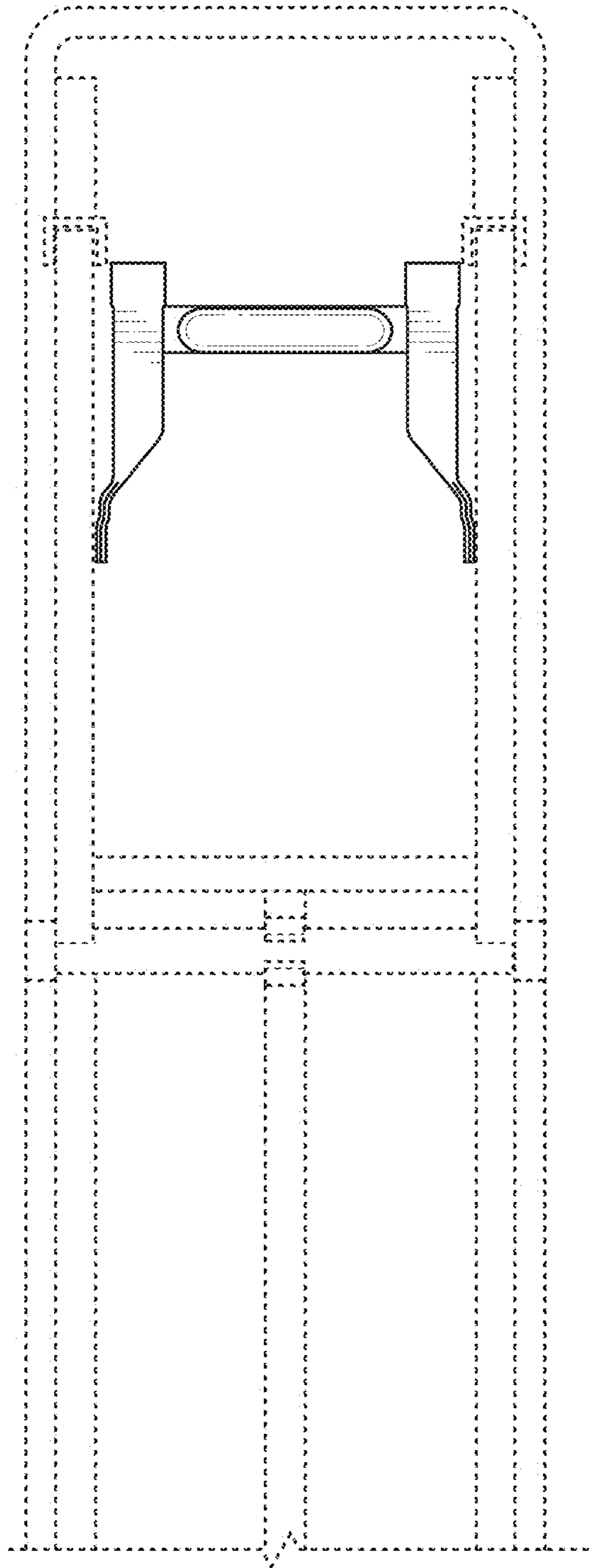


FIG. 8