



US00D885096S

(12) **United States Design Patent** (10) **Patent No.:** **US D885,096 S**
Ostojich (45) **Date of Patent:** **** May 26, 2020**

(54) **FOOD STATION**

- (71) Applicant: **Jasna Ostojich**, Park Ridge, IL (US)
- (72) Inventor: **Jasna Ostojich**, Park Ridge, IL (US)
- (**) Term: **15 Years**
- (21) Appl. No.: **29/646,028**
- (22) Filed: **May 1, 2018**
- (51) **LOC (12) Cl.** **06-03**
- (52) **U.S. Cl.**
USPC **D6/699.3**
- (58) **Field of Classification Search**
USPC D6/663, 664, 665, 668, 668.1, 668.2,
D6/672, 698, 699, 699.1, 699.2, 699.3,
D6/699.4, 699.5; D7/339, 340, 346, 347;
D34/19
CPC A47F 10/06; A47F 2010/065; A47J 43/00;
F25D 11/00; F25D 2400/12; F25D
2400/32; G06Q 20/12; G06Q 30/0635;
G06Q 50/12; B60P 3/0257; H04W 84/12
See application file for complete search history.

(56) **References Cited**

U.S. PATENT DOCUMENTS

D137,662 S *	4/1944	Stark	D6/699
2,644,567 A *	7/1953	Springer	A47F 10/06
				108/22
2,737,288 A *	3/1956	Boots	A47F 10/06
				104/172.3
D263,263 S *	3/1982	Barnhill	D6/699.2
D288,516 S *	3/1987	Mortimer	D6/699.1
D356,455 S *	3/1995	Wenzel-Murphy	D6/699
D365,944 S *	1/1996	Lechleiter	D6/332
D396,582 S *	8/1998	Ilitch	D6/699
D490,625 S *	6/2004	Trazzi	D6/699
D552,380 S *	10/2007	Lowsky	D6/699
D587,938 S *	3/2009	Hartsfield, Jr.	D6/699
D781,088 S *	3/2017	Knoll	D6/699
D781,089 S *	3/2017	Hakemann	D6/699.1

OTHER PUBLICATIONS

Tabletopjournal, posted at Instagram.com, posted on Nov. 11, 2014, site visited Apr. 23, 2019. online, available from internet: <https://www.instagram.com/p/vSPFQ2pLBd/> (Year: 2014).*

Demo Days, posted at Instagram.com posted on Aug. 6, 2015, site visited Apr. 23, 2019. online, available from internet: <https://www.instagram.com/p/6DTfOtJLPa/> (Year: 2015).*

Washington, posted at Instagram, posted on Oct. 10, 2015, site visited Apr. 23, 2019. online, available from internet: <https://www.instagram.com/p/8rcYxVpLNm/> (Year: 2015).*

CafeBellas, posted at Cafebellas.com, posted on Sep. 25, 2016, site visited Apr. 23, 2019. online, available from internet: <https://web.archive.org/web/20160925053041/http://www.cafebellas.com/gallery.html> (Year: 2016).*

* cited by examiner

Primary Examiner — Mary Ann Calabrese
Assistant Examiner — Catherine Ho
 (74) *Attorney, Agent, or Firm* — Gearhart Law LLC

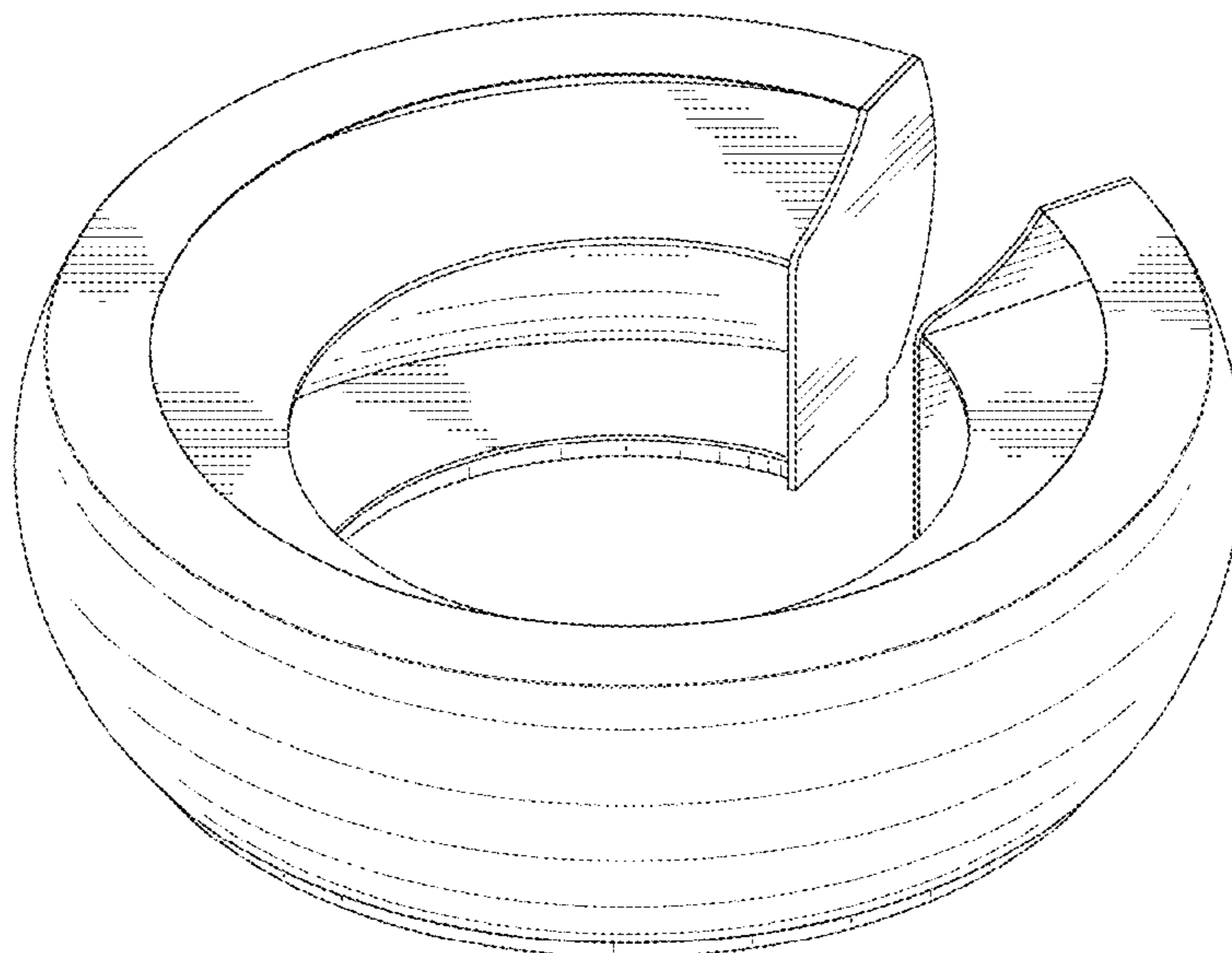
(57) **CLAIM**

I claim the ornamental design for a food station, as shown and described.

DESCRIPTION

FIG. 1 is a perspective view of the food station.
 FIG. 2 is a front elevational view of FIG. 1.
 FIG. 3 is a rear elevational view of FIG. 1.
 FIG. 4 is a left side elevational view of FIG. 1.
 FIG. 5 is a right side elevational view of FIG. 1.
 FIG. 6 is a top plan view of FIG. 1.
 FIG. 7 is a bottom plan view of FIG. 1; and,
 FIG. 8 is a cross sectional view of half of the food station taken in the direction of Section 8-8 of FIG. 6.
 The broken line portion of the figure drawings is included to show portions of the article that form no part of the claimed design.

1 Claim, 8 Drawing Sheets



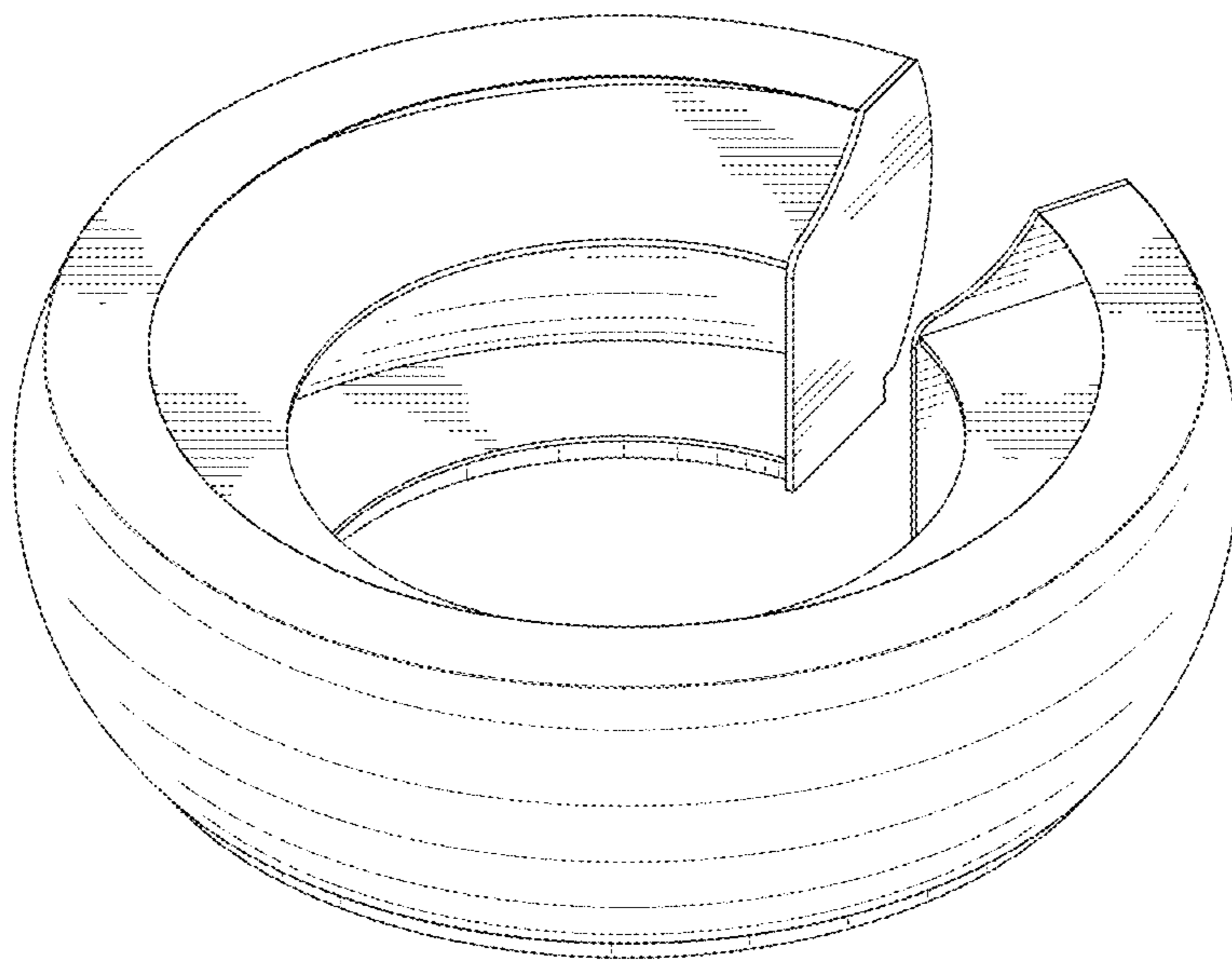


FIG. 1

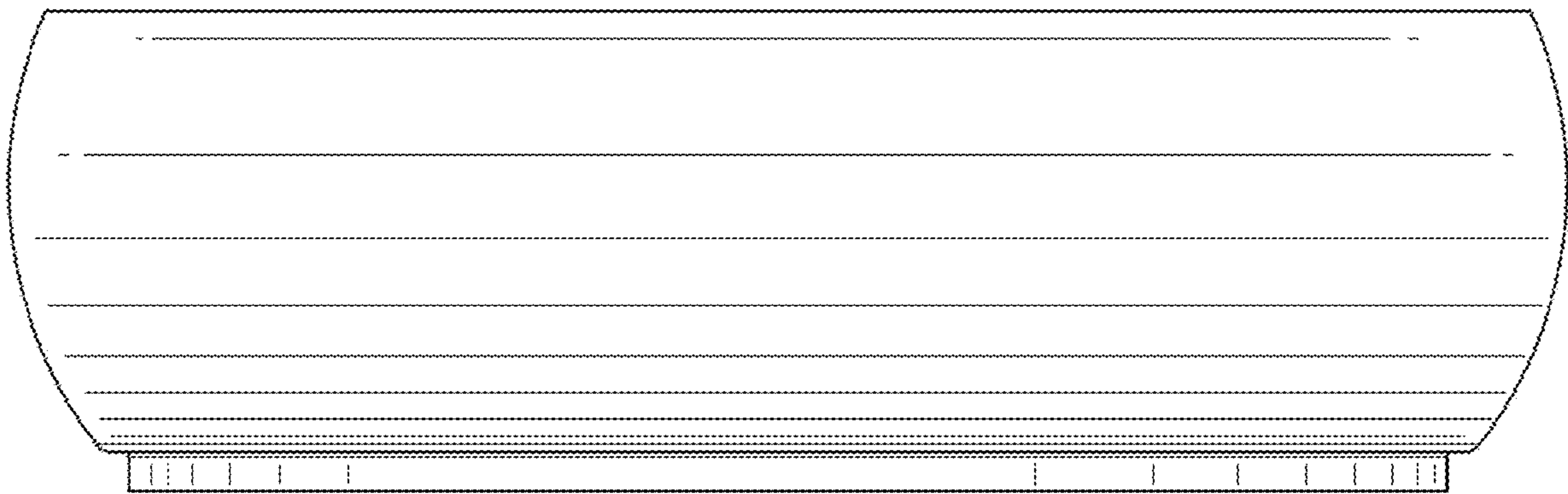


FIG.2

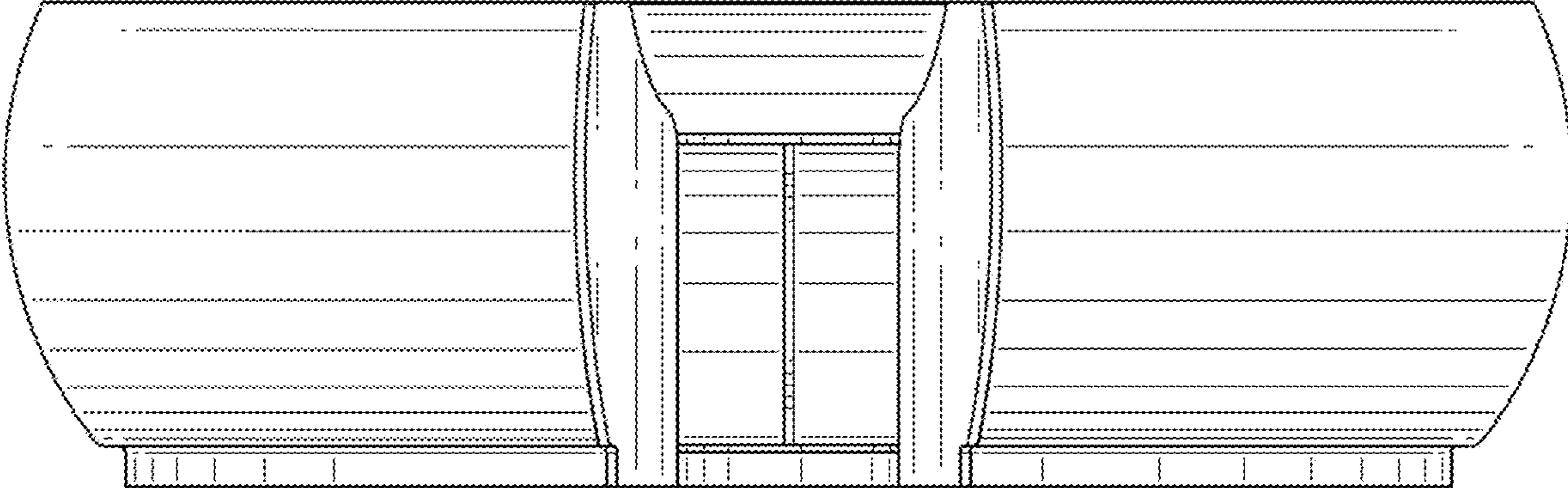


FIG. 3

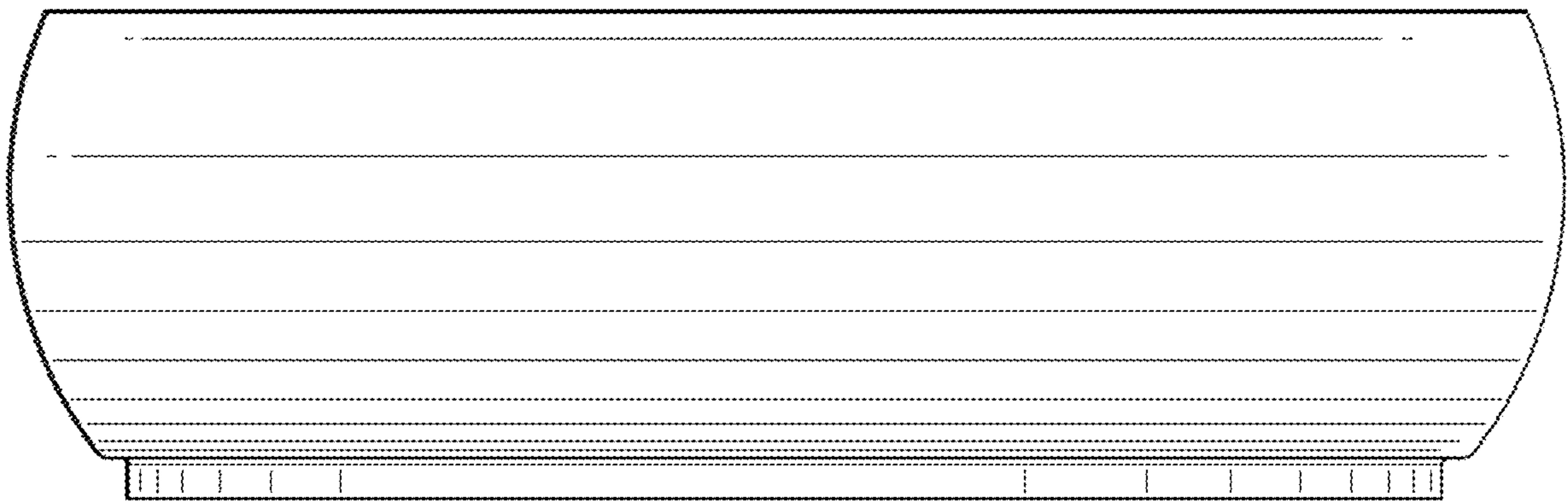


FIG.4

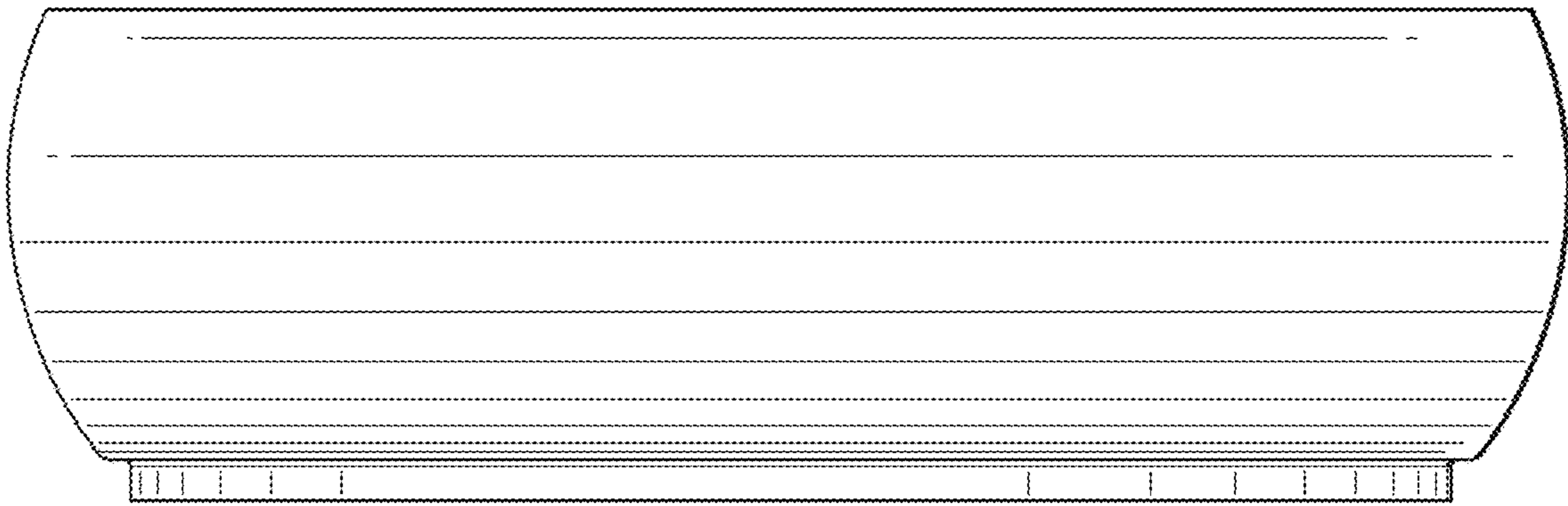


FIG. 5

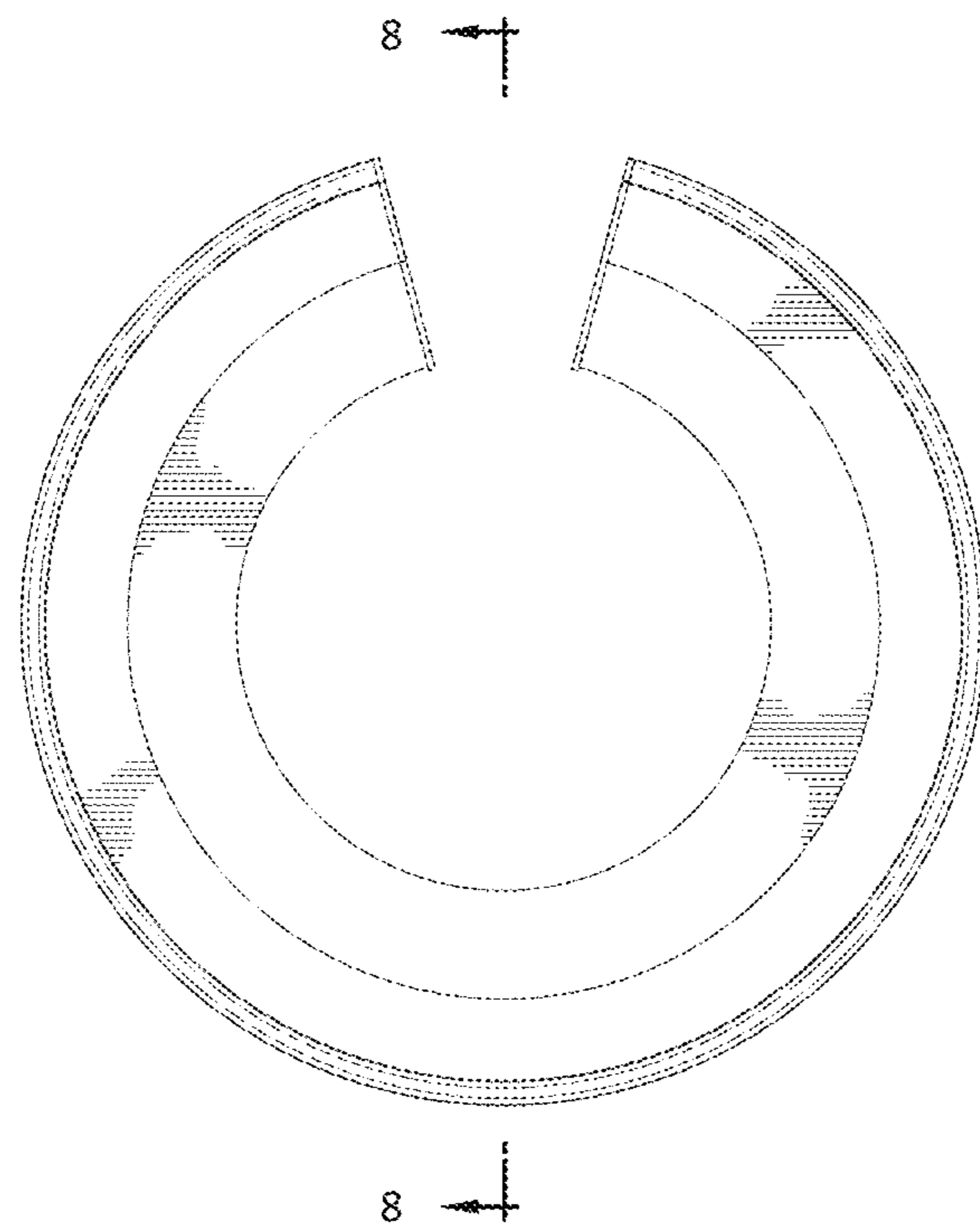


FIG. 6

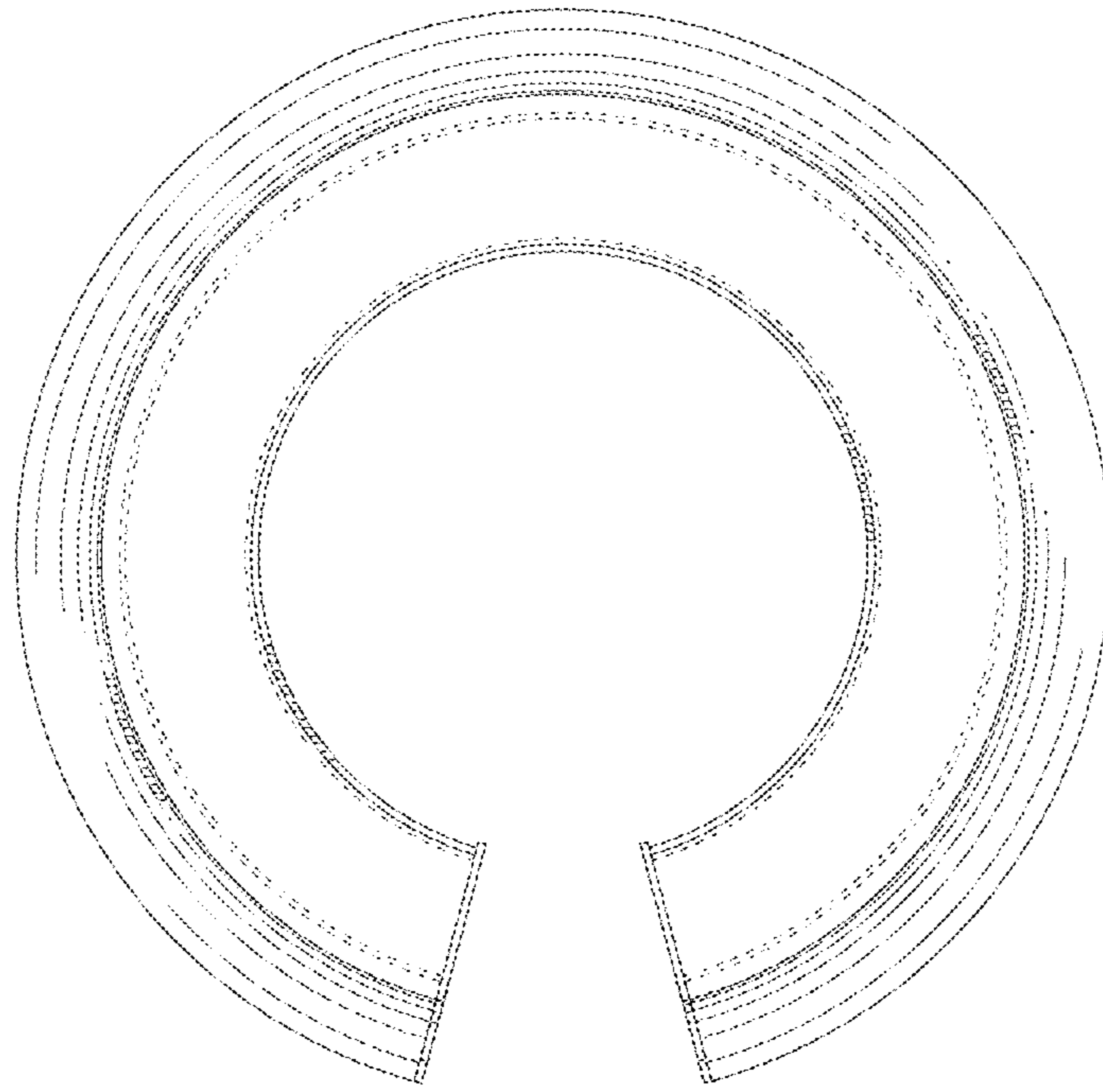


FIG. 7

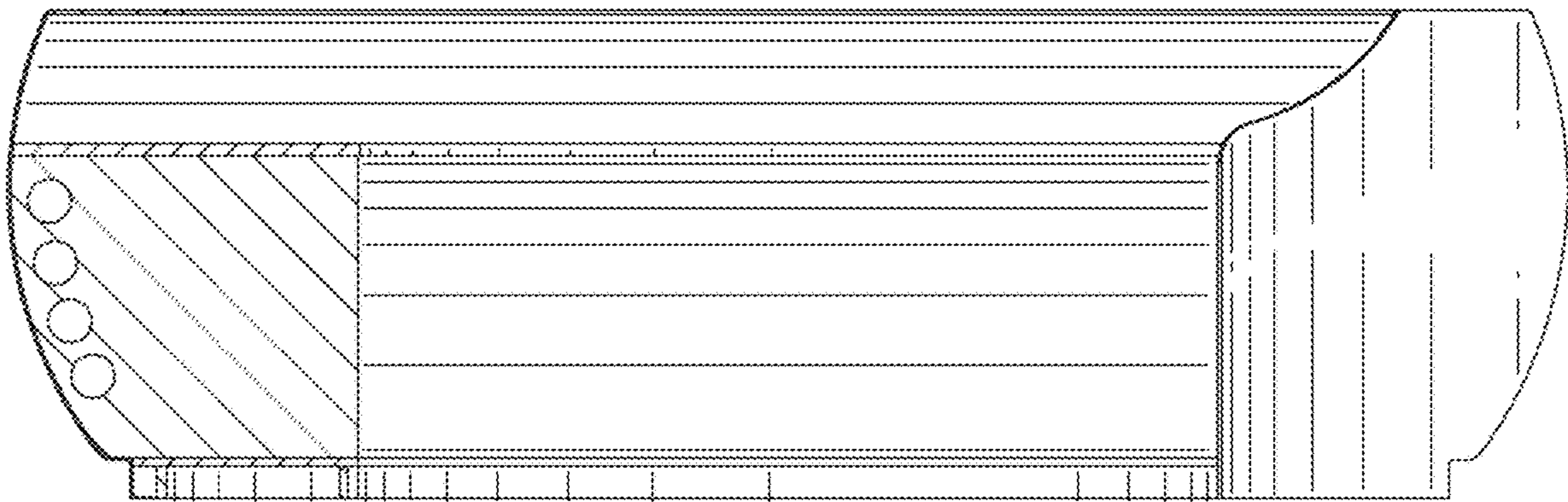


FIG. 8