



US00D885094S

(12) **United States Design Patent** (10) **Patent No.:** **US D885,094 S**
Cao (45) **Date of Patent:** **** May 26, 2020**

(54) **VACUUM STAND**
(71) Applicant: **SHENZHEN YIYI TECHNOLOGY CO., LTD.**, Shenzhen (CN)
(72) Inventor: **Jia Cao**, Shenzhen (CN)
(73) Assignee: **SHENZHEN YIYI TECHNOLOGY CO., LTD.**, Shenzhen (CN)

D856,426 S * 8/2019 Lim D20/10
D867,794 S * 11/2019 Nakamura D6/675
D869,883 S * 12/2019 Schaefer D6/675.2
D874,194 S * 2/2020 Pilat D6/682.6
D875,445 S * 2/2020 Wilfer D6/682
2012/0193487 A1 8/2012 Tsao
2017/0157727 A1 6/2017 Felton et al.

(**) Term: **15 Years**
(21) Appl. No.: **29/721,385**
(22) Filed: **Jan. 21, 2020**

(30) **Foreign Application Priority Data**

Jan. 10, 2020 (CN) 2020 3 0017777

(51) **LOC (12) Cl.** **06-06**
(52) **U.S. Cl.**
USPC **D6/682.2**

(58) **Field of Classification Search**
USPC D6/672, 673, 675, 678, 682, 682.1, D6/682.2, 682.3, 682.6
CPC A47B 57/30; A47F 3/00; A47F 5/0006; A47F 7/00; A47F 7/02; A47F 7/021; A47F 11/00; A47F 5/12; A47F 5/006; A47F 7/0035; A47G 29/00; A47G 29/08
See application file for complete search history.

(56) **References Cited**

U.S. PATENT DOCUMENTS

D251,048 S * 2/1979 Richman D20/19
D361,917 S * 9/1995 Dardashti D6/407
D581,700 S * 12/2008 DePace D6/675
D585,667 S * 2/2009 Levy D6/682.2
D688,072 S * 8/2013 Hennessey D6/682
D689,715 S * 9/2013 Wong D6/675.1
D782,227 S * 3/2017 Hepburn D6/674
D812,942 S * 3/2018 Pilat D6/682.6
D828,058 S * 9/2018 Khanicheh D6/681
D837,144 S * 1/2019 Nam D13/107

OTHER PUBLICATIONS

“Freestanding Dyson V6 V7 V8 V10 V11 DC59 Cordless Vacuum Cleaner Floor Stand—no Drilling the Wall”, Retrieved Jan. 20, 2020]. Retrieved from the Internet, https://www.amazon.co.uk/Freestanding-Dyson-Cordless-Vacuum-Cleaner/dp/B079SBSDBC/ref=sr_1_10?keywords=VACUUM+STAND&qid=1579510024&sr=8-10.

* cited by examiner

Primary Examiner — Kelley A Donnelly

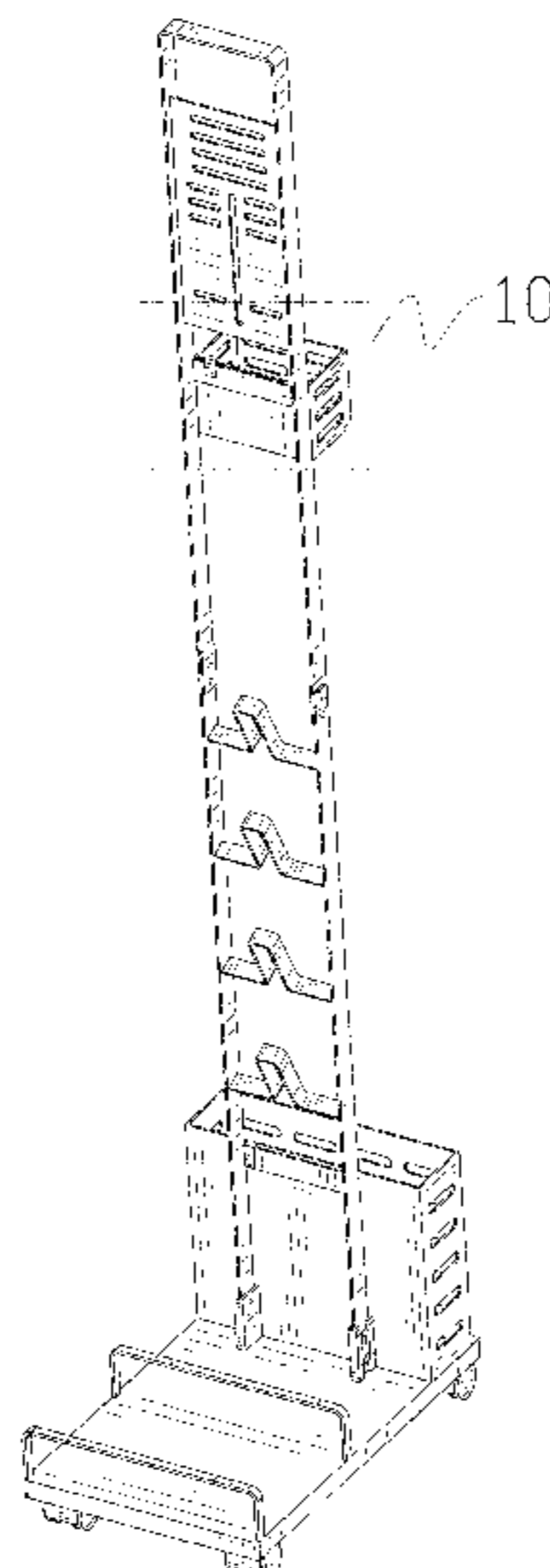
(57) **CLAIM**

The ornamental design for a vacuum stand, as shown and described.

DESCRIPTION

FIG. 1 is a perspective view of a vacuum stand showing my new design;
FIG. 2 is another perspective view thereof;
FIG. 3 is a front elevational view thereof;
FIG. 4 is a rear elevational view thereof;
FIG. 5 is a left side elevational view thereof;
FIG. 6 is a right side elevational view thereof;
FIG. 7 is a top plan view thereof;
FIG. 8 is a bottom plan view thereof;
FIG. 9 is an exploded perspective view of the vacuum stand;
FIG. 10 is an enlarged view of portion 10 shown in FIG. 1; and,
FIG. 11 is an enlarged view of portion 11 shown in FIG. 2.
The broken lines in the drawings depict portions of the vacuum stand that form no part of the claimed design.

1 Claim, 11 Drawing Sheets



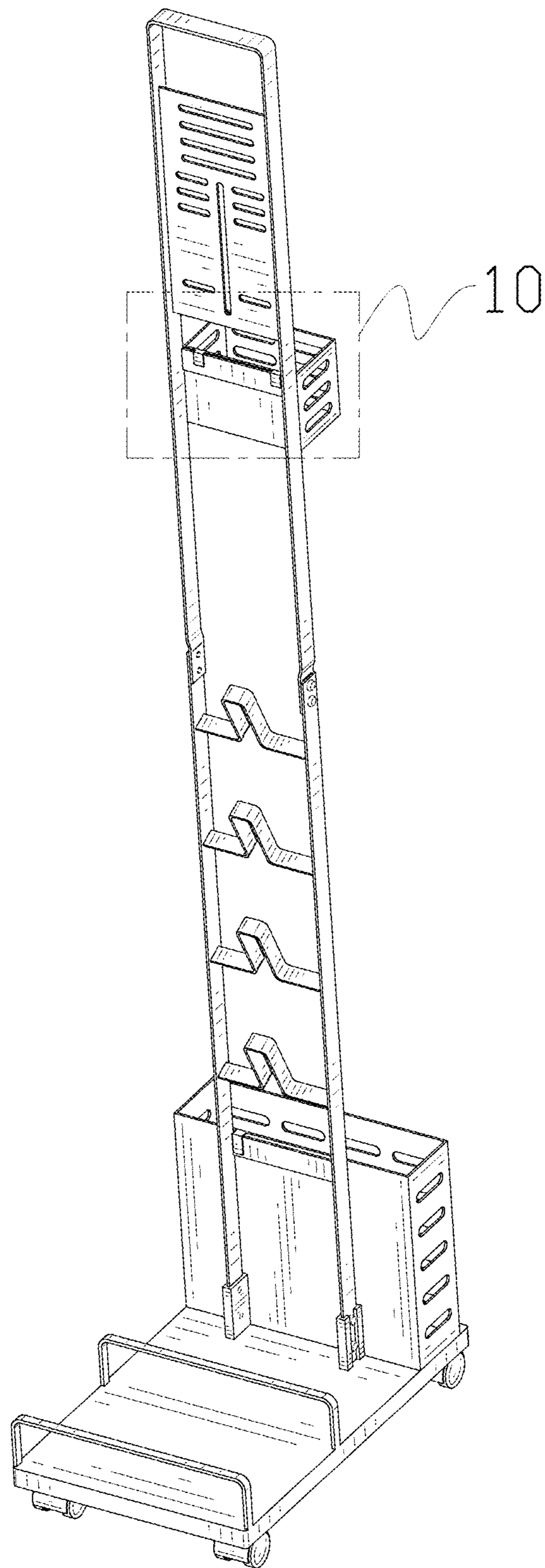


FIG. 1

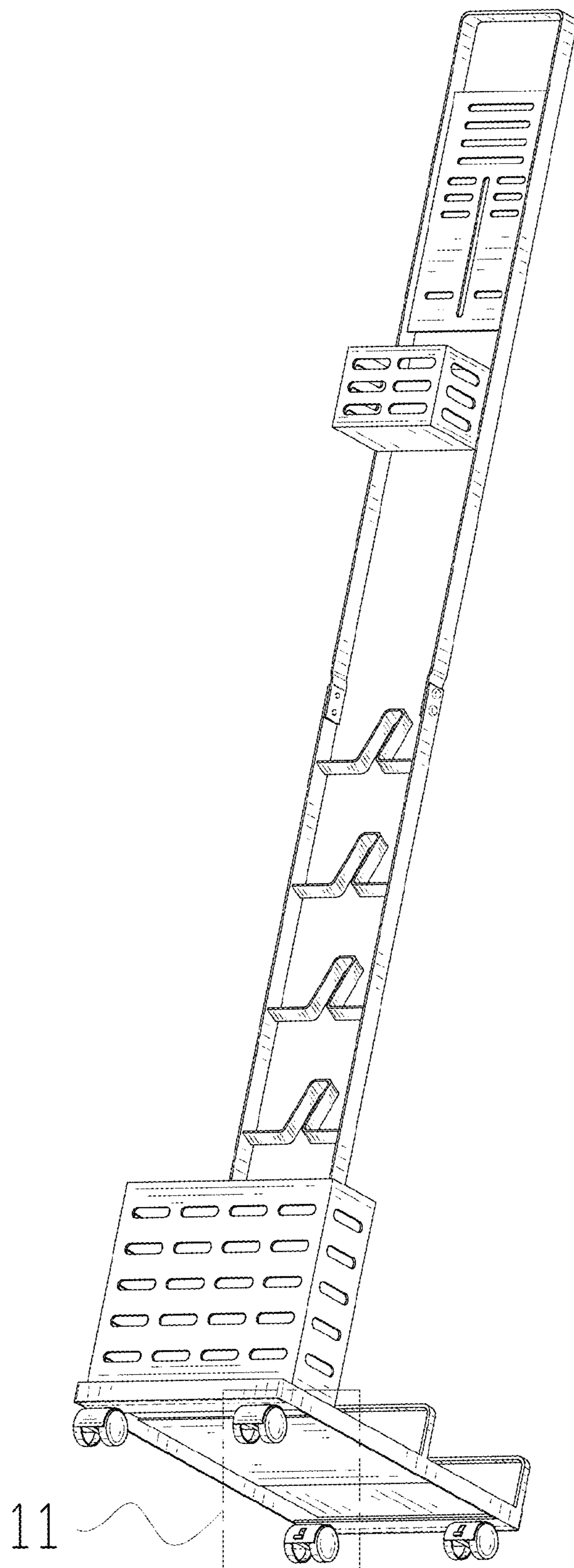


FIG. 2

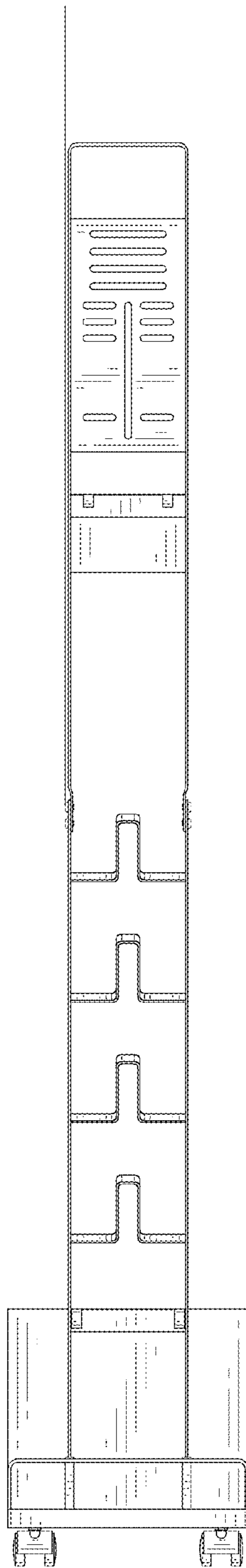


FIG. 3

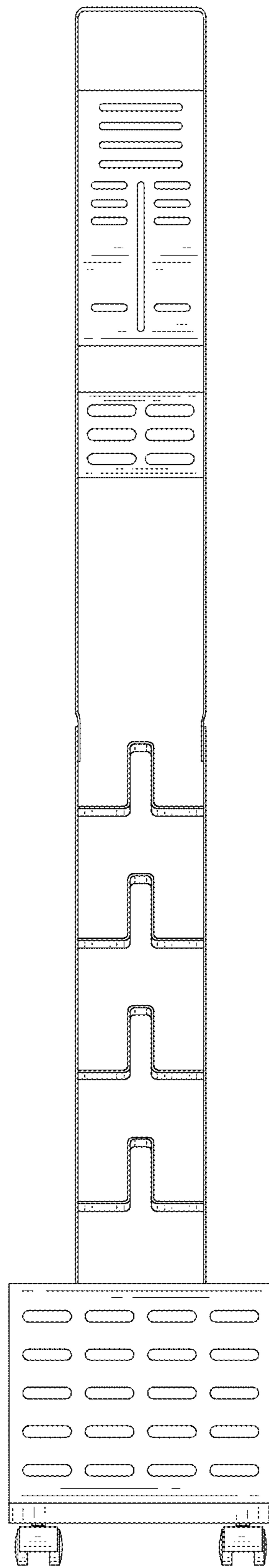


FIG. 4

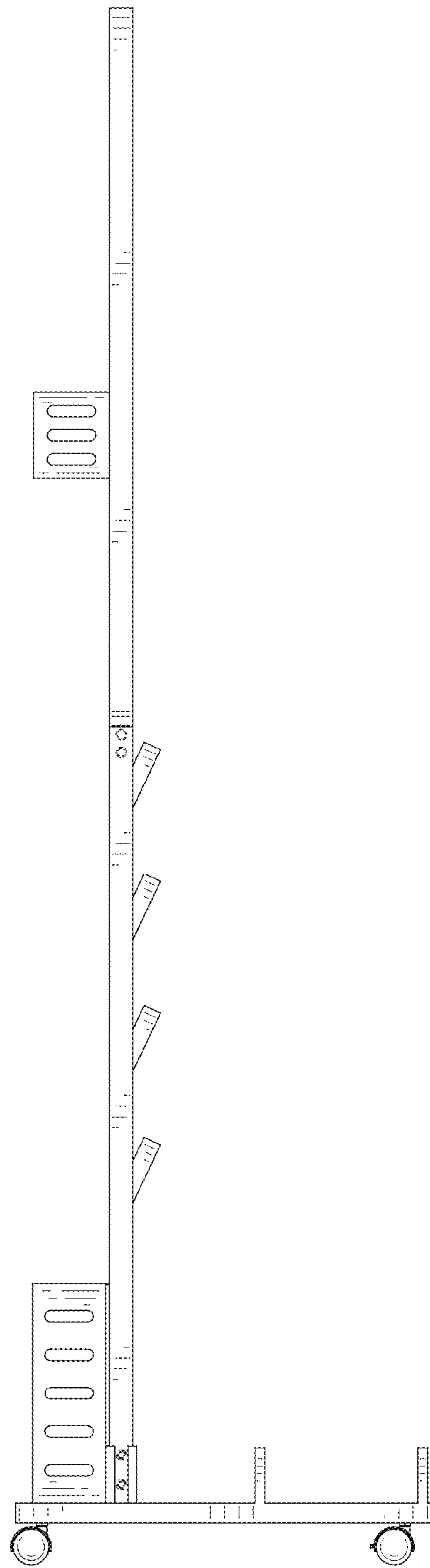


FIG. 5

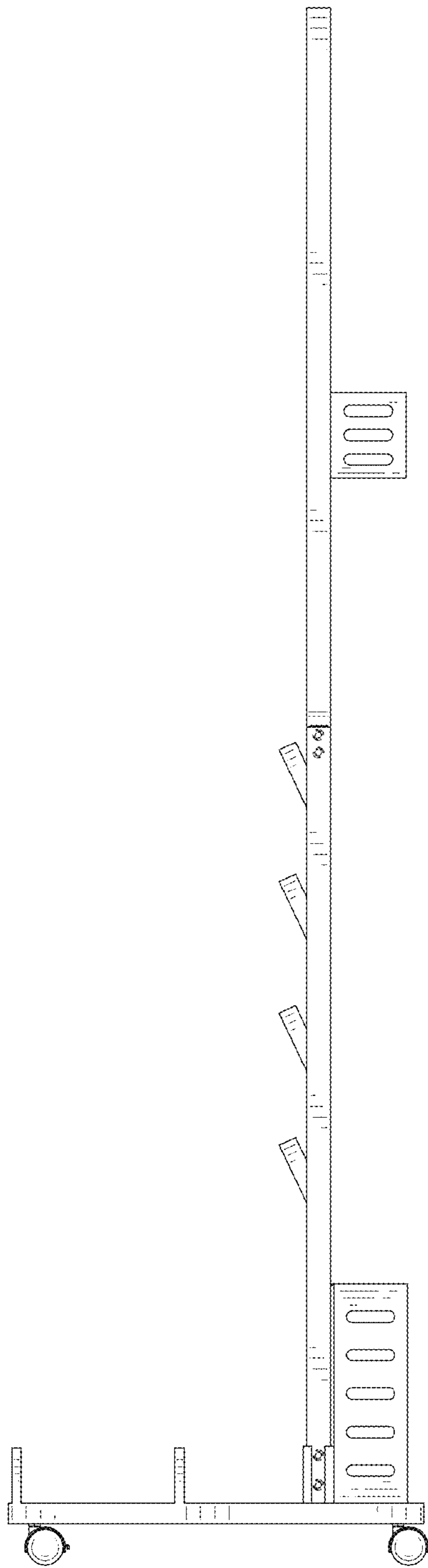


FIG. 6

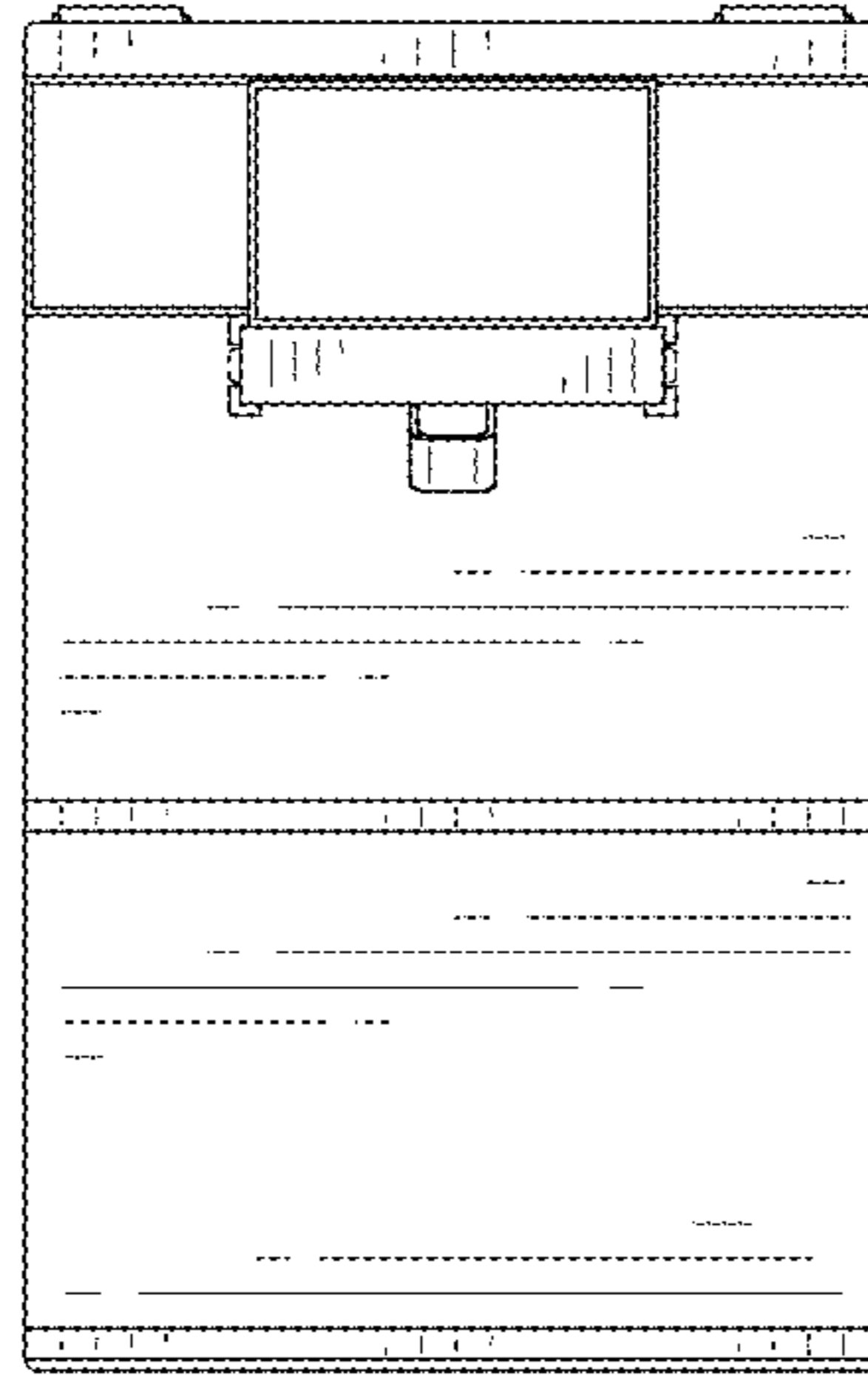


FIG. 7

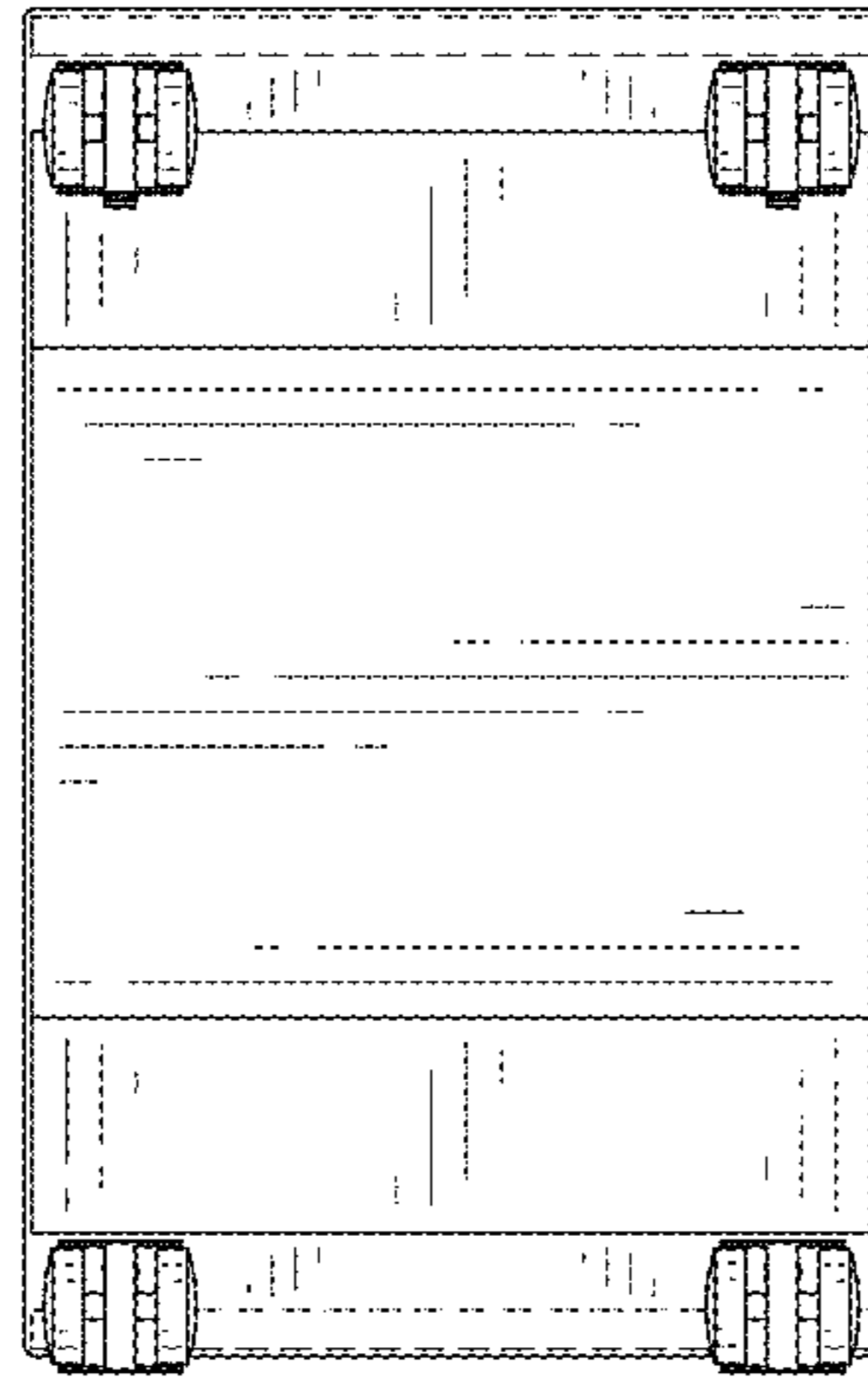


FIG. 8

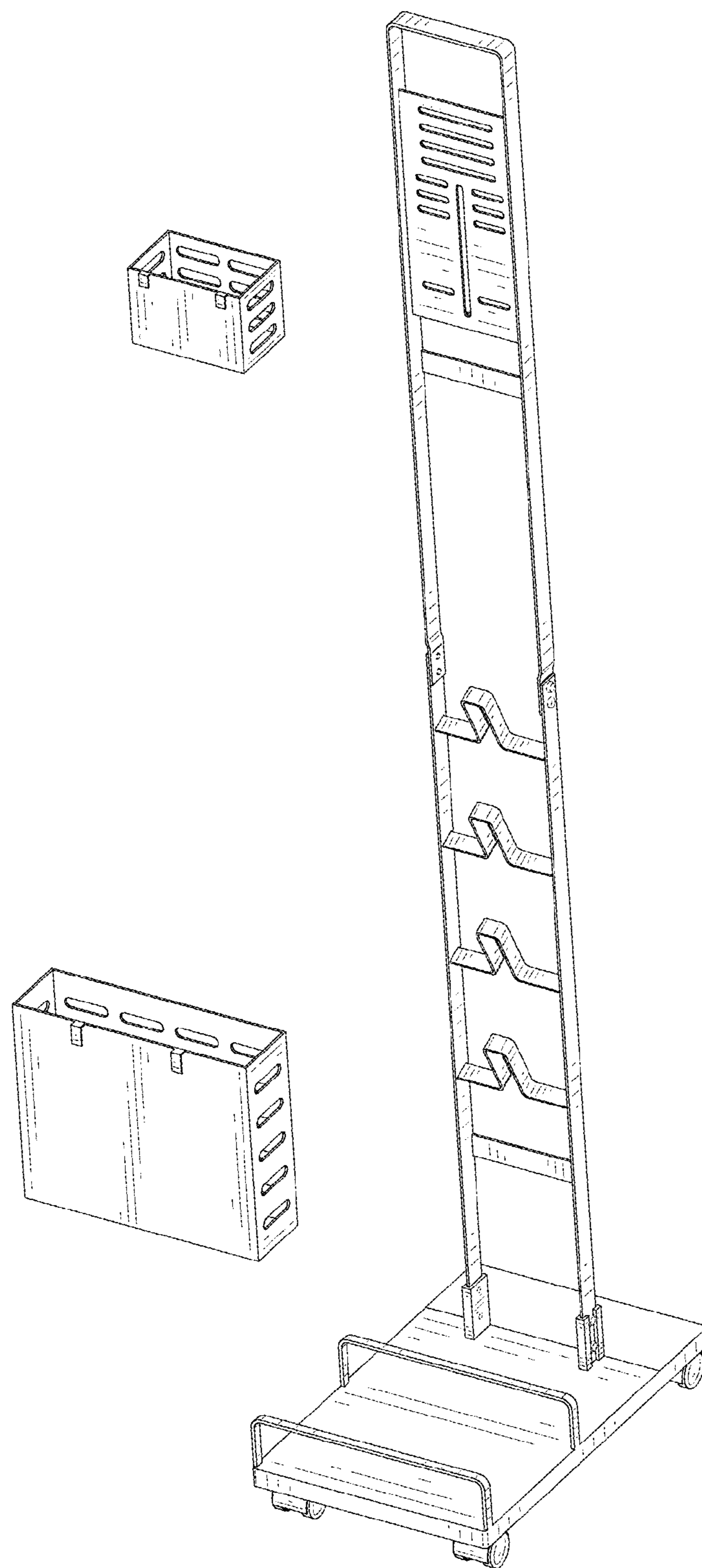


FIG. 9

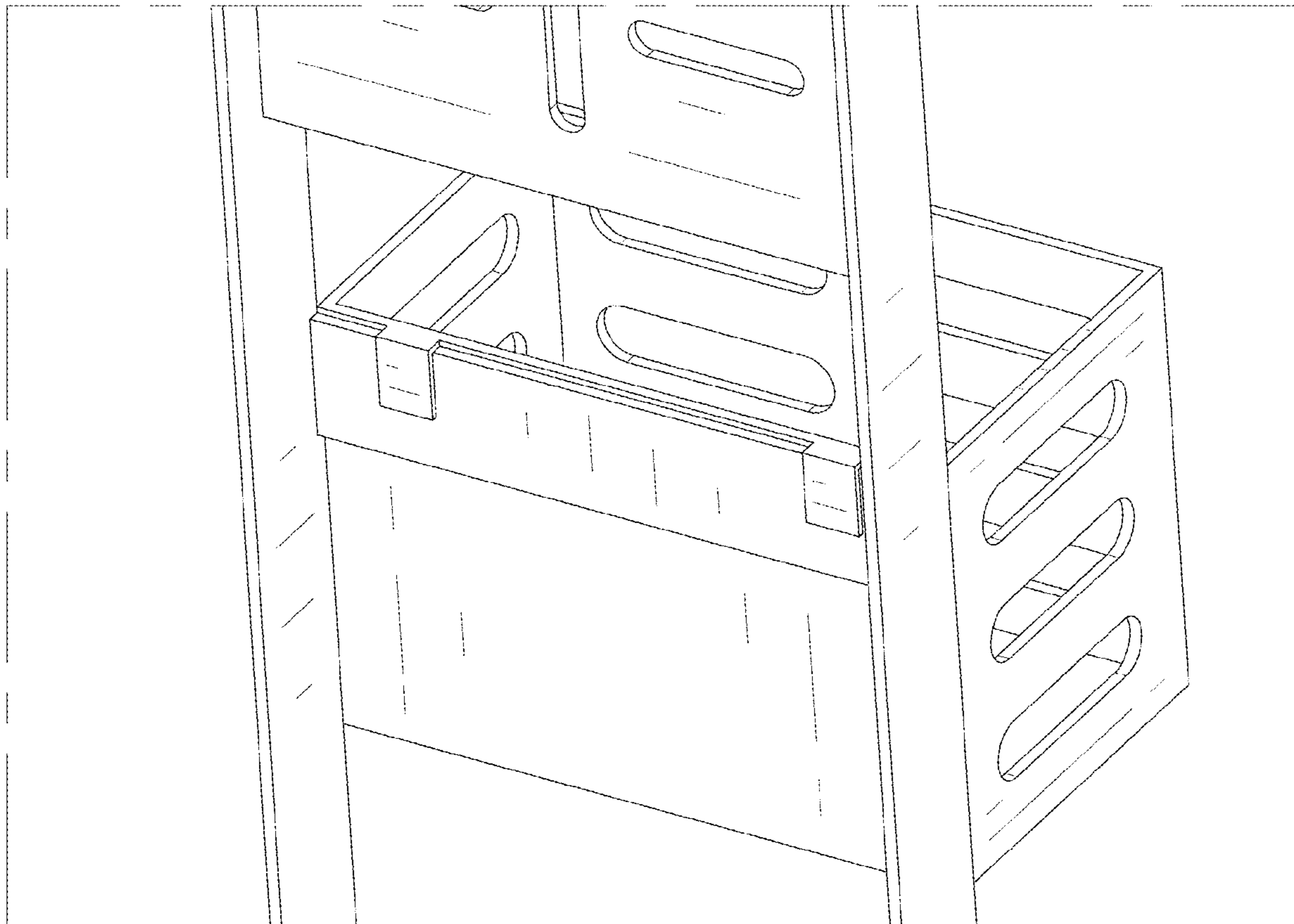


FIG. 10

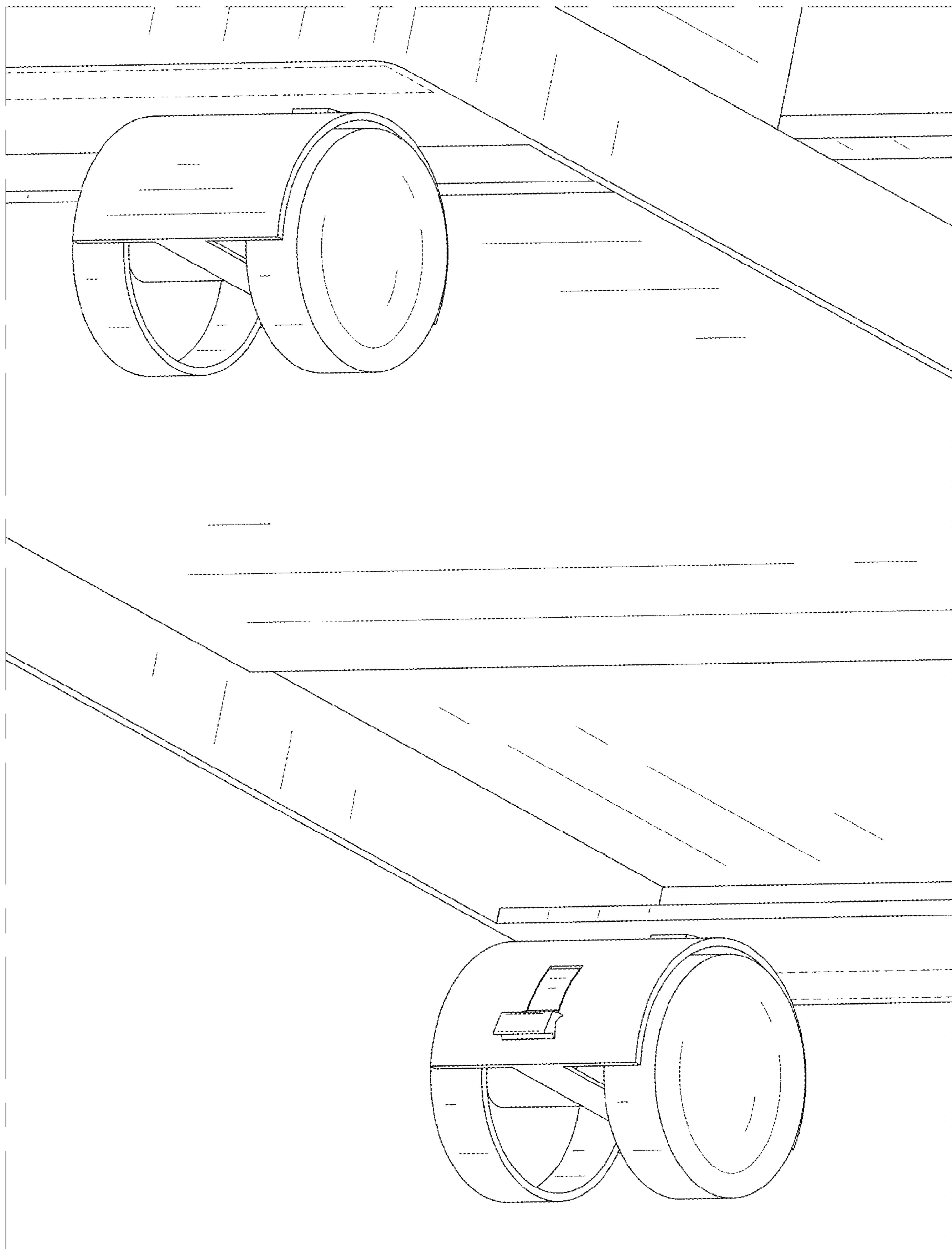


FIG. 11