



US00D885093S

(12) **United States Design Patent** (10) **Patent No.:** **US D885,093 S**
Gelman (45) **Date of Patent:** **** May 26, 2020**

(54) **CORNER SHELF UNIT**

(71) Applicant: **E&T HORIZONS LIMITED LIABILITY COMPANY**, Melbourne, FL (US)

(72) Inventor: **Eric Gelman**, Melbourne, FL (US)

(73) Assignee: **E&T HORIZONS LIMITED LIABILITY COMPANY**, Melbourne, FL (US)

(**) Term: **15 Years**

(21) Appl. No.: **29/655,141**

(22) Filed: **Jun. 29, 2018**

(51) **LOC (12) Cl.** **06-06**

(52) **U.S. Cl.**
USPC **D6/676.1**

(58) **Field of Classification Search**
USPC D6/672, 673, 677, 677.1, 702, 705, 512;
D7/601, 602
CPC A47J 47/16; A47G 19/02; A47G 23/06;
A47F 5/0018; A47F 5/0043; A47F 5/04;
B65D 1/00; B65D 99/008
See application file for complete search history.

(56) **References Cited**

U.S. PATENT DOCUMENTS

D82,082 S *	9/1930	Finch	D6/676.1
D91,769 S *	3/1934	Duval	D6/676.1
D183,617 S *	9/1958	Klein	D6/676.1
D304,398 S *	11/1989	Goetz	D6/676.1
D307,083 S *	4/1990	Knudsen	D6/676.1
D314,477 S *	2/1991	Richter	D6/676.1

(Continued)

Primary Examiner — Kelley A Donnelly

(74) *Attorney, Agent, or Firm* — Mark Malek; Widerman Malek, PL

(57) **CLAIM**

The ornamental design for a corner shelf unit, as shown and described.

DESCRIPTION

FIG. 1 is a front perspective view of a corner shelf unit according to the present invention.

FIG. 2 is a front elevation view of the corner shelf unit illustrated in FIG. 1.

FIG. 3 is a rear elevation view of the corner shelf unit illustrated in FIG. 1.

FIG. 4 is a side elevation view of the corner shelf unit illustrated in FIG. 1.

FIG. 5 is another side elevation view of the corner shelf unit illustrated in FIG. 1.

FIG. 6 is a top plan view of the corner shelf unit illustrated in FIG. 1.

FIG. 7 is a bottom plan view of the corner shelf unit illustrated in FIG. 1.

FIG. 8 is a front perspective view of a corner shelf unit according to another embodiment of the present invention.

FIG. 9 is a front elevation view of the corner shelf unit illustrated in FIG. 8.

FIG. 10 is a rear elevation view of the corner shelf unit illustrated in FIG. 8.

FIG. 11 is a side elevation view of the corner shelf unit illustrated in FIG. 8.

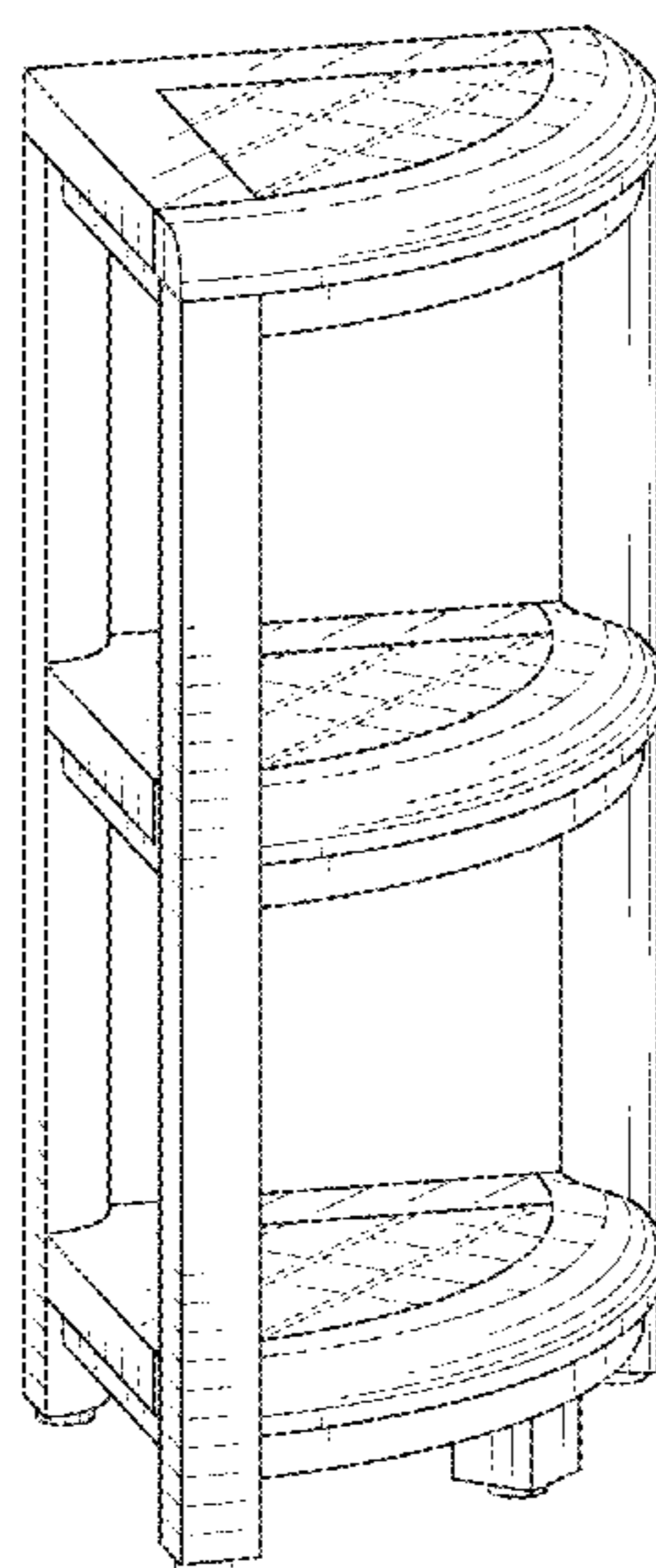
FIG. 12 is another side elevation view of the corner shelf unit illustrated in FIG. 8.

FIG. 13 is a top plan view of the corner shelf unit illustrated in FIG. 8; and,

FIG. 14 is a bottom plan view of the corner shelf unit illustrated in FIG. 8.

The broken lines in FIGS. 1-7 depict slats in each shelf of the corner shelf unit that form no part of the claimed invention. The broken lines in FIGS. 8-14 depict slats in each shelf of the corner shelf unit arranged in a different configuration than the slats of each shelf of the corner shelf unit illustrated in FIGS. 1-7 and form no part of the claimed invention.

1 Claim, 10 Drawing Sheets



(56)

References Cited

U.S. PATENT DOCUMENTS

D321,296 S	*	11/1991	Miranda	D6/676.1
D325,137 S	*	4/1992	Porter	D6/676.1
D339,485 S	*	9/1993	James	D6/676.1
D382,733 S	*	8/1997	Goetz	D6/676.1
D454,266 S	*	3/2002	Kelley	D6/676.1
D516,846 S	*	3/2006	Stenhouse	D6/676.1
D701,714 S	*	4/2014	Gelman	D6/562
D713,181 S	*	9/2014	Cohen	D6/676.1
D716,083 S	*	10/2014	Hsu	D6/678.4
D727,043 S	*	4/2015	Cohen	D6/349
D761,600 S	*	7/2016	Hsu	D6/678.1
D818,746 S	*	5/2018	Carder	D6/677.1
D851,421 S	*	6/2019	Asselmann	D6/525
D861,397 S	*	10/2019	Cohen	D6/676.1

* cited by examiner

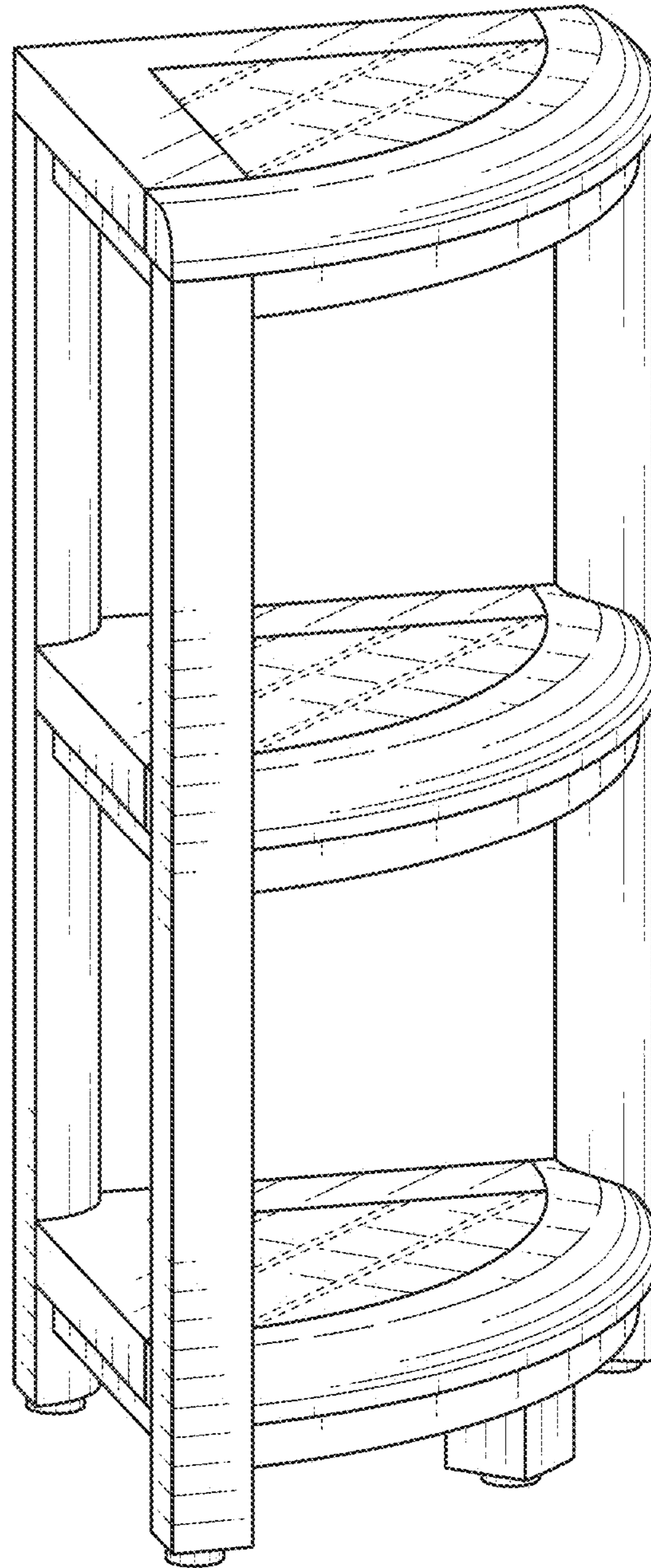


FIG. 1

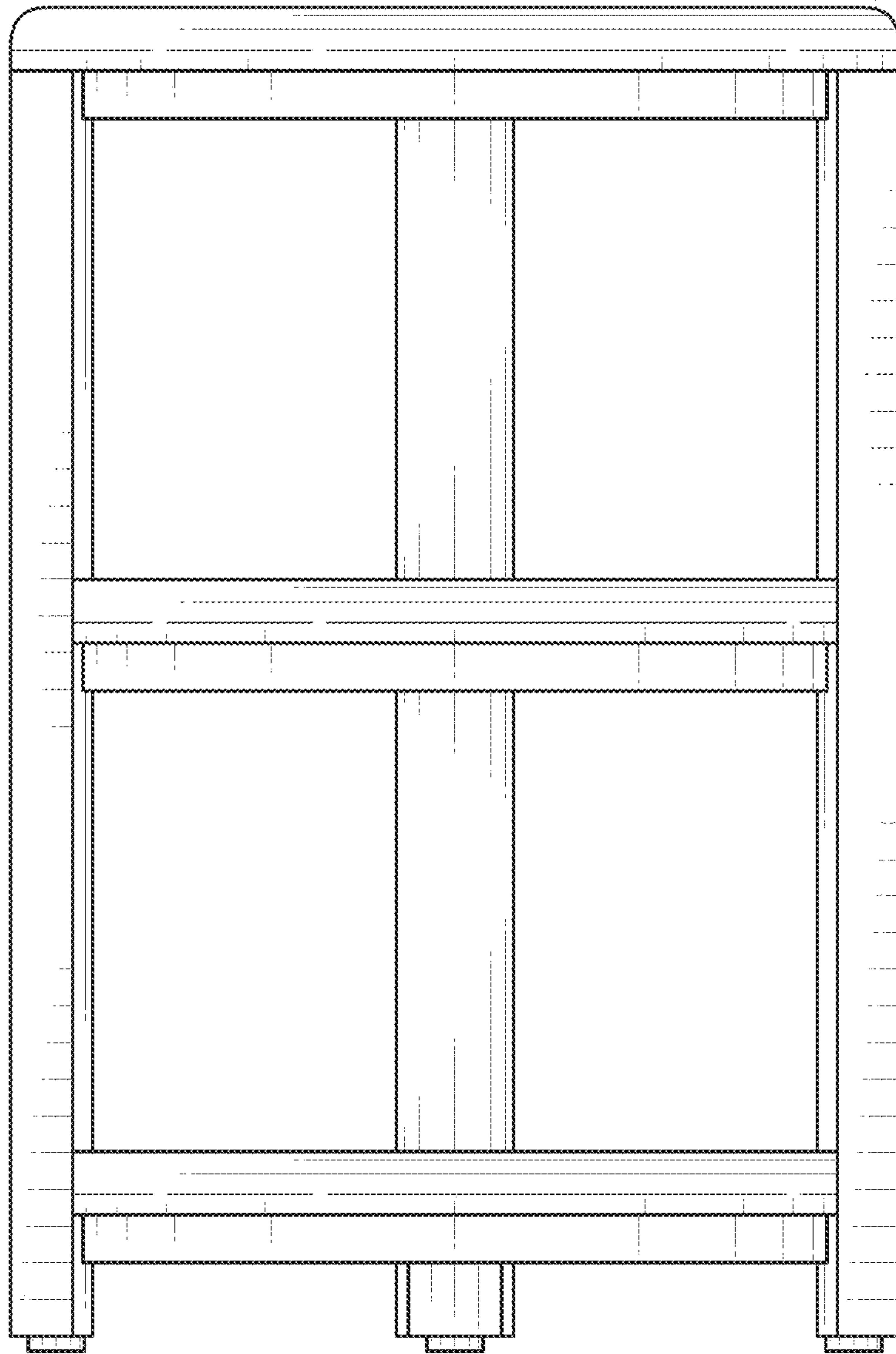


FIG. 2

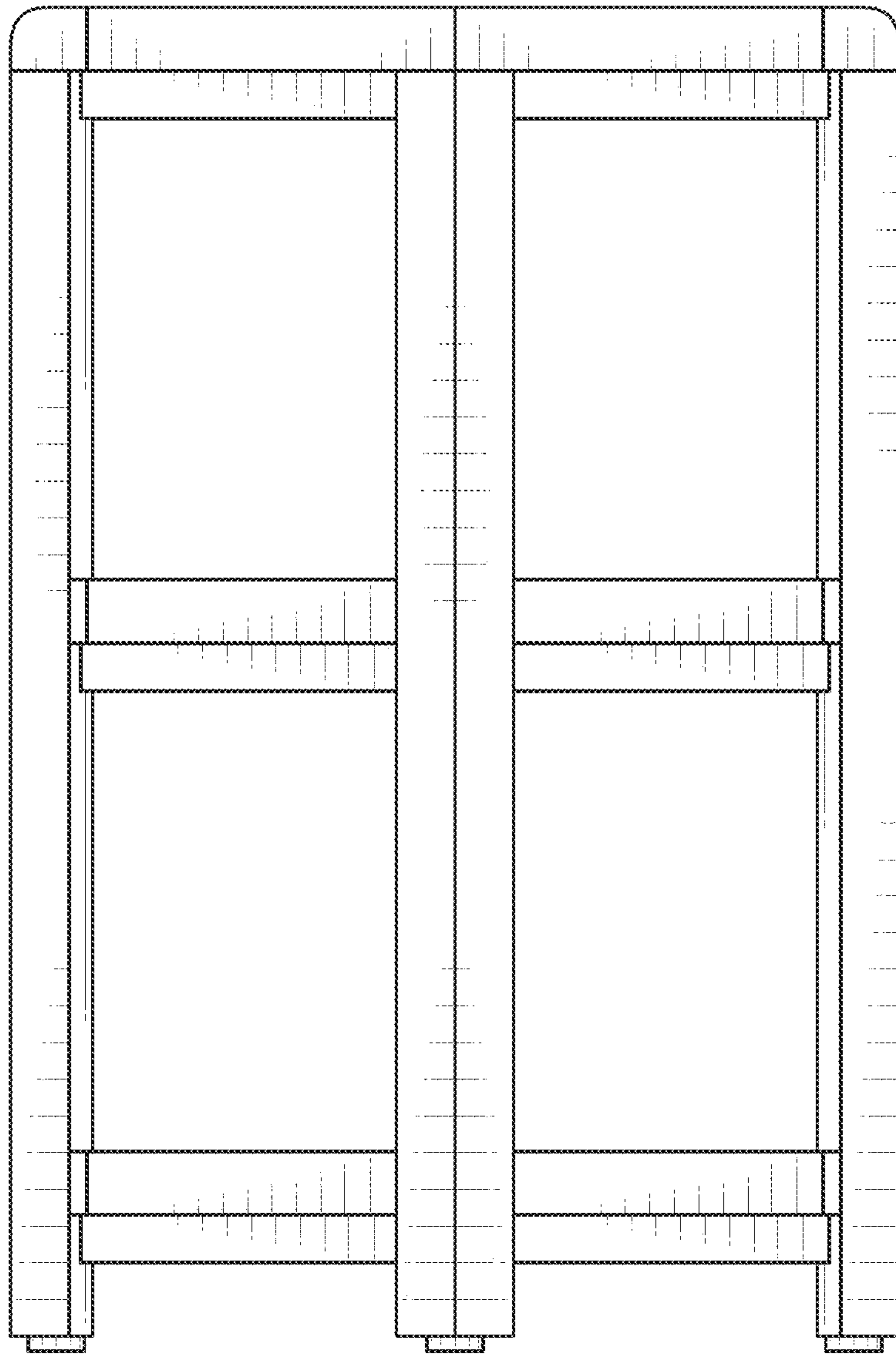


FIG. 3

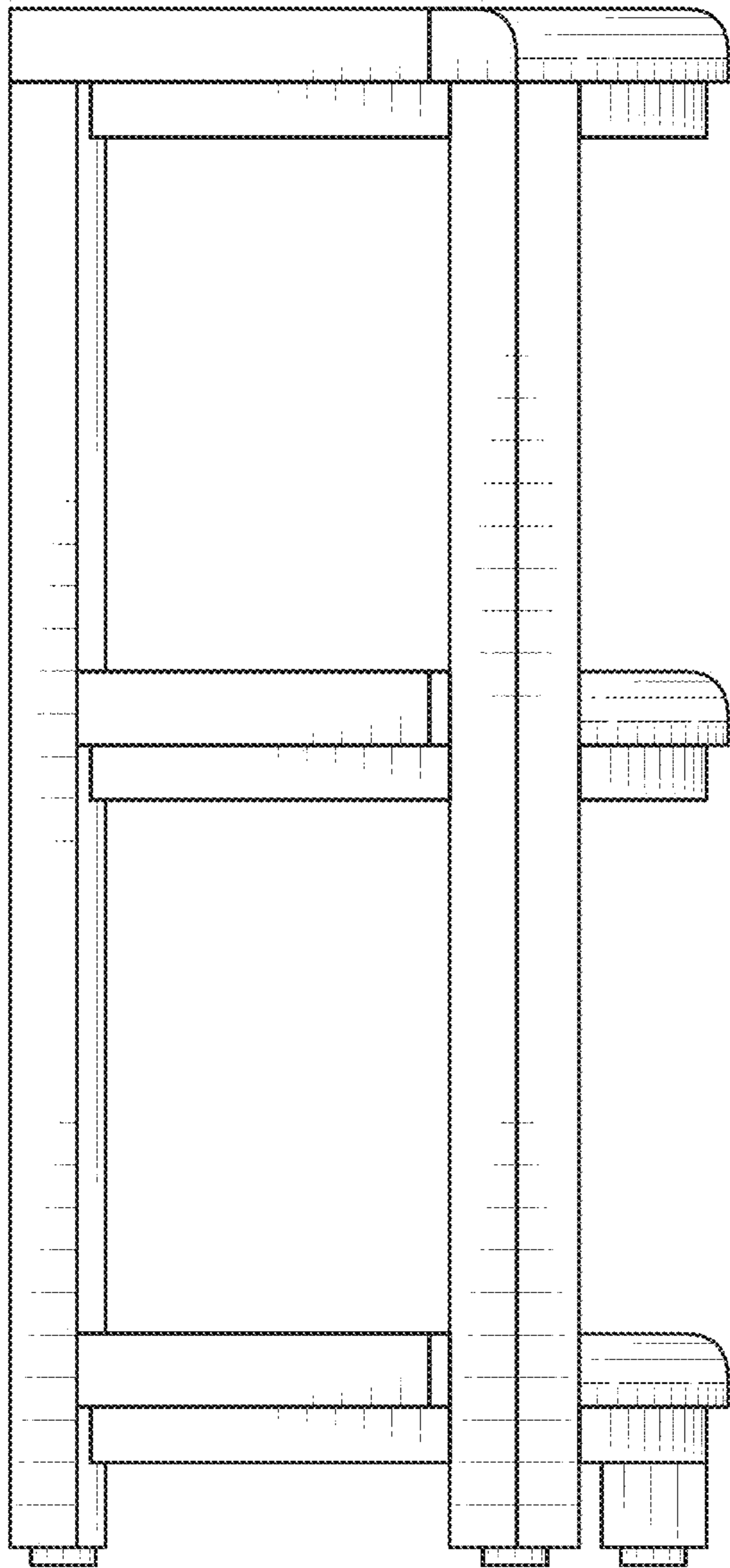


FIG. 4

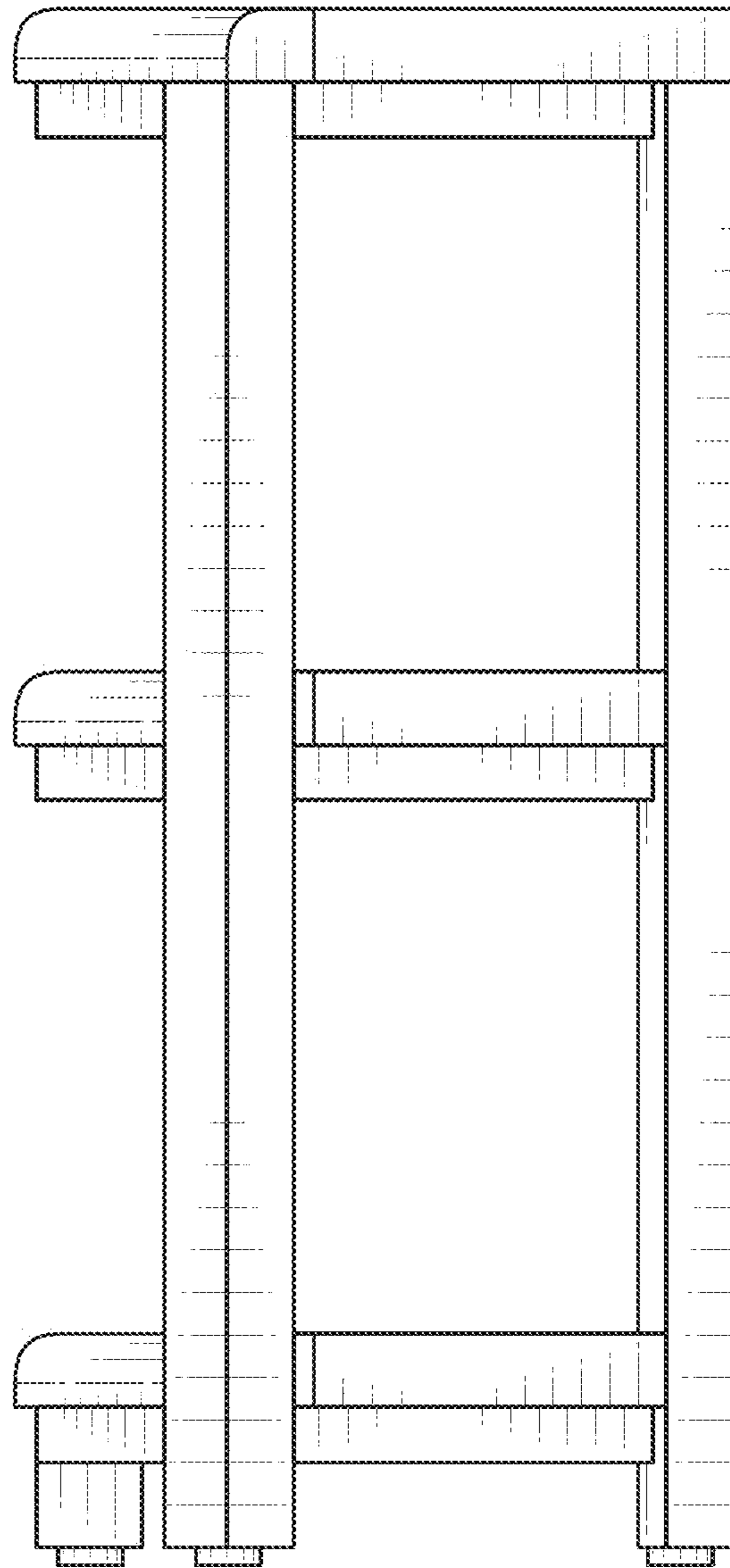


FIG. 5

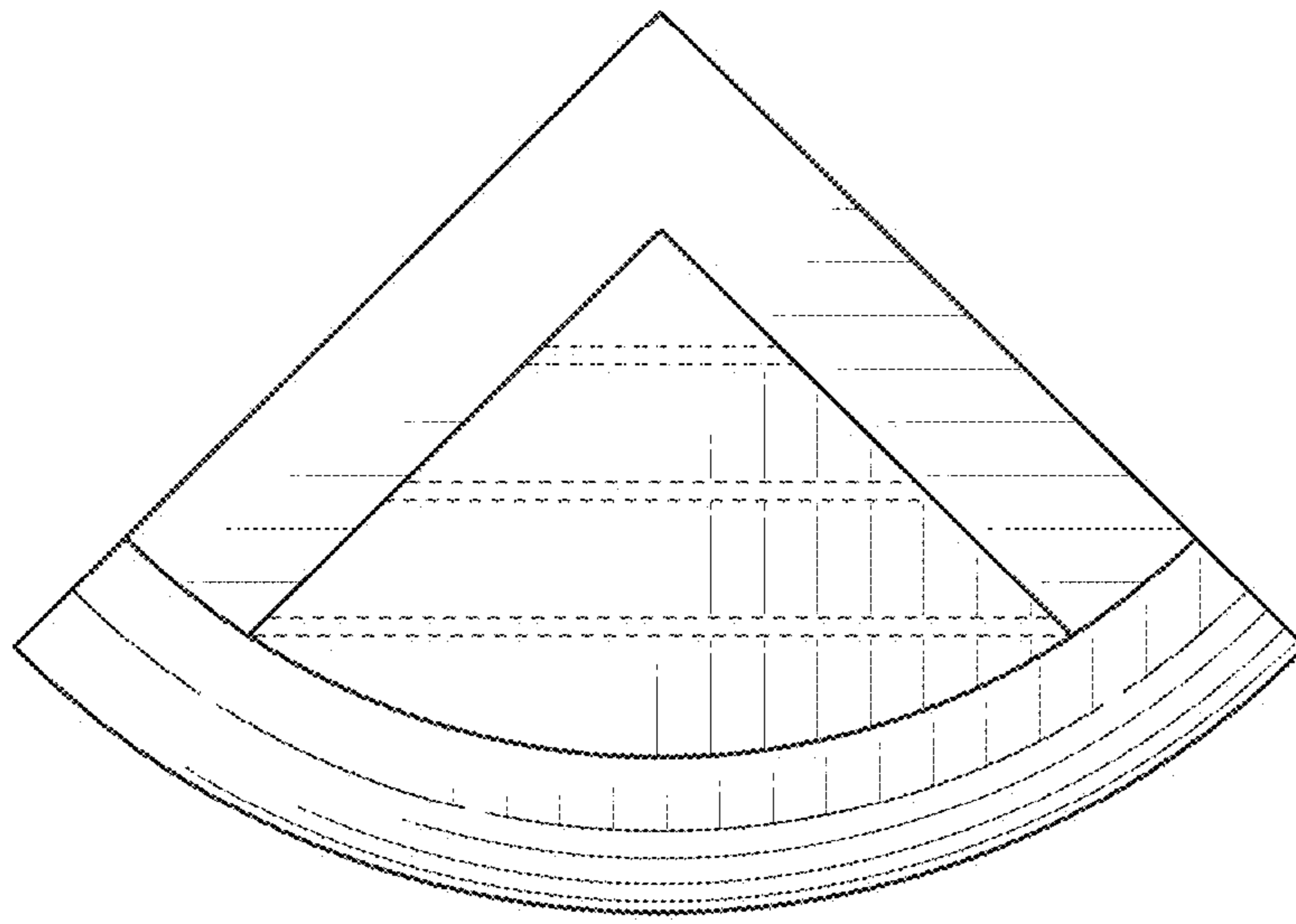


FIG. 6

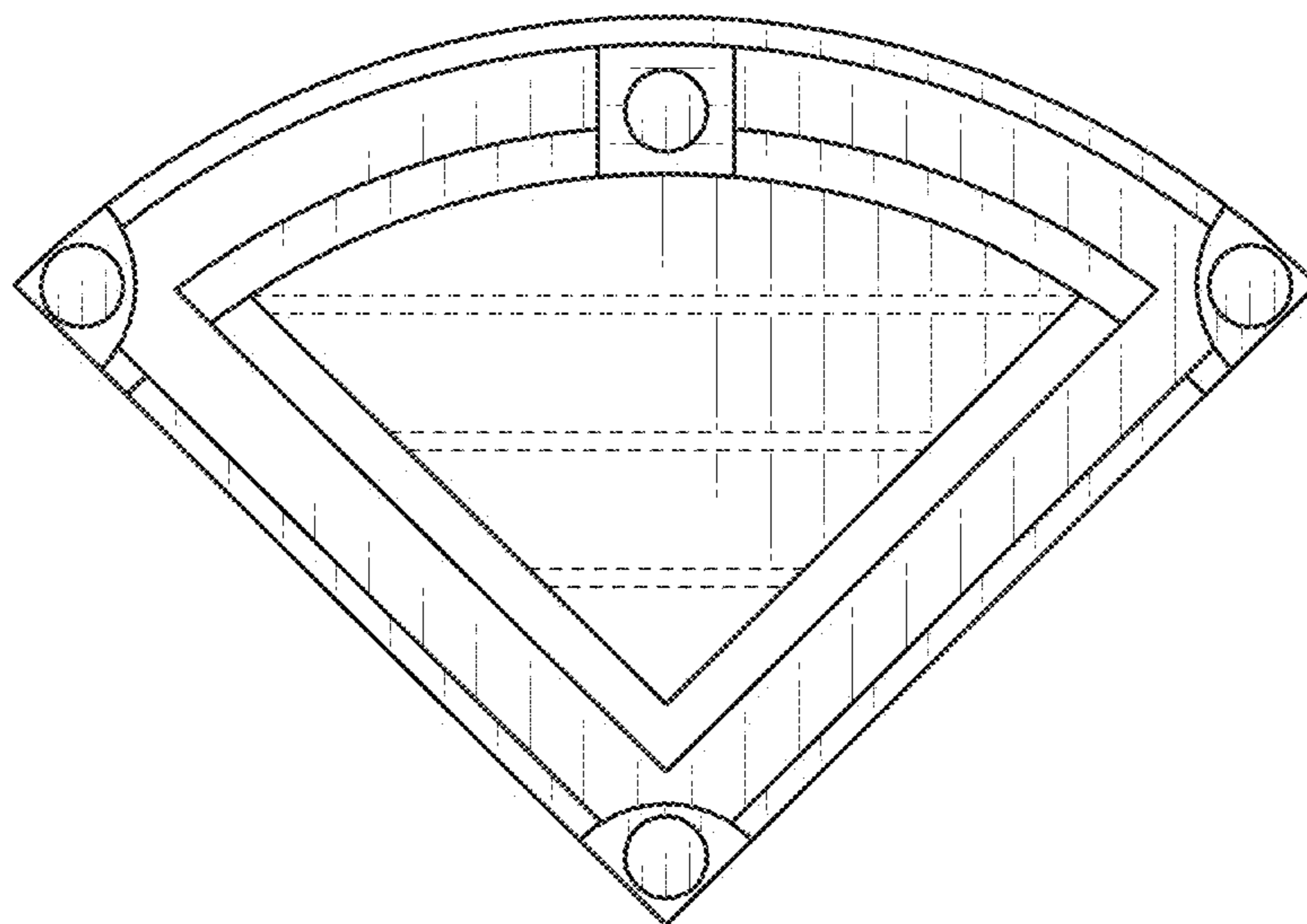


FIG. 7

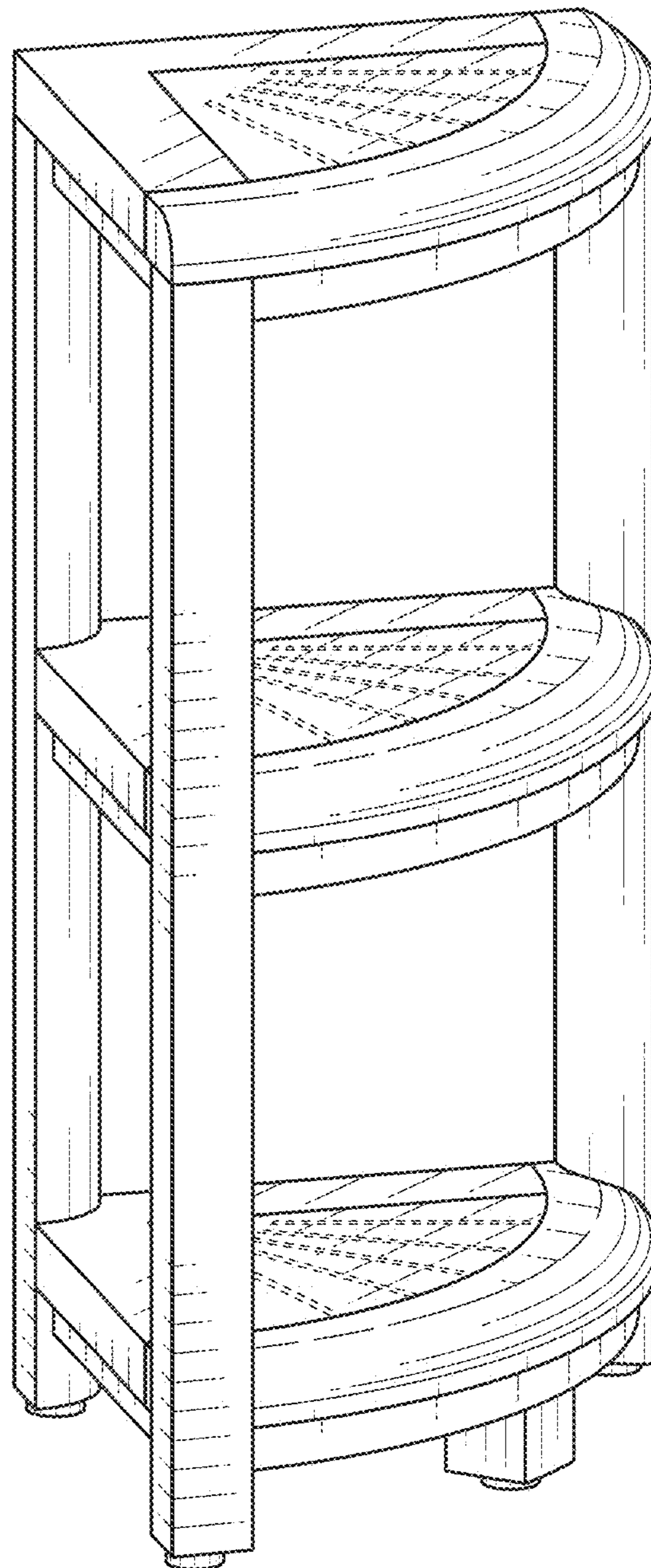


FIG. 8

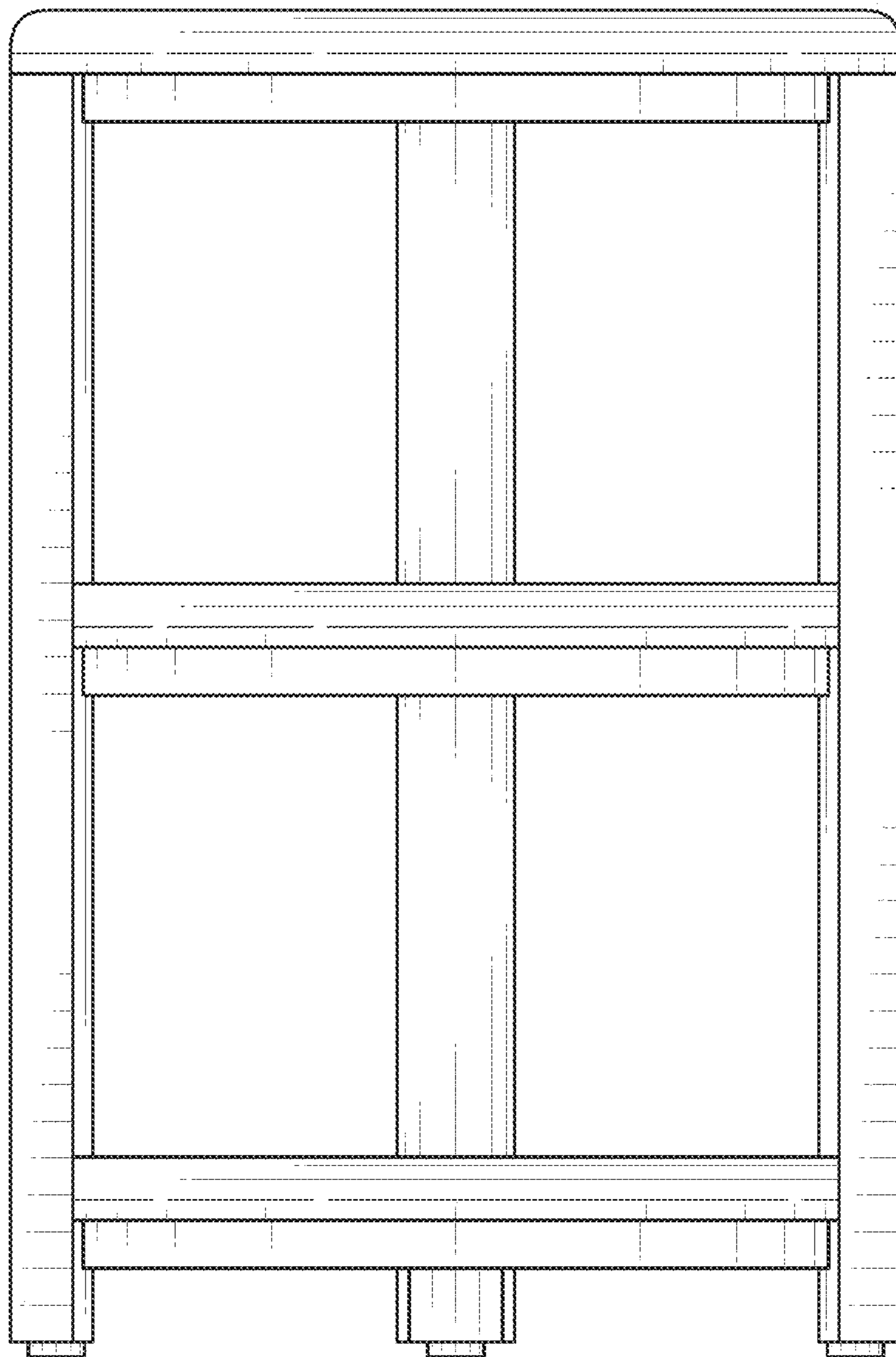


FIG. 9

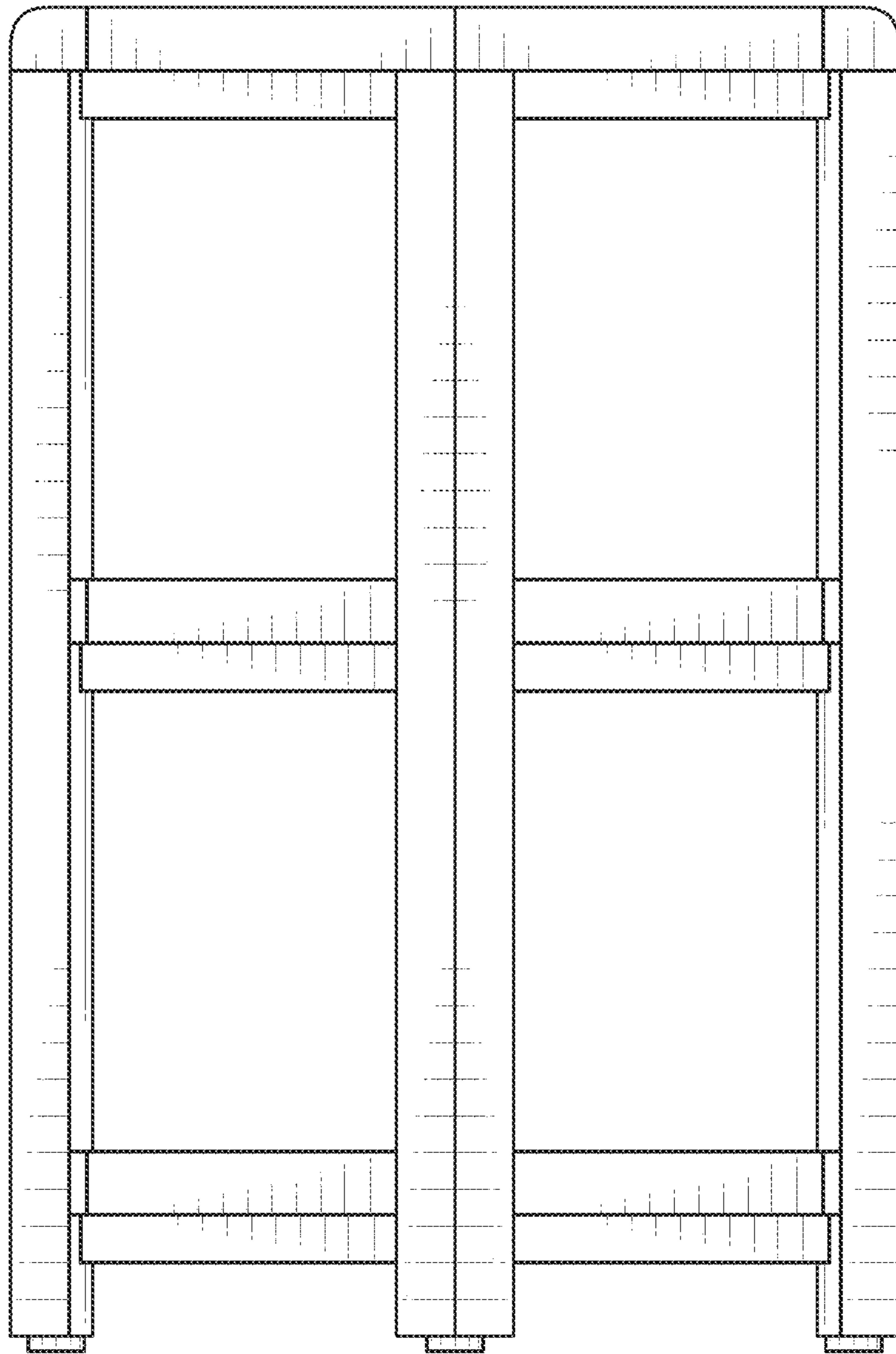


FIG. 10

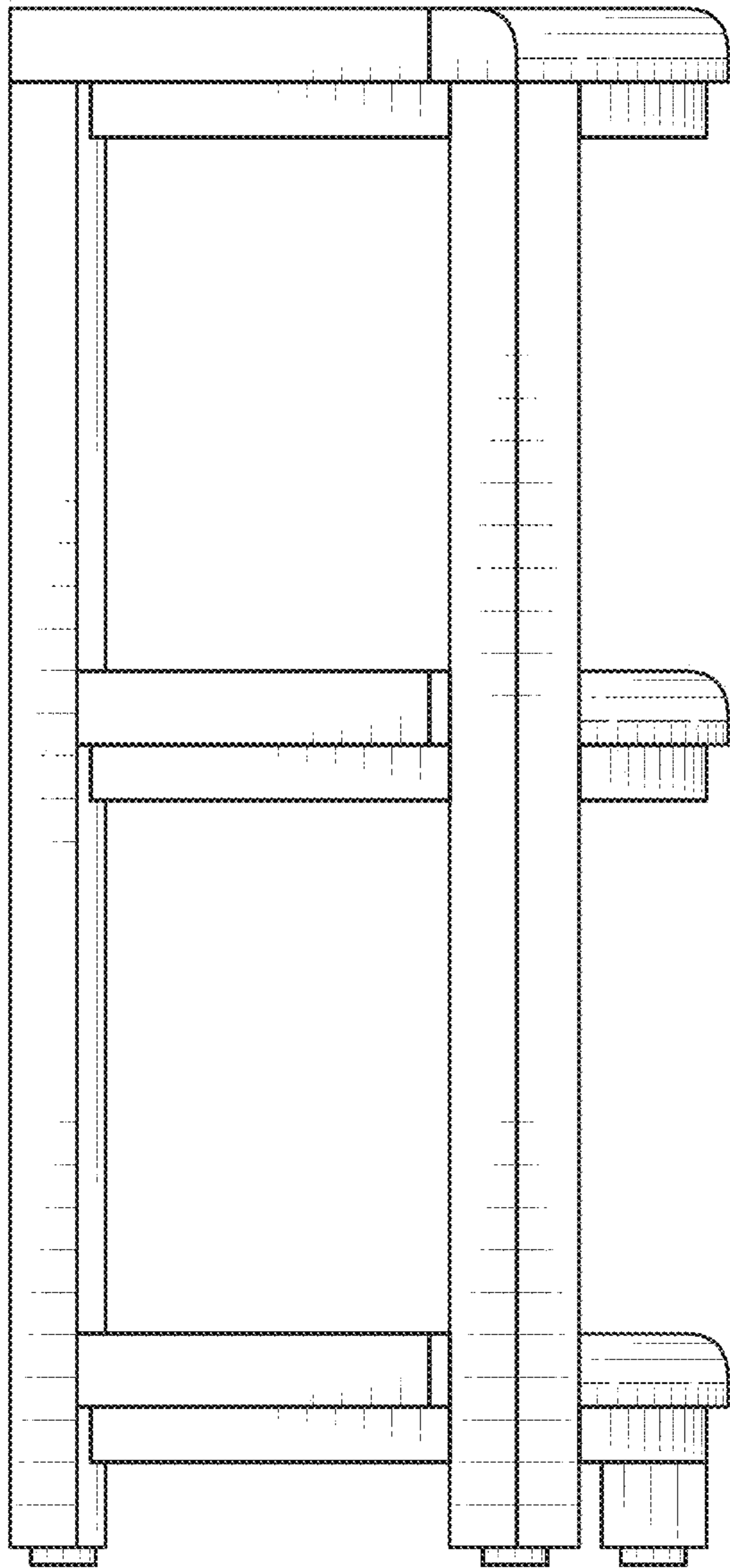


FIG. 11

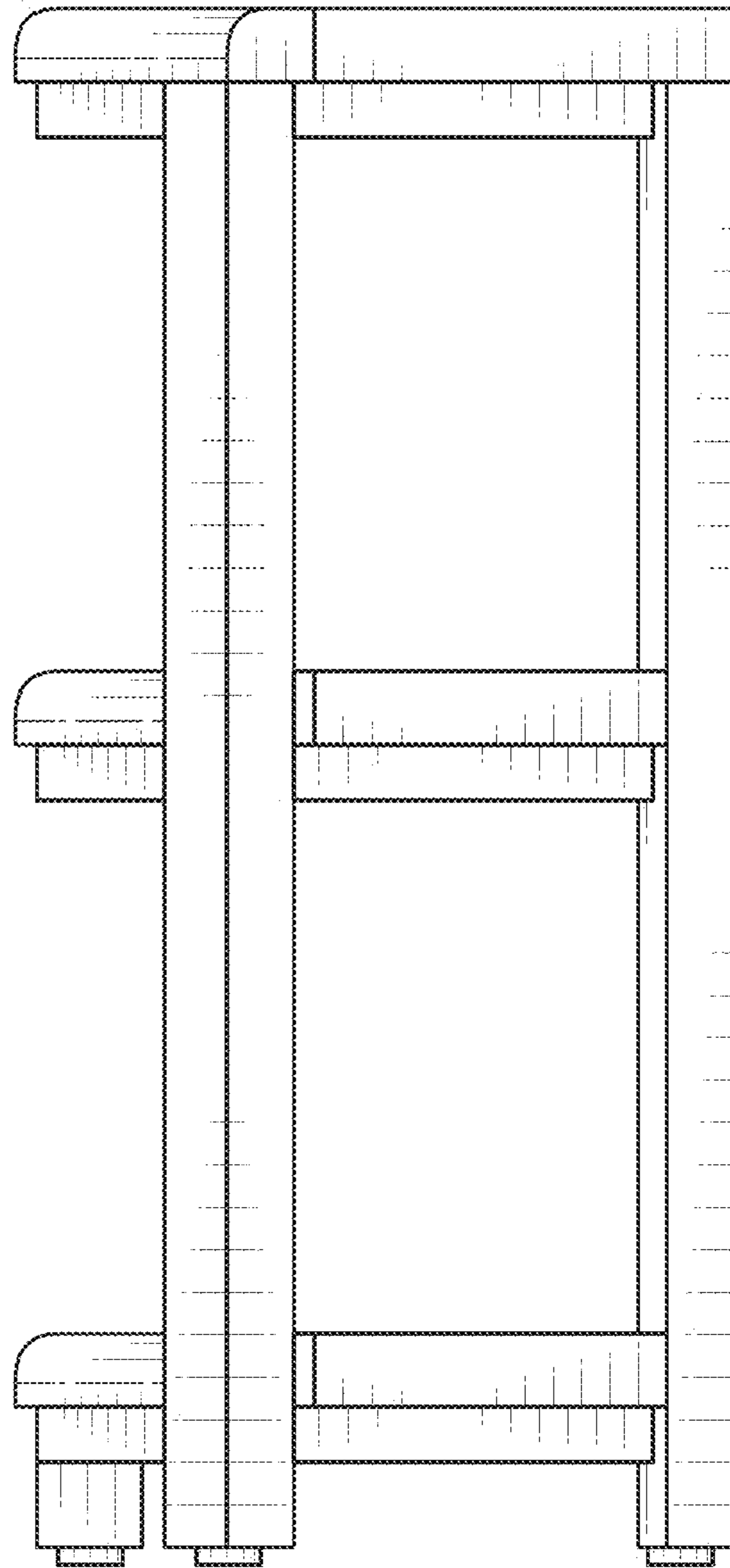


FIG. 12

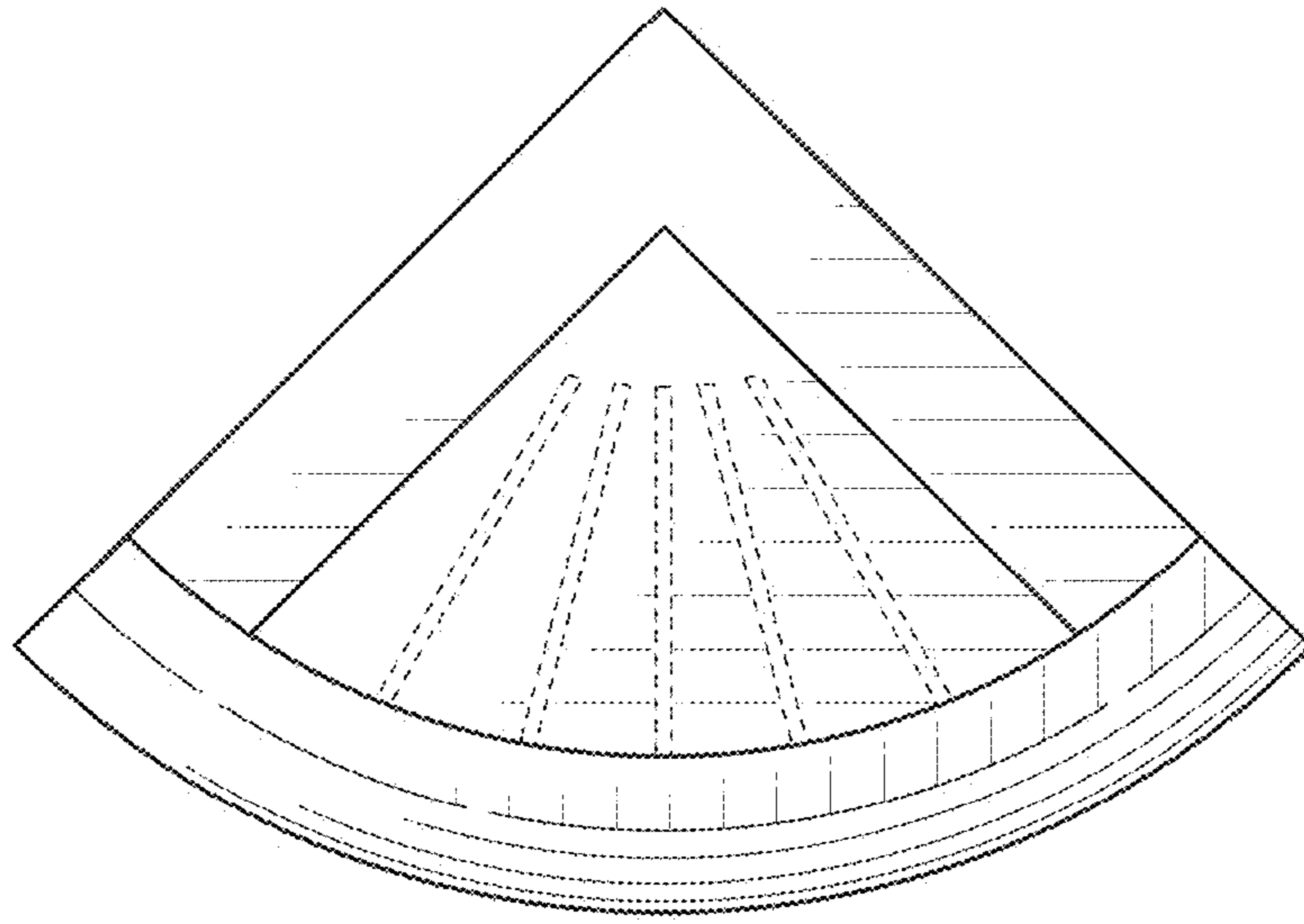


FIG. 13

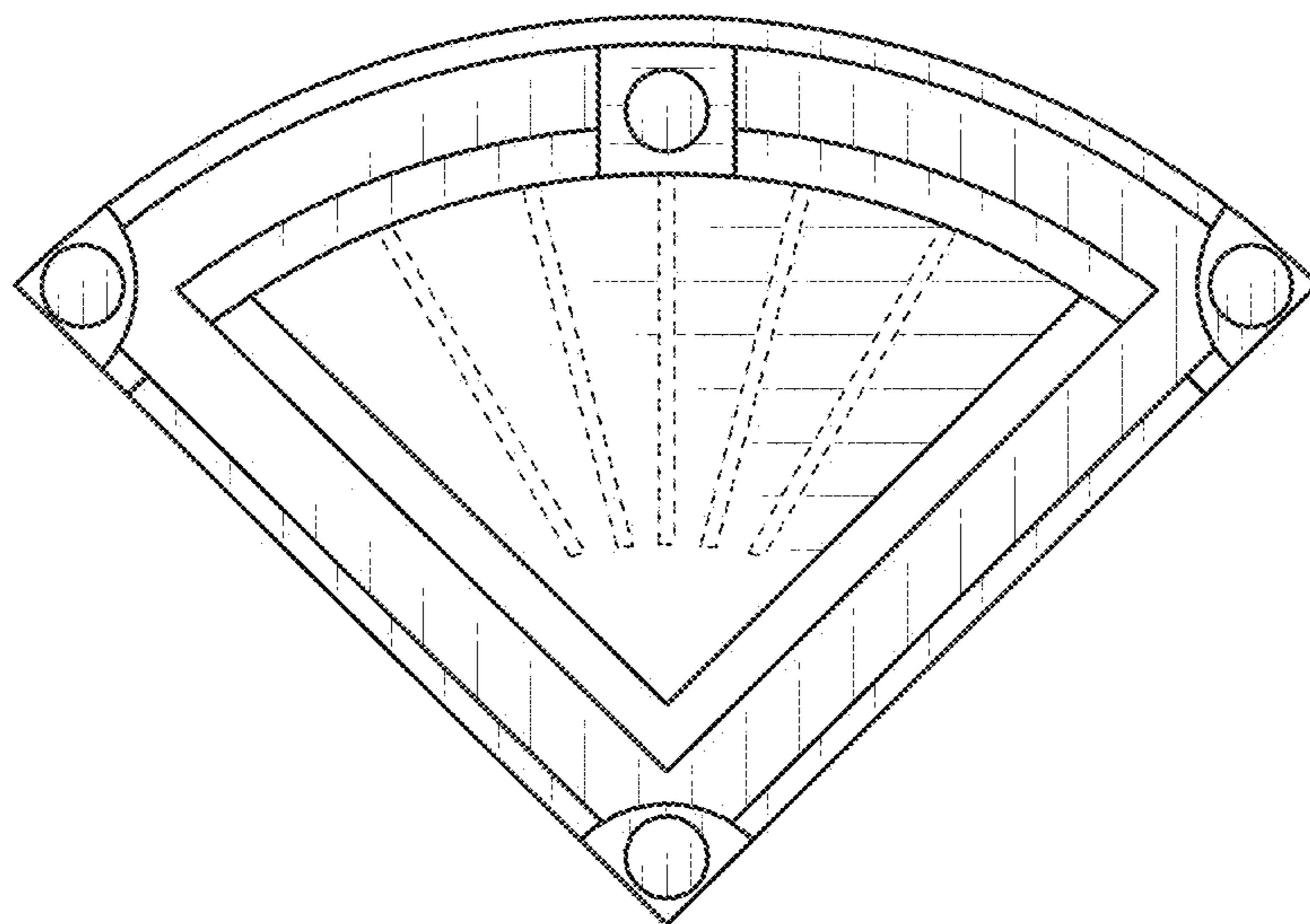


FIG. 14