



US00D885092S

(12) **United States Design Patent** (10) **Patent No.:** **US D885,092 S**  
**Greenwood** (45) **Date of Patent:** **\*\* May 26, 2020**

(54) **EXPANDABLE SHELF STEPS**  
(71) Applicant: **YouCopia Products Inc.**, Chicago, IL (US)  
(72) Inventor: **Mark Greenwood**, Arlington Heights, IL (US)  
(73) Assignee: **YOUCOPIA PRODUCTS INC.**, Chicago, IL (US)  
(\*\*) Term: **15 Years**  
(21) Appl. No.: **29/681,914**  
(22) Filed: **Feb. 28, 2019**  
(51) **LOC (12) Cl.** ..... **20-02**  
(52) **U.S. Cl.**  
USPC ..... **D6/675.3**  
(58) **Field of Classification Search**  
USPC ..... D6/672, 675, 675.2, 675.1, 675.3, 405, D6/514, 706, 574; 211/153, 90.01  
CPC ..... A47F 5/005; A47F 1/12; A47F 5/0043; A47B 96/027; A47B 96/02; A47B 3/00; A47B 81/00; F25D 25/02  
See application file for complete search history.

D599,582 S 9/2009 DeCardenas  
D637,016 S 5/2011 Pohl  
D642,582 S 8/2011 Largy  
D716,590 S 11/2014 Hsu et al.  
D747,629 S 1/2016 Goodman et al.  
D760,852 S 7/2016 Appleton  
D796,874 S \* 9/2017 Greenwood ..... D6/675.3  
D801,089 S \* 10/2017 Greenwood ..... D6/675.3  
D813,575 S \* 3/2018 Kraemer ..... D6/675.3  
D844,349 S \* 4/2019 Burton ..... D6/672  
D873,588 S \* 1/2020 Xiaojun ..... D6/675.3

\* cited by examiner

*Primary Examiner* — Gino Colan  
(74) *Attorney, Agent, or Firm* — Lowe Graham Jones PLLC

(57) **CLAIM**

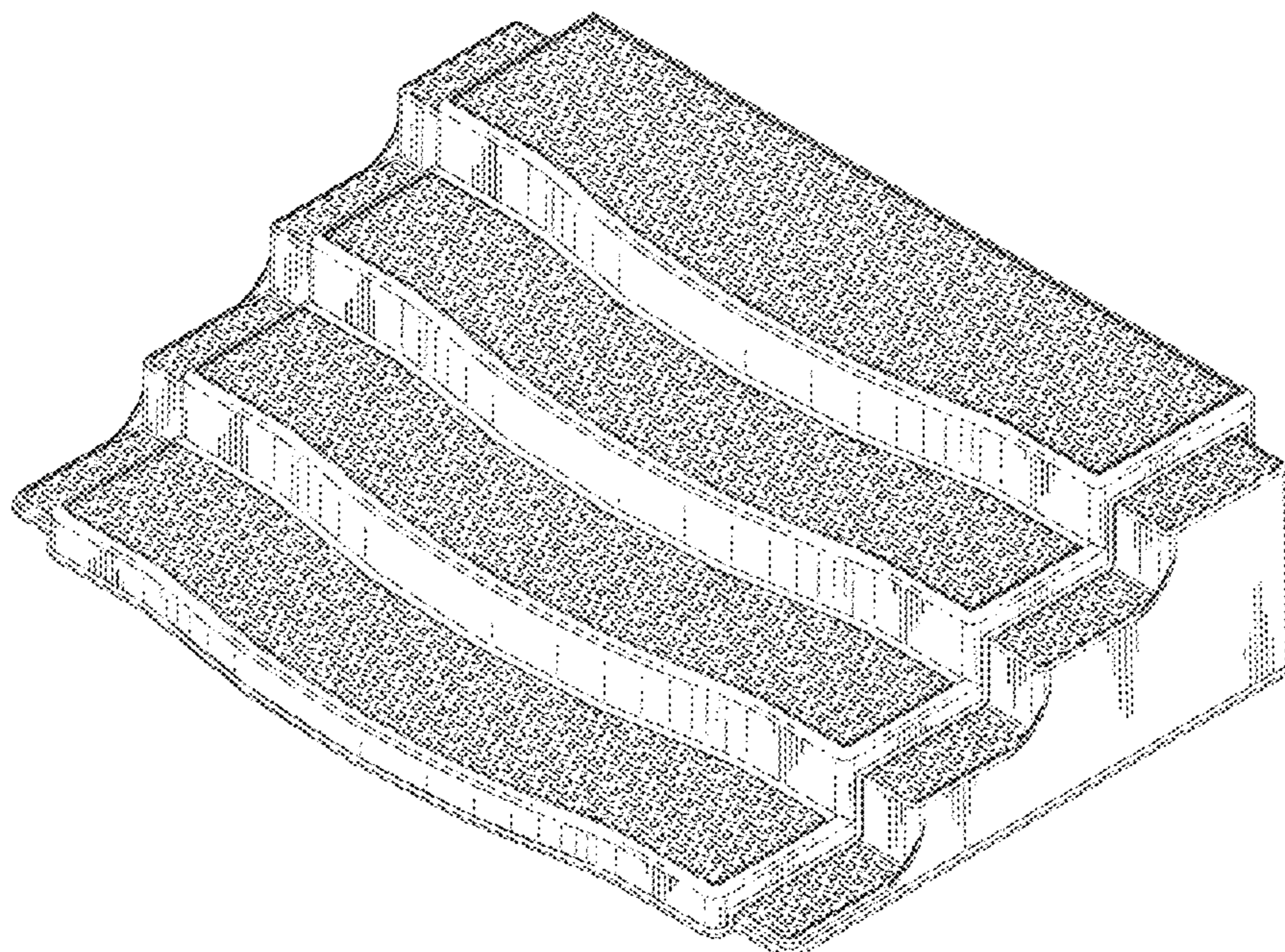
I claim the ornamental design for an expandable shelf steps, as shown and described.

**DESCRIPTION**

FIG. 1 is a top perspective view of the expandable shelf steps, showing my new design.  
FIG. 2 is a front elevational view of the expandable shelf steps.  
FIG. 3 is a rear elevational view of the expandable shelf steps.  
FIG. 4 is a side elevational view of the expandable shelf steps.  
FIG. 5 is a right side elevational view of the expandable shelf steps.  
FIG. 6 is a top plan view of the expandable shelf steps; and, FIG. 7 is a bottom plan view of the expandable shelf steps. The broken lines shown in the figures are for the purpose of illustrating portions of the expandable shelf steps and form no part of the claimed design.

**1 Claim, 7 Drawing Sheets**

(56) **References Cited**  
U.S. PATENT DOCUMENTS  
D207,564 S 5/1967 Lloyd  
D242,890 S 1/1977 Hillman et al.  
5,357,876 A 10/1994 Kniefel et al.  
D507,431 S 7/2005 Goth  
D524,577 S 7/2006 Gusdorf et al.  
D543,383 S 5/2007 Edison et al.  
D555,936 S 11/2007 King  
D557,936 S 12/2007 Van  
D574,434 S 8/2008 Siegel





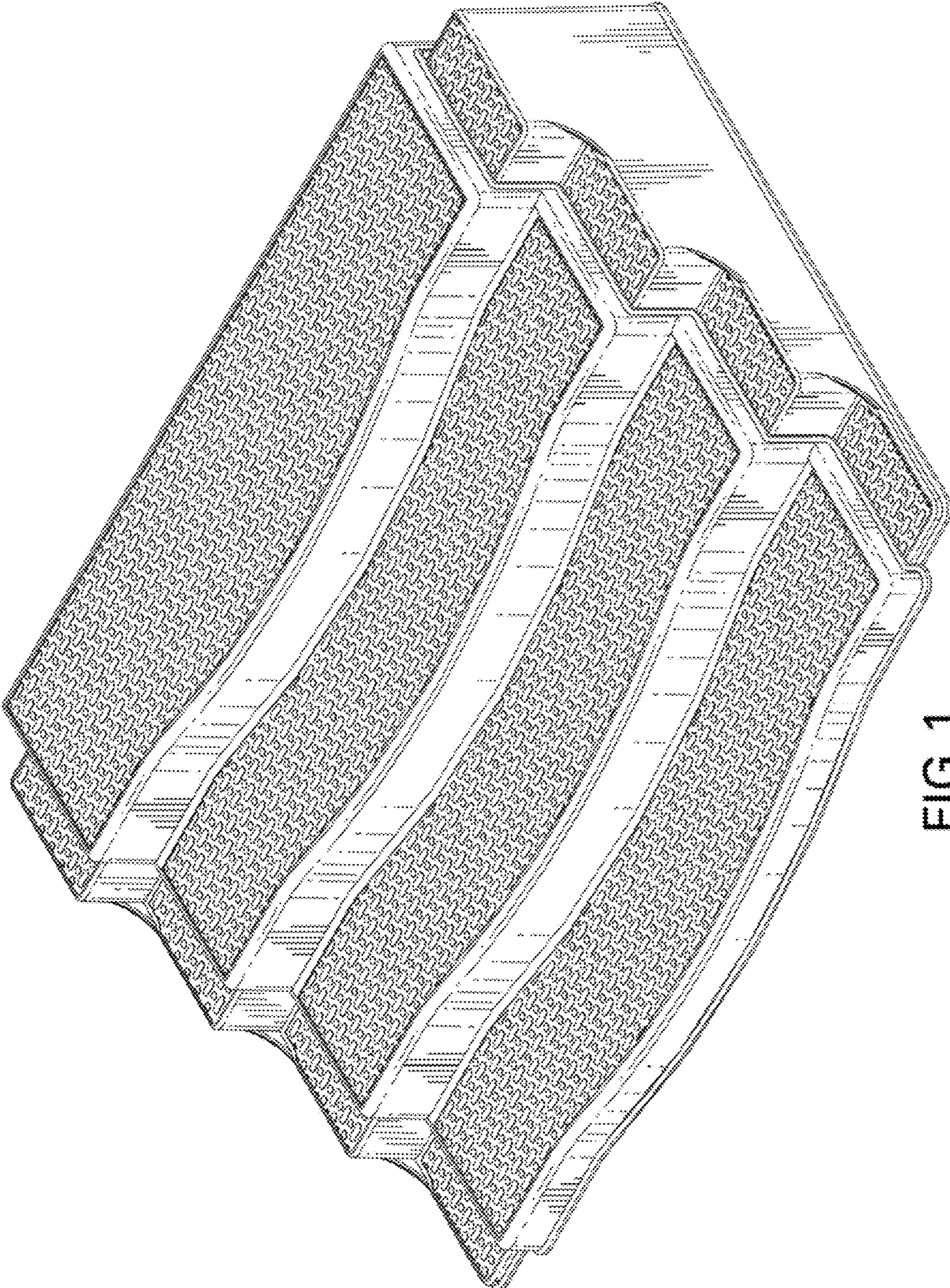


FIG.1



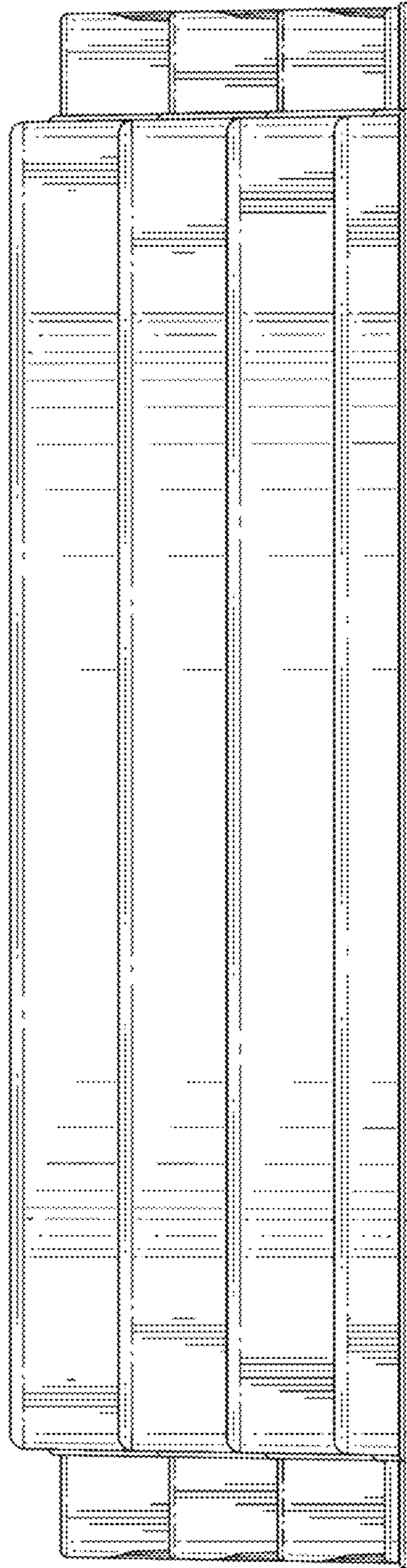


FIG. 2

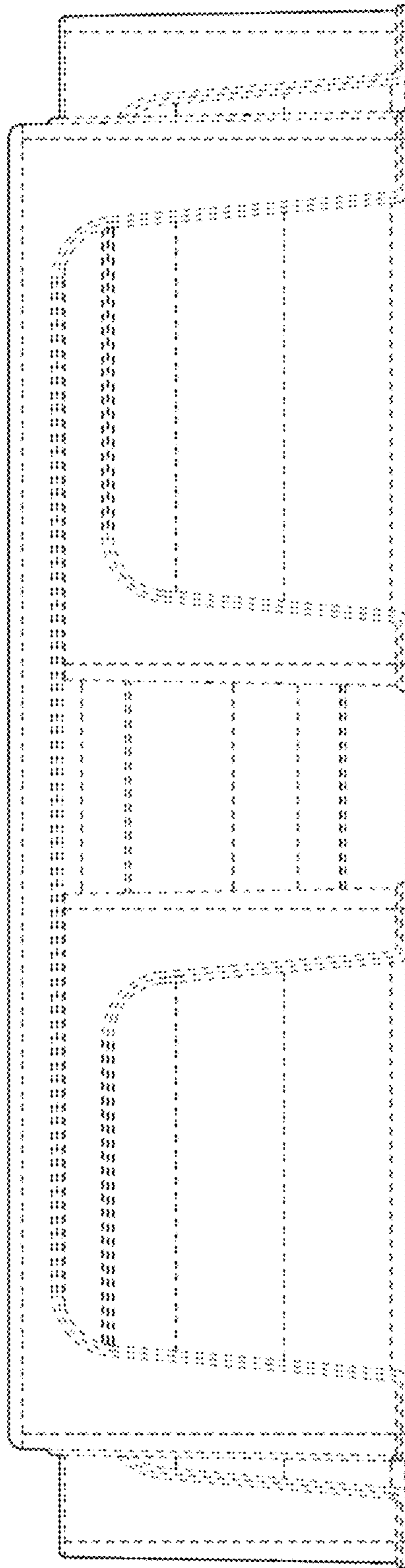


FIG. 3

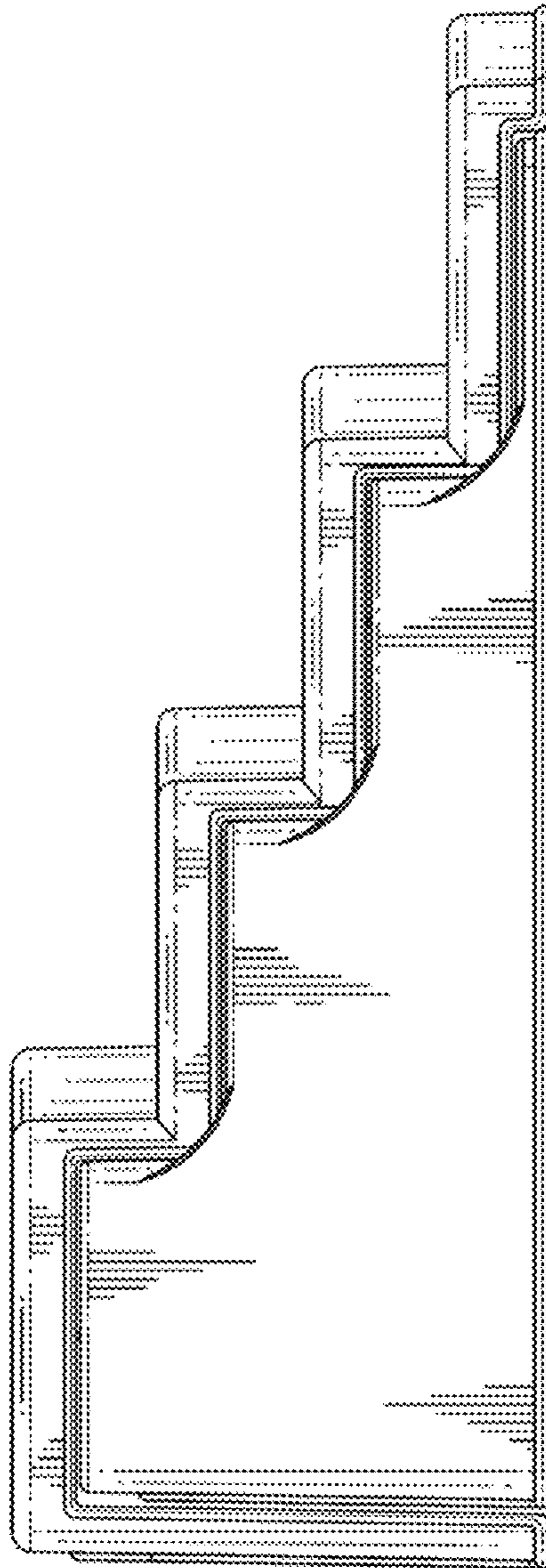


FIG.4

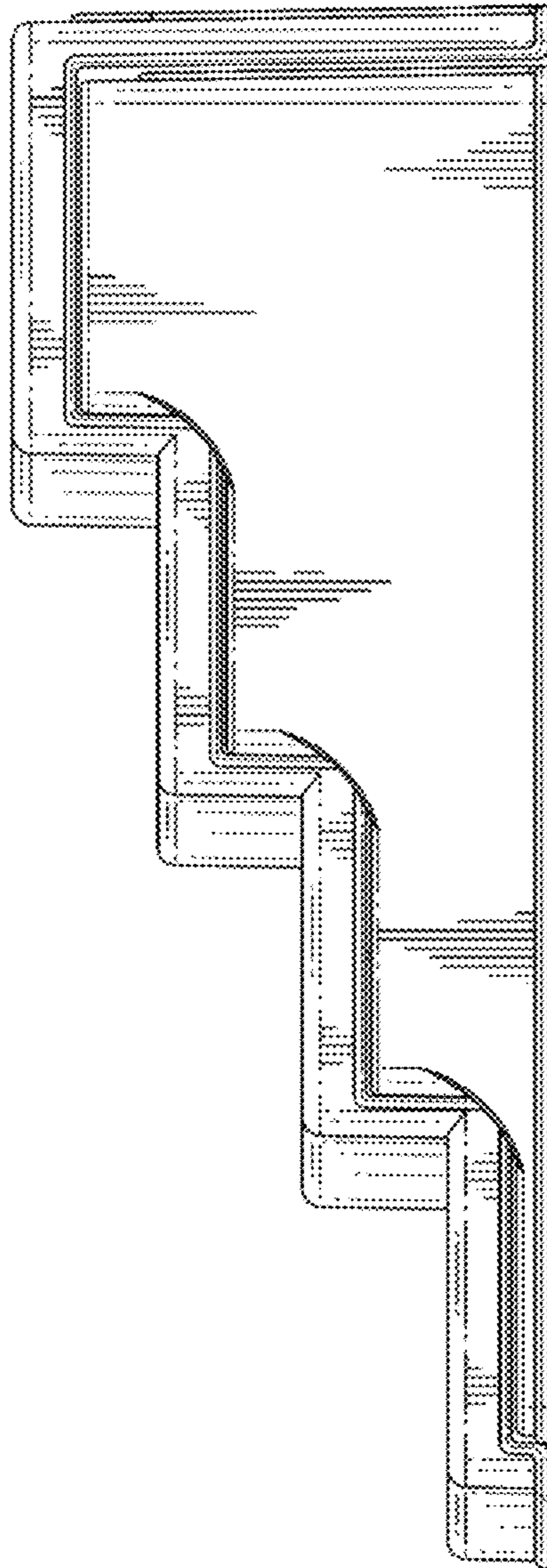


FIG. 5



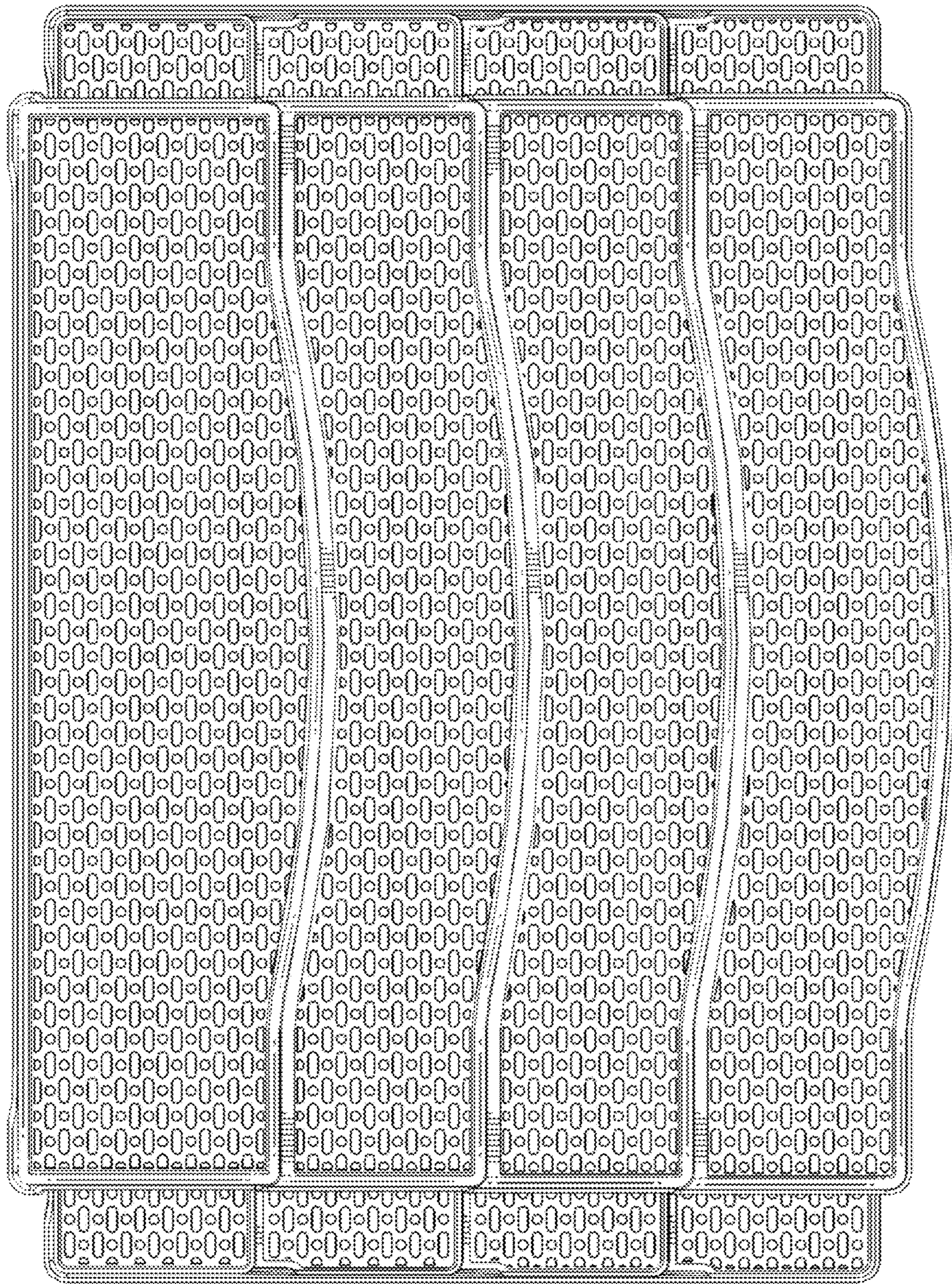


FIG. 6



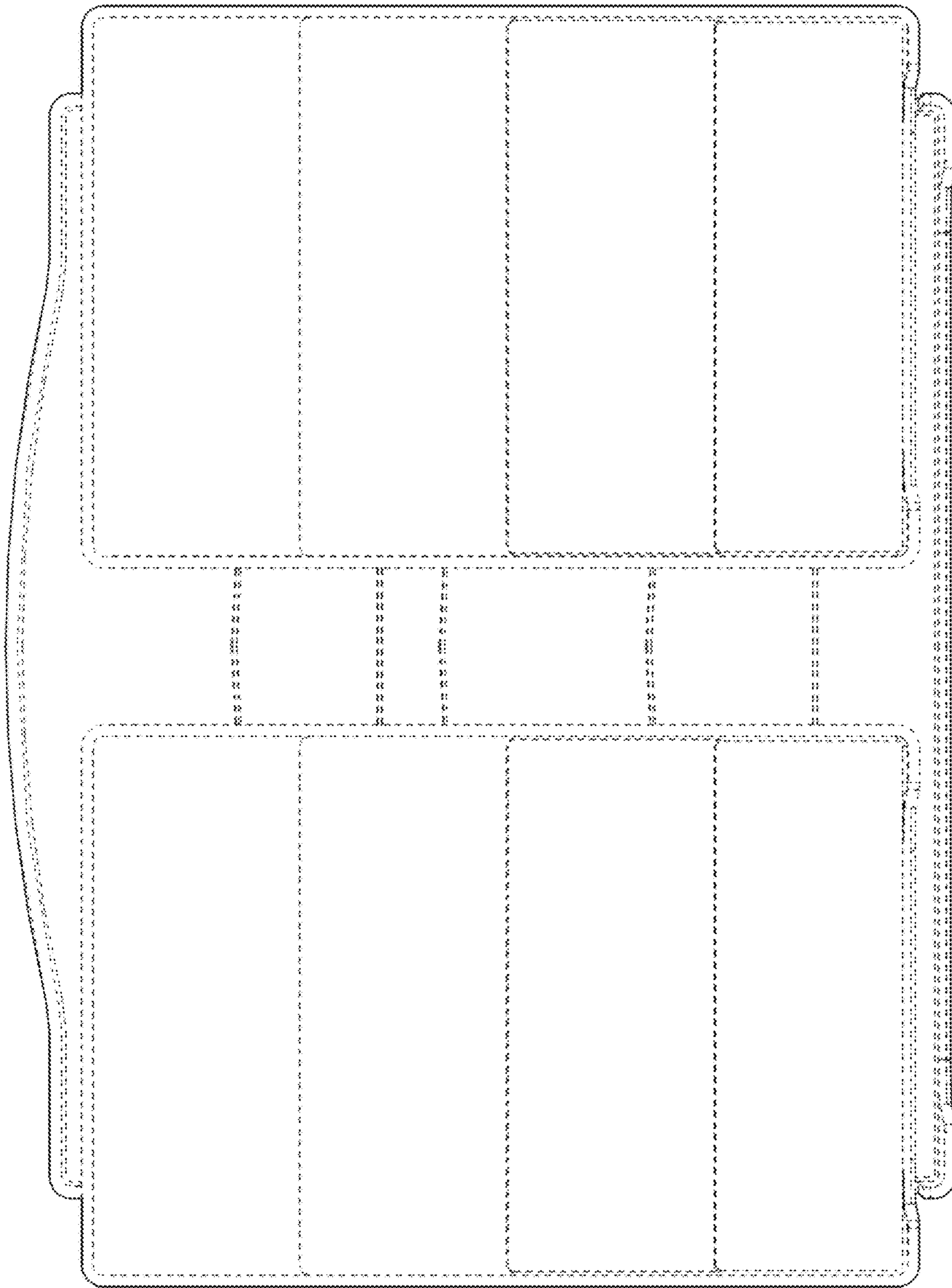


FIG. 7