



US00D885091S

(12) **United States Design Patent** (10) **Patent No.:** **US D885,091 S**
Davis et al. (45) **Date of Patent:** **** *May 26, 2020**

(54) **STORAGE UNIT**

(71) Applicant: **WALKER EDISON FURNITURE COMPANY, LLC**, Salt Lake City, UT (US)

(72) Inventors: **Matthew Davis**, Murray, UT (US);
Brad Bonham, Draper, UT (US);
Richard Packer, Kaysville, UT (US)

D78,127 S 3/1929 Schleicher
D103,250 S 2/1937 Parrish
2,207,307 A 7/1940 Teller
D166,077 S 3/1952 Haas
2,696,419 A 12/1954 Wallance
D175,869 S 10/1955 Trout
2,743,720 A 5/1956 Dollinger
D182,836 S 5/1958 Lubberts
2,850,346 A 9/1958 Holderle

(Continued)

(*) Notice: This patent is subject to a terminal disclaimer.

(**) Term: **15 Years**

(21) Appl. No.: **29/634,946**

(22) Filed: **Jan. 25, 2018**

(51) **LOC (12) Cl.** **06-06**

(52) **U.S. Cl.**
USPC **D6/675.3**

(58) **Field of Classification Search**
USPC D3/304, 305, 306, 307-309, 315-316;
D32/36-37; D34/12, 14
CPC A47F 1/00; A47B 45/00; A47B 47/04;
A47B 57/00; A47B 57/50; A47B 63/00;
A47B 47/021; A47B 47/0008; A47B
47/0083

See application file for complete search history.

(56) **References Cited**

U.S. PATENT DOCUMENTS

245,925 A 8/1881 Kinsley
309,799 A 12/1884 Poulson
D47,600 S 7/1915 Koch
D61,344 S 8/1922 Mayer
1,475,088 A 11/1923 Specht et al.
D64,390 S 4/1924 Arons
D64,922 S 6/1924 Naill
D66,028 S 11/1924 Lyons et al.
D66,889 S 3/1925 Schleicher
D68,065 S 8/1925 Schleicher
D68,659 S 11/1925 Smith

FOREIGN PATENT DOCUMENTS

CA 176179 7/2017
CA 176180 7/2017

(Continued)

OTHER PUBLICATIONS

U.S. Appl. No. 29/634,903, filed Jan. 25, 2018, Davis.

(Continued)

Primary Examiner — Kelley A Donnelly
(74) *Attorney, Agent, or Firm* — Workman Nydegger

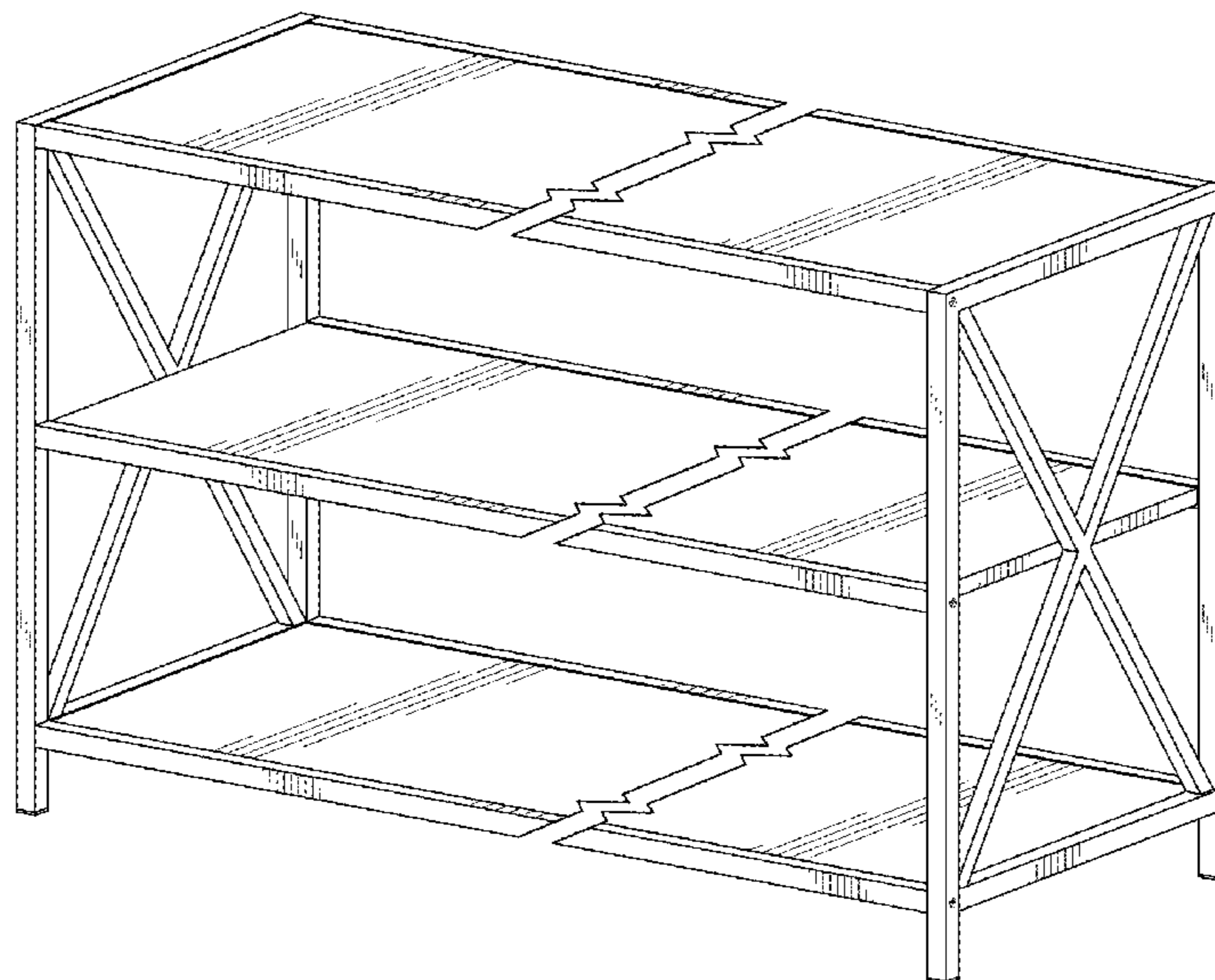
(57) **CLAIM**

The ornamental design for a storage unit, as shown and described.

DESCRIPTION

FIG. 1 is a front perspective view of a storage unit showing the new design;
FIG. 2 is a front elevation view thereof;
FIG. 3 is a back elevation view thereof;
FIG. 4 is a top plan view thereof;
FIG. 5 is a bottom plan view thereof;
FIG. 6 is a right elevation view thereof; and,
FIG. 7 is a left elevation view thereof.
The broken lines in the drawings illustrate portions of the storage unit that form no part of the claimed design.

1 Claim, 4 Drawing Sheets



(56)

References Cited

U.S. PATENT DOCUMENTS

D186,115 S	9/1959	Church		D428,609 S	7/2000	Williams	
2,918,176 A *	12/1959	Bell	A47B 47/027	D430,431 S	9/2000	Walter	
			211/187	D448,203 S	9/2001	Jeup	
D188,196 S	6/1960	Lubberts		D452,624 S	1/2002	de Blois	
D188,197 S	6/1960	Swarts		D454,264 S	3/2002	Patik	
3,039,621 A	6/1962	Pilcher		D455,916 S	4/2002	Fluhrer	
D193,516 S	9/1962	Deaton		6,393,207 B1	5/2002	Martin	
D196,451 S	10/1963	McMullen		D466,333 S	12/2002	Hwang	
3,217,671 A	11/1965	Walsh		6,515,262 B1	2/2003	Li	
3,272,582 A	9/1966	Mack		D477,160 S	7/2003	Grosfillex	
3,354,878 A	11/1967	Balls		D478,432 S	8/2003	Juneau	
3,589,746 A *	6/1971	Inglis	A47B 57/12	D479,925 S	9/2003	Hsieh	
			108/181	D485,709 S	1/2004	de Blois	
RE27,186 E	10/1971	Ferdinand		D492,989 S	7/2004	Beck	
RE27,200 E	10/1971	Ferdinand et al.		D495,898 S	9/2004	Walker	
3,762,789 A	10/1973	Robertson		6,789,859 B1	9/2004	Ho	
3,766,863 A	10/1973	Swick		D497,741 S *	11/2004	Sexton	D6/675.1
D233,294 S	10/1974	Goulder		D499,274 S	12/2004	Juneau	
D236,676 S	9/1975	Urti		D499,281 S	12/2004	Yamaguchi	
D238,277 S	12/1975	Parker		D499,583 S	12/2004	Anderson	
D239,352 S	3/1976	Petrick		D503,570 S	4/2005	Anderson	
D240,685 S	7/1976	Eisen		D507,428 S	7/2005	Weatherly	
D244,112 S	4/1977	Friedman		D510,211 S	10/2005	Welborn, Jr.	
D248,429 S	9/1978	Robinson		D519,203 S	4/2006	Haas	
D249,429 S	9/1978	Robinson		D522,771 S	6/2006	Berry	
D249,860 S	10/1978	Ungaro		D528,327 S	9/2006	O'Reilly	
4,182,244 A	1/1980	Hutchins		D534,379 S	1/2007	Juneau	
D262,847 S	2/1982	Keller		D534,998 S	1/2007	Charnick	
D269,754 S	7/1983	Kates		D536,770 S	2/2007	Mayer	
D270,858 S	10/1983	McInnes		D538,406 S	3/2007	Mayer	
D281,901 S	12/1985	Demrick		D539,057 S	3/2007	Senda	
D283,343 S	4/1986	Haythornthwaite		D543,057 S	5/2007	Grady	
D303,596 S	9/1989	Goetz		D543,728 S	6/2007	Becker	
D304,982 S	12/1989	Bush		D548,488 S	8/2007	Weatherly	
D305,930 S	2/1990	MacAleese		D548,490 S	8/2007	Becker	
D306,106 S	2/1990	Bush		D549,991 S	9/2007	Stravitz	
4,953,362 A	9/1990	Shoji		D554,393 S	11/2007	Yalif	
D319,230 S	8/1991	Sugiyama		D555,397 S	11/2007	Yalif	
5,036,778 A	8/1991	Briosi		D559,583 S	1/2008	Zambelli	
D319,743 S	9/1991	Grey		D559,584 S	1/2008	Zambelli	
D327,735 S	7/1992	Smith		D559,585 S	1/2008	Lara	
D328,341 S	7/1992	Chiu		D560,077 S	1/2008	Zambelli	
D329,693 S	9/1992	Mills		D560,396 S	1/2008	Weatherly	
D336,184 S	6/1993	Borgen		D560,930 S	2/2008	Woodward	
D347,754 S	6/1994	Mehlin		D561,317 S	2/2008	Ou	
D348,576 S	7/1994	Narramore		D562,597 S	2/2008	Weatherly	
D348,726 S	7/1994	Wilson		D564,789 S	3/2008	deCarolis	
D353,960 S	1/1995	Barfield		D567,346 S	4/2008	Lin	
5,409,122 A	4/1995	Lazarus		D587,483 S	3/2009	Zambelli	
5,452,812 A	9/1995	Niequist		D587,484 S	3/2009	Domack	
D363,176 S	10/1995	Berry		D587,497 S	3/2009	Zambelli	
D363,841 S *	11/1995	Nourse	D6/675.1	D588,831 S	3/2009	Mohundro	
D364,055 S	11/1995	Pakla		D589,280 S	3/2009	Zambelli	
D364,064 S	11/1995	Lorenz		D591,533 S	5/2009	Karsson	
5,463,966 A	11/1995	Nilsson		D592,432 S	5/2009	Sexton	
D365,472 S	12/1995	Rehnberg		7,530,538 B2	5/2009	Whalen	
D366,110 S	1/1996	Darr		D593,776 S	6/2009	Sexton	
D367,383 S	2/1996	Hatrck-Smith		D594,248 S	6/2009	Zambelli	
D373,693 S	9/1996	Elhage		D604,546 S	11/2009	Alman	
5,628,256 A	5/1997	Lazarus		D605,874 S	12/2009	Zambelli	
D385,431 S	10/1997	Lee		D611,727 S	3/2010	Vail	
5,695,081 A	12/1997	Alkalay		D614,888 S	5/2010	Sexton	
D389,343 S	1/1998	Van Der Merwe		D618,015 S	6/2010	Sexton	
D390,936 S	2/1998	French		D618,016 S	6/2010	Metcalf	
5,752,500 A	5/1998	Jamieson		D620,278 S	7/2010	Zambelli	
5,782,231 A	7/1998	Wade		D620,283 S *	7/2010	Calco	D6/675.1
5,833,084 A	11/1998	Chang		D622,834 S	8/2010	Jiang	
D403,529 S	1/1999	De Blaay		D623,442 S	9/2010	Zambelli	
D404,937 S *	2/1999	Tarlow	D6/675.1	D623,876 S	9/2010	Zambelli	
D407,577 S	4/1999	Dorst		D623,877 S	9/2010	Zambelli	
D408,174 S	4/1999	Aspenwall		D625,123 S	9/2010	Zambelli	
D420,114 S	2/2000	Johnson		D630,453 S	1/2011	Rafieha	
D423,810 S	5/2000	Dorst		D632,902 S	2/2011	Rafieha	
D425,330 S	5/2000	O'Hare		D638,922 S	5/2011	Zhou	
6,074,029 A	6/2000	Snoke		7,934,494 B1	5/2011	Schneider	
				D640,072 S	6/2011	Sexton	
				D641,861 S	7/2011	Okamoto	
				D644,853 S	9/2011	Becker	
				D653,051 S	1/2012	Lin	

US D885,091 S

(56)

References Cited

U.S. PATENT DOCUMENTS

D653,739 S	2/2012	Gibbs	
D654,289 S	2/2012	Zambelli	
D654,995 S	2/2012	Asofsky	
D654,996 S	2/2012	Asofsky	
D655,946 S	3/2012	Sexton	
D658,750 S	5/2012	Nemes	
D663,137 S	7/2012	Andersen	
D663,138 S	7/2012	Andersen	
D665,897 S	8/2012	Martin	
D666,281 S	8/2012	Nemes	
D667,654 S	9/2012	Lenney	
D668,475 S	10/2012	Zambelli	
D669,704 S	10/2012	Zambelli	
D669,706 S	10/2012	Zambelli	
D669,707 S	10/2012	Zambelli	
D670,105 S	11/2012	Jespersen	
D674,891 S	1/2013	Huang	
D675,716 S	2/2013	Schwartz	
D675,846 S	2/2013	Monaldi	
D687,250 S	8/2013	Weatherly	
D694,873 S	12/2013	Nemes	
D696,758 S	12/2013	Ernst	
8,607,776 B2	12/2013	Jansson	
8,813,656 B1	8/2014	Hazzard	
D716,288 S	10/2014	O'Heron	
D717,081 S	11/2014	Dworman	
D717,569 S	11/2014	Davis	
D718,957 S	12/2014	Helser	
D719,384 S	12/2014	Sowers	
D720,563 S	1/2015	Burden	
D723,148 S	2/2015	Lawrence	
D723,843 S	3/2015	Lai	
9,004,060 B2	4/2015	Benedetti	
D731,823 S	6/2015	Kelinske	
D736,012 S	8/2015	Davis	
D737,418 S	8/2015	Hrydovyy	
D738,477 S	9/2015	Nemes	
D738,647 S	9/2015	Muller	
D741,630 S	10/2015	Meissner	
9,167,896 B1	10/2015	Wu	
D742,142 S	11/2015	Everson	
D742,662 S	11/2015	Muller	
D743,192 S	11/2015	Davis	
D746,614 S	1/2016	Sheppard	
D747,123 S	1/2016	Zambelli	
D747,788 S	1/2016	Baker	
D747,900 S	1/2016	Sheppard	
9,228,742 B2	1/2016	Akiyama	
D748,768 S	2/2016	Stanton	
D752,905 S	4/2016	Healy	
D753,930 S	4/2016	Vengadakrishnan	
D757,350 S	5/2016	Levy	
D758,766 S	6/2016	Kirar	
D759,997 S	6/2016	Ruiz	
D767,752 S	9/2016	Davis	
D767,753 S	9/2016	Edmund	
D768,413 S	10/2016	Huang	
D773,862 S	12/2016	Davis	
D775,866 S	1/2017	Ben Avi	
D777,479 S *	1/2017	Anderson	D6/675.1
D778,641 S	2/2017	Anderson	
D778,646 S	2/2017	Davis	
D783,324 S	4/2017	Akana	
D791,302 S	7/2017	Davis	
D791,522 S	7/2017	Rodd	
D792,132 S	7/2017	Peota	
D793,776 S	8/2017	Davis	
D798,640 S	10/2017	Anderson	
D804,861 S *	12/2017	Failing	D6/655.1
D807,671 S	1/2018	Caillouet	
D808,203 S	1/2018	Davis	
D808,688 S	1/2018	Everson	
D808,690 S	1/2018	Hsu	
D812,938 S	3/2018	Moore	
D814,410 S	4/2018	Emslie	

D817,037 S	5/2018	Davis	
D817,038 S	5/2018	Davis	
D817,040 S	5/2018	Davis	
D817,666 S	5/2018	Davis	
D817,667 S	5/2018	Davis	
D818,750 S	5/2018	Hannoosh	
D821,038 S	6/2018	Rathman	
D824,703 S	8/2018	Yamamoto	
D825,233 S	8/2018	Yamamoto	
D825,959 S	8/2018	Rockwell	
D833,782 S	11/2018	Amacher	
D834,354 S	11/2018	Davis	
D834,355 S	11/2018	Davis	
D835,437 S *	12/2018	Stukenberg	D6/675
D835,925 S	12/2018	Denby	
D838,523 S	1/2019	Yamamoto	
D843,756 S	3/2019	Johnson	
D845,041 S	4/2019	Davis	
D845,679 S	4/2019	Li	
D845,683 S	4/2019	Pedersen	
D848,766 S	5/2019	Chen	
D848,768 S	5/2019	Johnson	
D848,770 S	5/2019	Davis	
D849,457 S	5/2019	Kundig	
D850,815 S	6/2019	Nicoll	
D858,148 S	9/2019	Crutcher	
D860,687 S	9/2019	Parikh	
2004/0074858 A1 *	4/2004	Thuma	D06F 57/00 211/202
2004/0079714 A1	4/2004	Andrew	
2004/0222721 A1	11/2004	Kelley	
2004/0237853 A1	12/2004	Sholz	
2005/0000241 A1	1/2005	Kucera	
2005/0103734 A1	5/2005	Saltzberg	
2007/0062983 A1	3/2007	Barnett	
2007/0138119 A1 *	6/2007	Schwerdlin	D06F 57/10 211/202
2007/0236111 A1	10/2007	Gray	
2008/0116771 A1	5/2008	Green	
2008/0181587 A1	7/2008	Patil	
2008/0203042 A1	8/2008	Felsenthal	
2008/0216817 A1	9/2008	Yungbluth	
2009/0025414 A1	1/2009	Koga	
2009/0151375 A1	6/2009	Tarr	
2009/0170421 A1	7/2009	Adrian	
2009/0220221 A1	9/2009	Zhou	
2010/0307179 A1	12/2010	Fava	
2011/0000477 A1	1/2011	Kwon	
2011/0017691 A1	1/2011	Wu	
2011/0079688 A1	4/2011	Grove	
2011/0080261 A1	4/2011	Asofsky	
2011/0120166 A1	5/2011	Nadel	
2011/0220090 A1	9/2011	Atemboski	
2014/0116418 A1	5/2014	Thomas	
2014/0252939 A1	9/2014	Tunzi	
2014/0265754 A1	9/2014	Patterson	
2014/0265807 A1	9/2014	Kendall	
2014/0318529 A1	10/2014	Nielsen	
2015/0182021 A1	7/2015	Chang	
2015/0323190 A1	11/2015	Stein	
2016/0018112 A1	1/2016	Phillips	
2016/0100698 A1	4/2016	Clark	
2016/0209102 A1	7/2016	Vulava	
2016/0223213 A1	8/2016	Grohova	
2016/0256032 A1	9/2016	Bhajak	
2017/0089587 A1	3/2017	Nemes	
2017/0211814 A1	7/2017	Bourne	
2018/0064246 A1	3/2018	Kassanoff	

FOREIGN PATENT DOCUMENTS

CA	179421	1/2018
CA	179422	1/2018
CA	179423	1/2018
CN	304163895	9/2017
CN	305138614	5/2019
GB	1162368	8/1969
GB	4001474	5/2007

(56)

References Cited

FOREIGN PATENT DOCUMENTS

GB	4032905	11/2013
GB	4034171	7/2014
WO	WOD076242-061	5/2011

OTHER PUBLICATIONS

- U.S. Appl. No. 29/634,905, filed Jan. 25, 2018, Davis.
 U.S. Appl. No. 29/634,914, filed Jan. 25, 2018, Davis.
 U.S. Appl. No. 29/611,962, filed Jul. 27, 2017, Davis.
 U.S. Appl. No. 29/611,963, filed Jul. 27, 2017, Davis.
 U.S. Appl. No. 29/654,941, filed Jun. 28, 2018, Davis.
 U.S. Appl. No. 29/654,935, filed Jun. 28, 2018, Davis.
 U.S. Appl. No. 29/654,950, filed Jun. 28, 2018, Davis.
 U.S. Appl. No. 29/656,499, filed Jul. 12, 2018, Davis.
 U.S. Appl. No. 29/656,479, filed Jul. 12, 2018, Davis.
 U.S. Appl. No. 29/656,485, filed Jul. 12, 2018, Davis.
 U.S. Appl. No. 29/656,486, filed Jul. 12, 2018, Davis.
 U.S. Appl. No. 29/656,497, filed Jul. 12, 2018, Davis.
 Electric fireplace, image post date May 26, 2014, site visited Aug. 8, 2016, (online), <<https://www.tineye.com/search/3c3d0cbfb7030b3079ebefa0774a5b4e94120332/?pluginver>.
 Media Console with Electric Fireplace, image post date Dec. 6, 2015, site visited Aug. 8, 2016, (online), <<http://www.overstock.com/Home-Garden/Media-Console-with-Electric-Fireplace-in-Barnwood/10309735/product.html?recset=05953330-aaa1-4640-a796-f225c2f8176d&refccid=MRISGBB2MZGZXYKK4EFV125H6Q&recalg=809,828,512&recidx=1#reviews>.
 Tv Stand With Fireplace, image post date Sep. 12, 2015, site visited Aug. 8, 2016, (online), <<https://www.tineye.com/search/77be8934bf07249cbb245c8ea0f719199437b185/>.
 Walker Edison TV Stand with Fireplace Insert, image post date Jul. 31, 2015, site visited Aug. 8, 2016, (online), <<https://www.amazon.com/Walker-Edison-Fireplace-Insert-Espresso/dp/BOOPNONTAK>.
 Manchester Fireplace TV Console, image post date Dec. 17, 2015, site visited Aug. 8, 2016, (online), <<http://www.walmart.com/ip/Manchester-Media-Fireplace-Stand-for-TVs-up-to-70/46360223>.
 Monet Fireplace; Canadian Tire Company website: <http://www.canadiantire.ca/en/pdp/monet-fireplace-0643572p.html>; retrieved on Dec. 21, 2016.
 TV and Media Consoles, image post date Sep. 21, 2013, site visited Oct. 26, 2016, (online), <<http://web.archive.org/web/20130921074219/http://www.electrificfireplacesdirect.com/Gallery/tv-and-media-consoles.html>>.
 "Kendall Electric Media Fireplace—Espresso" Dec. 24, 2012, amazon.com, site visited Mar. 6, 2018 <https://www.amazon.com/Kendall-Electric-Media-Fireplace-Espresso/dp/B009LIT6XQ/ref=cm_cr_arp_d_product_top?ie=UTF8> (Year: 2012).
 "Whalen Media Fireplace Console for TVs up to 70' Gray" Nov. 24, 2015, walmart.com, site visited Mar. 6, 2018 <<https://www.walmart.com/ip/Whalen-Media-Fireplace-Console-for-TVs-up-to-70-Gray/54189794>> (Year: 2015).
 "Boston Loft Furnishings . . ." Nov. 7, 2016, themine.com, site visited Mar. 2, 2018 <https://www.themine.com/tv-stands/boston-loft-furnishings-reamrock-infrared-electric-fireplace-media-stand-with-convertible-corner_g2733659.html> (Year: 2016).
 "Ameriwood Home Everett 70-inch . . ." Dec. 6, 2016, overstock.com, site visited Mar. 2, 2018 <<https://www.overstock.com/Home-Garden/Ameriwood-Home-Everett-70-inch-Sonoma-Oak-TVStand-with-Glass-Doors/12710691/product.html>> (Year: 2016).
 Metal Coffee Table; <https://www.overstock.com/Home-Garden/42-Metal-Coffee-Table-42-x-24-x-18h/15951452/product.html> Retrieved on Nov. 13, 2018.
 Modern Two-Tone Writing Desk; <https://www.overstock.com/Home-Garden/44-Modern-Two-Tone-Writing-Desk/19684325/product.html> Retrieved on Nov. 13, 2018.
 U.S. Appl. No. 29/654,930, filed Jun. 28, 2018, Davis.
 U.S. Appl. No. 29/654,936, filed Jun. 28, 2018, Davis.
 U.S. Appl. No. 29/654,952, filed Jun. 28, 2018, Davis.
 U.S. Appl. No. 29/656,492, filed Jul. 12, 2018, Davis.
 U.S. Appl. No. 29/656,489, filed Jul. 12, 2018, Davis.
 U.S. Appl. No. 29/634,889, filed Jan. 25, 2018, Davis.
 U.S. Appl. No. 29/677,722, filed Jan. 23, 2019, Davis.
 U.S. Appl. No. 29/677,723, filed Jan. 23, 2019, Davis.
 U.S. Appl. No. 29/677,724, filed Jan. 23, 2019, Davis.
 U.S. Appl. No. 29/677,738, filed Jan. 23, 2019, Davis.
 U.S. Appl. No. 29/677,755, filed Jan. 23, 2019, Davis.
 U.S. Appl. No. 29/677,761, filed Jan. 23, 2019, Davis.
 Czapla TV Stand for TVs up to 65"; <https://www.allmodern.com/furniture/pdp/mercury-row-czapla-tv-stand-for-tvs-up-to-65-a000303456.html> ; Retrieved on May 7, 2019.
 Nelson Media Cabinet; <https://www.franceandson.com/collections/storage-shelving-media-cabinets/products/nelson-media-cabinet36051> ; Retrieved on May 7, 2019.
 Hal TV Stand for TVs up to 60"; <https://www.allmodern.com/furniture/pdp/hal-tv-stand-for-tvs-up-to-60-a000176456.html> ; Retrieved on May 7, 2019.
 Wigington TV Stand for TVs up to 60"; <https://www.allmodern.com/furniture/pdp/wigington-tv-stand-for-tvs-up-to-60-golv3670.html?piid> ; Retrieved on May 7, 2019.
 Cliffmay Slat Media Stand Light Oak Brown—Project 62; https://www.target.com/p/cliffmay-slat-media-stand-light-oak-brown-project-62-153/-/A-53517373?ref=tgt_adv_XS000000&AFID=google_pla_df&fndsrc=tgtao&CPNG=PLA_Furniture%2BShopping_Priority%2BBrands&adgroup=SC_Project+62&LID=700000001170770pgs&network=g&device=c&location=9029756&gclsrc=aw.ds&ds_rl=1246978&ds_rl=1247068&ds_rl=1246978&ref=tgt_adv_XS000000&AFID=google_pla_df&CPNG=PLA_Furniture+Shopping_Priority+Brands&adgroup=SC_Project%2062&LID=700000001170770pgs&network=g&device=c&location=9029756&gclid=EAIaIQobChMI7N9wo-H3wIVBylpCh1fSg4IEAQYBSABEGk_yPD_BwE&gclsrc=aw.ds ; Retrieved on May 7, 2019.
 Audrey Woven Media Console 65"; <https://www.zinhome.com/audrey-woven-media-console-65/> ; Retrieved on May 14, 2019.
 Demilune Mesh Door Industrial Sideboard; https://belleescape.com/demilune-mesh-wire-door-industrial-chic-sideboard.html?_SID=U ; Retrieved on May 14, 2019.
 Tuk Cabinet; <https://blackroosterdecor.com/collections/storage/products/tuk-cabinet> ; Retrieved on May 14, 2019.
 Rustic Style 31 Inches Metal TV Stand With Wire Mesh Doors Cabinet, Black; <https://casagear.com/products/rustic-style-31-inches-metal-tv-stand-with-wire-mesh-doors-cabinet-black>; May 14, 2019.
 Geo-Marquetry Buffet; https://www.anthropologie.com/shop/geo-marquetry-buffet?adpos=lo27&adtype=pla&cm_mmc=Google-US%20-%20Shopping%20-%20Furniture-Organizing%20and%20Storage-42699934&color=&countryCode=US&creative=191389729567&device=c&gclid=EAIaIQobChMivutGgY0H3wIVEdNkCh3t8wRPEAkYGyABEGJG_PD_BwE&inventoryCountry=US&matchtype=&mrkgadid=3202938336&mrkgcl=694&network=g&product_id=42699934&quantity=1&size=ALL&type=STANDARD&utm_campaign=US%20-%20Shopping%20-%20Furniture&utm_content=42699934&utm_medium=paid_search&utm_source=Google&utm_term=Organizing%20and%20Storage; Retrieved on May 14, 2019.
 Suspend II Media Console; <https://www.cb2.com/suspend-ii-media-console/s523915>; Retrieved on May 14, 2019.
 Hooker Furniture Melange Mirrored Angle Console; https://www.furniturecrate.com/hooker-melange-mirrored-angle-console.html?gdftrk=gdfV21650_a_7c92_a_7c8357_a_7c654170&gclid=CjwKEAiA05unBRCymrGilanF9SwSJACqDFRm1WwgePUSp65sXRCI4RkJfScYn--yCjNuB-GTt3W-FxoCQL7w_wcB; Retrieved on May 14, 2019.
 FurnitureMaxx Besteen Contemporary Wood Dark Gray Dining Room Server; https://www.amazon.com/dp/B07GVS1VK2/ref=cm_sw_r_pi_dp_U_x_evuOBbFM3298G; Retrieved on May 14, 2019.
 Jaydyn Media TV Stand/Credenza; https://www.macys.com/shop/product/jaydyn-media-tv-stand-credenza?ID=2883210&CategoryID=35319#fn=FURNITURE_CATEGORY=Buffet%20&%20Sideboards&SIZE=&sp=3&spc=131&ruleId=129%7CBOOST%20ATTRIBUTE%7CBOOST%20SAVED%20SET&searchPass=matchNone&slotId=2; Retrieved on May 14, 2019.

(56)

References Cited

OTHER PUBLICATIONS

Sideboard; <https://www.allmodern.com/furniture/pdp/sideboard-sct11710.html>; Retrieved on May 14, 2019.

Belham Living Trenton Industrial End Table; https://www.hayneedle.com/product/belham-living-trenton-industrial-end-table-new.cfm?source=pla&kwid=OccasionalTables%20prefer&tid=REDU113-1&adtype=pla&kw=&gclid=EAIaIQobChMIvOu-6veI3wIVB8ZkCh0ZdAf-EAkYAyABEgLyMfD_BwE; Retrieved on May 15, 2019.

Belham Living Hampton Chair Side Table—Black; <https://www.hayneedle.com/product/belham-living-hampton-chair-side-table-black.cfm>; Retrieved on May 15, 2019.

International Concepts Hampton End Table; https://www.hayneedle.com/product/internationalconceptshamptonendtable.cfm?source=pla&kwid=OccasionalTables%20level05&tid=WWI545-1&adtype=pla&kw=&gclid=EAIaIQobChMIpsnoq_mI3wIVGNVCh348gtdEAKYLiABEgLP7fD_BwE; Retrieved on May 15, 2019.

Hampton Weathered Taupe Gray Coffee Table; https://www.homedepot.com/p/International-Concepts-Hampton-Weathered-Taupe-Gray-Coffee-Table-OT09-70C/302946359?MERCH=REC--PIPHorizontal2_rr_-204737265--302946359--N; Retrieved on May 15, 2019.

Convenience Concepts Oxford Rectangle Coffee Table; https://www.hayneedle.com/product/convenience-concepts-oxford-rectangle-coffee-table.cfm?source=pla&kwid=OccasionalTables%20newskus&tid=CONV338-5&adtype=pla&kw=&gclid=EAIaIQobChMIhuzv9_mI3wIVWx-tBhlrUAltEAKYHYABEgJ2hPD_BwE; Retrieved on May 15, 2019.

Belham Living Jamestown Rustic Coffee Table with Unique Driftwood Finish; <https://www.hayneedle.com/product/jamestown-rustic-coffee-table.cfm>; Retrieved on May 15, 2019.

U.S. Appl. No. 29/720,734, filed Jan. 15, 2020, Davis.

U.S. Appl. No. 29/721,166, filed Jan. 17, 2020, Davis.

U.S. Appl. No. 29/714,849, Feb. 25, 2020, Restriction Requirement.

U.S. Appl. No. 29/699,085, filed Jul. 23, 2019, Davis.

Office Action dated Feb. 25, 2019 in U.S. Appl. No. 29/611,962.

Final Office Action dated Aug. 2, 2019 in U.S. Appl. No. 29/611,962.

Pinterest; www.pinterest.com/pin/336328451393621/; Retrieved on Jun. 12, 2019.

Target Winham TV Stand—Threshold; www.target.com/p/windham-tv-stand-threshold-153/-/A-54301349; Retrieved on Jun. 12, 2019.

Pinterest DIY Farmhouse Coffee Table Cabinet; www.pinterest.com/pin/33636328450994833/; Retrieved on Jun. 12, 2019.

Image seen on Pinterest DIY Project; Pinterest.com; Seen approximately Aug. 1, 2017.

World Market—Metal Bexley Bar; www.worldmarket.com/product/metal+bexley+bar.do?pp=1; Retrieved on Sep. 25, 2019.

Overstock—Nova Domus Soria Modern Walnut TV Stand; https://www.overstock.com/Home-Garden/Nova-Domus-Soria-Modern-Walnut-TV-Stand/10359356/product.html?utm_campaign=pin_button&utm_medium=Social&utm_source=Pinterest; Retrieved on Jun. 12, 2019.

Restriction Requirement for U.S. Appl. No. 29/654,950 dated Sep. 25, 2019.

Office Action for U.S. Appl. No. 29/656,489 dated Sep. 25, 2019.

Office Action for U.S. Appl. No. 29/656,497 dated Sep. 25, 2019.

Office Action for U.S. Appl. No. 29/656,499, dated Sep. 26, 2019.

Notice of Allowance for U.S. Appl. No. 29/656,486, dated Sep. 27, 2019.

Notice of Allowance for U.S. Appl. No. 29/656,485 dated Oct. 2, 2019.

Notice of Allowance for U.S. Appl. No. 29/656,479 dated Oct. 21, 2019.

U.S. Appl. No. 29/654,936, Jun. 19, 2019, Notice of Allowance.

U.S. Appl. No. 29/656,479, Jun. 27, 2019, Notice of Allowance.

U.S. Appl. No. 29/698,919, filed Jul. 22, 2019, Davis.

U.S. Appl. No. 29/698,928, filed Jul. 22, 2019, Davis.

U.S. Appl. No. 29/698,940, filed Jul. 22, 2019, Davis.

U.S. Appl. No. 29/699,063, filed Jul. 23, 2019, Davis.

U.S. Appl. No. 29/699,066, filed Jul. 23, 2019, Davis.

U.S. Appl. No. 29/699,071, filed Jul. 23, 2019, Davis.

U.S. Appl. No. 29/699,073, filed Jul. 23, 2019, Davis.

U.S. Appl. No. 29/699,078, filed Jul. 23, 2019, Davis.

U.S. Appl. No. 29/698,942, filed Jul. 22, 2019, Davis.

U.S. Appl. No. 29/698,947, filed Jul. 22, 2019, Davis.

42 in. Metal and Wood Desk with Glass and Shelf Grey Wash by Walker Edison Furniture Company—Home Depot <https://www.homedepot.com/p/Walker-Edison-Furniture-Company-42-in-metal-and-Wood-Desk-with-Glass-and-Shelf-Grey-Wash-HDM42JERGW/305309102> retrieved from the internet on Sep. 9, 2019.

Dark Walnut Wood and Glass Coffee Table by Walker Edison Furniture Company—Home Depot <https://www.homedepot.com/p/Walker-Edison-Furniture-Company-Dark-Walnut-Wood-and-Glass-Coffee-Table-HDF42JMGLDW/305308482> retrieved from the internet on Nov. 6, 2019.

“Baum TV Stand for TVs up to 58 inches” Wayfair. (Accessed Nov. 14, 2019).

“Dark Walnut 70" TV Stand” Pier1. (Accessed Nov. 14, 2019).

“Seren TV Stand for TVs up to 50 inches” Wayfair. (Accessed Nov. 14, 2019).

“Shreffler TV Stand for TVs up to 78 inches” Wayfair. (Accessed Nov. 14, 2019).

Electric Fireplaces Direct.com. <https://www.electricfireplacesdirect.com/products-accessories/tv-media-consoles/shelby-electric-fireplace-media-console-in-white-c3p18c9-2030w.html>. “Shelby Electric Fireplace Media Console in White”. Date unknown: Viewed Dec. 2019 (Year: 2019).

Pikove. <https://pikove.com/media/509962357792326443>. “Home Decor”. Feb. 2017 (Year: 2017).

Luno. <https://iamluno.com/product/kc27-record-console-new/>. “KC27 HiFi Record Console”. Date unknown: Viewed Dec. 2019 (Year: 2019).

U.S. Appl. No. 29/654,952, Nov. 15, 2019, Office Action.

U.S. Appl. No. 29/656,492, Nov. 18, 2019, Notice of Allowance.

U.S. Appl. No. 29/656,485, Dec. 18, 2019, Notice of Allowance.

U.S. Appl. No. 29/634,903, Dec. 23, 2019, Office Action.

U.S. Appl. No. 29/654,950, Dec. 27, 2019, Notice of Allowance.

U.S. Appl. No. 29/611,962, Jan. 6, 2020, Notice of Allowance.

U.S. Appl. No. 29/656,499, Jan. 23, 2020, Notice of Allowance.

U.S. Appl. No. 29/656,497, Jan. 23, 2020, Notice of Allowance.

U.S. Appl. No. 29/656,489, Jan. 24, 2020, Notice of Allowance.

U.S. Appl. No. 29/720,093, filed Jan. 9, 2020, Davis.

U.S. Appl. No. 29/714,849, filed Nov. 26, 2019, Davis.

U.S. Appl. No. 29/720,729, filed Jan. 15, 2020, Davis.

U.S. Appl. No. 29/720,732, filed Jan. 15, 2020, Davis.

U.S. Appl. No. 29/721,435, filed Jan. 21, 2020, Davis.

U.S. Appl. No. 29/720,923, filed Jan. 16, 2020, Davis.

U.S. Appl. No. 29/720,927, filed Jan. 16, 2020, Davis.

U.S. Appl. No. 29/720,942, filed Jan. 16, 2020, Davis.

U.S. Appl. No. 29/720,948, filed Jan. 16, 2020, Davis.

60" Tiered Top Console; <https://www.wayfair.com/furniture/pdp/real-flame-calie-tv-stand-for-tvs-up-to-48-inches-with-electric-fireplace-included-jfp1647.html>; Retrieved on Dec. 12, 2019.

58" Lincoln Console; <https://www.pinterest.com/pin/312366924137895643/>; Retrieved on Aug. 9, 2018.

58" Lincoln Console; https://www.miniforms.com/en/products/4_buffet-and-cabinet/105_edge/#f; Retrieved on Aug. 9, 2018.

60" Jacklyn TV Console; <https://www.pinterest.com/pin/33636328451628908/>; Retrieved on Apr. 16, 2018.

60" Victor TV Console; <https://www.pinterest.com/pin/33636328453466237/>; Retrieved on Apr. 11, 2018.

70" Tiered Top Open Shelf Fireplace; <https://www.wayfair.com/furniture/pdp/real-flame-calie-tv-stand-for-tvs-up-to-48-inches-with-electric-fireplace-included-jfp1647.html>; Retrieved on Jan. 10, 2018.

48" Radcliff Buffet; <https://www.walkerredison.com/buffet-52-console-table.html>; Retrieved on Jul. 19, 2018.

U.S. Appl. No. 29/654,952, Feb. 12, 2020, Notice of Allowance.

* cited by examiner

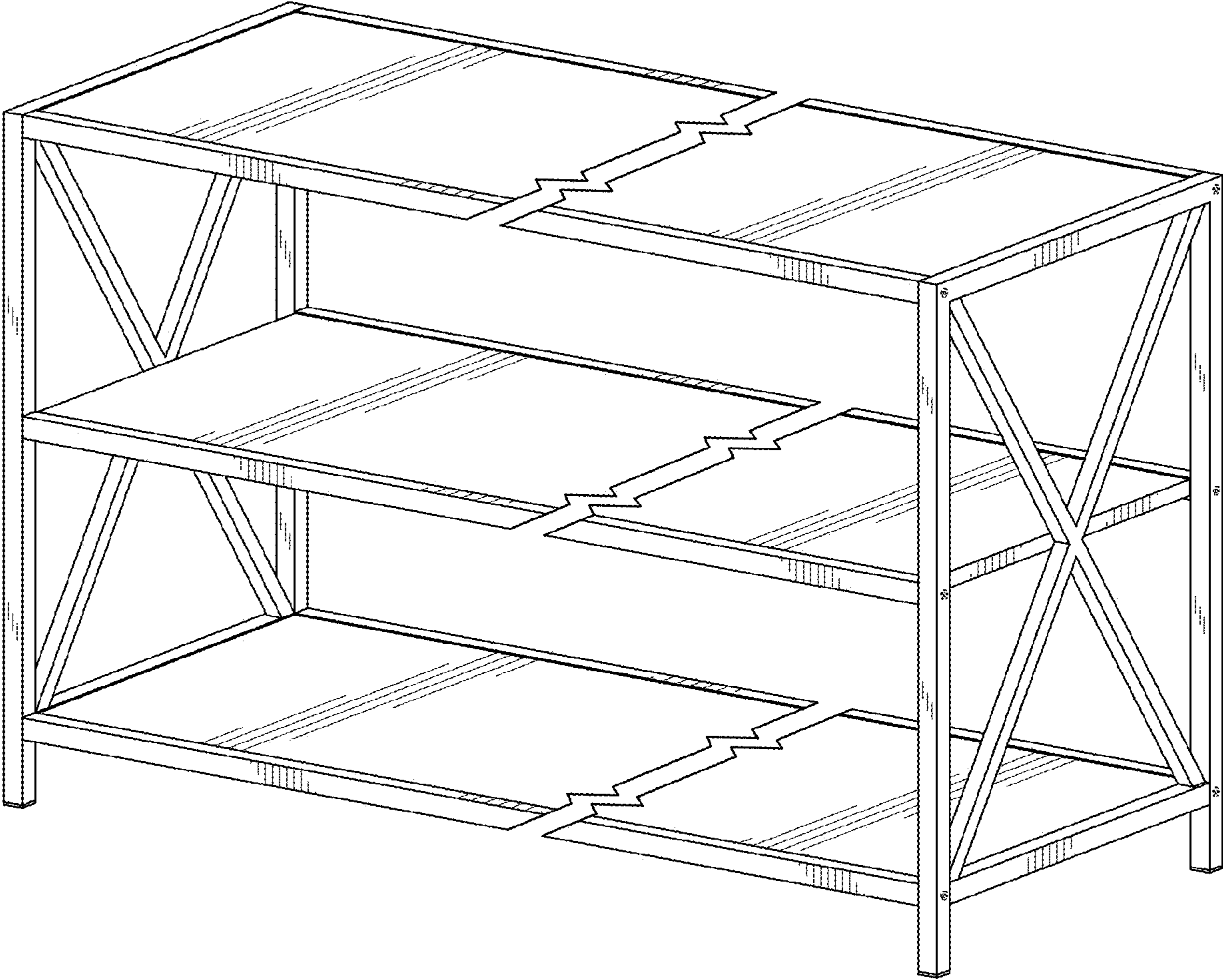


FIG. 1

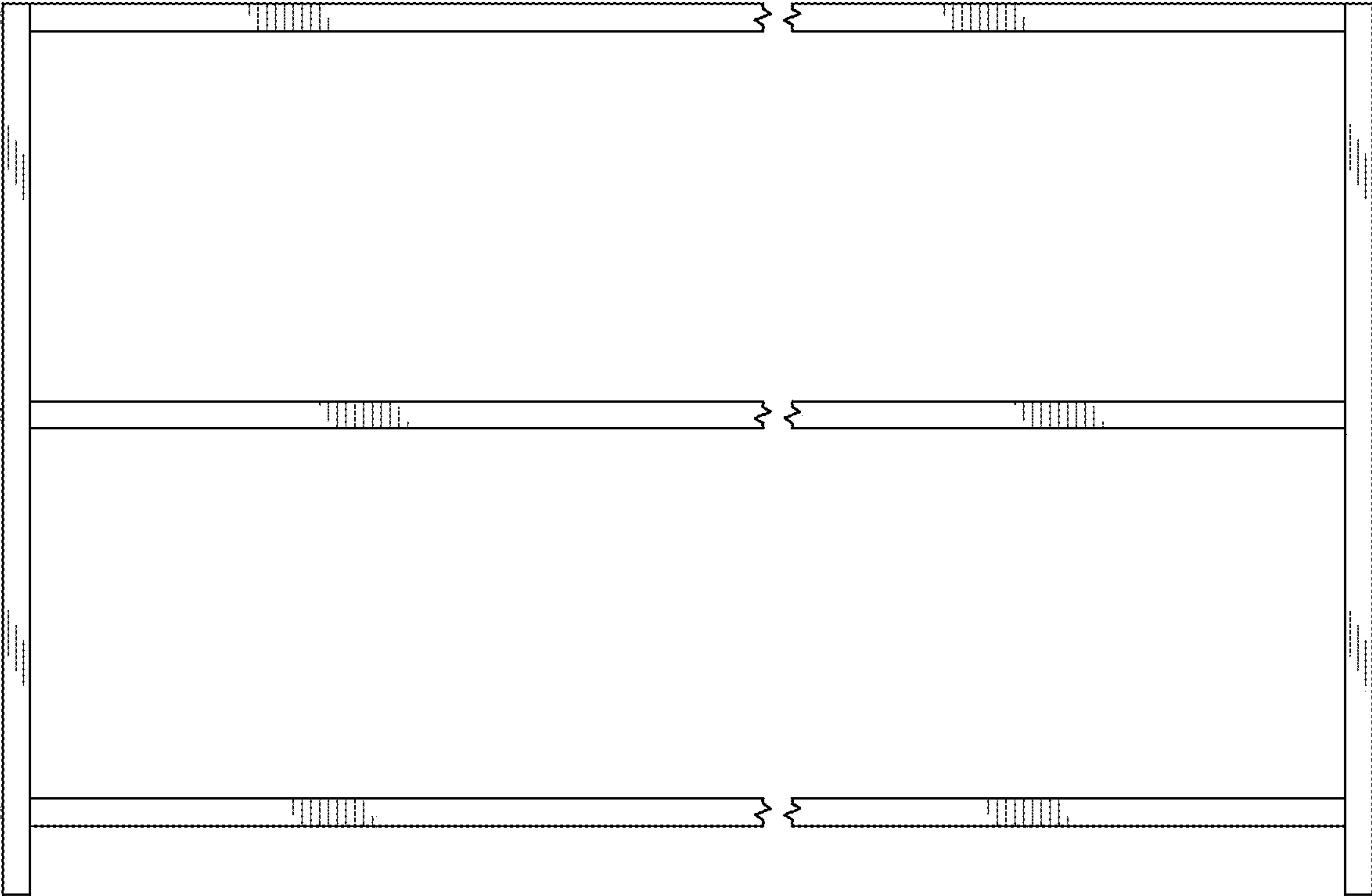


FIG. 2

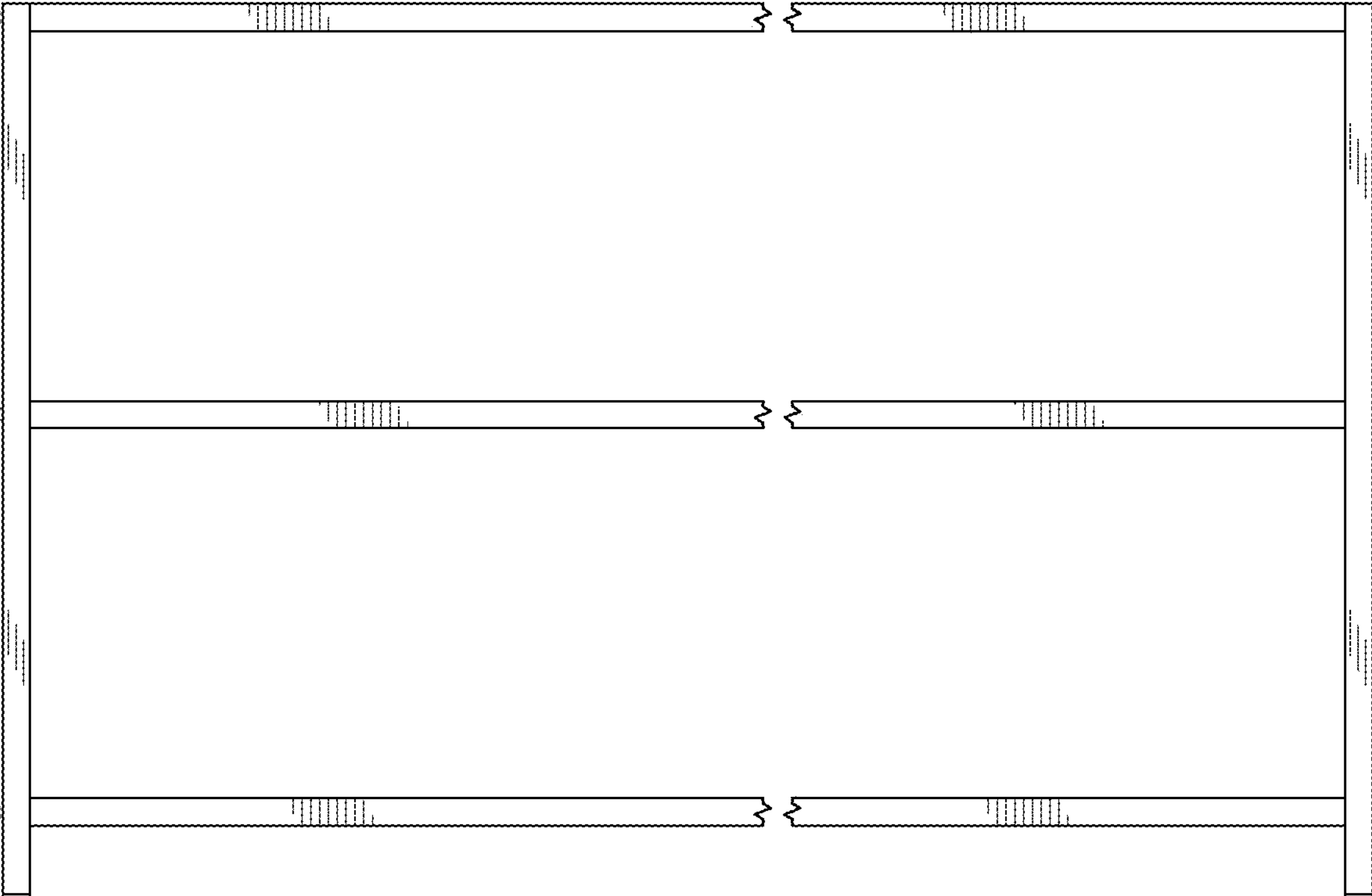


FIG. 3

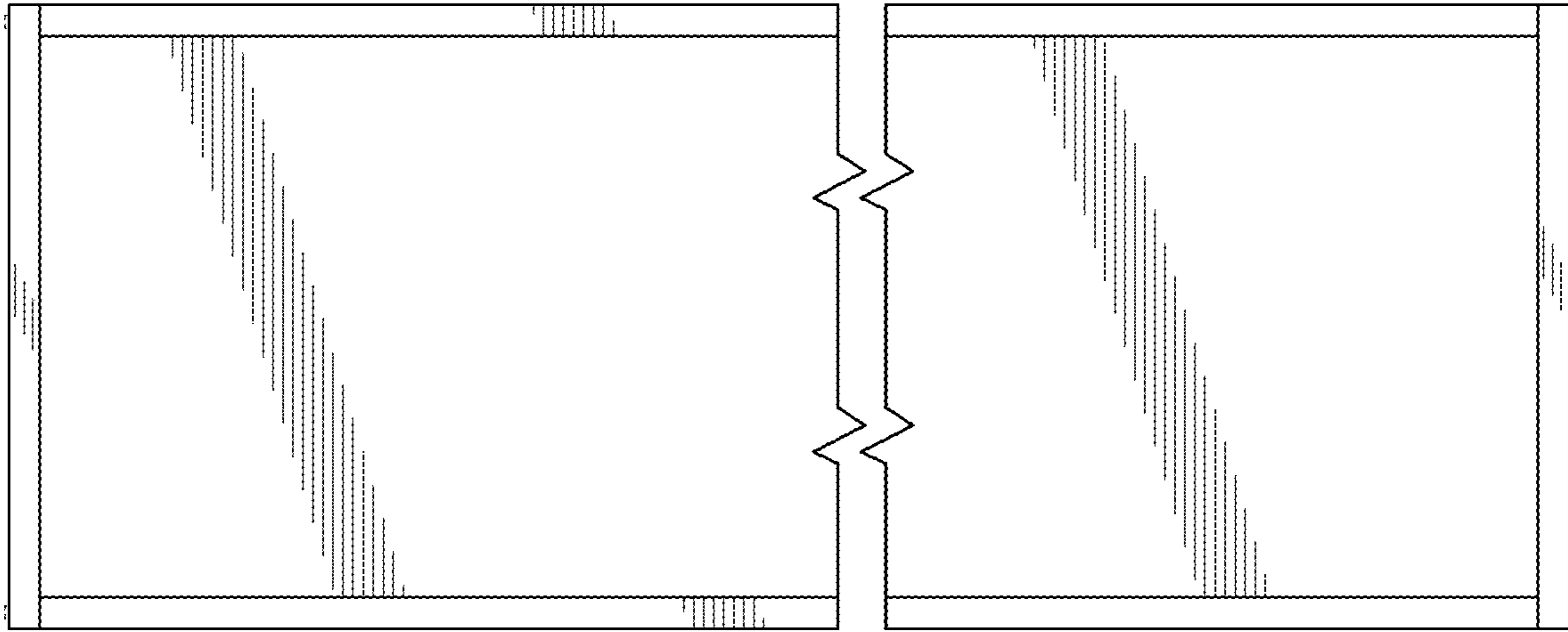


FIG. 4

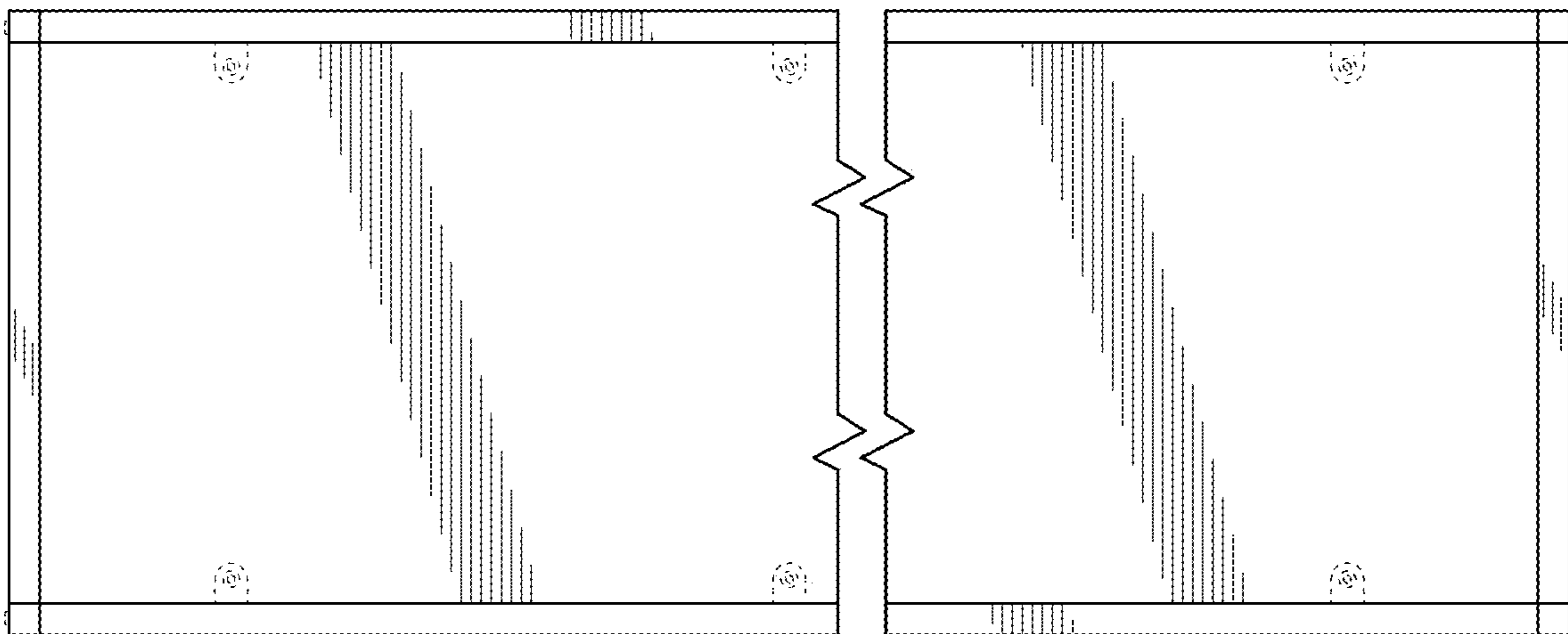


FIG. 5

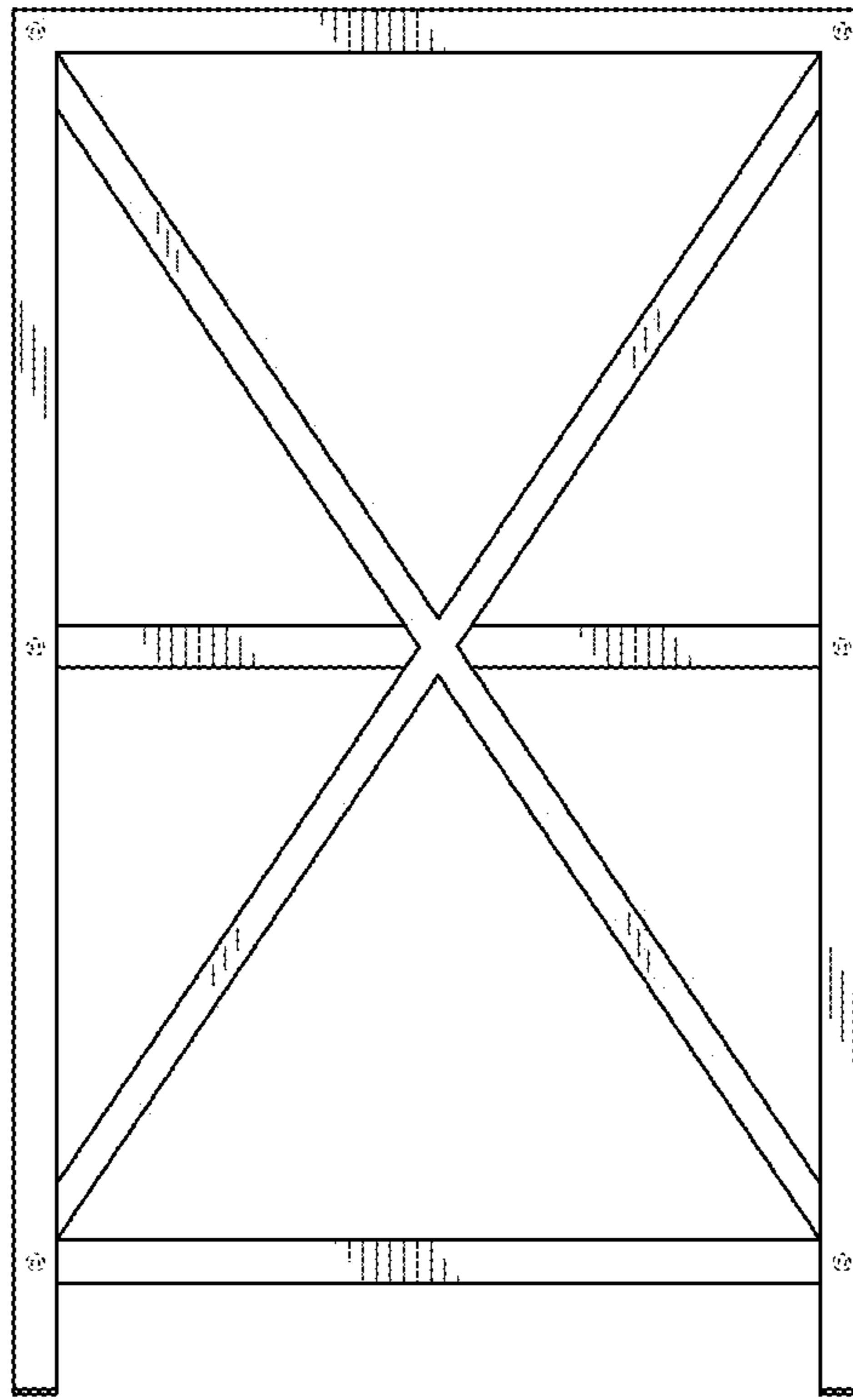


FIG. 6

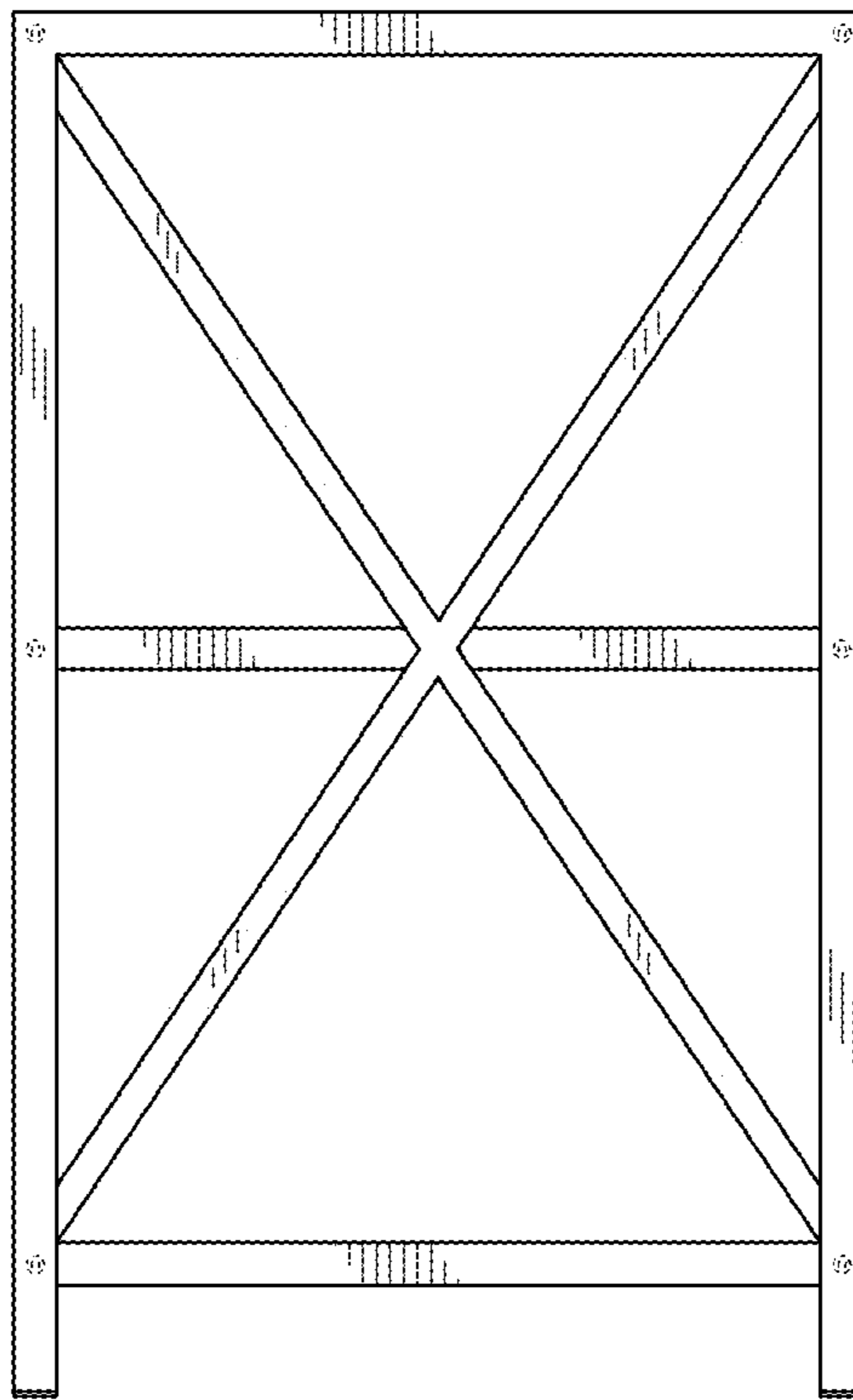


FIG. 7