



US00D885089S

(12) **United States Design Patent** (10) **Patent No.:** **US D885,089 S**
Knapp et al. (45) **Date of Patent:** **** May 26, 2020**

(54) **ADJUSTABLE HEIGHT DESK WITH SINGLE SUPPORT**

(71) Applicant: **CKnapp Sales, Inc.**, Goodfield, IL (US)

(72) Inventors: **Chance Knapp**, Goodfield, IL (US); **Brandon Meyer**, Normal, IL (US)

(73) Assignee: **CKnapp Sales, Inc.**, Goodfield, IL (US)

(**) Term: **15 Years**

(21) Appl. No.: **29/649,840**

(22) Filed: **Jun. 1, 2018**

(51) **LOC (12) Cl.** **06-03**

(52) **U.S. Cl.**
USPC **D6/655.2**

(58) **Field of Classification Search**
USPC D6/353, 368, 642, 655, 655.1, 655.13, D6/655.14, 655.2, 655.21, 686, 687, 691, D6/691.9, 704, 708
CPC A47B 1/00; A47B 7/00; A47B 9/00; A47B 9/10; A47B 9/16; A47B 2009/006; A47B 11/00; A47B 13/00; A47B 13/081; A47B 21/0073; A47B 21/02; A47B 21/03; A47B 2200/005; A47B 2200/0064
See application file for complete search history.

(56) **References Cited**

U.S. PATENT DOCUMENTS

- D666,027 S * 8/2012 Behnisch D6/655.2
- D781,617 S * 3/2017 Flaherty D6/655
- D781,618 S * 3/2017 Flaherty D6/655
- D781,619 S * 3/2017 Flaherty D6/655
- D784,050 S * 4/2017 Flaherty D6/655
- D814,214 S * 4/2018 Flaherty D6/648

- D815,463 S * 4/2018 Kobayashi D6/655.2
- D832,002 S * 10/2018 Hu D6/655.13
- D841,369 S * 2/2019 Hu D6/655
- D843,137 S * 3/2019 Hu D6/655
- D845,037 S * 4/2019 Min D6/655
- D852,548 S * 7/2019 Hu D6/655
- 2019/0110588 A1 * 4/2019 Wong A47B 9/16

OTHER PUBLICATIONS

Eureka, posted at Amazon.com, posted on Aug. 30, 2017, site visited Aug. 15, 2019. online, available from internet: <https://www.amazon.com/Eureka-Ergonomic-Height-Adjustable-Sit-Stand-2-Inch-Wide/dp/B07585C76B> (Year: 2017).*

* cited by examiner

Primary Examiner — Mary Ann Calabrese

Assistant Examiner — Catherine Ho

(74) *Attorney, Agent, or Firm* — Marshall, Gerstein & Borun LLP

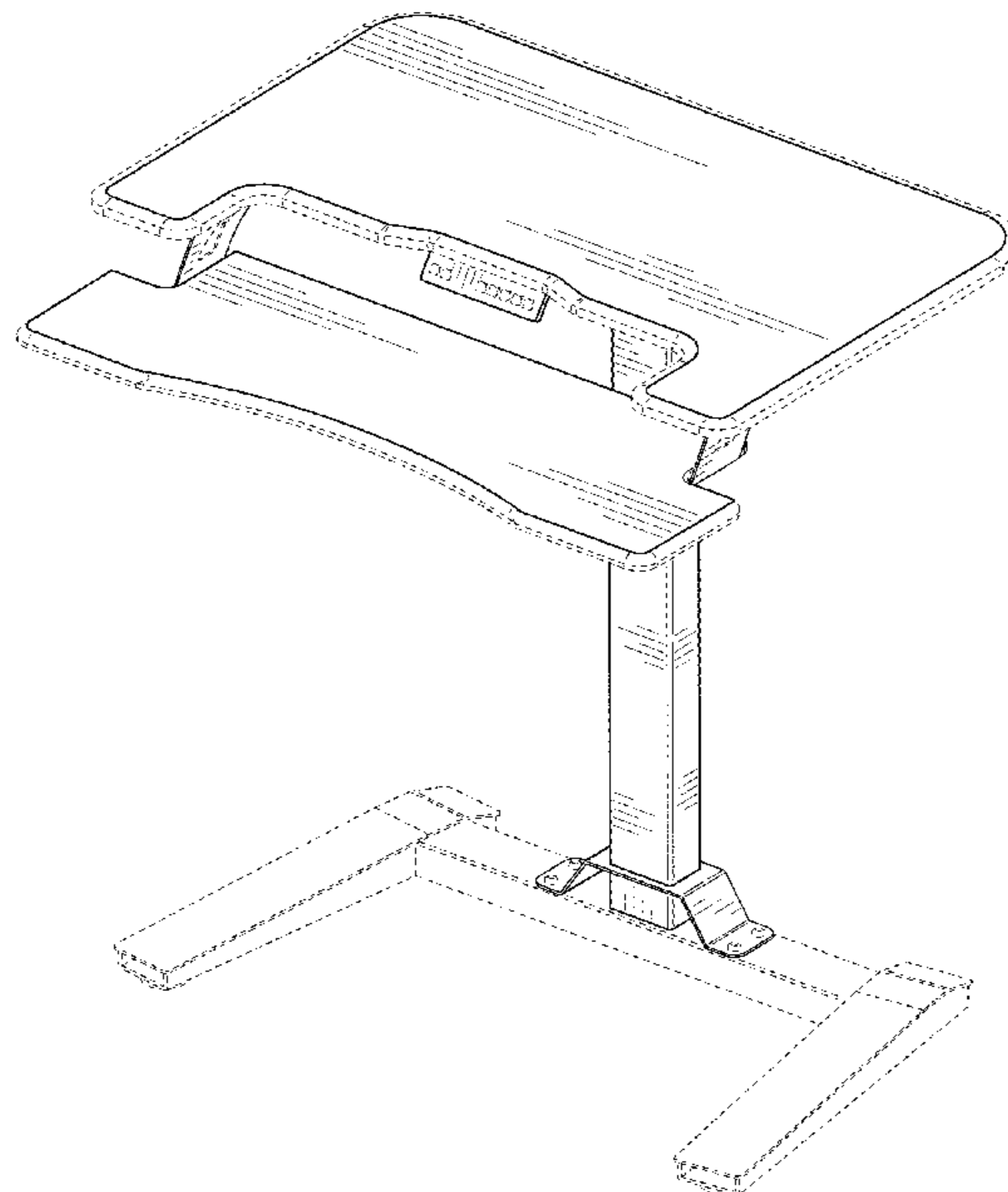
(57) **CLAIM**

The ornamental design for an adjustable height desk with single support, as shown and described.

DESCRIPTION

FIG. 1 is a perspective view showing an adjustable height desk with single support, showing our new design; FIG. 2 is a front view thereof; FIG. 3 is a rear view thereof; FIG. 4 is a left-side view thereof; FIG. 5 is a right-side view thereof; FIG. 6 is a top view thereof; and, FIG. 7 is a bottom view thereof. The broken line portion of the figure drawings is included to show environment that form no part of the claimed design.

1 Claim, 7 Drawing Sheets



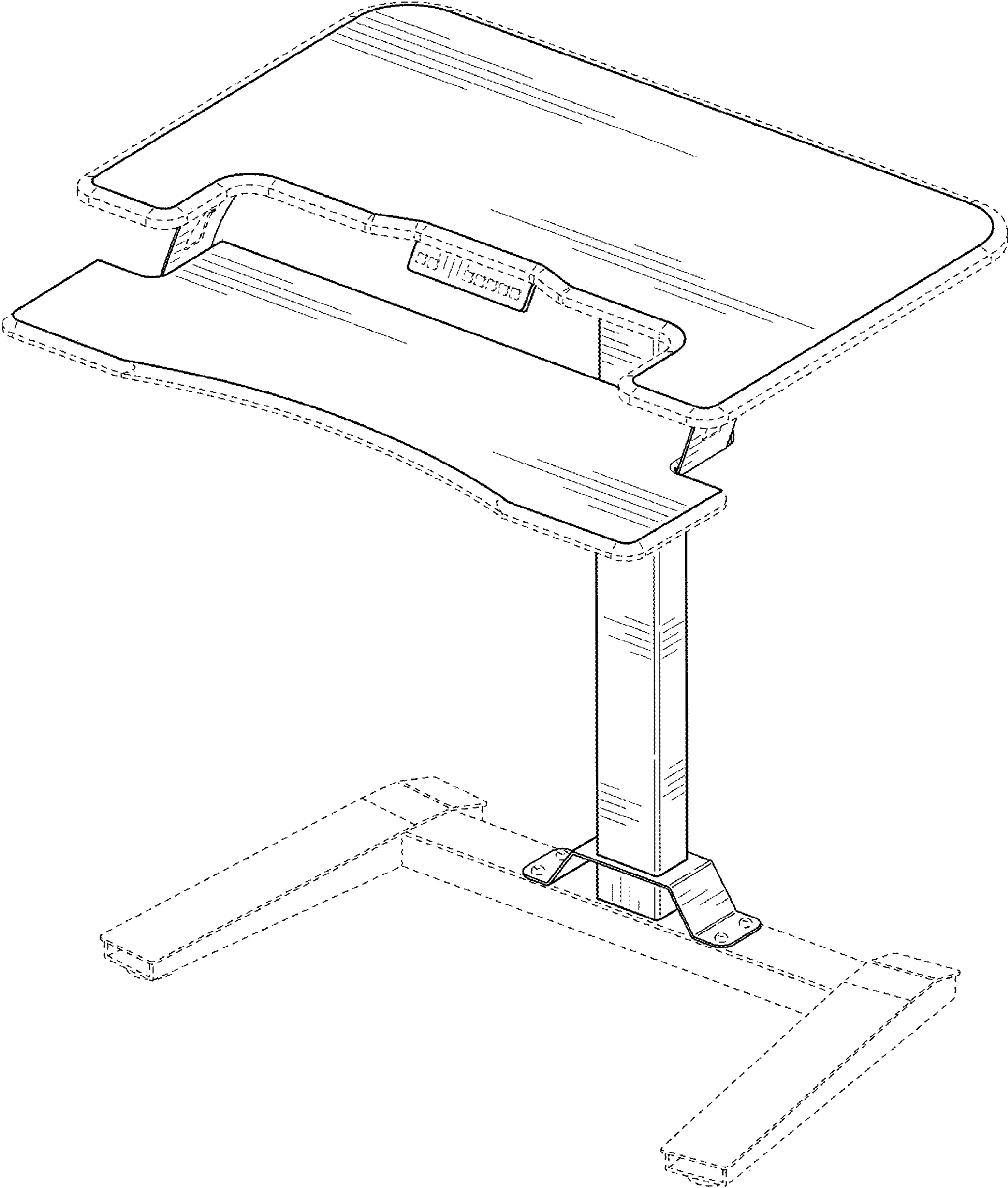


FIG. 1

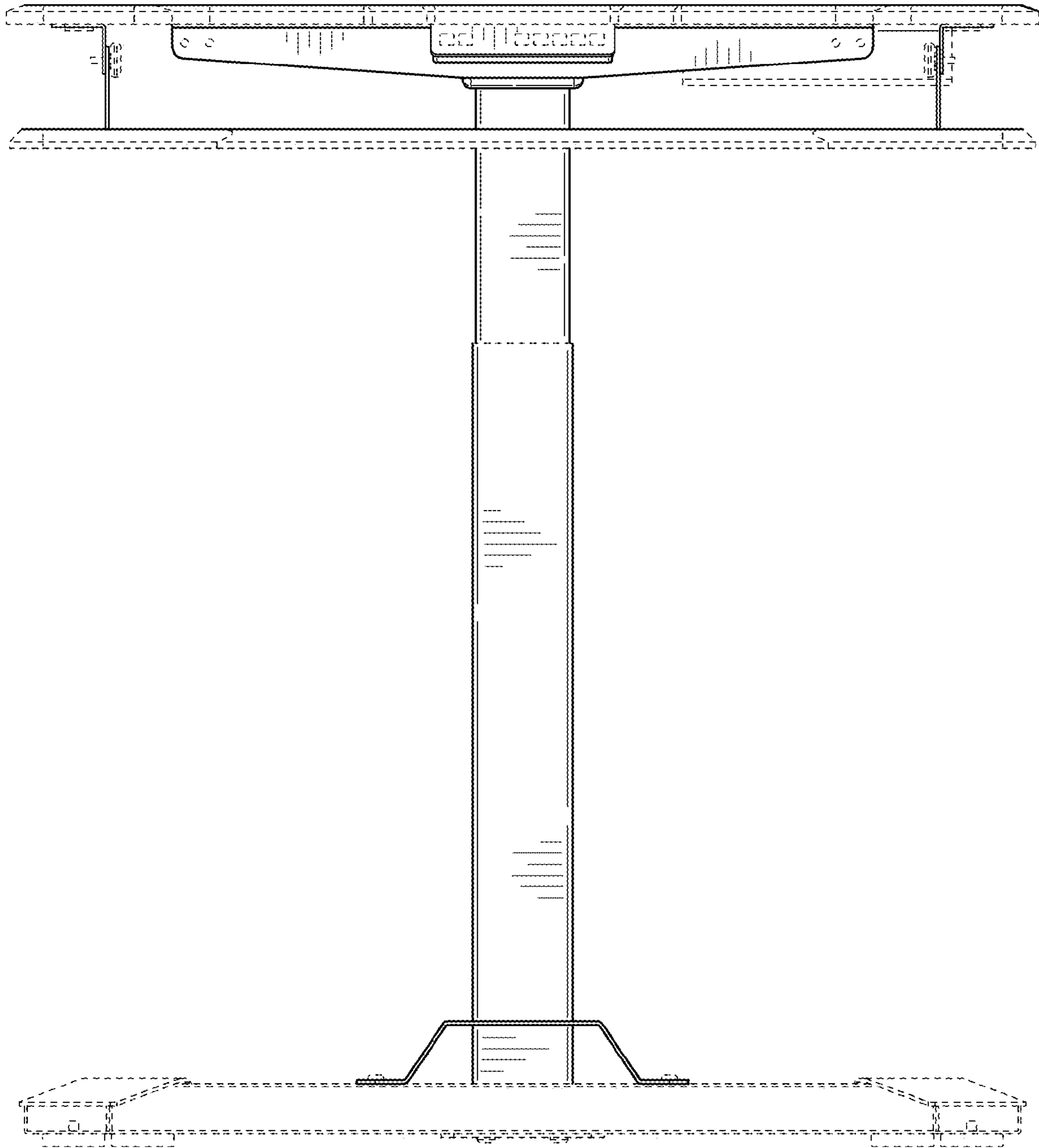


FIG. 2

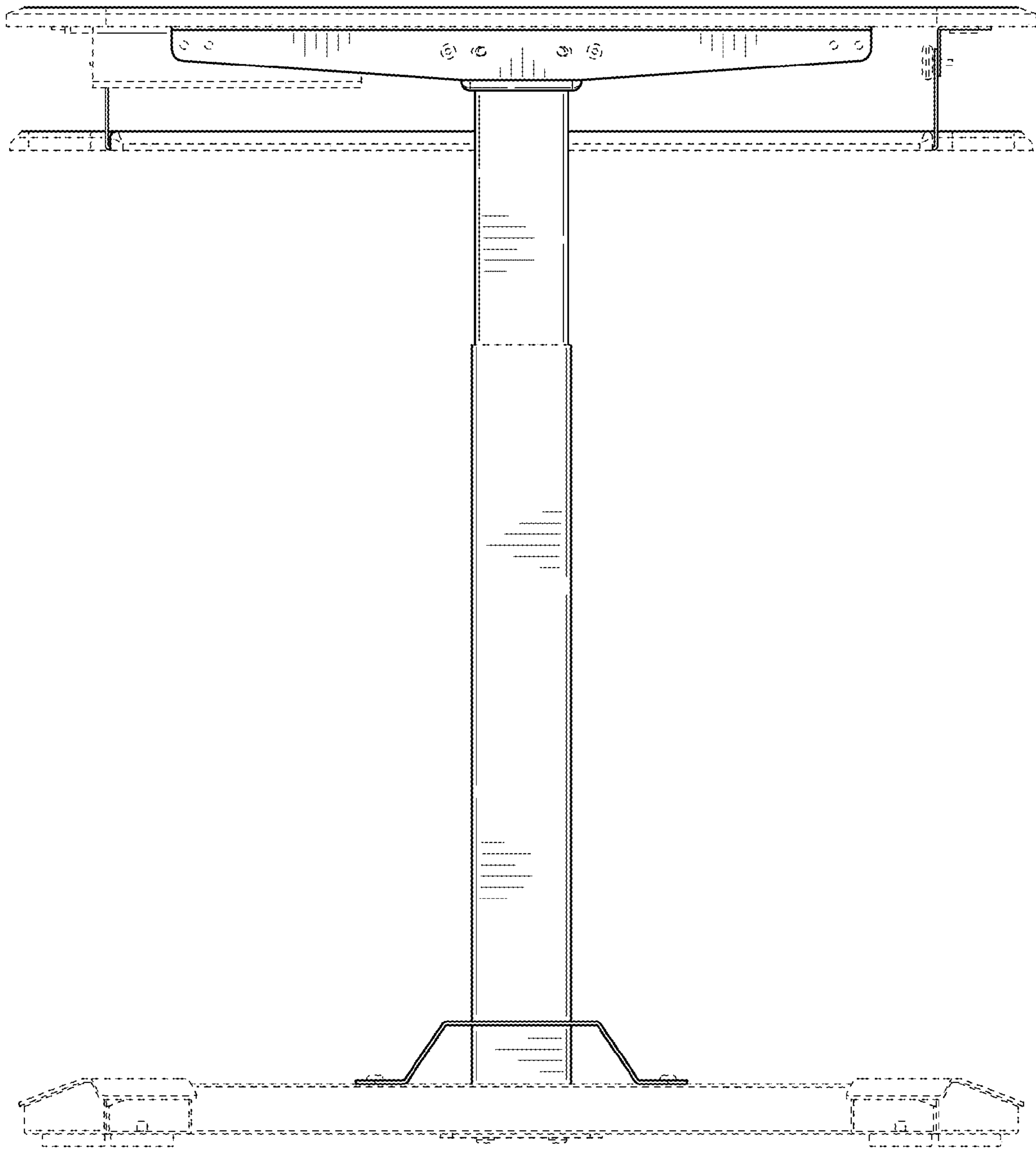


FIG. 3

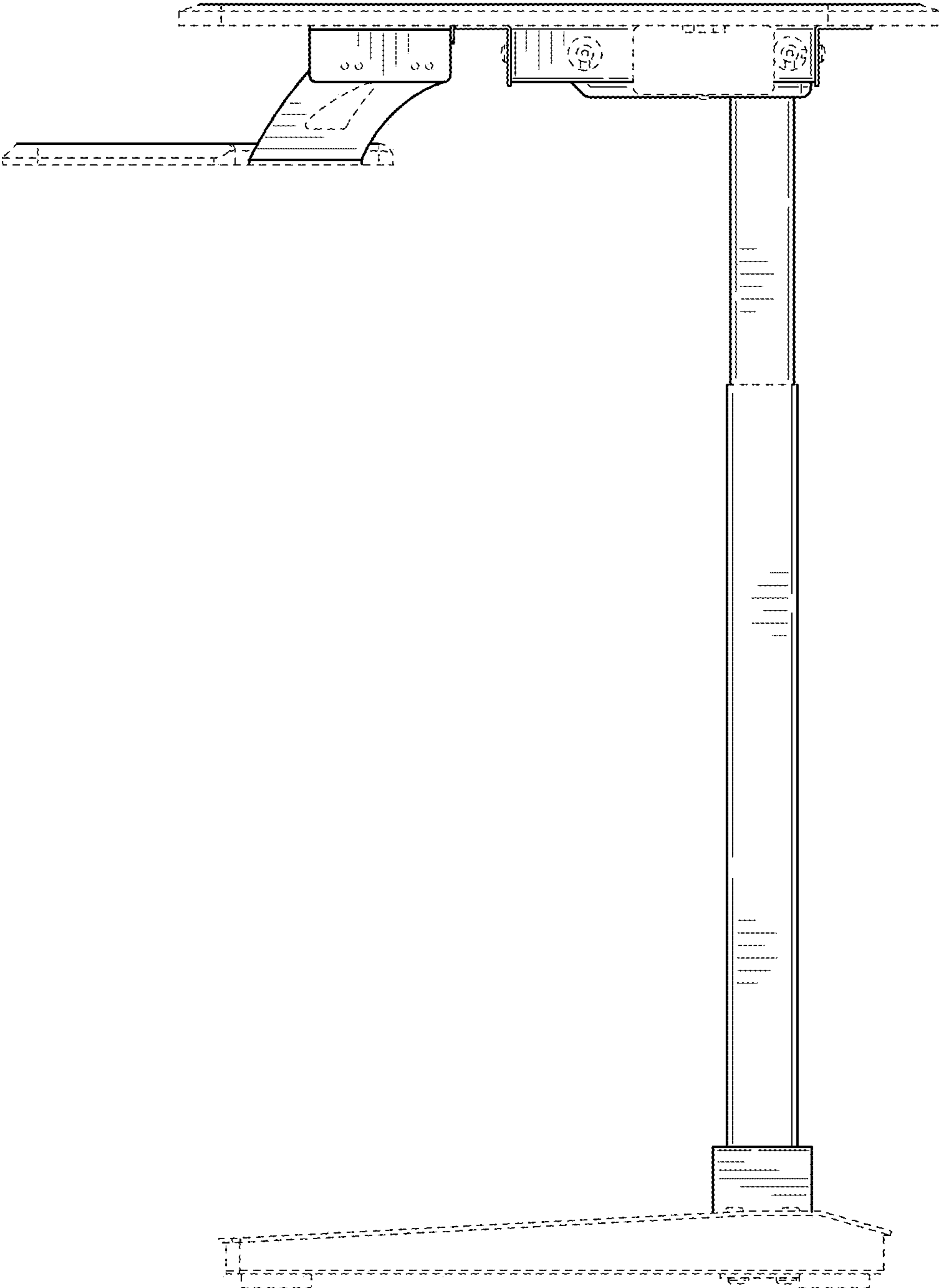


FIG. 4

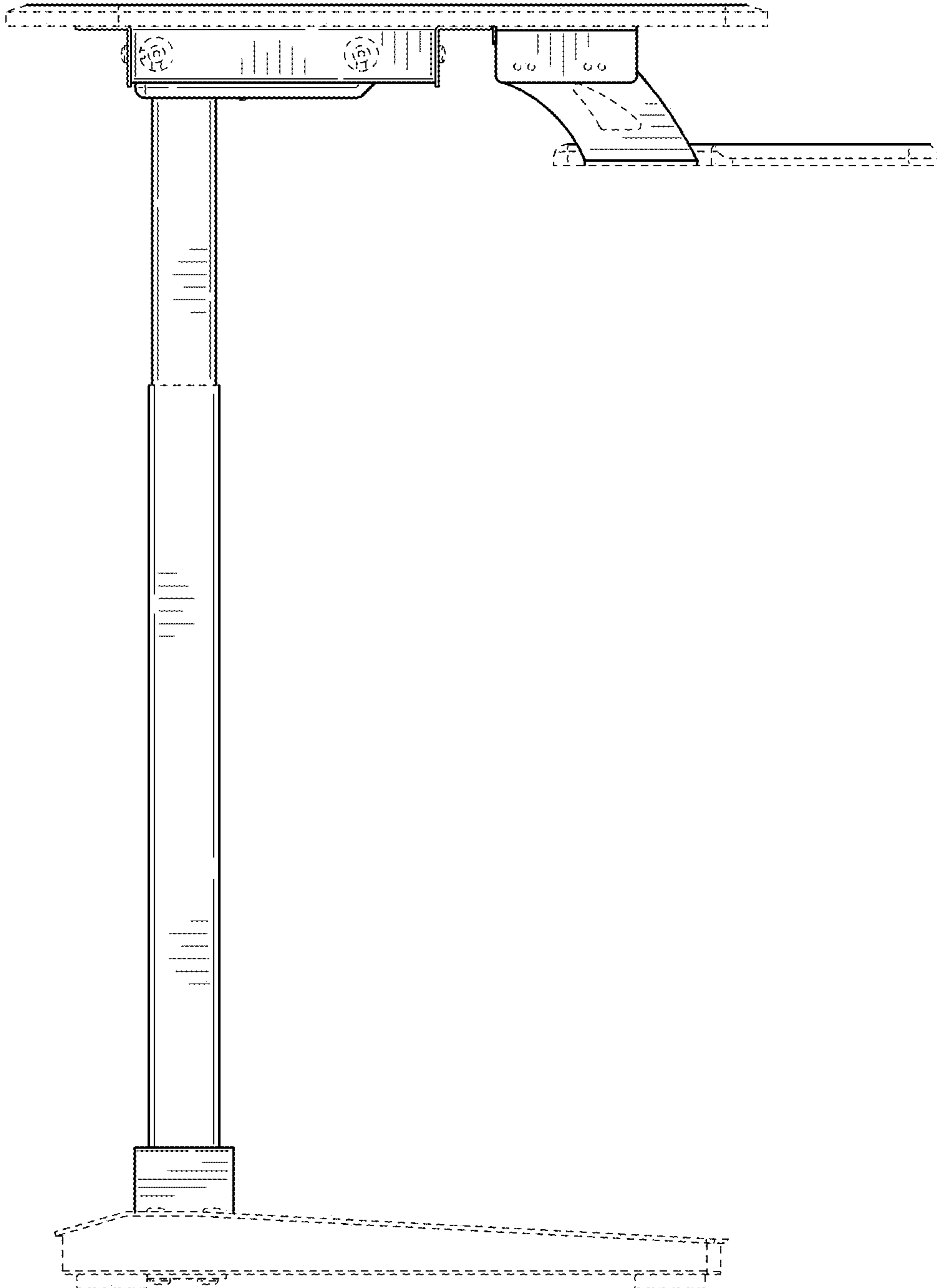


FIG. 5

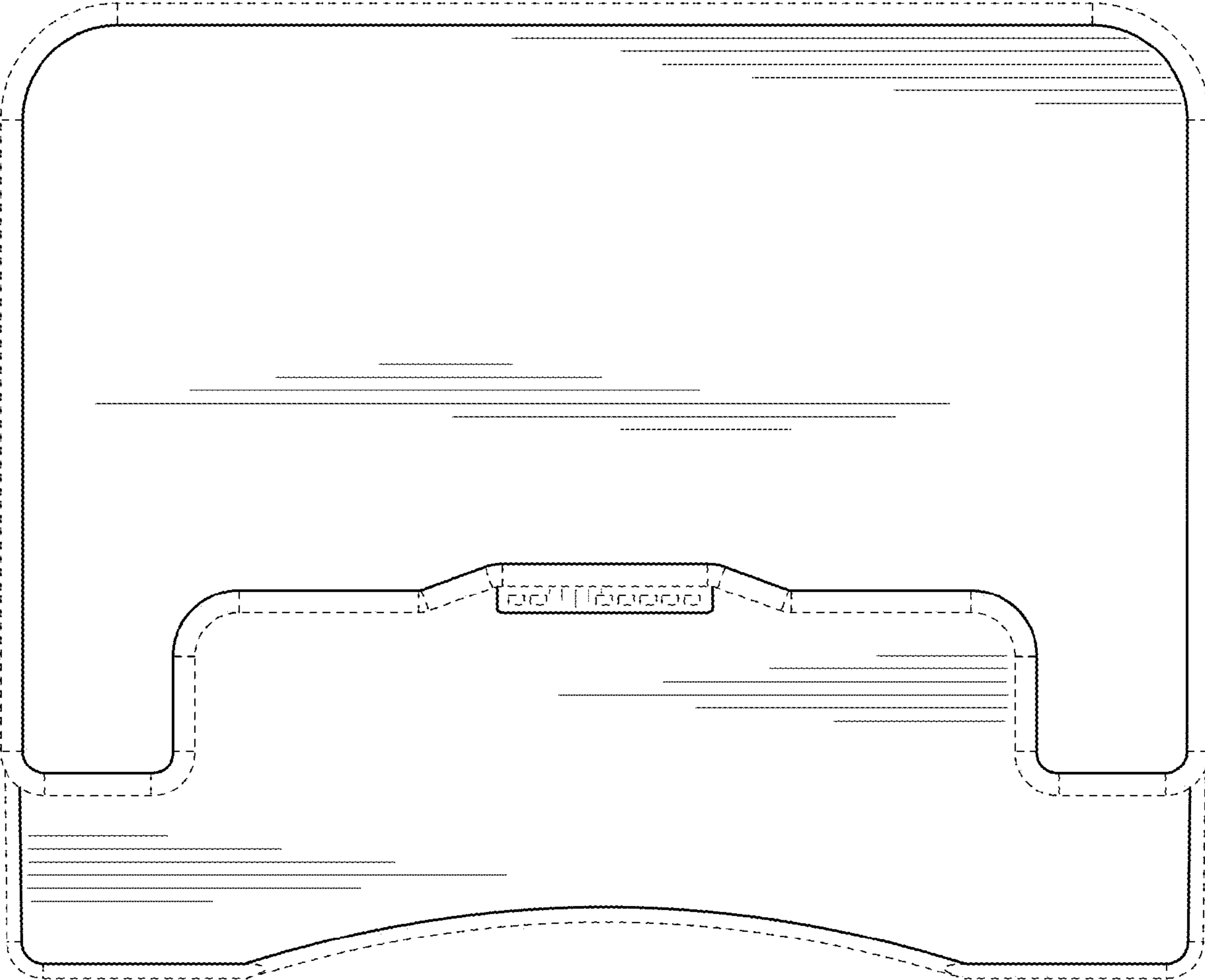


FIG. 6

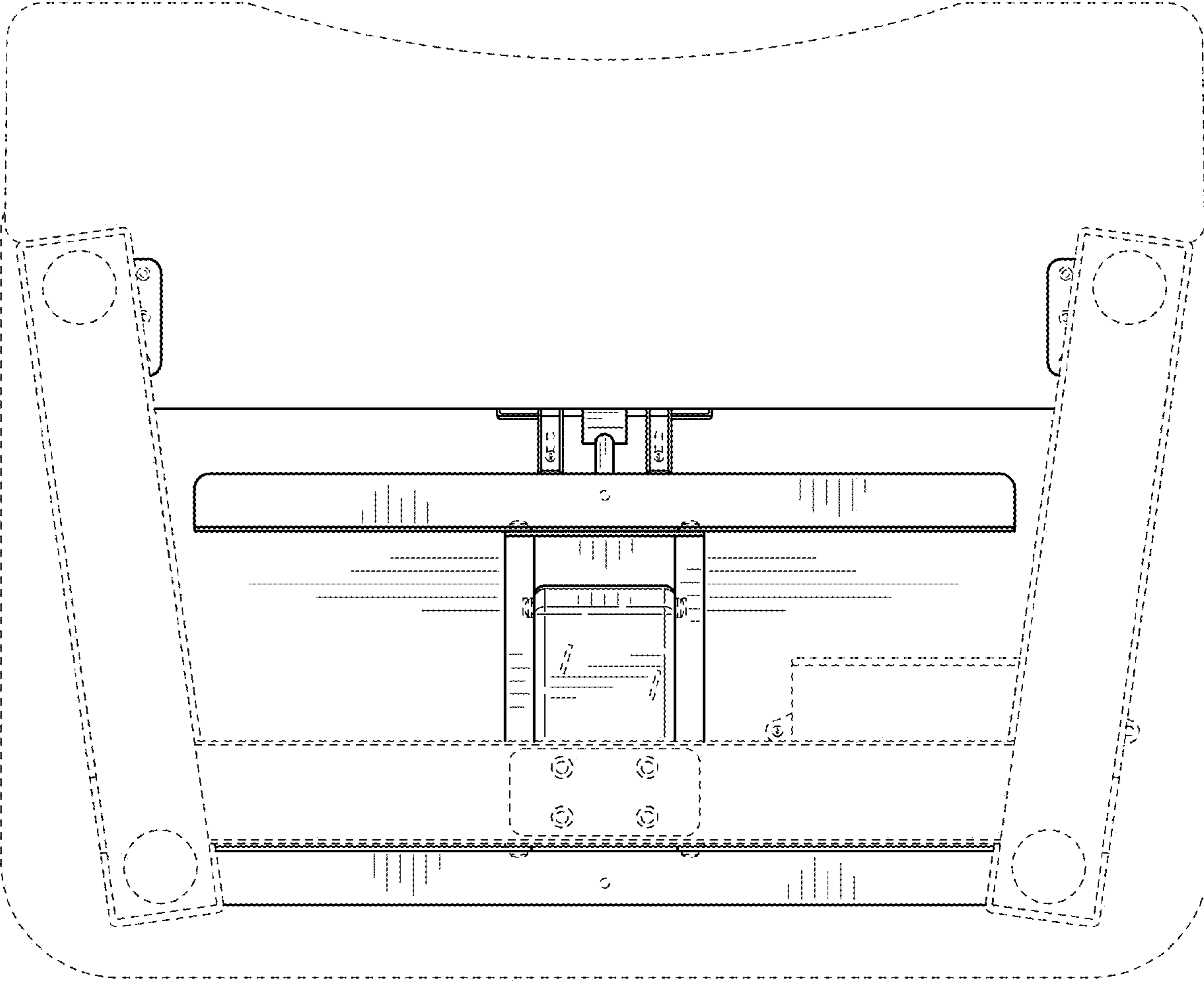


FIG. 7