



US00D885088S

(12) **United States Design Patent** (10) **Patent No.:** **US D885,088 S**  
**Knapp et al.** (45) **Date of Patent:** **\*\* May 26, 2020**

(54) **ADJUSTABLE RISING DESK**  
(71) Applicant: **CKnapp Sales, Inc.**, Goodfield, IL (US)  
(72) Inventors: **Chance Knapp**, Goodfield, IL (US); **Brandon Meyer**, Normal, IL (US)  
(73) Assignee: **CKnapp Sales, Inc.**, Goodfield, IL (US)  
(\*\*) Term: **15 Years**  
(21) Appl. No.: **29/669,038**  
(22) Filed: **Nov. 5, 2018**  
(51) **LOC (12) Cl.** ..... **06-03**  
(52) **U.S. Cl.**  
USPC ..... **D6/655**  
(58) **Field of Classification Search**  
USPC ..... D6/353, 368, 642, 655, 655.1, 655.13, D6/655.14, 655.2, 655.21, 686, 687, 691, D6/691.9, 704, 708  
CPC .... A47B 1/00; A47B 7/00; A47B 9/00; A47B 9/10; A47B 9/16; A47B 2009/006; A47B 11/00; A47B 13/00; A47B 13/081; A47B 21/0073; A47B 21/02; A47B 21/03; A47B 2200/005; A47B 2200/0064  
See application file for complete search history.

D814,214 S \* 4/2018 Flaherty ..... D6/648  
D832,002 S \* 10/2018 Hu ..... D6/655.13  
D836,952 S \* 1/2019 Hu ..... D6/648  
D841,369 S \* 2/2019 Hu ..... D6/655  
D843,137 S \* 3/2019 Hu ..... D6/655  
D845,037 S \* 4/2019 Min ..... D6/655  
D852,548 S \* 7/2019 Hu ..... D6/655  
2019/0110588 A1\* 4/2019 Wong ..... A47B 9/16

**OTHER PUBLICATIONS**

VIVO, posted at Amazon.com, posted on Nov. 24, 2017, site visited Aug. 15, 2019. online, available from internet: <https://www.amazon.com/VIVO-Adjustable-Converter-Tabletop-DESK-V000V/dp/B0784HWPN6> (Year: 2017).\*

\* cited by examiner

*Primary Examiner* — Mary Ann Calabrese

*Assistant Examiner* — Catherine Ho

(74) *Attorney, Agent, or Firm* — Marshall, Gerstein & Borun LLP

(57) **CLAIM**

The ornamental design for an adjustable rising desk, as shown and described.

**DESCRIPTION**

FIG. 1 is a perspective view of an adjustable rising desk, showing our new design;

FIG. 2 is a front view thereof;

FIG. 3 is a rear view thereof;

FIG. 4 is a left-side view thereof;

FIG. 5 is a right-side view thereof;

FIG. 6 is a top view thereof; and,

FIG. 7 is a bottom view thereof.

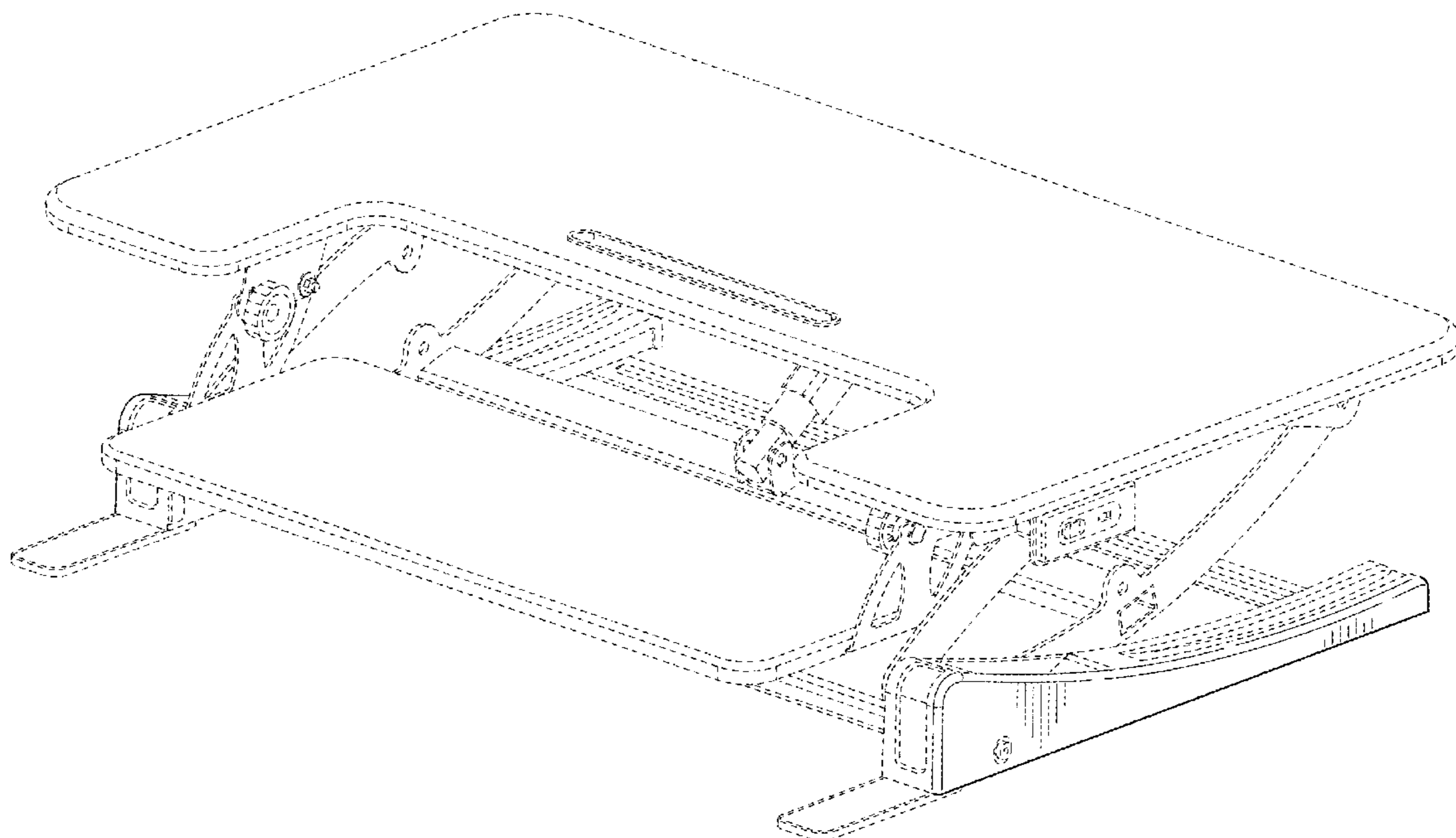
The broken line portion of the figure drawings is included to show environment that form no part of the claimed design.

**1 Claim, 5 Drawing Sheets**

(56) **References Cited**

**U.S. PATENT DOCUMENTS**

D771,982 S \* 11/2016 Flaherty ..... D6/655  
D781,617 S \* 3/2017 Flaherty ..... D6/655  
D781,618 S \* 3/2017 Flaherty ..... D6/655  
D781,619 S \* 3/2017 Flaherty ..... D6/655  
D784,050 S \* 4/2017 Flaherty ..... D6/655



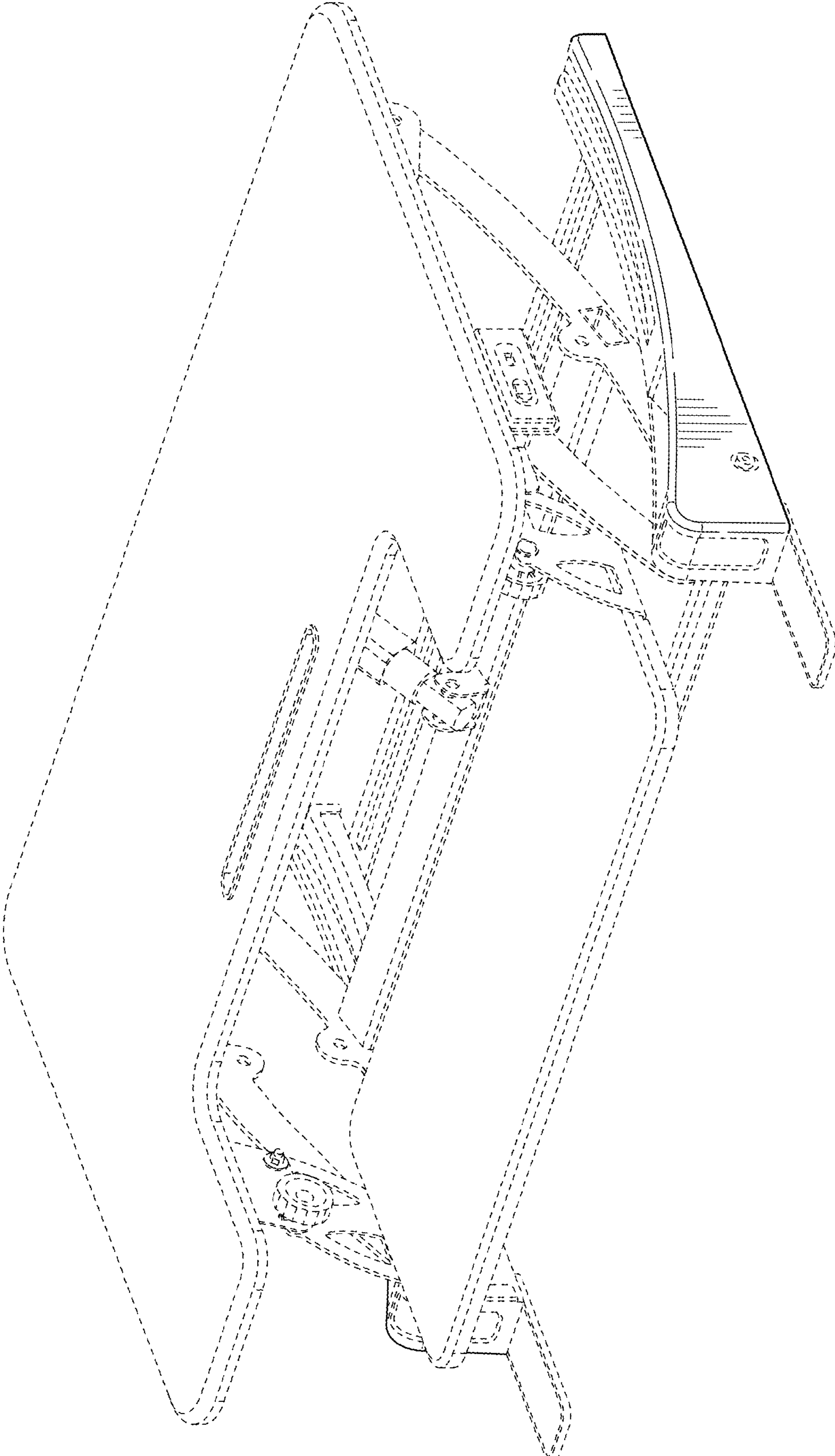


FIG. 1

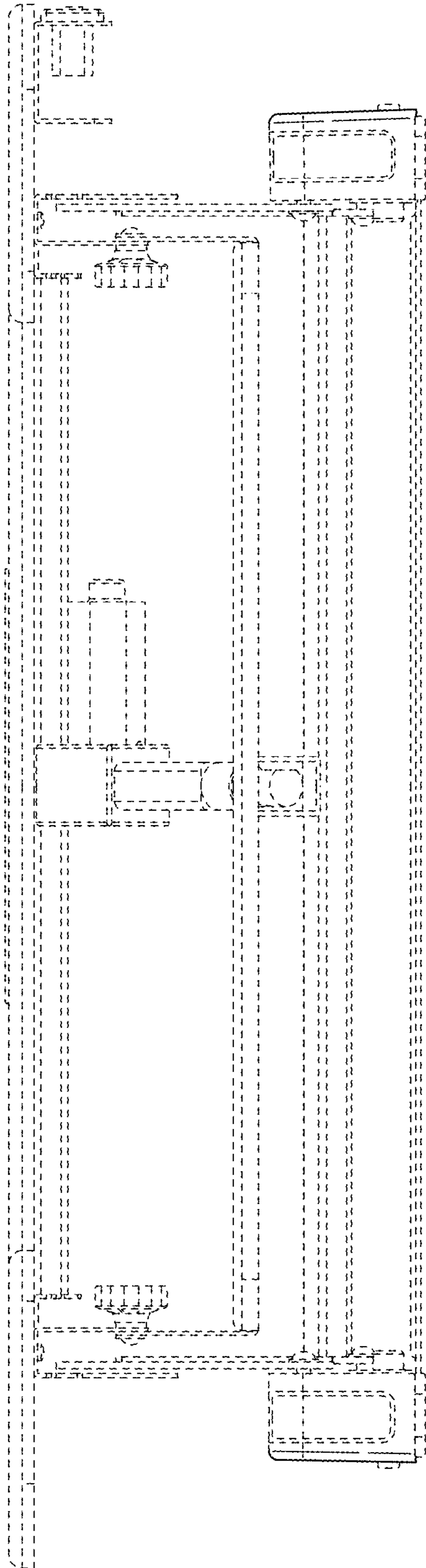


FIG. 2

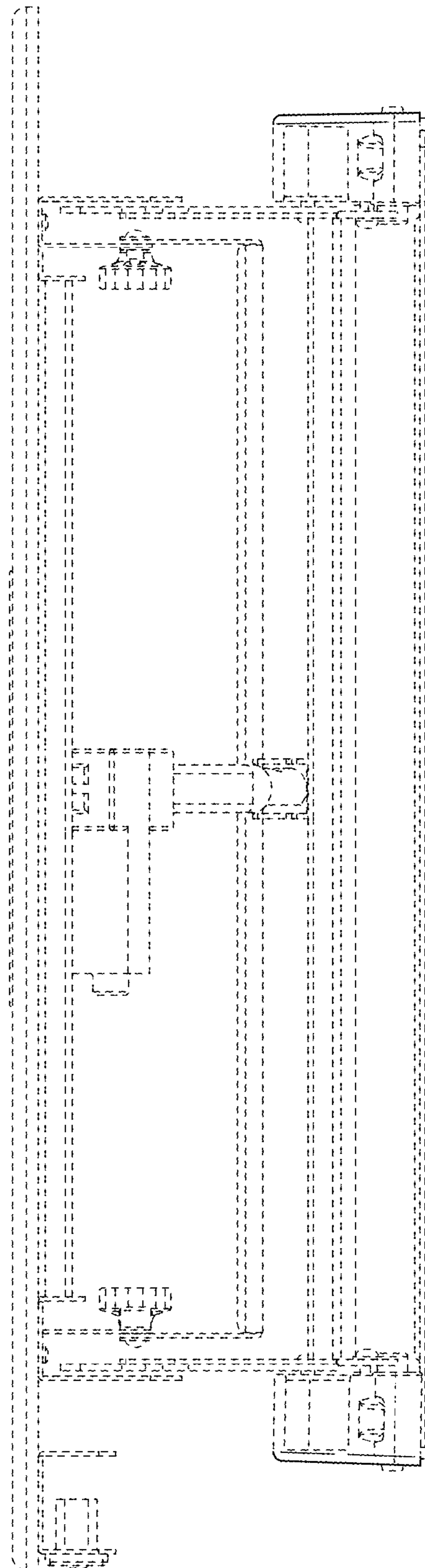


FIG. 3



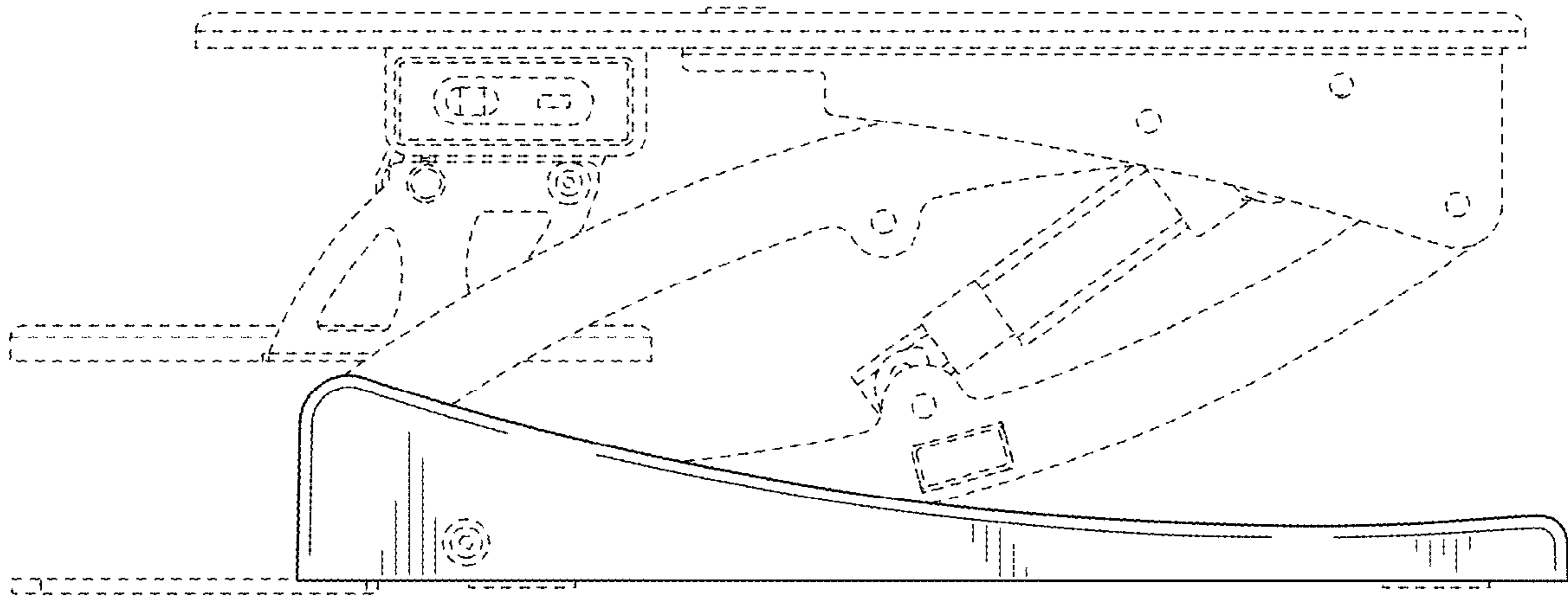


FIG. 4

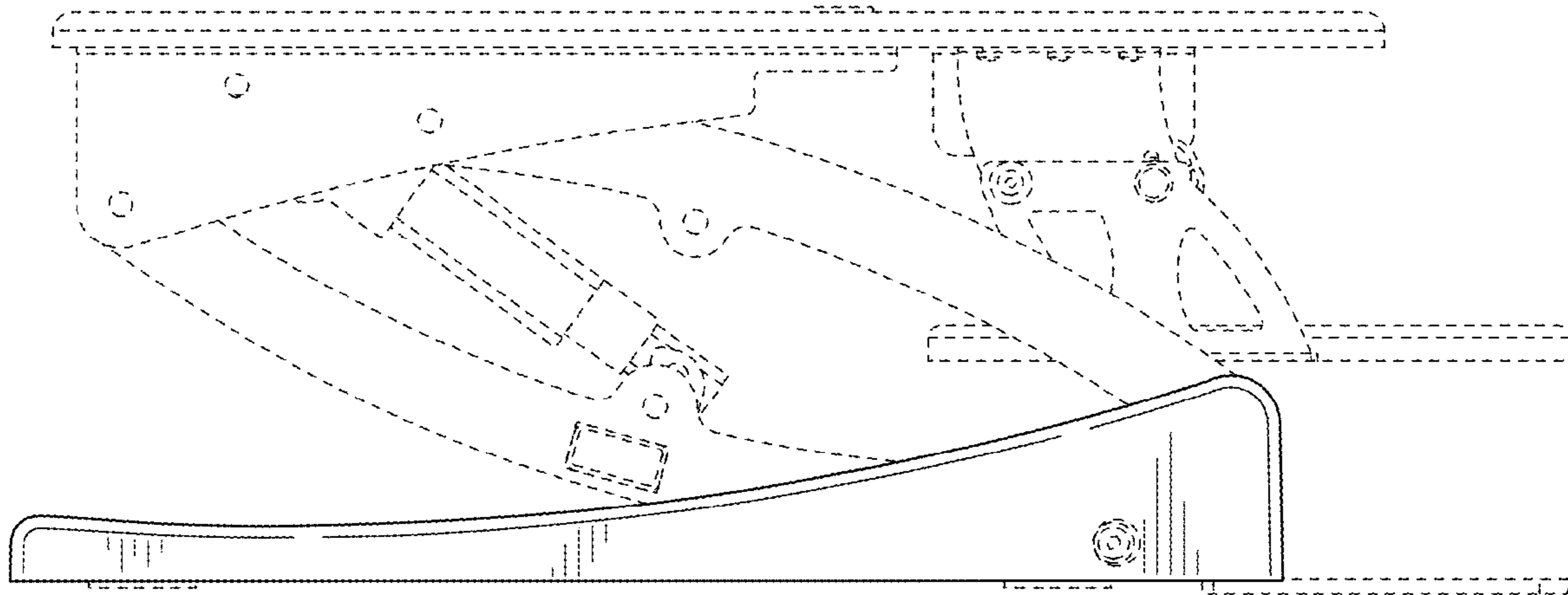


FIG. 5

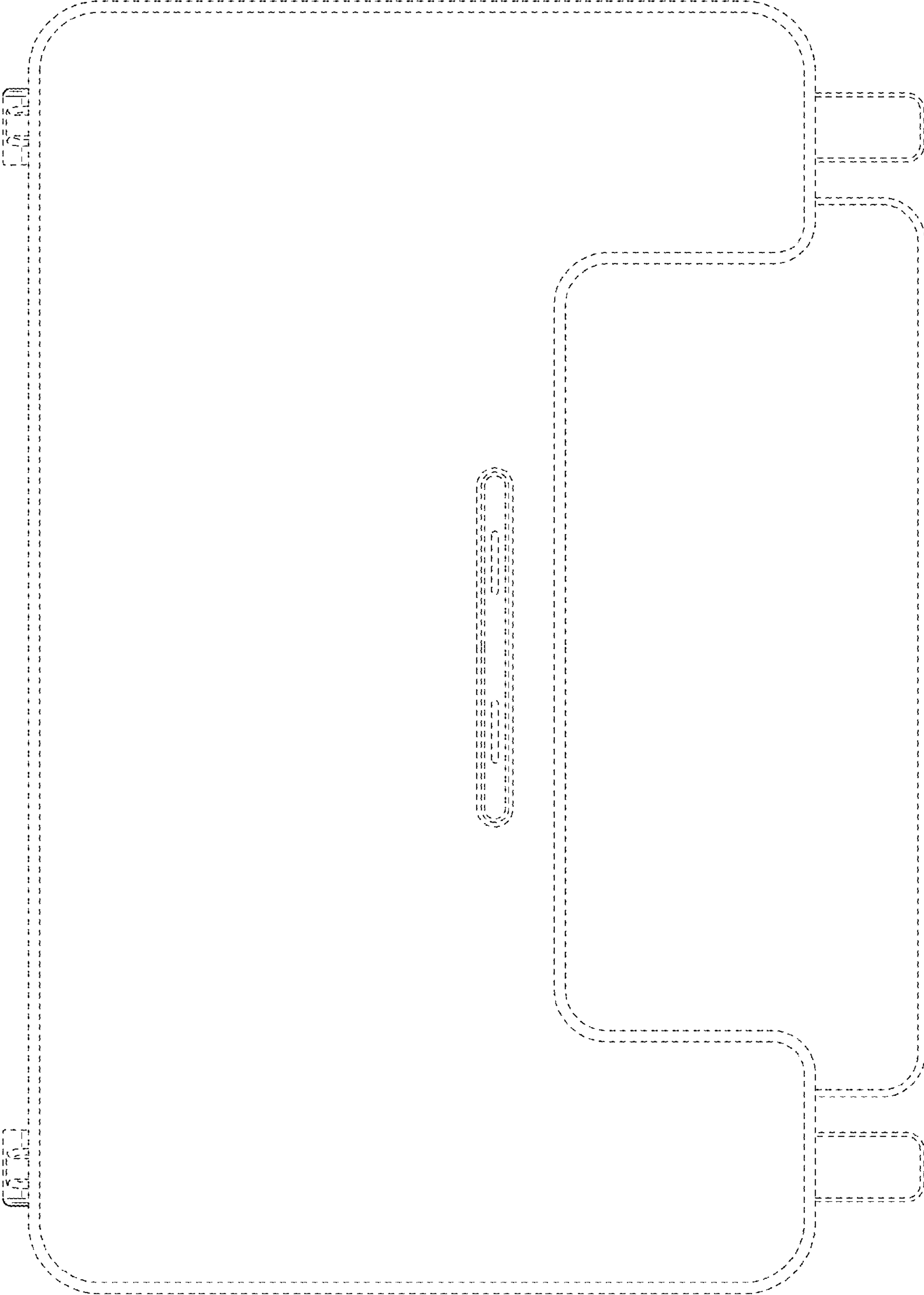


FIG. 6

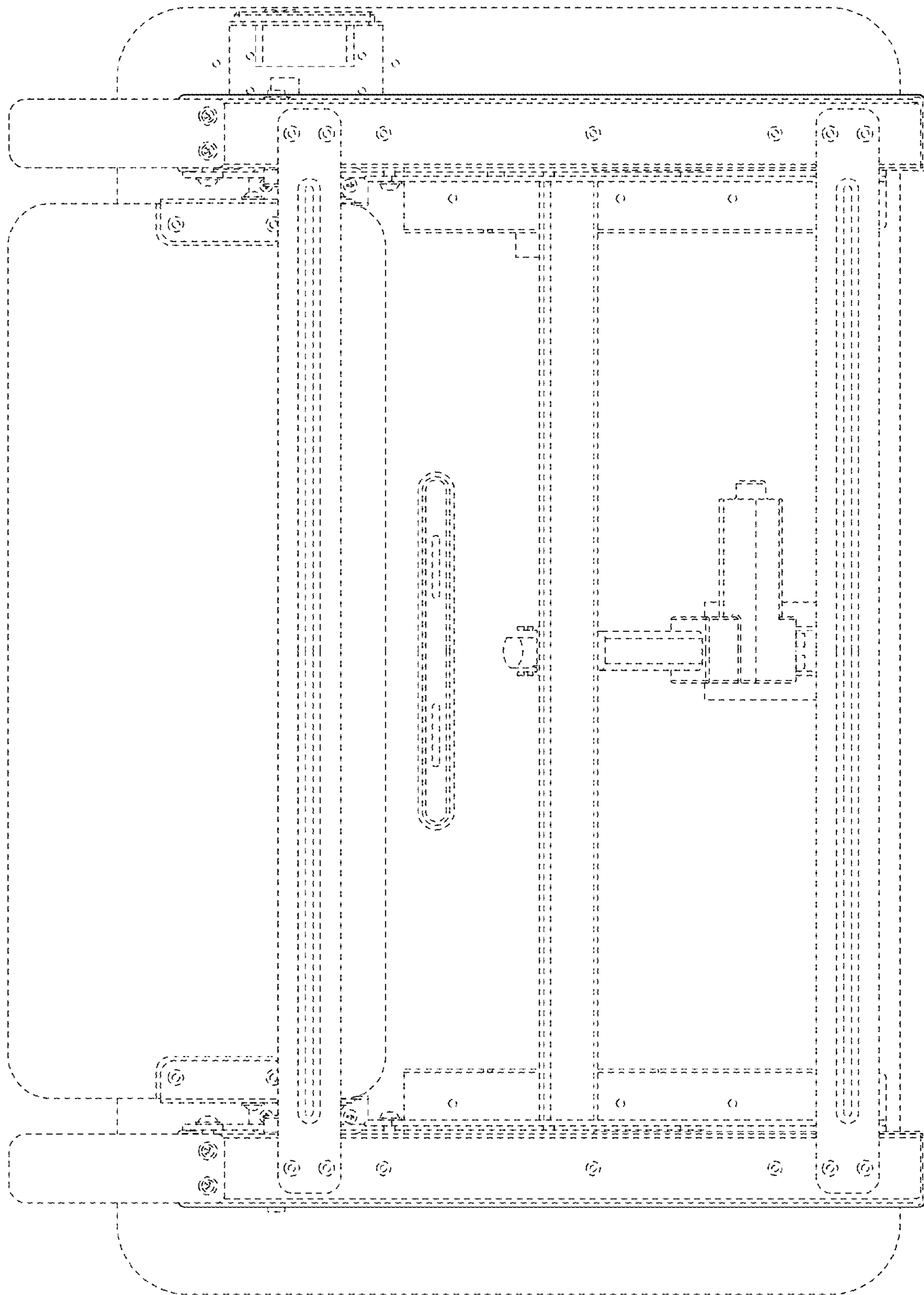


FIG. 7