



US00D885084S

(12) **United States Design Patent**
Chiquin

(10) **Patent No.:** **US D885,084 S**

(45) **Date of Patent:** **** May 26, 2020**

(54) **ROLLER SHADE CASSETTE COVER**

D271,055 S 10/1983 Cascone et al.
4,840,216 A 6/1989 John
4,935,988 A 6/1990 Ford et al.

(71) Applicant: **VERTILUX LIMITED**, Miami, FL
(US)

(Continued)

(72) Inventor: **Edwin Chiquin**, Miami, FL (US)

FOREIGN PATENT DOCUMENTS

(73) Assignee: **Vertilux Limited**, Miami, FL (US)

BG 6230-0011 9/2006
BG 6230-0016 9/2006

(**) Term: **15 Years**

(Continued)

(21) Appl. No.: **29/644,866**

OTHER PUBLICATIONS

(22) Filed: **Apr. 20, 2018**

Bing Search; <http://www.quebanana.com/tienda/herrajesmarino/145224>; Aug. 22, 2013.

(51) **LOC (12) Cl.** **06-10**

Rollashade; Contract Series; <https://www.rollashade.com/contract.html>; Feb. 5, 2018.

(52) **U.S. Cl.**

(Continued)

USPC **D6/580**

(58) **Field of Classification Search**

USPC D6/575-581; D8/358; D13/155;
D25/119, 121, 123, 125; D26/138
CPC . A47H 1/02; A47H 1/04; A47H 1/144; A47H
11/06; A47H 2001/042; A47H 2023/003;
A47H 2023/025; A47H 23/00; A47H
23/01; A47H 23/02; A47H 3/02; A47H
3/06; A47H 3/08; A47H 3/10; A47H
5/00; A47H 5/03; A47H 5/032; A47H
5/06; A47H 5/08; E06B 2009/2622; E06B
2009/285; E06B 9/26; E06B 9/262; E06B
9/30; E06B 9/302; E06B 9/306; E06B
9/307; E06B 9/322; E06B 9/323; E06B
9/324; E06B 9/386; E06B 9/388; E06B
9/40; E06B 9/42; E06B 9/521; E06B
9/56; E06B 9/60; E06B 9/78

See application file for complete search history.

Primary Examiner — Kevin K Rudzinski

Assistant Examiner — Clare Ann Gannon

(74) *Attorney, Agent, or Firm* — Malloy & Malloy P.L.

(57)

CLAIM

The ornamental design for roller shade cassette cover, as shown and described.

DESCRIPTION

FIG. 1 is a front perspective view illustrating my design for a roller shade cassette cover;
FIG. 2 is a front perspective view thereof;
FIG. 3 is a right side view thereof;
FIG. 4 is a left side view thereof;
FIG. 5 is a top view thereof;
FIG. 6 is a top perspective view thereof;
FIG. 7 is a rear view thereof;
FIG. 8 is a rear perspective view thereof;
FIG. 9 is a bottom view thereof; and,
FIG. 10 is a bottom perspective view thereof.
The broken lines in the drawings are included for purposes of illustrating portions of the roller shade cassette cover, but form no part of the claimed design.

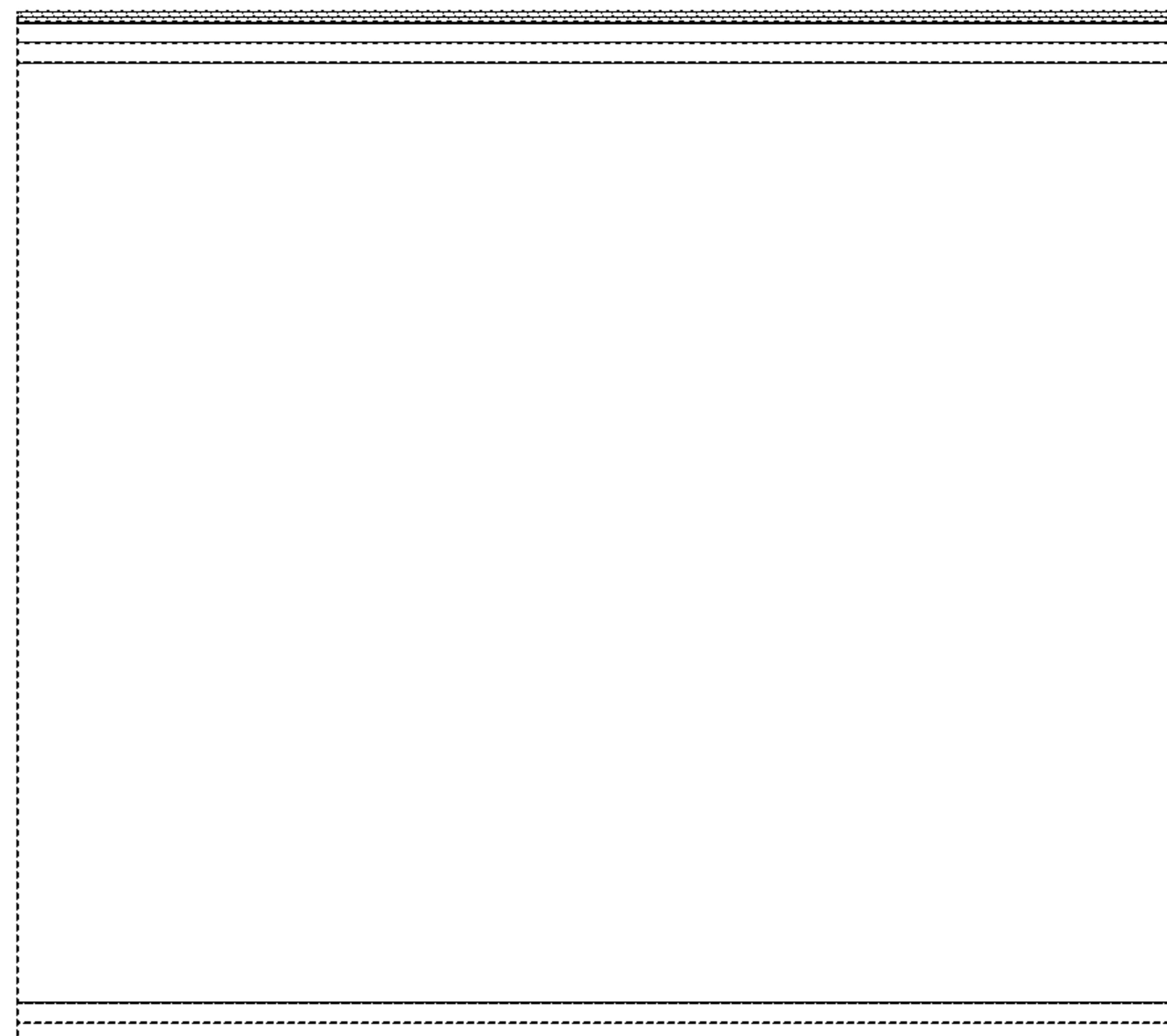
(56)

References Cited

U.S. PATENT DOCUMENTS

2,549,905 A 4/1951 Jablon
3,297,075 A 1/1967 Howell et al.
3,417,519 A 12/1968 Hitter
4,122,559 A 10/1978 Kelly

1 Claim, 10 Drawing Sheets



(56)

References Cited

U.S. PATENT DOCUMENTS

4,987,943 A 1/1991 Charest
 5,137,073 A 8/1992 Huang
 5,232,039 A 8/1993 Shapiro et al.
 5,259,687 A 11/1993 John
 5,271,687 A 12/1993 Holka et al.
 D345,498 S 3/1994 Fraser et al.
 5,330,821 A 7/1994 Lo
 D355,094 S * 2/1995 Josephson D6/577
 D355,604 S 2/1995 De Baschmakoff
 5,803,144 A 9/1998 Ives
 D405,194 S 2/1999 Kenkel
 5,924,255 A 7/1999 Vagedes
 5,975,186 A 11/1999 Day
 5,983,972 A 11/1999 Chou
 D429,588 S 8/2000 Smederod
 6,111,694 A 8/2000 Shopp
 6,173,825 B1 1/2001 Liu
 6,196,508 B1 3/2001 Nijs
 6,202,967 B1 * 3/2001 Fraczek A47H 23/01
 160/166.1
 D440,099 S 4/2001 Hortsen
 6,234,233 B1 5/2001 Biro
 6,269,909 B1 8/2001 Grimes et al.
 6,408,922 B2 6/2002 Desrochers
 6,532,109 B1 3/2003 Shopp
 6,666,251 B2 12/2003 Ikle
 D489,209 S 5/2004 Goldberg
 6,739,373 B1 5/2004 Liu et al.
 D494,401 S 8/2004 Davies et al.
 6,817,402 B1 * 11/2004 Fraczek E06B 9/42
 160/323.1
 7,048,028 B2 5/2006 Wolfe et al.
 D530,967 S * 10/2006 Smith E06B 9/42
 D6/580
 7,141,164 B2 11/2006 Slack et al.
 7,195,052 B2 3/2007 Nien et al.
 D542,068 S * 5/2007 Watkins E06B 9/262
 D6/580
 7,210,513 B2 5/2007 Goldenberg et al.
 D557,116 S 12/2007 Bracket
 7,353,857 B2 4/2008 Koop
 7,367,536 B1 5/2008 Anderson et al.
 7,380,582 B1 6/2008 Anderson et al.
 D573,267 S 7/2008 Brinton et al.
 D596,435 S 7/2009 Willis
 D634,573 S 3/2011 Risher
 7,997,041 B2 8/2011 Slack et al.
 8,136,569 B2 3/2012 Bohlen et al.
 D675,050 S 1/2013 Garcia
 D680,357 S * 4/2013 Wills D6/580
 8,480,048 B2 7/2013 Krantz-Lilienthal
 8,528,623 B2 9/2013 Roberts
 D694,039 S 11/2013 Licciardi Di Stefano
 D699,976 S * 2/2014 Chou E06B 9/42
 D6/580
 D710,128 S 8/2014 Garcia
 D715,629 S 10/2014 Grubb et al.
 8,960,621 B2 2/2015 Wills
 9,004,142 B2 4/2015 Marocco
 9,060,636 B2 6/2015 Cannaverde
 D740,589 S 10/2015 Ng
 D753,933 S 4/2016 Ng
 D759,400 S * 6/2016 Watkins E06B 9/322
 D6/580
 D762,398 S 8/2016 Ng
 9,498,079 B2 11/2016 Sanchuk
 D775,939 S 1/2017 Ng
 D780,945 S 3/2017 Guillemi
 D789,454 S 6/2017 Prisnie
 D791,580 S 7/2017 Chou
 D808,684 S 1/2018 Santilli
 D822,228 S 7/2018 Wang et al.
 D828,052 S 9/2018 Bouroullec et al.
 D833,175 S 11/2018 Miroshnichenko et al.

D843,130 S 3/2019 Bacal
 10,309,153 B2 6/2019 Mcpherson
 D854,855 S 7/2019 Garcia Garcia
 D854,856 S 7/2019 Garcia Garcia
 2003/0178276 A1 9/2003 Fraczek et al.
 2004/0182522 A1 * 9/2004 Strand E06B 9/262
 160/84.05
 2005/0247413 A1 11/2005 Nien et al.
 2006/0000559 A1 1/2006 Bohlen
 2006/0243402 A1 11/2006 Chang
 2007/0169900 A1 7/2007 Chen et al.
 2007/0284051 A1 12/2007 Grimes et al.
 2009/0250177 A1 10/2009 Byeon
 2009/0258752 A1 10/2009 Bohlen et al.
 2010/0101741 A1 4/2010 Koop
 2010/0175838 A1 * 7/2010 Faller E06B 9/322
 160/310
 2010/0300631 A1 12/2010 Sullivan
 2011/0006176 A1 1/2011 Krantz-Lilienthal
 2011/0114809 A1 * 5/2011 Ng E06B 9/323
 248/309.1
 2012/0012262 A1 * 1/2012 Santoro E06B 9/42
 160/272
 2012/0031572 A1 2/2012 Ng et al.
 2012/0255686 A1 10/2012 Huang
 2013/0048229 A1 2/2013 Dwarka
 2013/0068405 A1 3/2013 Lava et al.
 2013/0098563 A1 * 4/2013 Jang E06B 9/42
 160/120
 2014/0048218 A1 * 2/2014 Ng E06B 9/42
 160/293.1
 2014/0251558 A1 * 9/2014 Chou E06B 9/42
 160/323.1
 2014/0262076 A1 9/2014 Mullet
 2014/0305602 A1 10/2014 Kirby et al.
 2014/0352897 A1 12/2014 Mullet
 2015/0027059 A1 1/2015 Lu
 2015/0275571 A1 10/2015 Guhl
 2015/0297014 A1 10/2015 Cannaverde
 2015/0368970 A1 12/2015 Chambers et al.
 2016/0051074 A1 2/2016 Chou
 2016/0090779 A1 3/2016 Nurre et al.
 2016/0326800 A1 * 11/2016 Marocco E06B 9/42
 2016/0340972 A1 11/2016 Chou
 2017/0079459 A1 3/2017 Filko
 2018/0087319 A1 * 3/2018 McPherson E06B 9/42

FOREIGN PATENT DOCUMENTS

BR 3020120013798 2/2013
 BR 3020120056900 3/2016
 CN 2012300548304 3/2013
 CN 2012303568969 4/2013
 CO 282 7/2012
 CO 751520 10/2012
 EM 000113899-0003 4/2003
 EM 000275839-0002 12/2004
 EM 000279633-0001 1/2005
 EM 000518923-0001 4/2006
 EM 000795752-0001 9/2007
 EM 001084370-0013 2/2009
 EM 001102875-0002 3/2009
 EM 0013369940001 7/2012
 EM 003342013-0012 8/2016
 GB 2052622 12/1995
 MX 38640 5/2013
 PE 002031-2018 1/2019
 WO WO D068016-0004 6/2006
 WO WO D086931-0004 6/2015

OTHER PUBLICATIONS

Rolleaseacmeda; System—Quick Reference Quid; https://www.rolleacmeda.com/docs/default-source/default-document-library/edge-side/channels_grg_us_v1-0.pdf?sfvrsn=0&sfvrsn=0; Feb. 5, 2018.

* cited by examiner

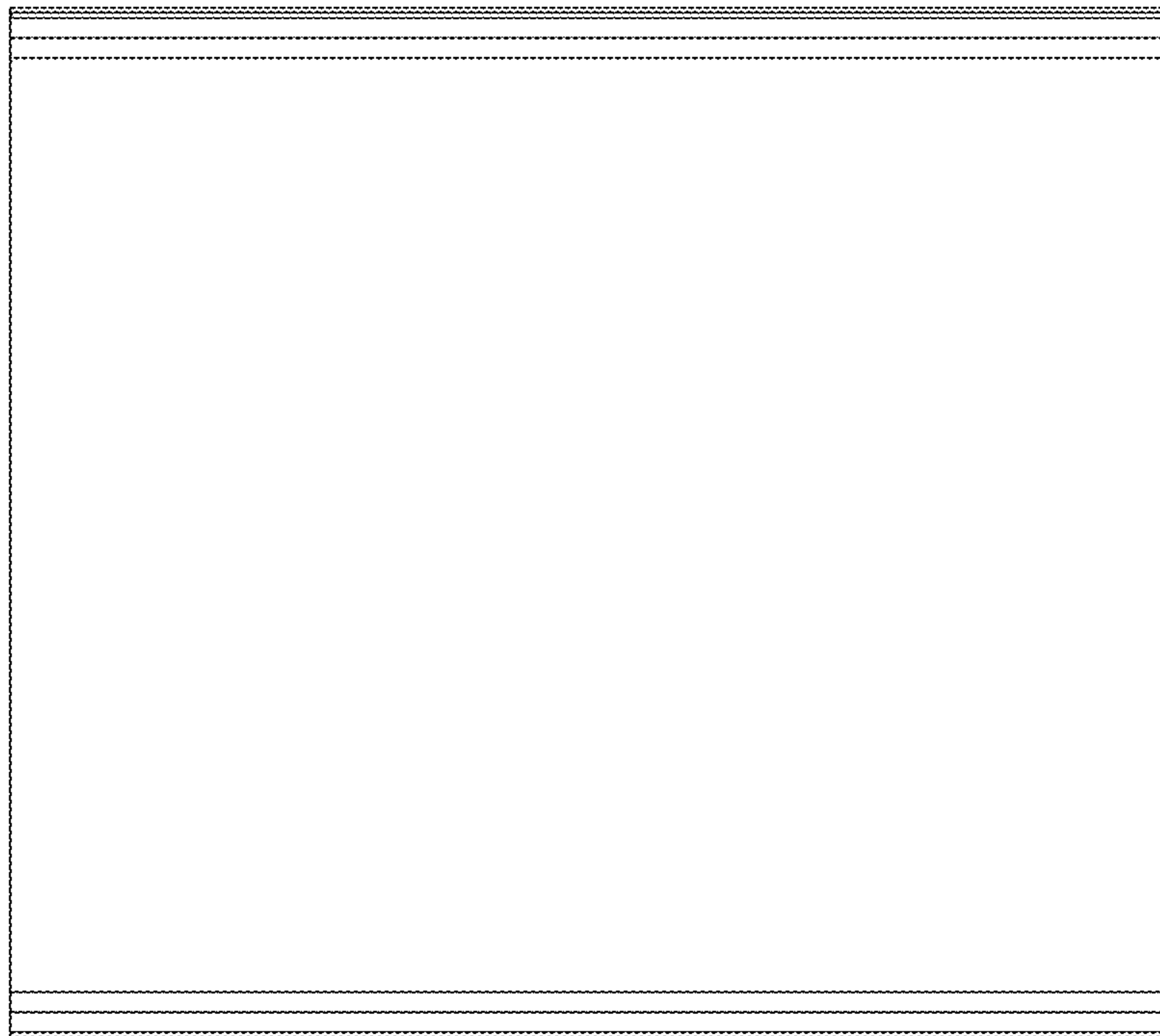


FIG.1

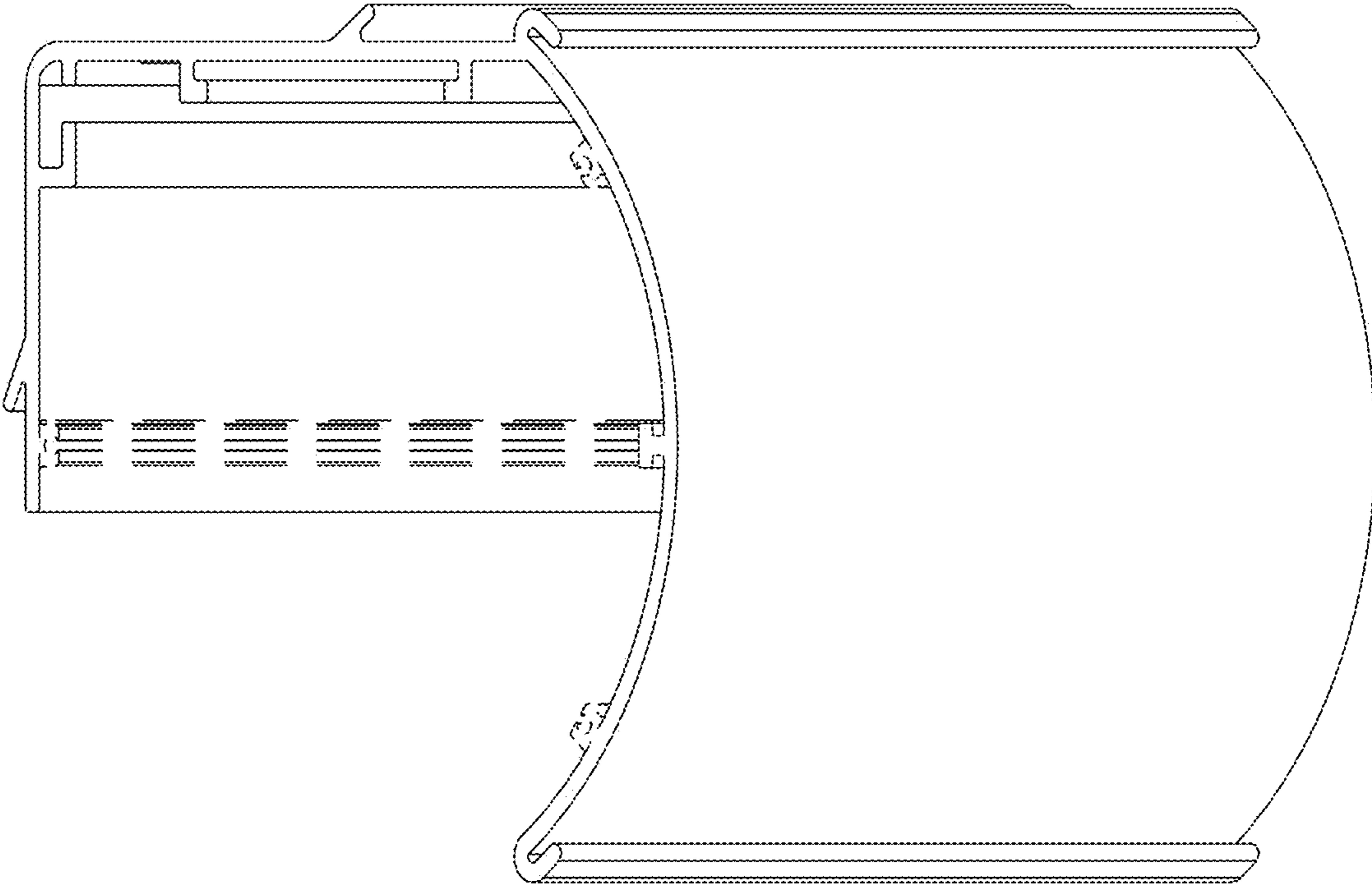


FIG.2

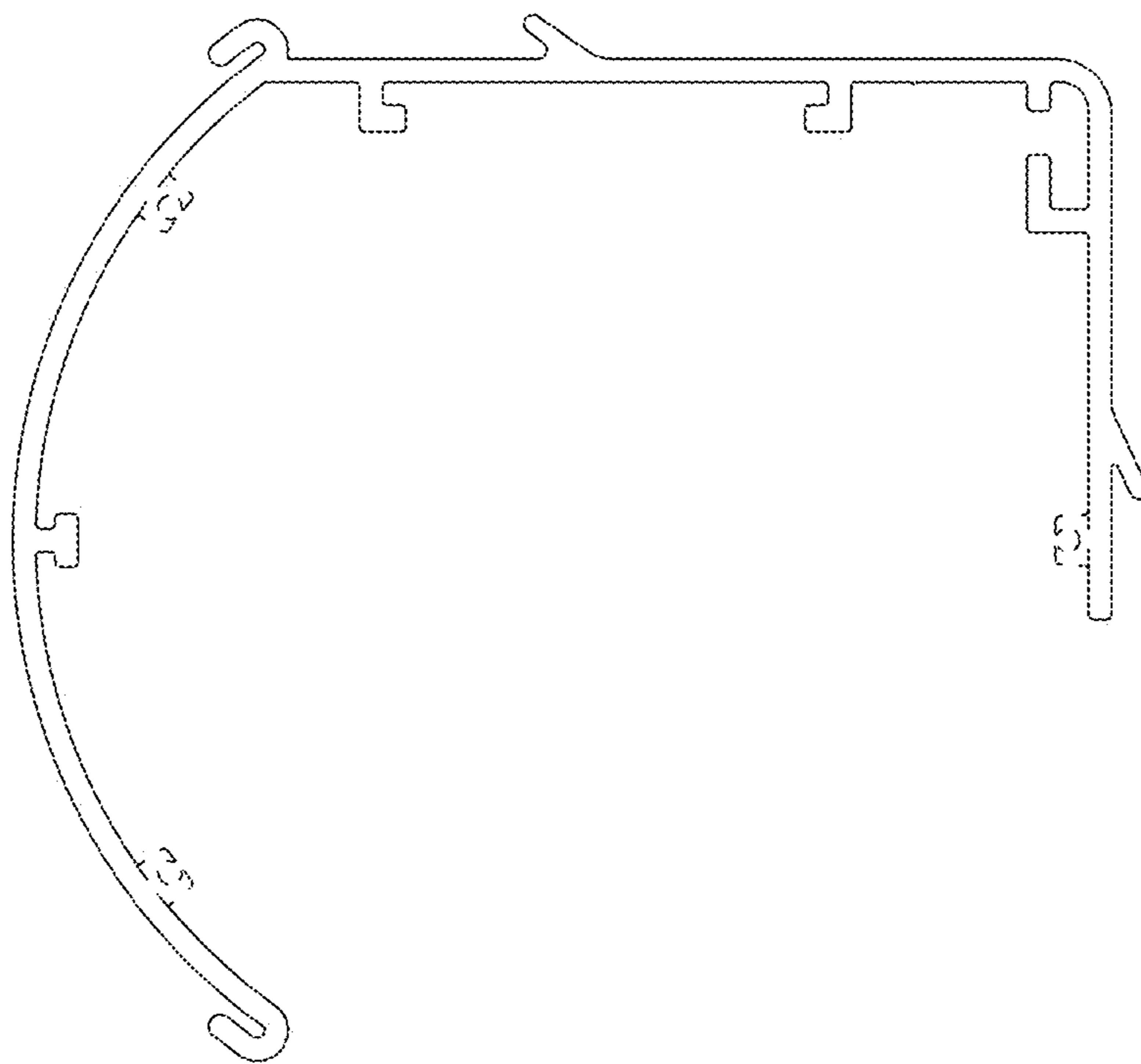


FIG.3

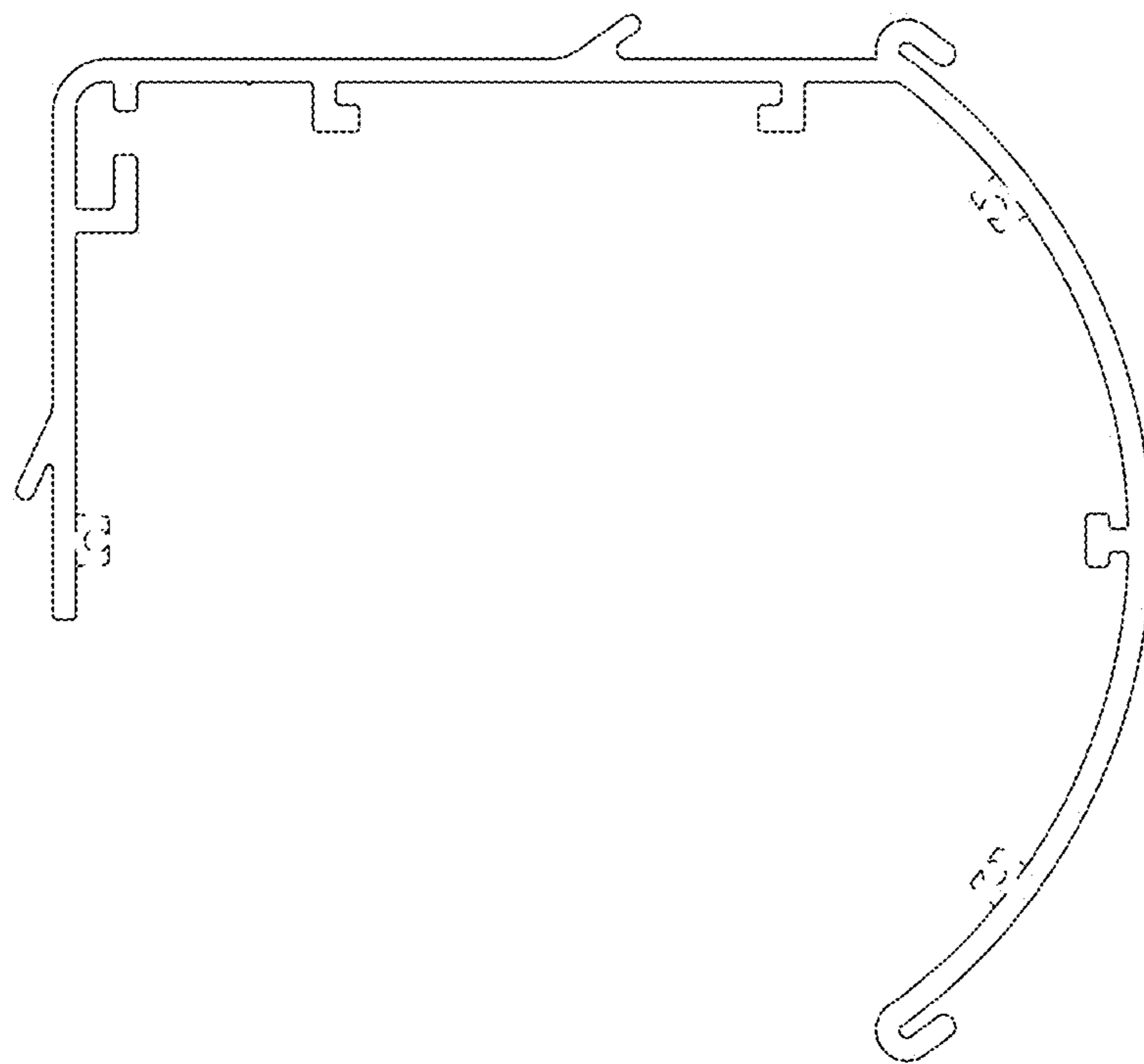


FIG.4

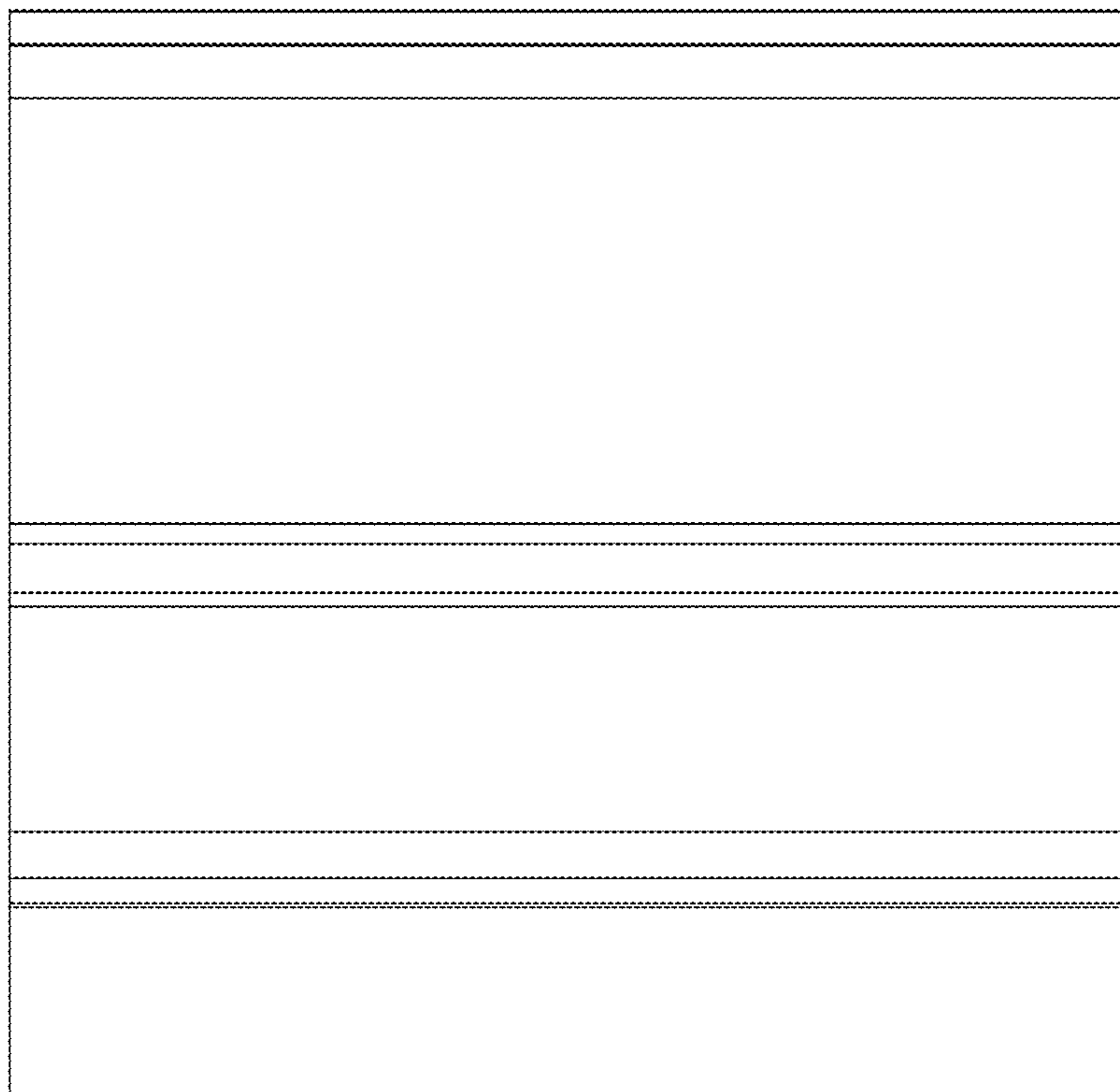


FIG. 5

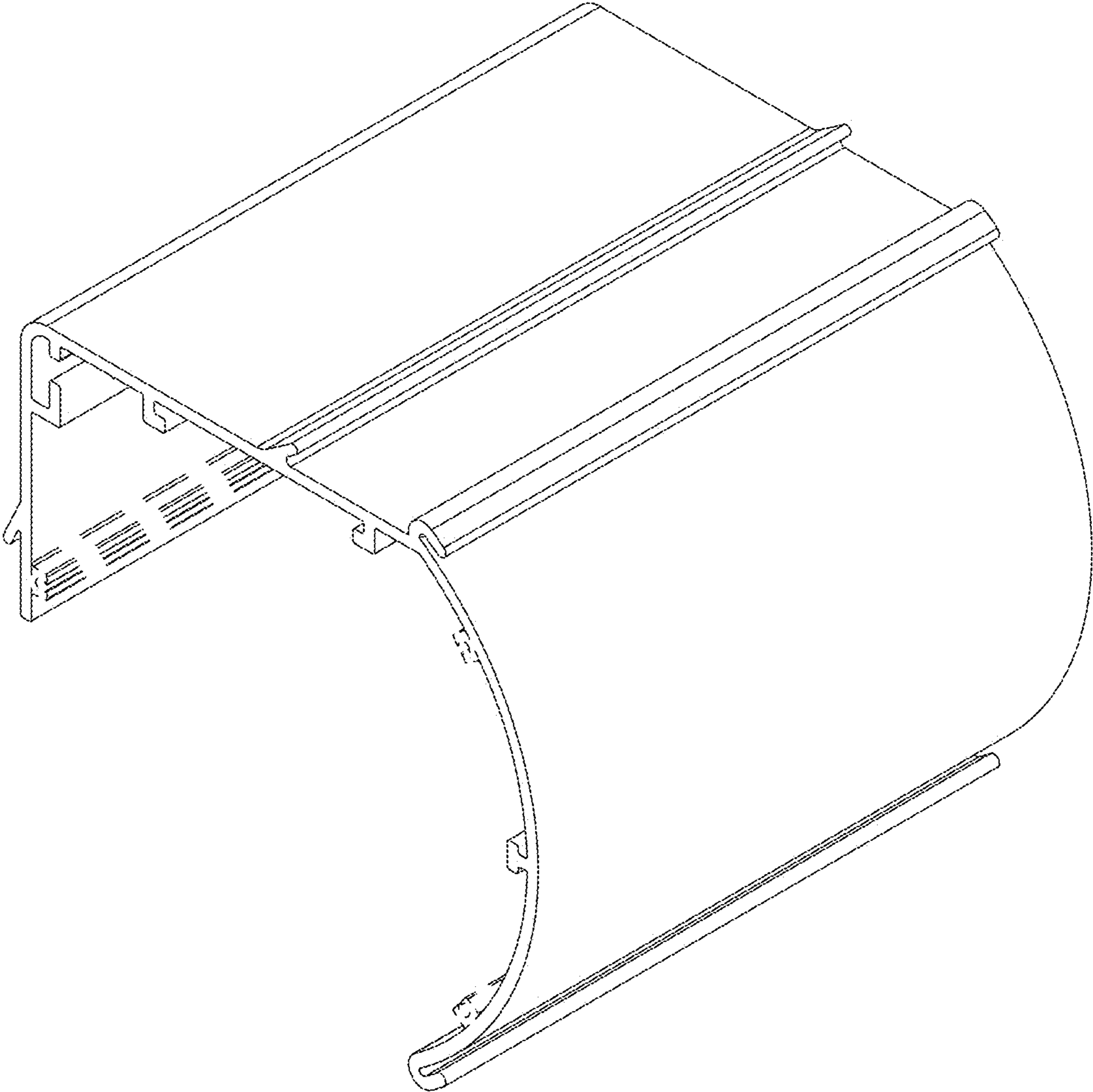


FIG.6

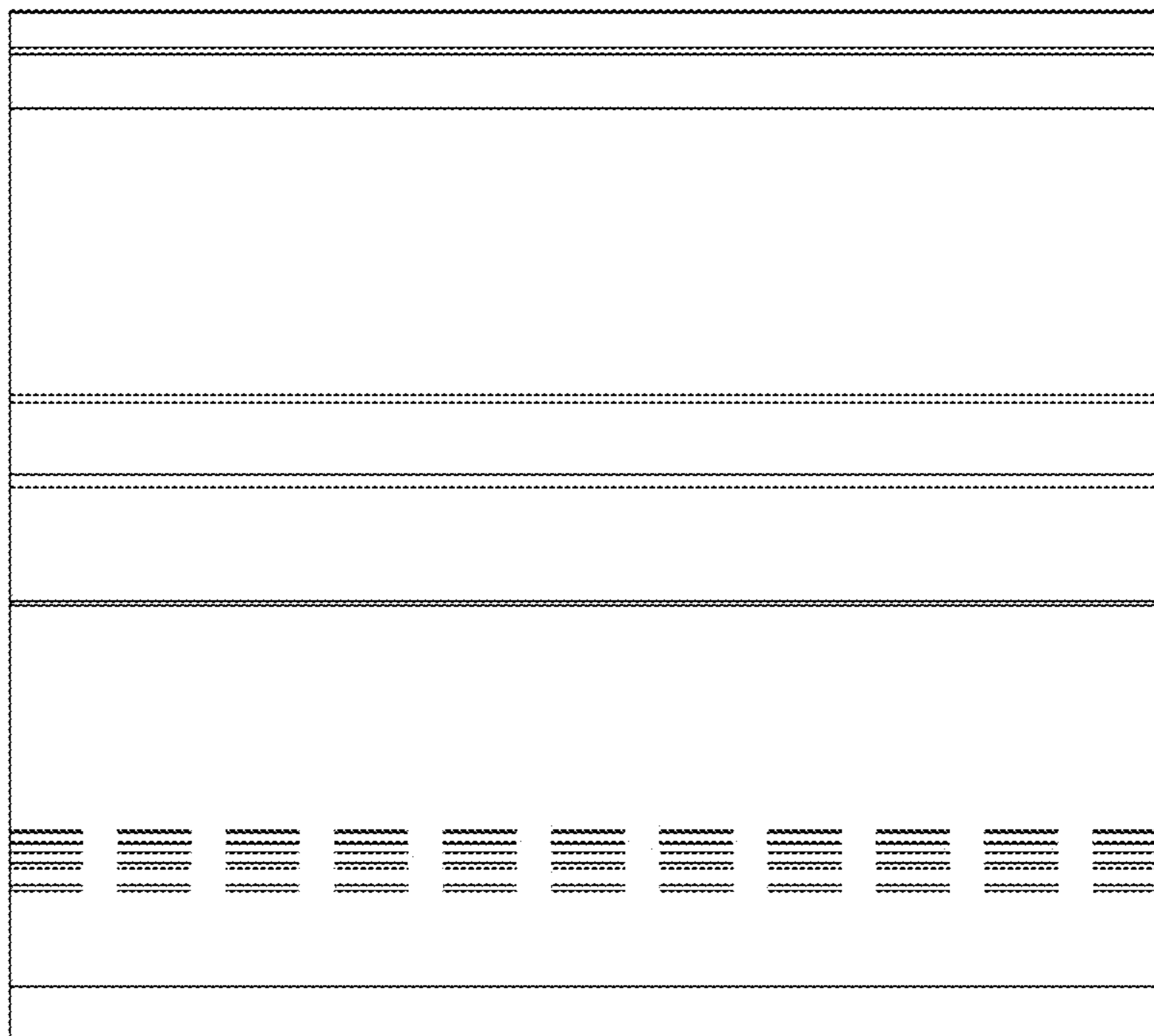


FIG. 7

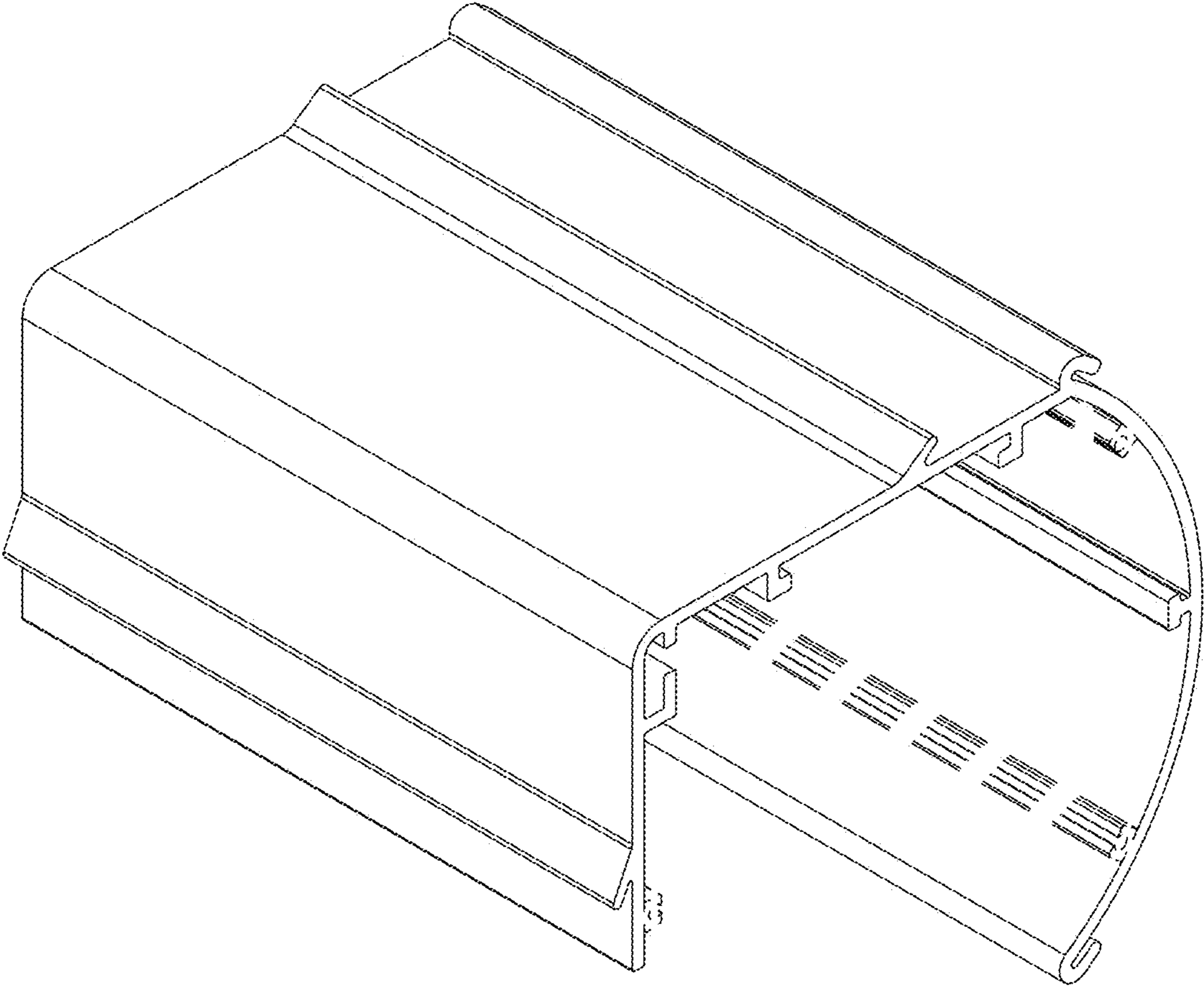


FIG.8

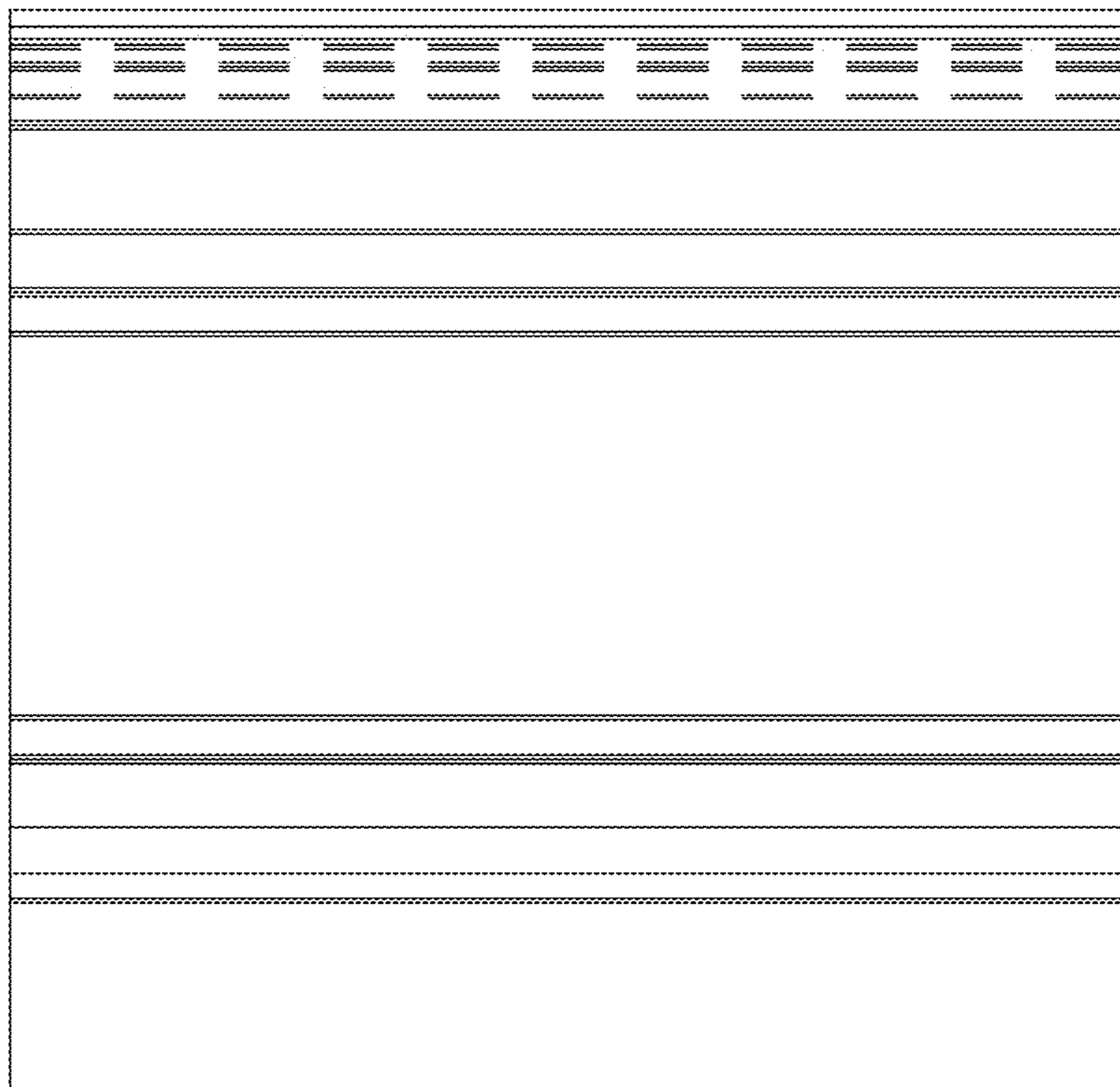


FIG. 9

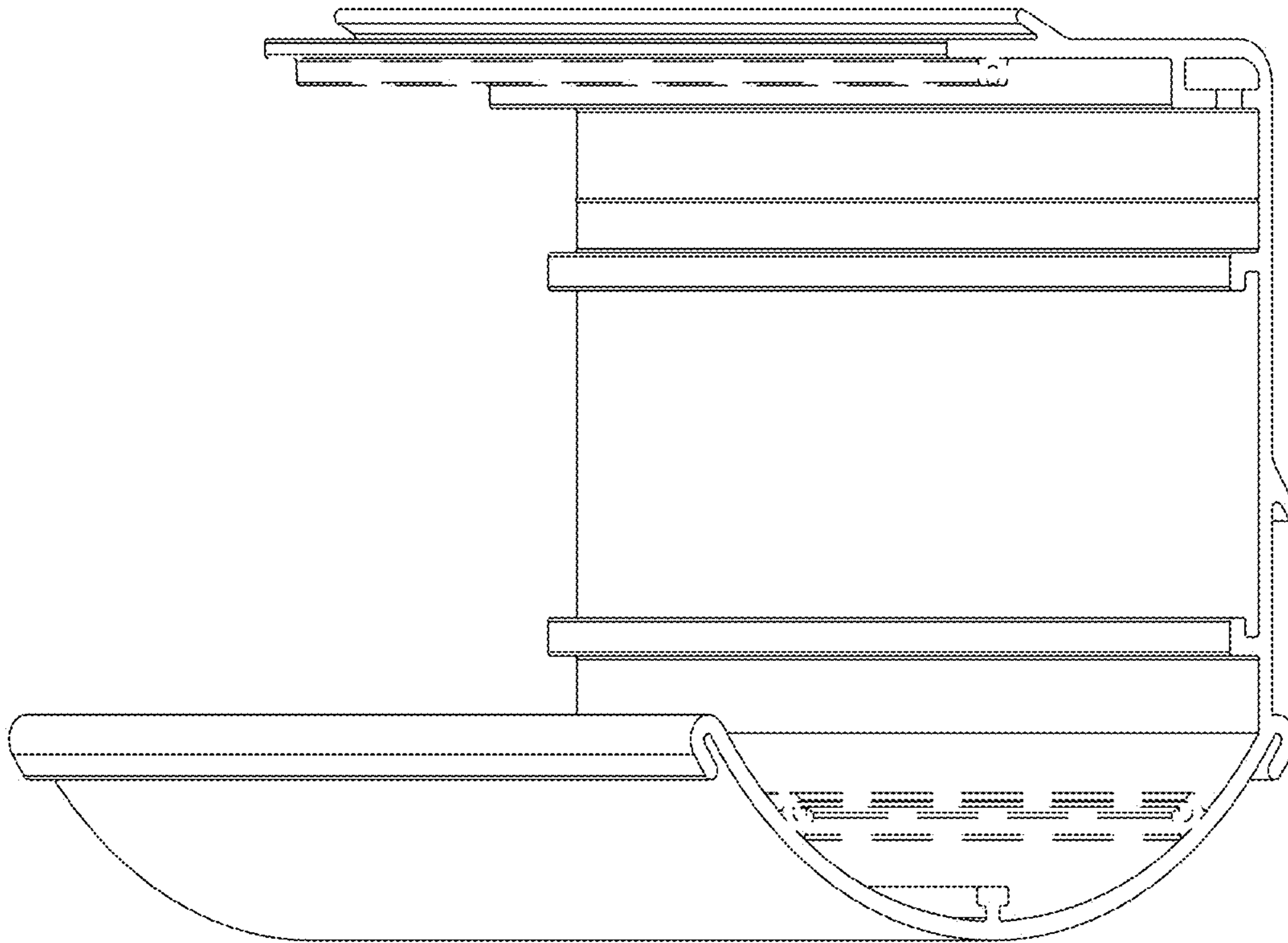


FIG.10