



US00D885079S

(12) **United States Design Patent** (10) **Patent No.:** **US D885,079 S**  
**Sinclair** (45) **Date of Patent:** **\*\* May 26, 2020**

(54) **PRODUCT DISPENSER WITH ANIMATED LED ILLUMINATION**  
(71) Applicant: **GPCP IP Holdings LLC**, Atlanta, GA (US)  
(72) Inventor: **Aaron Lee Sinclair**, Tyrone, GA (US)  
(73) Assignee: **GPCP IP HOLDINGS LLC**, Atlanta, GA (US)  
(\*\*) Term: **15 Years**  
(21) Appl. No.: **29/592,818**  
(22) Filed: **Feb. 2, 2017**  
(51) **LOC (12) Cl.** ..... **06-06**  
(52) **U.S. Cl.**  
USPC ..... **D6/518**  
(58) **Field of Classification Search**  
USPC ..... D14/485-495; D6/515-523;  
D7/305-311, 313, 397  
(Continued)

(56) **References Cited**  
**U.S. PATENT DOCUMENTS**  
D314,829 S 2/1991 Brock  
D343,086 S 1/1994 Wood  
(Continued)

**OTHER PUBLICATIONS**  
Moore, E., UNILAD; "The Real Story Behind Xbox 360's Red Ring of Death" retrieved from <<http://www.unilad.co.uk/gaming/the-real-story-behind-xbox-360s-red-ring-of-death/>>.  
(Continued)

*Primary Examiner* — Melanie H Tung  
*Assistant Examiner* — Bao-Yen T Nguyen  
(74) *Attorney, Agent, or Firm* — Nelson Mullins Riley & Scarborough LLP

(57) **CLAIM**  
The ornamental design for a product dispenser with animated LED illumination, as shown and described.

**DESCRIPTION**  
The file of this patent contains at least one drawing executed in color. Copies of this patent with color drawing(s) will be provided by the Office upon request and payment of the necessary fee.  
FIG. 1 is a front view of a first LED illumination in an animated sequence for a first embodiment of the product dispenser with animated LED illumination;  
FIG. 2 is a front view of a second LED illumination thereof;  
FIG. 3 is a front view of a third LED illumination thereof.  
FIG. 4 is another front view of the first LED illumination of the first embodiment;  
FIG. 5 is another front view of the second LED illumination thereof;  
FIG. 6 is another front view of the third LED illumination thereof;  
FIG. 7 is a front view of a first LED illumination in an animated sequence for a second embodiment of the product dispenser with animated LED illumination;  
FIG. 8 is a front view of a second LED illumination thereof.  
FIG. 9 is a front view of a third LED illumination thereof;  
FIG. 10 is another front view of the first LED illumination of the second embodiment;  
FIG. 11 is another front view of the second LED illumination thereof;  
FIG. 12 is another front view of the third LED illumination thereof;  
FIG. 13 is a front view of a first LED illumination in an animated sequence for a third embodiment of the product dispenser with animated LED illumination;  
FIG. 14 is a front view of a second LED illumination thereof;  
FIG. 15 is a front view of a a third LED illumination thereof;  
FIG. 16 is another front view of the first LED illumination of the third embodiment;  
FIG. 17 is another front view of the second LED illumination thereof;

(Continued)

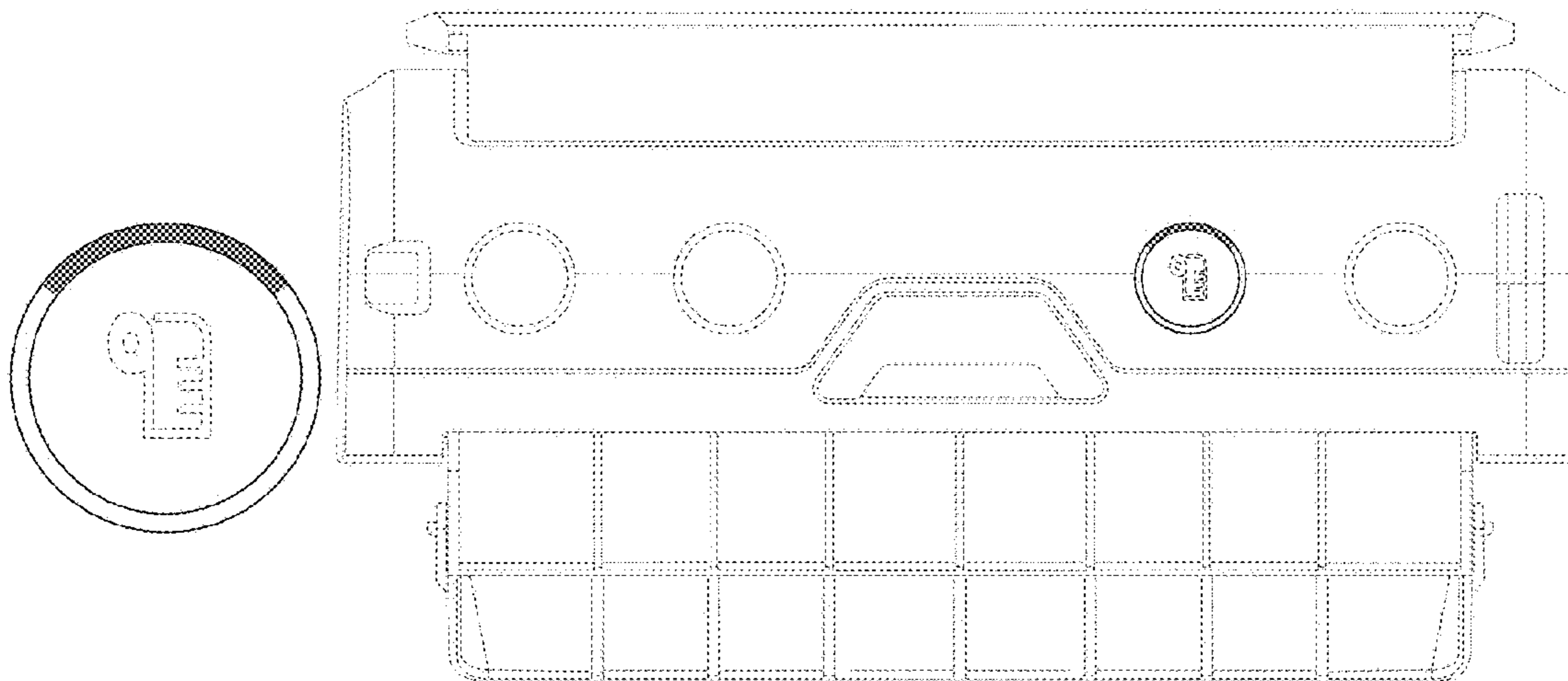


FIG. 18 is another front view of the third LED illumination thereof;  
 FIG. 19 is a front view of a first LED illumination in an animated sequence for a fourth embodiment of the product dispenser with animated LED illumination;  
 FIG. 20 is a front view of a second LED illumination thereof;  
 FIG. 21 is a front view of a third LED illumination thereof;  
 FIG. 22 is another front view of the first LED illumination of the fourth embodiment;  
 FIG. 23 is another front view of the second LED illumination thereof;  
 FIG. 24 is another front view of the third LED illumination thereof;  
 FIG. 25 is a front view of a first LED illumination in an animated sequence for a fifth embodiment of the product dispenser with animated LED illumination;  
 FIG. 26 is a front view of a second LED illumination thereof;  
 FIG. 27 is a front view of a third LED illumination thereof;  
 FIG. 28 is another front view of the first LED illumination of the fifth embodiment;  
 FIG. 29 is another front view of the second LED illumination thereof; and,  
 FIG. 30 is another front view of third LED illumination thereof shown in FIG. 25.

The broken lines are illustrative of the product dispenser and form no part of the claimed design. The claim is directed to a surface ornamentation on a flat surface.

The LED illumination animation is shown separately from the article of manufacture in FIGS. 1-3, 7-9, 13-15, 19-21, and 25-27 for ease of visibility.

**1 Claim, 30 Drawing Sheets  
 (24 of 30 Drawing Sheet(s) Filed in Color)**

**(58) Field of Classification Search**

CPC .... G06F 3/048; G06F 3/0481; G06F 3/04812;  
 G06F 3/04815; G06F 3/04817; G06F  
 3/0482; G06F 3/0483; G06F 3/0484;  
 G06F 3/04842; G06F 3/04845; G06F  
 3/04847; G06F 3/0485; G06F 3/04855;  
 G06F 3/0486; G06F 3/0487; G06F  
 3/0488; G06F 3/04883; G06F 3/04886;  
 H04N 1/00424; A47K 5/14; A47K  
 5/1217; A47K 5/12; B05B 11/3087;  
 B05B 7/0037

See application file for complete search history.

**(56) References Cited**

**U.S. PATENT DOCUMENTS**

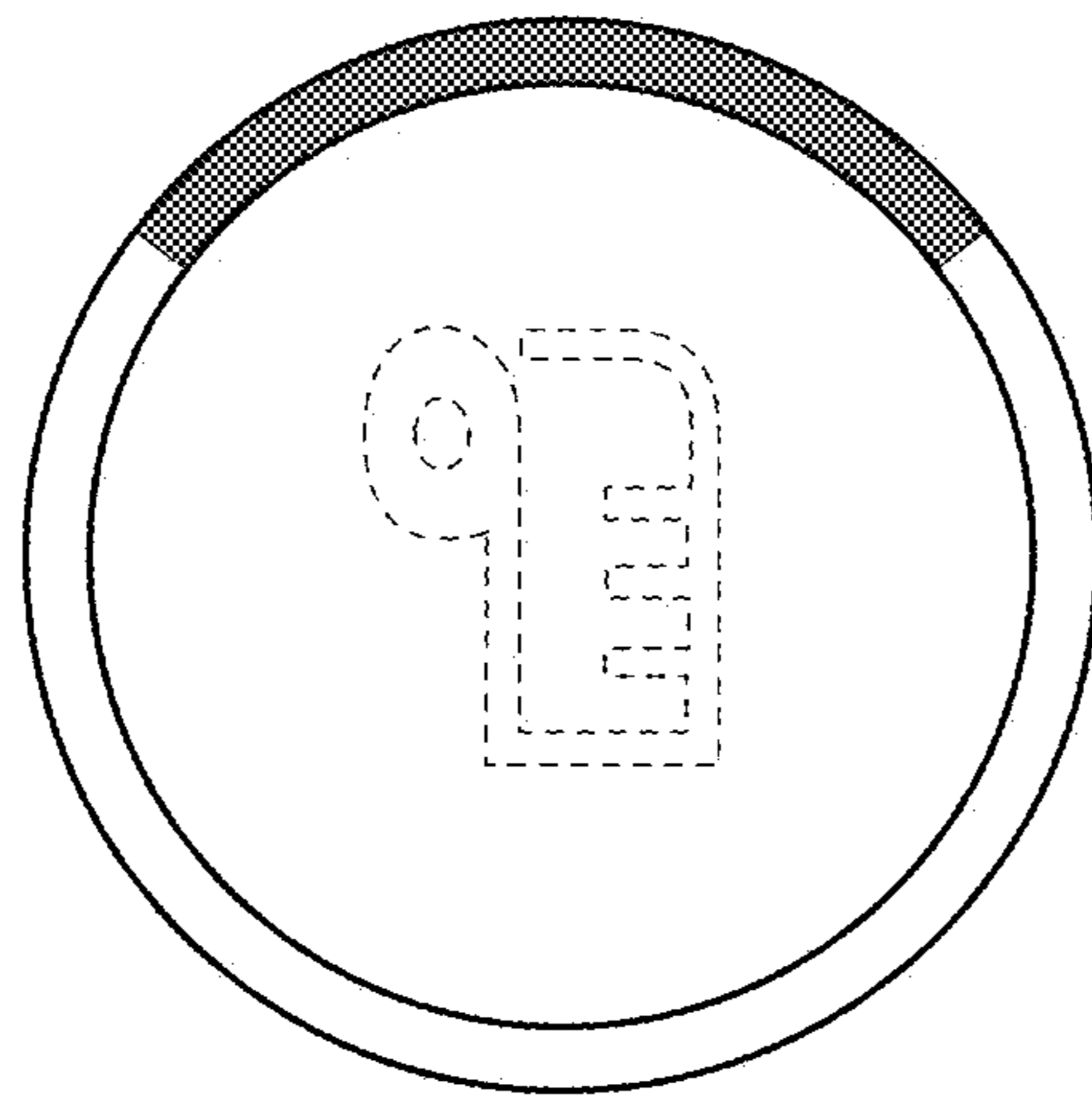
D490,935 S	6/2004	Zadro et al.	
D623,453 S	9/2010	Benedetti	
D640,077 S *	6/2011	Jensen	D6/517
D655,962 S *	3/2012	Cittadino	D6/545
D658,604 S	5/2012	Egawa et al.	
D674,222 S *	1/2013	Green	D6/518
D674,633 S *	1/2013	Green	D6/518
D681,649 S *	5/2013	Fletcher	D14/485
D690,720 S *	10/2013	Waldman	D14/485
D706,283 S *	6/2014	Pedraza Padilla	D14/485
D716,325 S	10/2014	Brudnicki	
D716,327 S	10/2014	Schoger et al.	
D721,084 S *	1/2015	Kimball	D14/485
D746,295 S *	12/2015	Arai	D14/485

D746,828 S *	1/2016	Arai	D14/485
D748,648 S	2/2016	Kim et al.	
D750,101 S *	2/2016	Bates	D14/485
D751,108 S	3/2016	Caldwell	
D754,446 S	4/2016	Yang et al.	
D754,686 S *	4/2016	Mandeville	D14/485
D755,201 S *	5/2016	Kim	D14/485
D760,729 S *	7/2016	Cole	D14/485
D760,761 S	7/2016	Willis	
D763,288 S	8/2016	Mistry et al.	
D764,491 S *	8/2016	Green	D14/485
D764,516 S	8/2016	Lamparelli	
D767,297 S	9/2016	Madsen et al.	
D773,202 S	12/2016	Madsen et al.	
D775,195 S	12/2016	Caldwell et al.	
D775,497 S	1/2017	Roche et al.	
D778,292 S *	2/2017	Mochizuki	D14/485
D780,303 S	2/2017	Kassouni	
D780,870 S	3/2017	Hamilton	
D781,065 S *	3/2017	Brownley	D6/515
D782,329 S *	3/2017	Sobel	D9/734
D784,360 S *	4/2017	Harder	D14/485
D784,361 S *	4/2017	Graham	D14/485
D787,526 S *	5/2017	Lee	D14/485
D787,527 S *	5/2017	Wilberding	D14/485
D787,536 S	5/2017	Pantelis	
D787,552 S	5/2017	Napper et al.	
D788,165 S	5/2017	Bunyard et al.	
D788,792 S *	6/2017	Alessandri	D14/485
D794,649 S *	8/2017	Nijjima	D14/485
D794,666 S	8/2017	Havaladar et al.	
D795,903 S *	8/2017	Chen	D14/486
D796,520 S *	9/2017	Klar	D14/485
D797,765 S *	9/2017	Su	D14/485
D798,311 S *	9/2017	Golden	F24F 11/30 D14/485
D798,316 S *	9/2017	Bradley	D14/485
D798,886 S *	10/2017	Prophete	D14/485
D799,235 S *	10/2017	Madsen	D6/518
D799,236 S *	10/2017	Madsen	D6/518
D799,498 S *	10/2017	Graham	D14/485
D800,144 S *	10/2017	Anderson	D14/485
D801,347 S *	10/2017	Zhu	D14/485
D801,349 S *	10/2017	Day	D14/485
D801,350 S *	10/2017	Rejkowski	D14/485
D801,986 S *	11/2017	Pirklbauer	D14/485
D801,992 S *	11/2017	Fischbach	D14/485
D802,008 S *	11/2017	Zhang	D14/487
D802,603 S *	11/2017	Bickel	D14/485
D803,230 S *	11/2017	Jaini	D14/485
D803,233 S *	11/2017	Wilberding	D14/485
D803,234 S *	11/2017	Day	D14/485
D803,247 S *	11/2017	Mistry	D14/486
D803,870 S *	11/2017	Landry	D14/488
D804,492 S *	12/2017	Graham	D14/485
D806,573 S *	1/2018	Sobel	D9/734
D807,076 S	1/2018	Kapiloff et al.	
D838,530 S *	1/2019	Gnadinger	D7/307
D838,540 S *	1/2019	Gnadinger	D7/397
2017/0042390 A1	2/2017	Rubenson et al.	

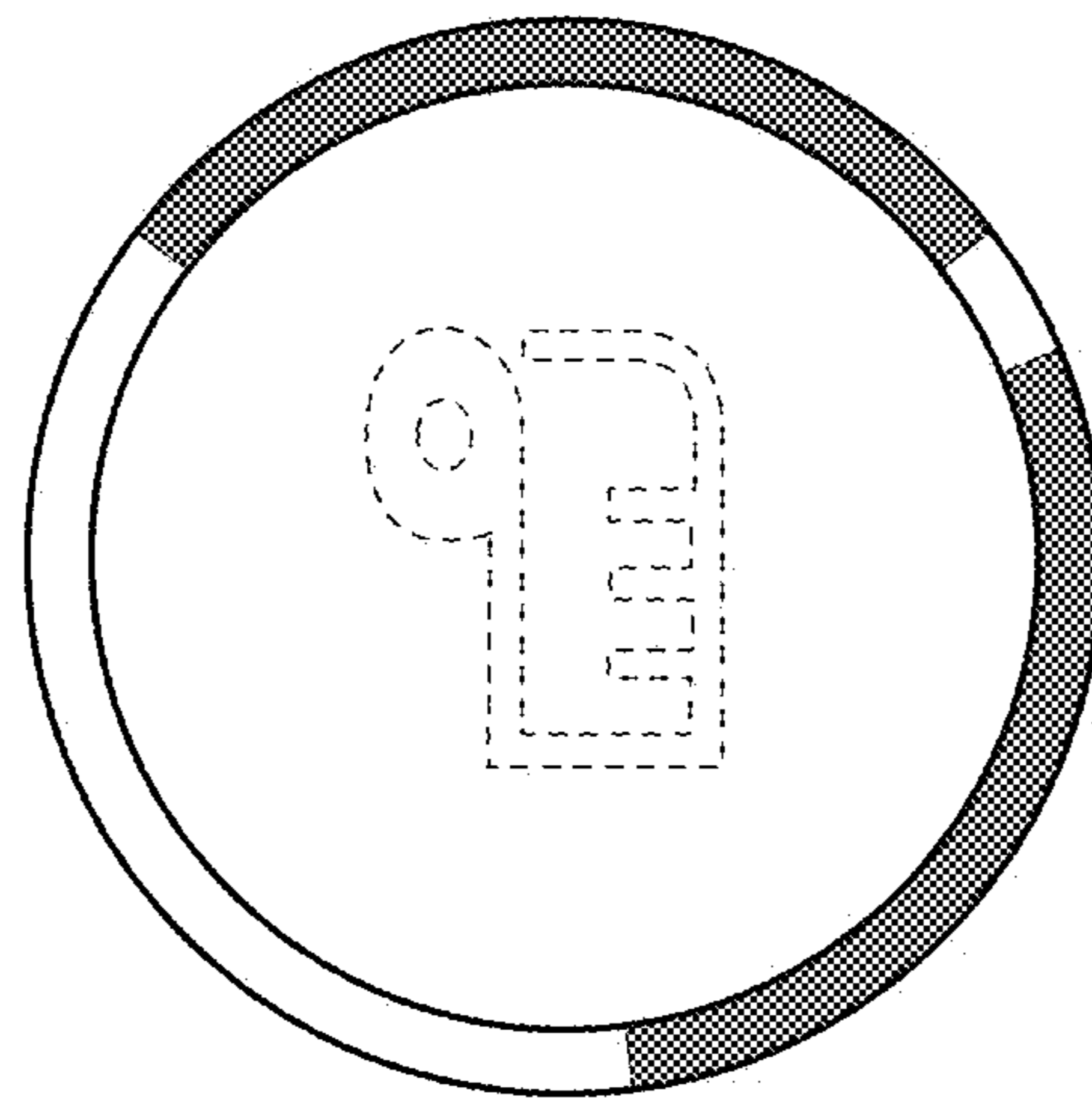
**OTHER PUBLICATIONS**

QuackMasterDan., "Xbox 360 Wireless Controller Ring of Light" retrieved from <<http://www.instructables.com/id/Xbox-360-Wireless-Controller-Ring-of-Light/>>.  
 Design U.S. Appl. No. 29/578,911, filed Sep. 26, 2016, Entitled "Dispenser".  
 Design U.S. Appl. No. 29/578,913, filed Sep. 26, 2016, Entitled "Dispenser".  
 Design U.S. Appl. No. 29/578,917, filed Sep. 26, 2016, Entitled "Dispenser".  
 Design U.S. Appl. No. 29/577,330, filed Sep. 12, 2016, Entitled "Dispenser".

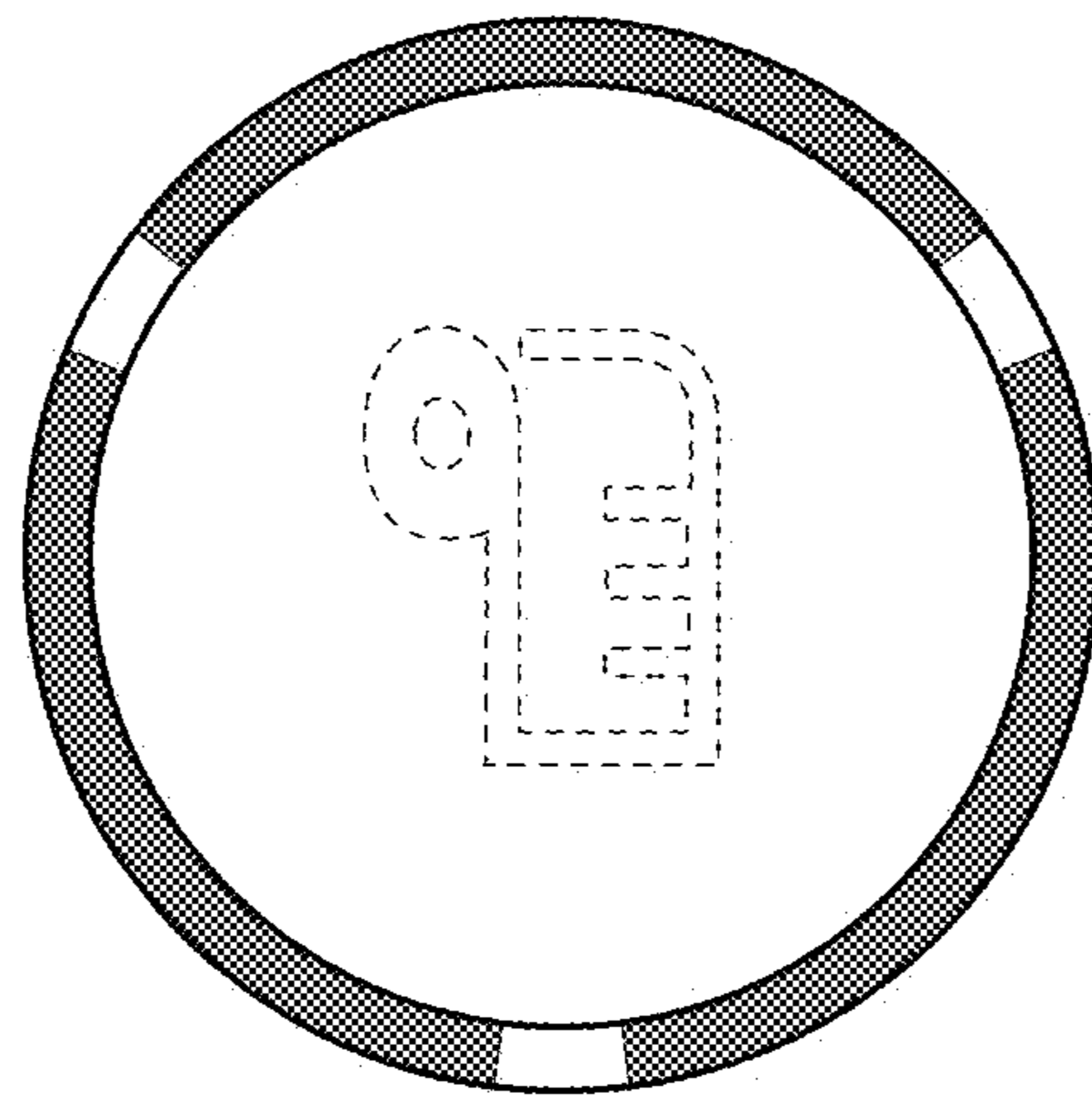
\* cited by examiner



**FIG. 1**



**FIG. 2**



**FIG. 3**

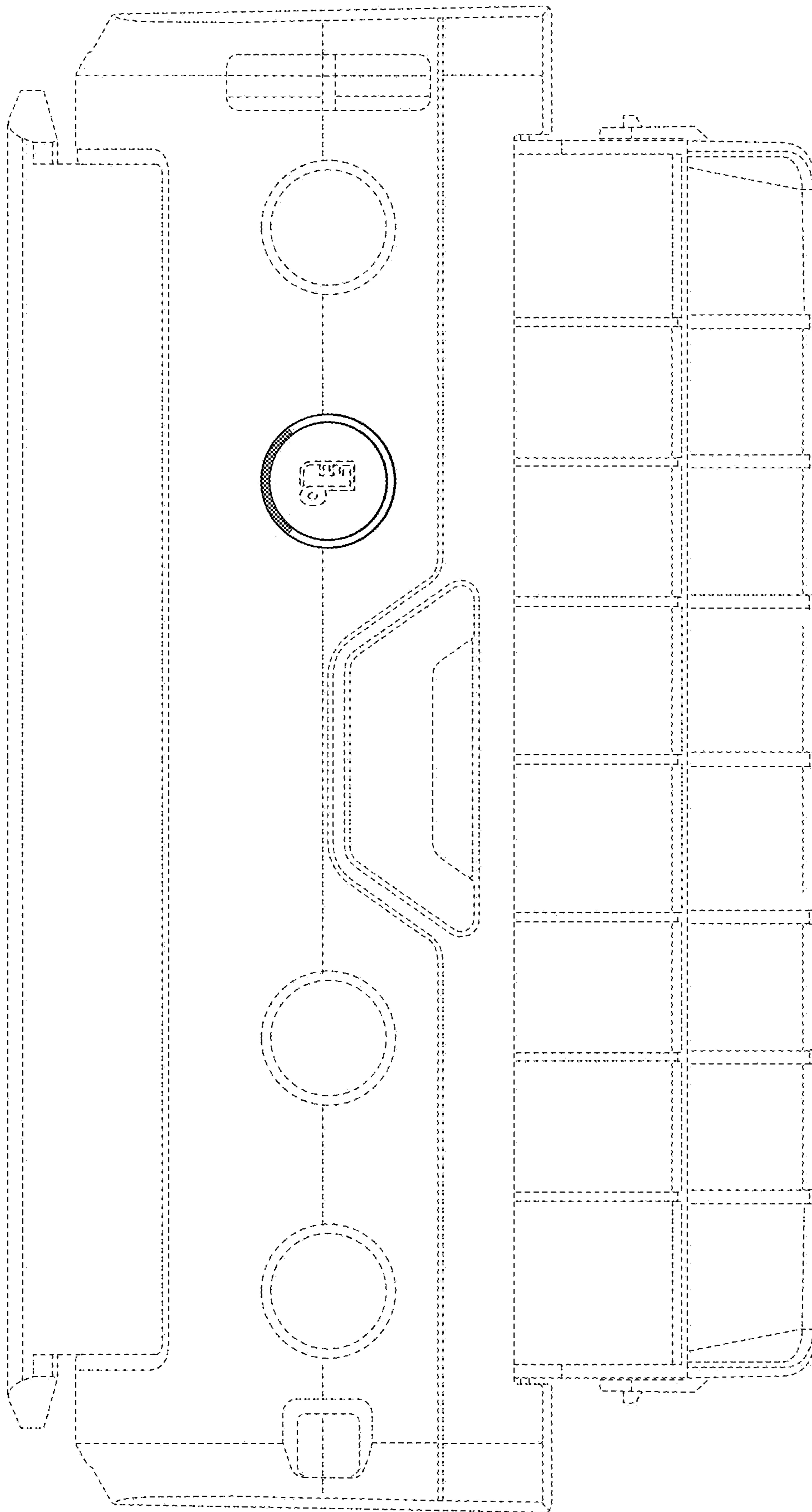


FIG. 4

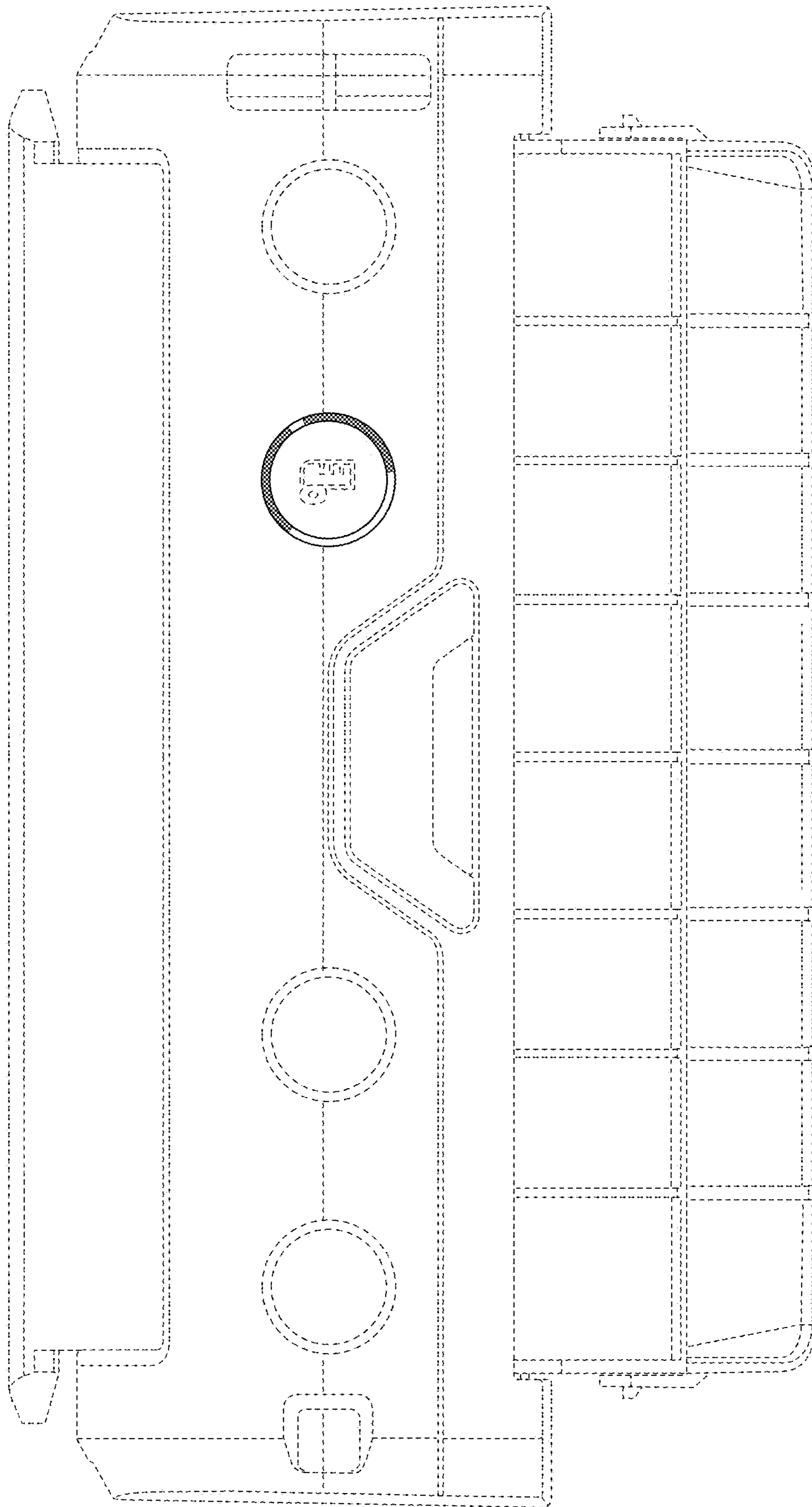


FIG. 5

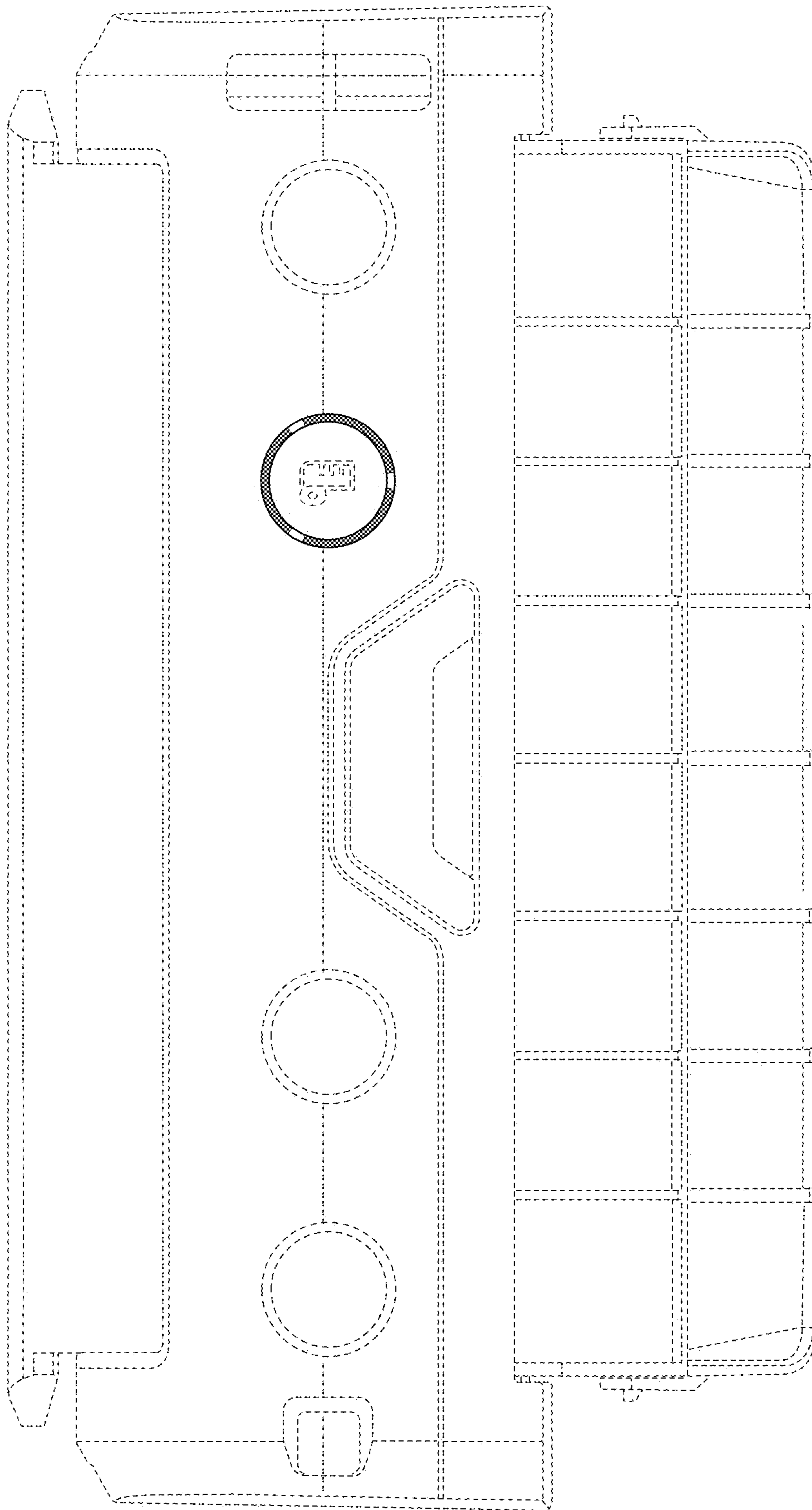
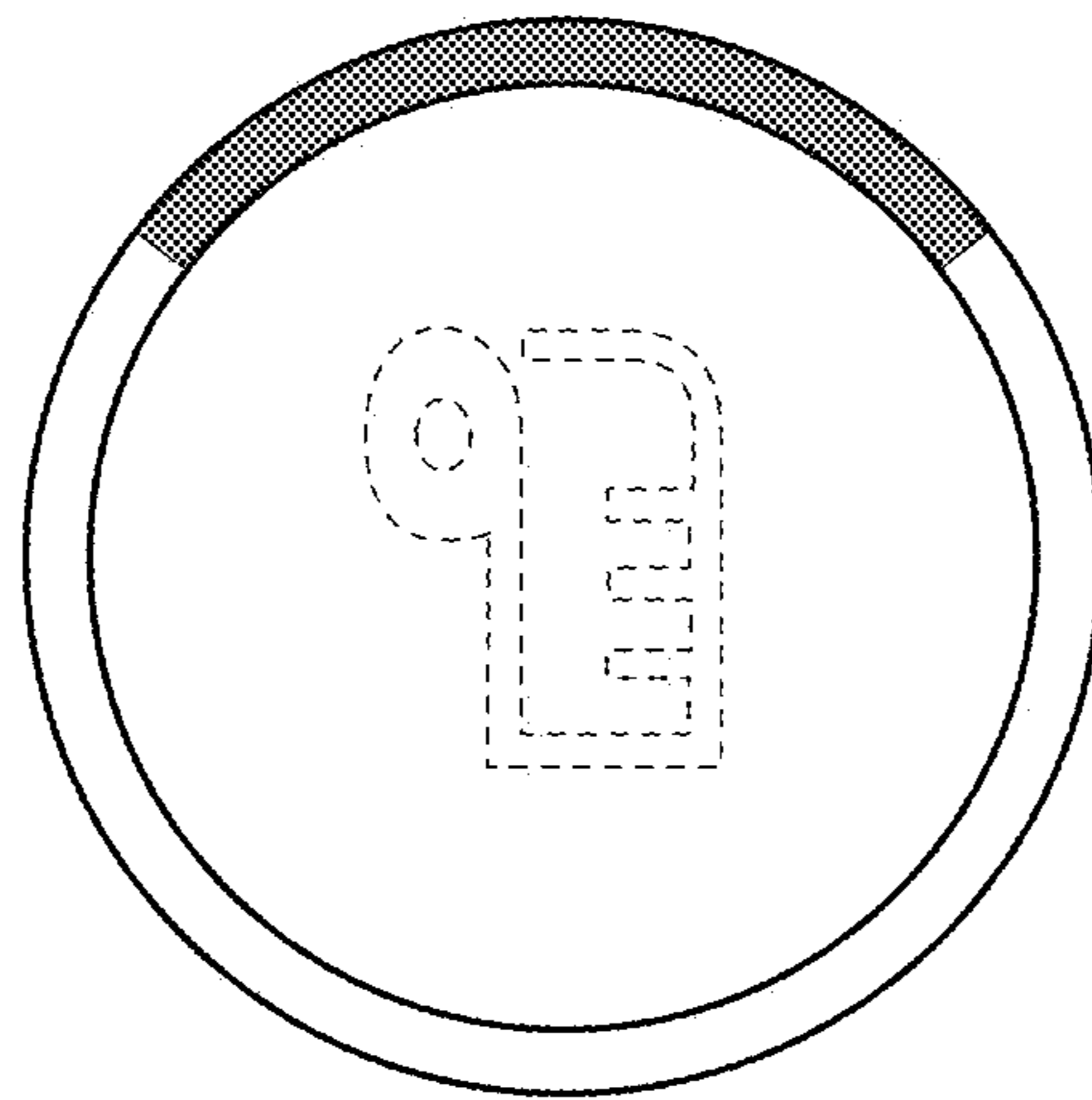
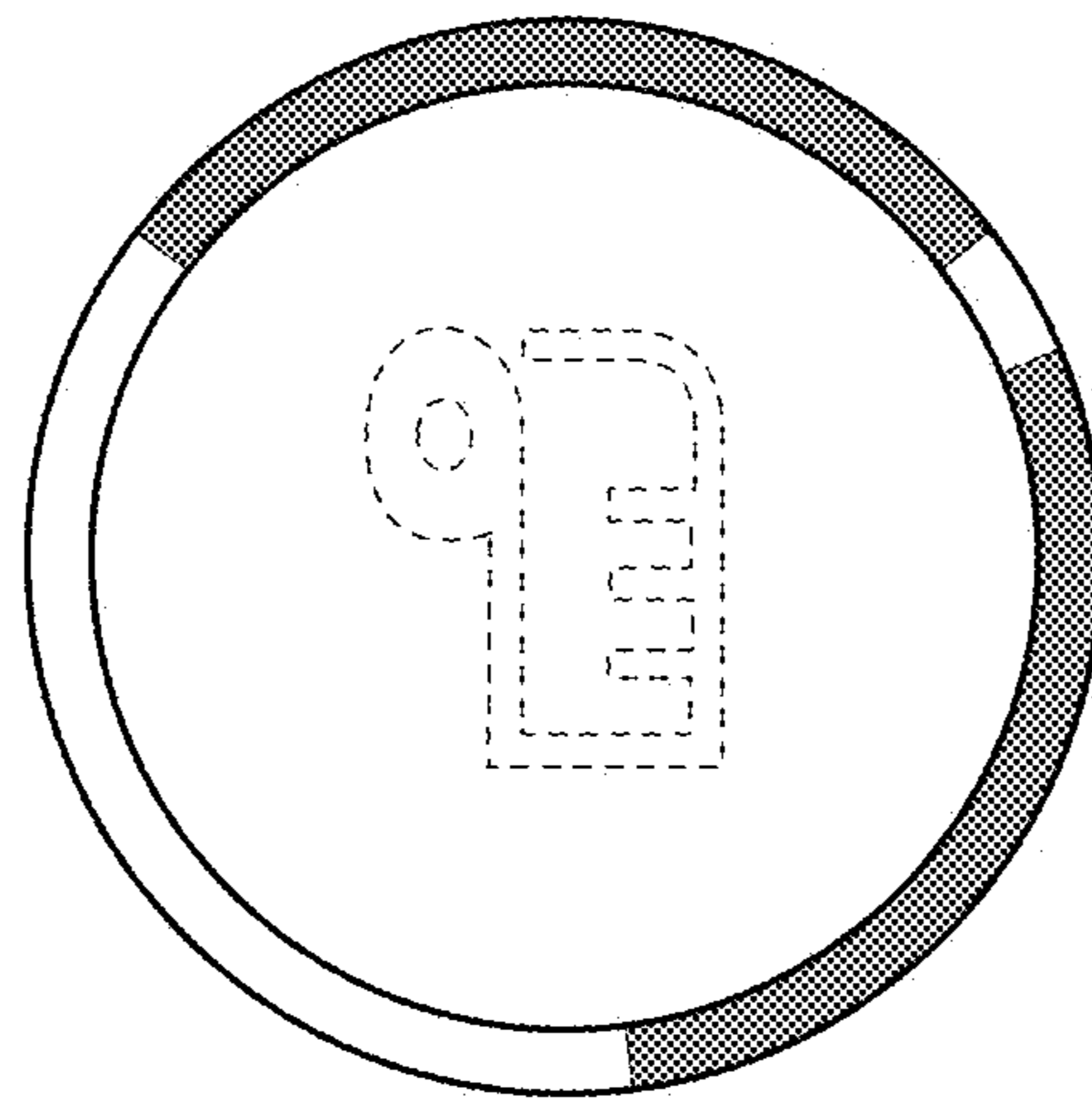


FIG. 6

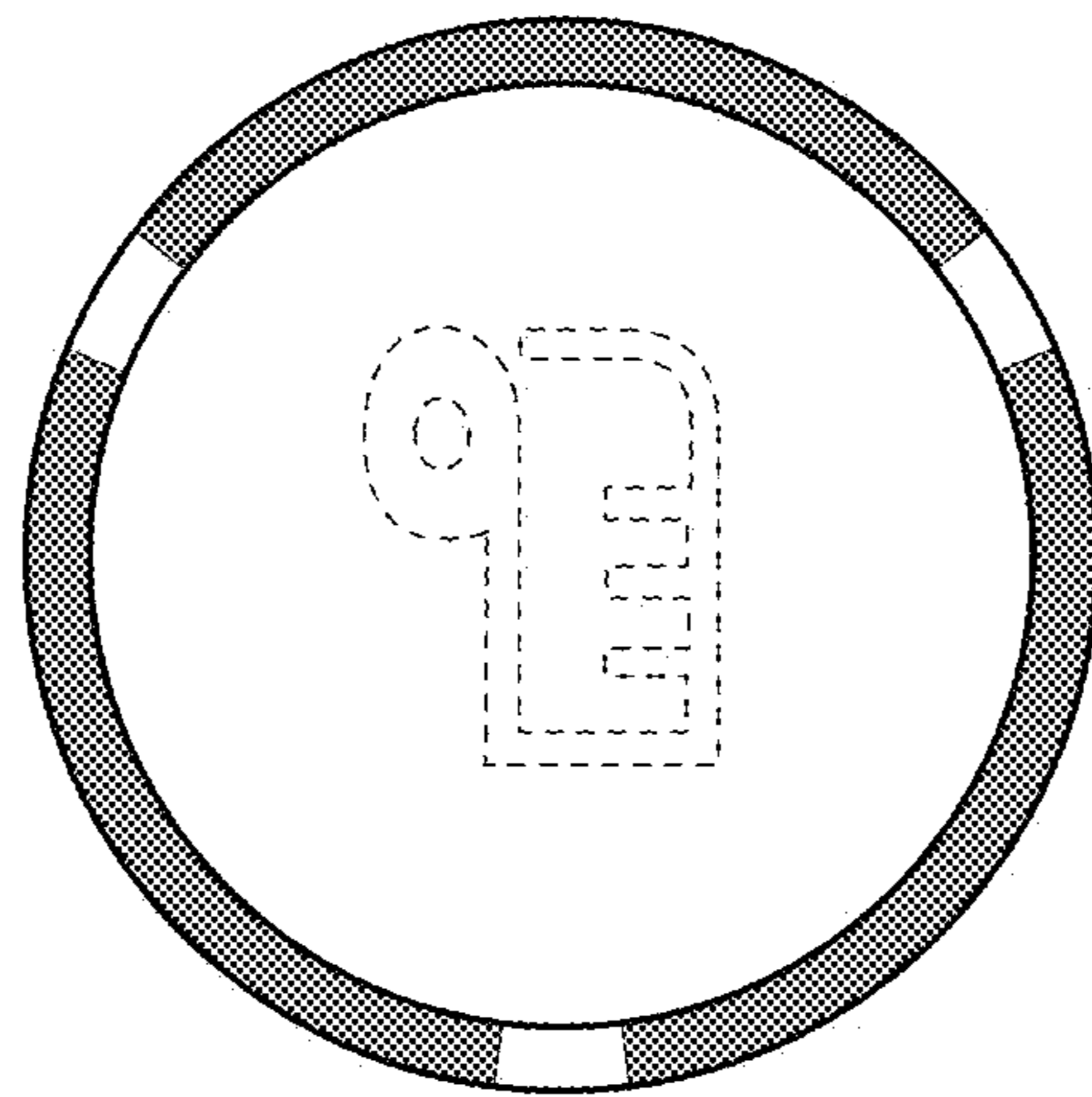




**FIG. 7**



**FIG. 8**



**FIG. 9**

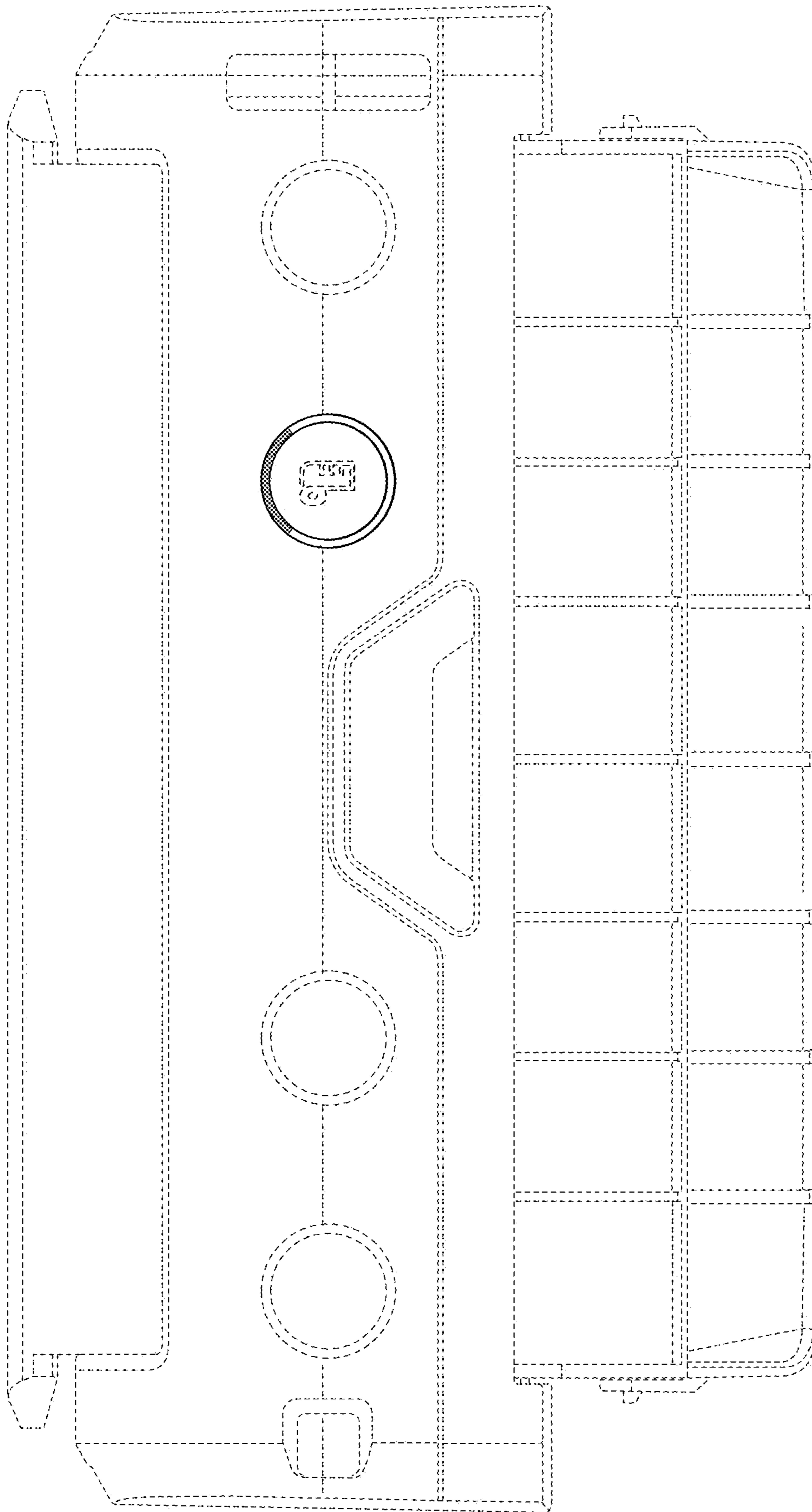


FIG. 10

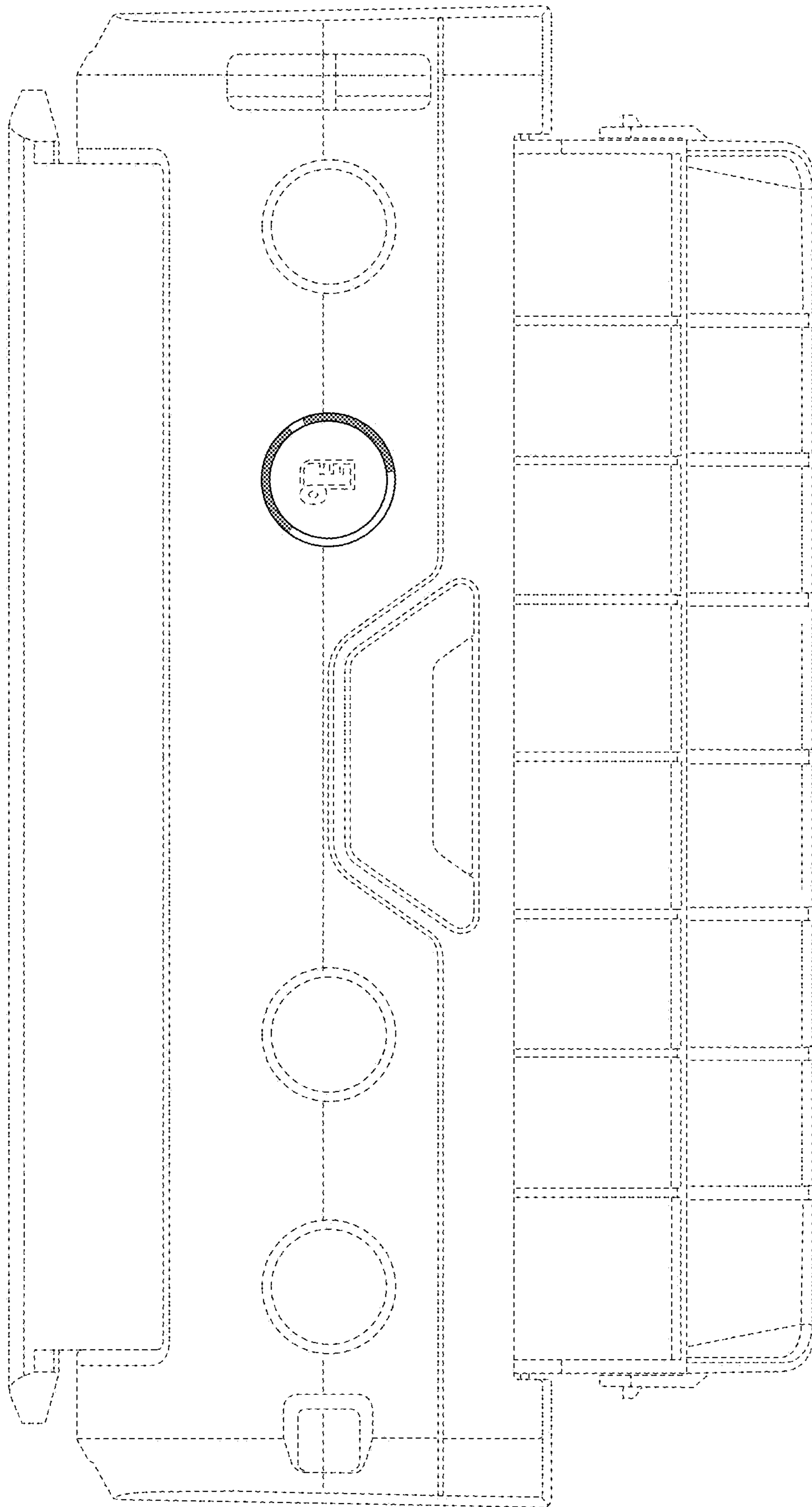


FIG. 17

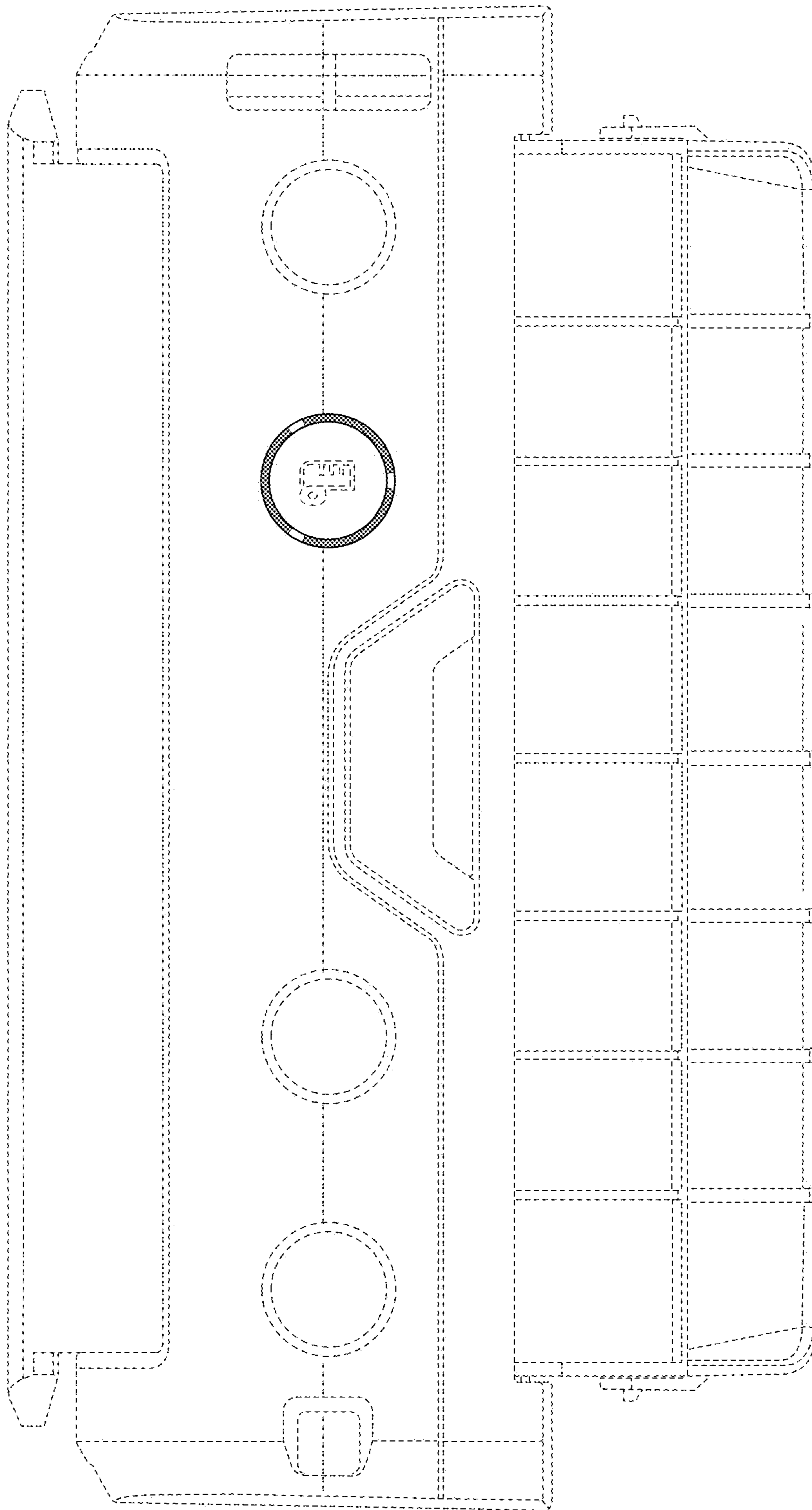
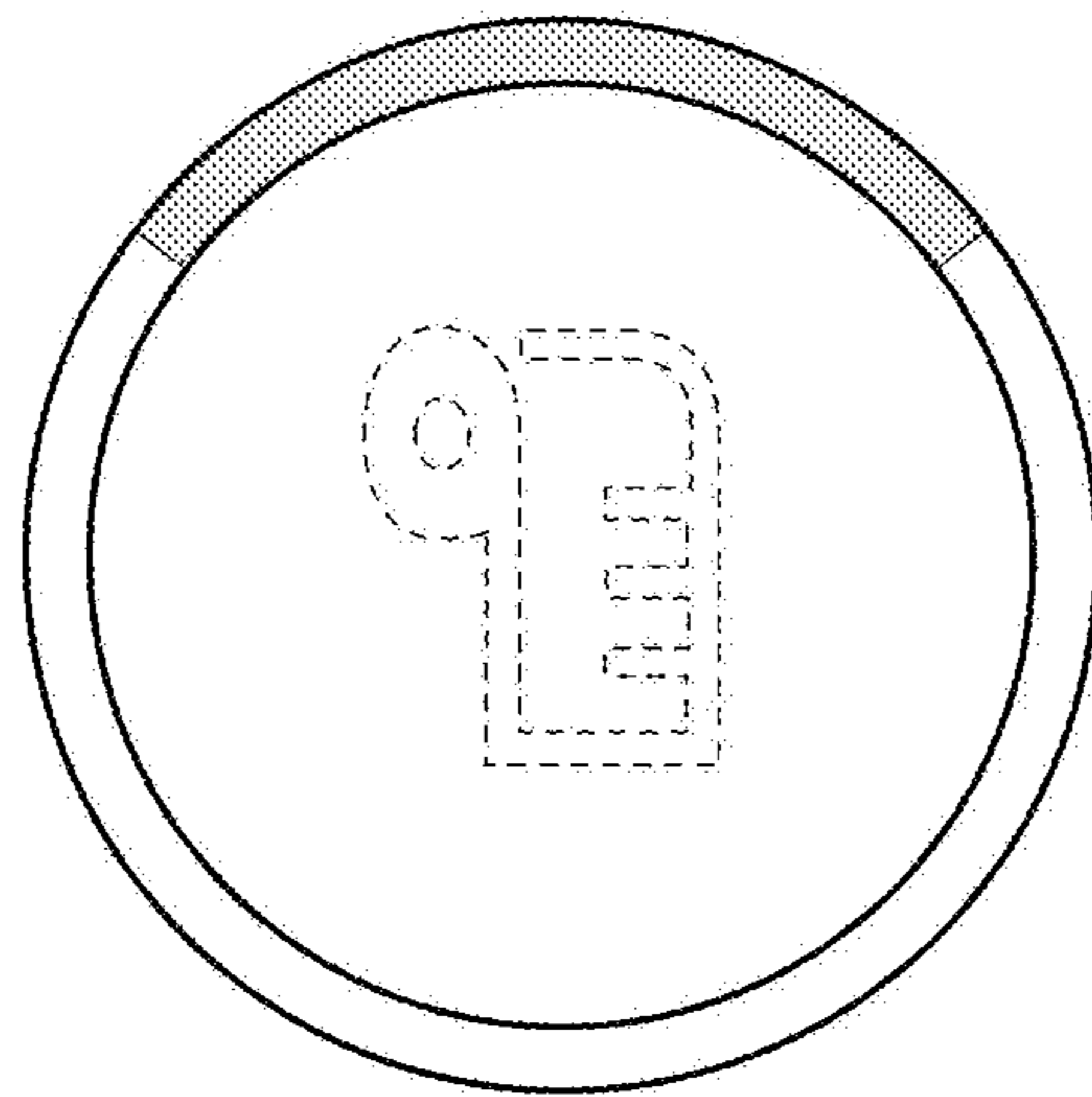
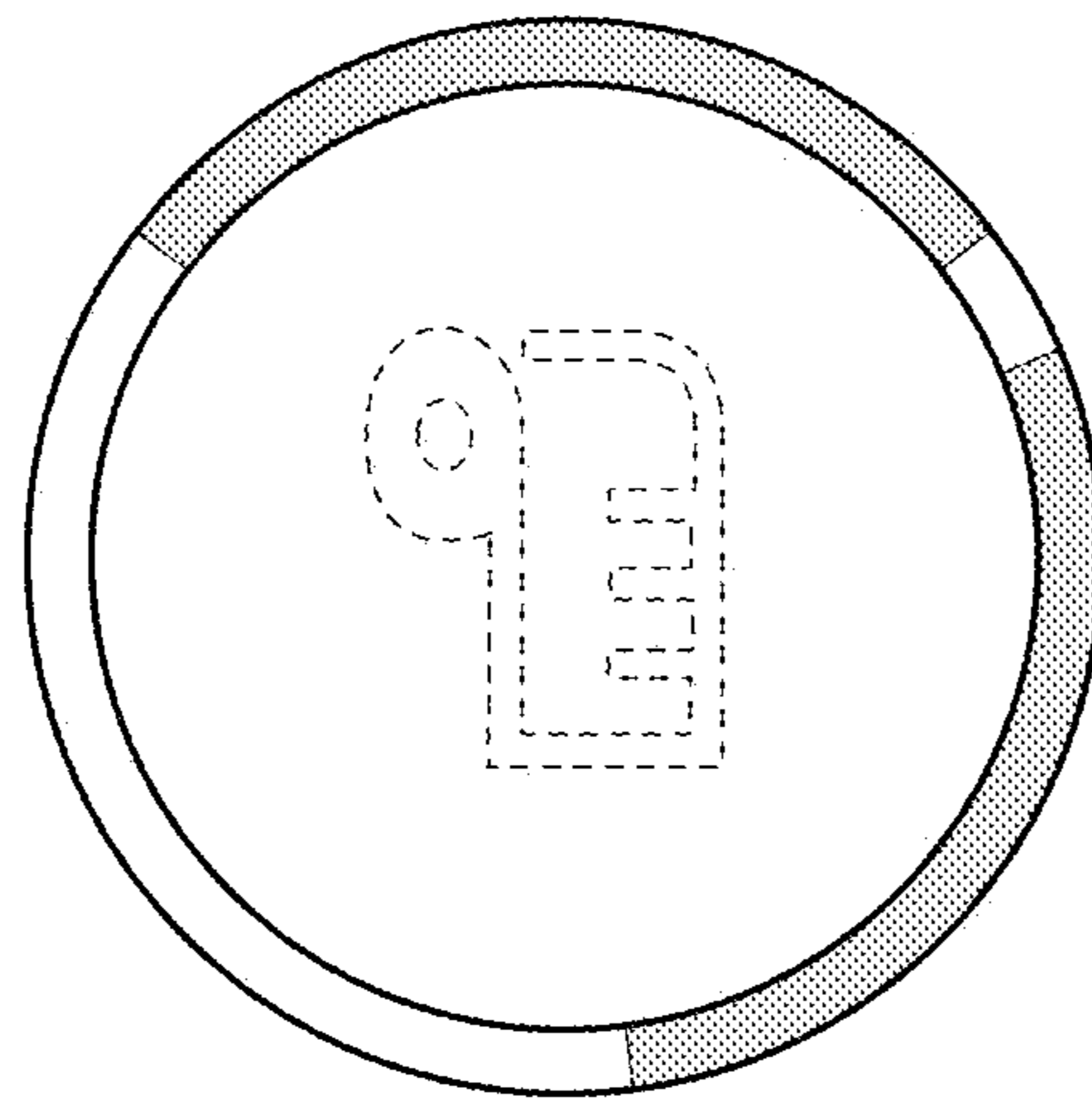


FIG. 12

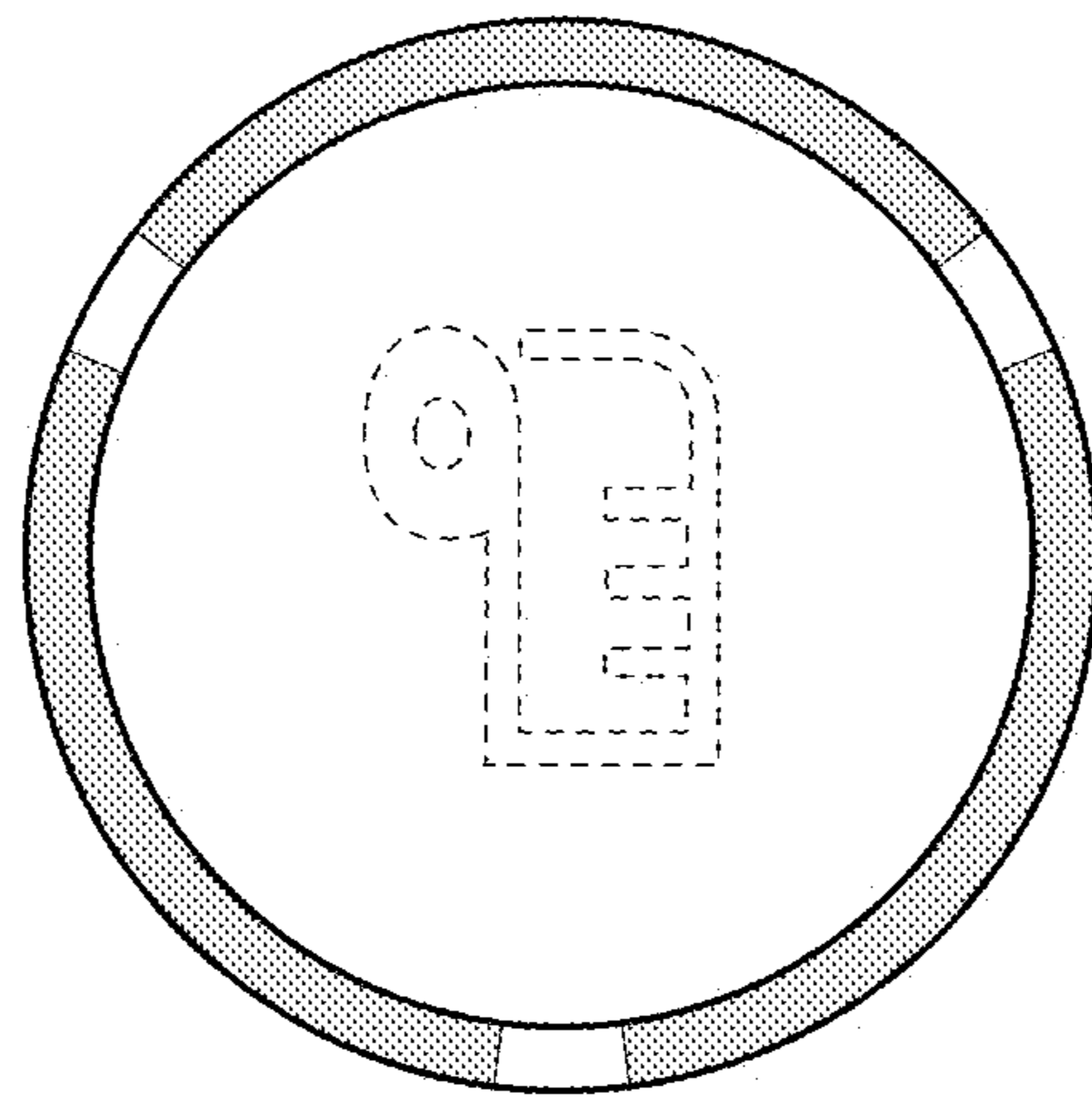


**FIG. 13**



**FIG. 14**





**FIG. 15**

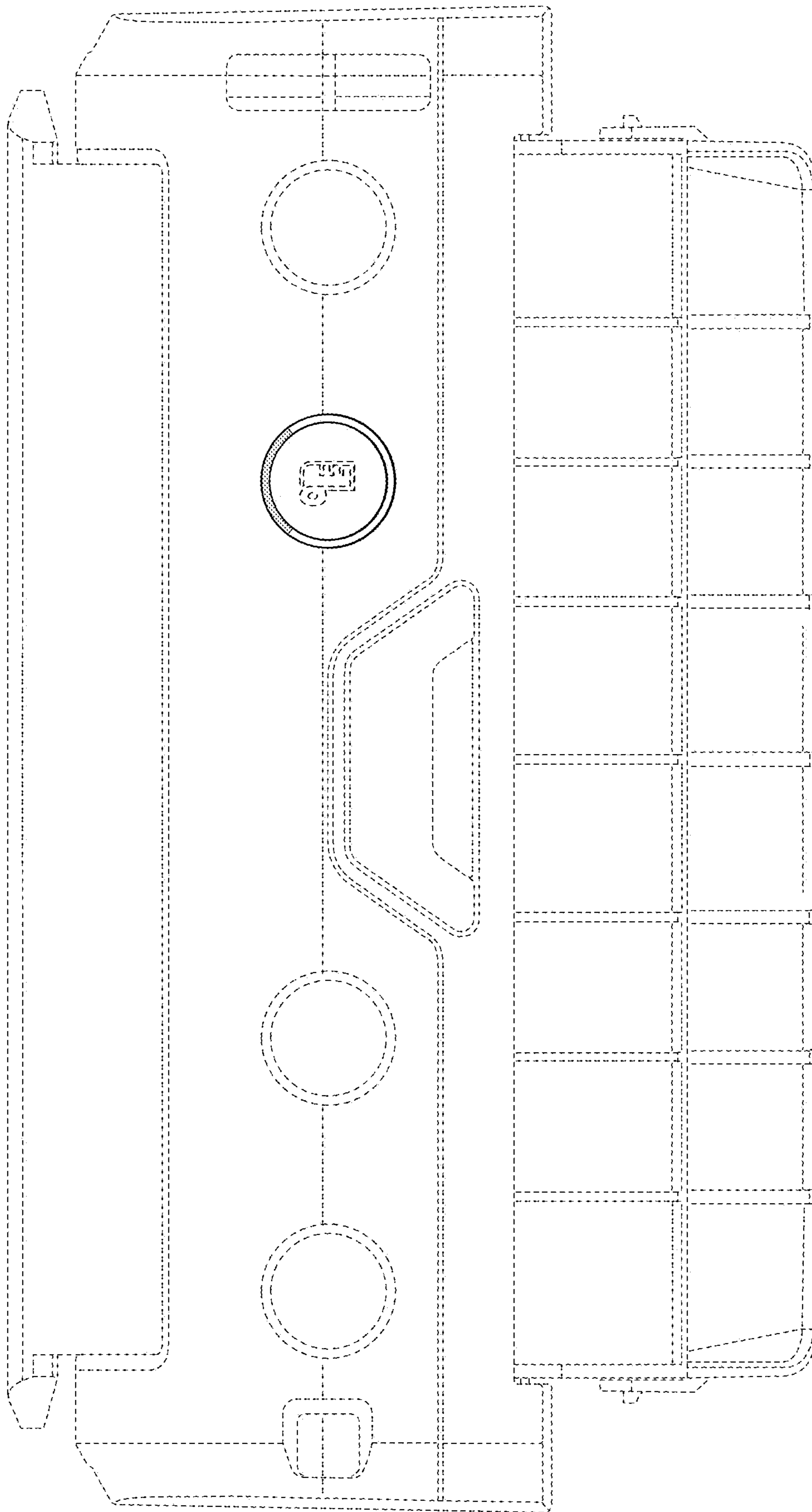


FIG. 16

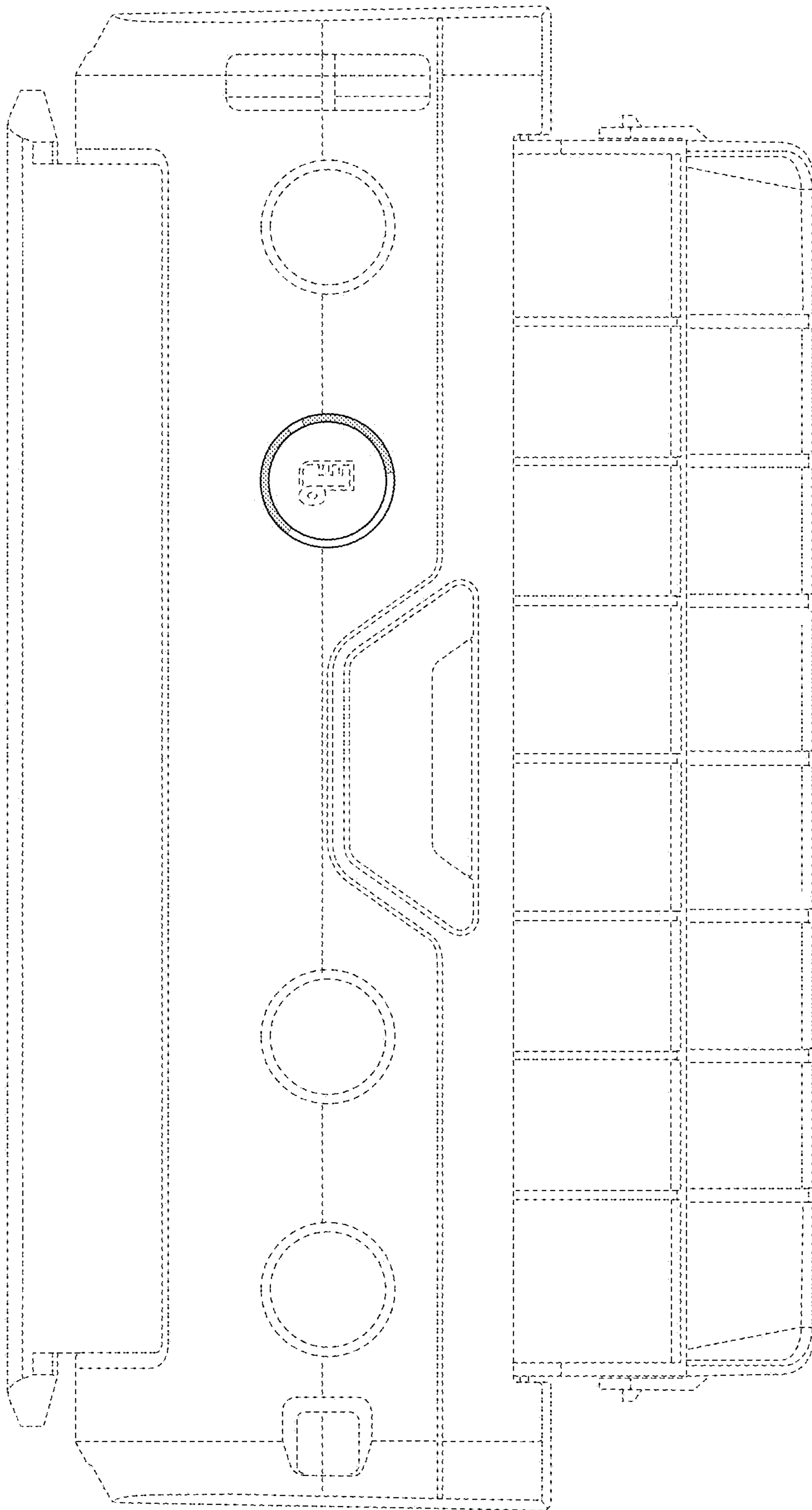


FIG. 17

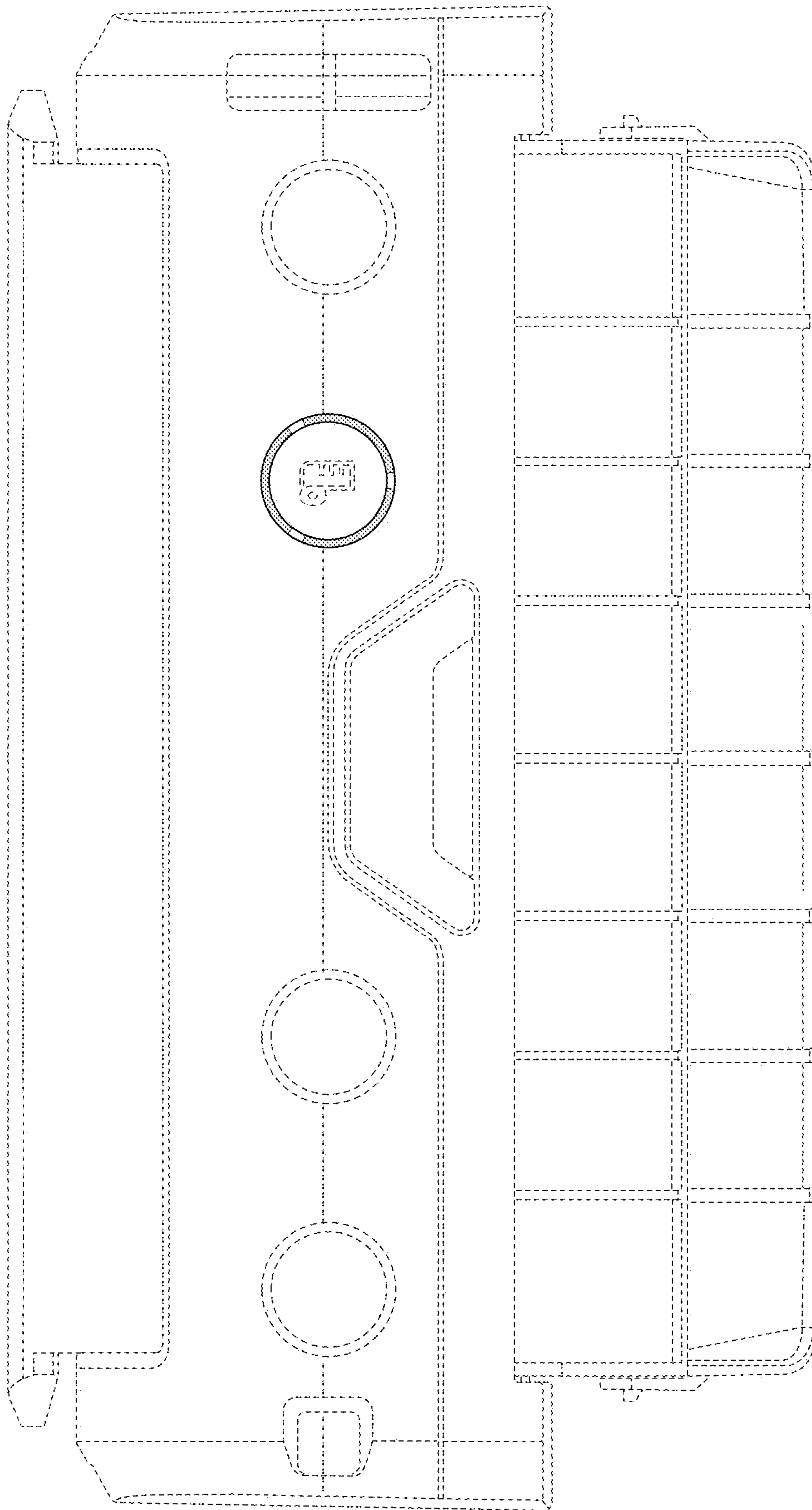
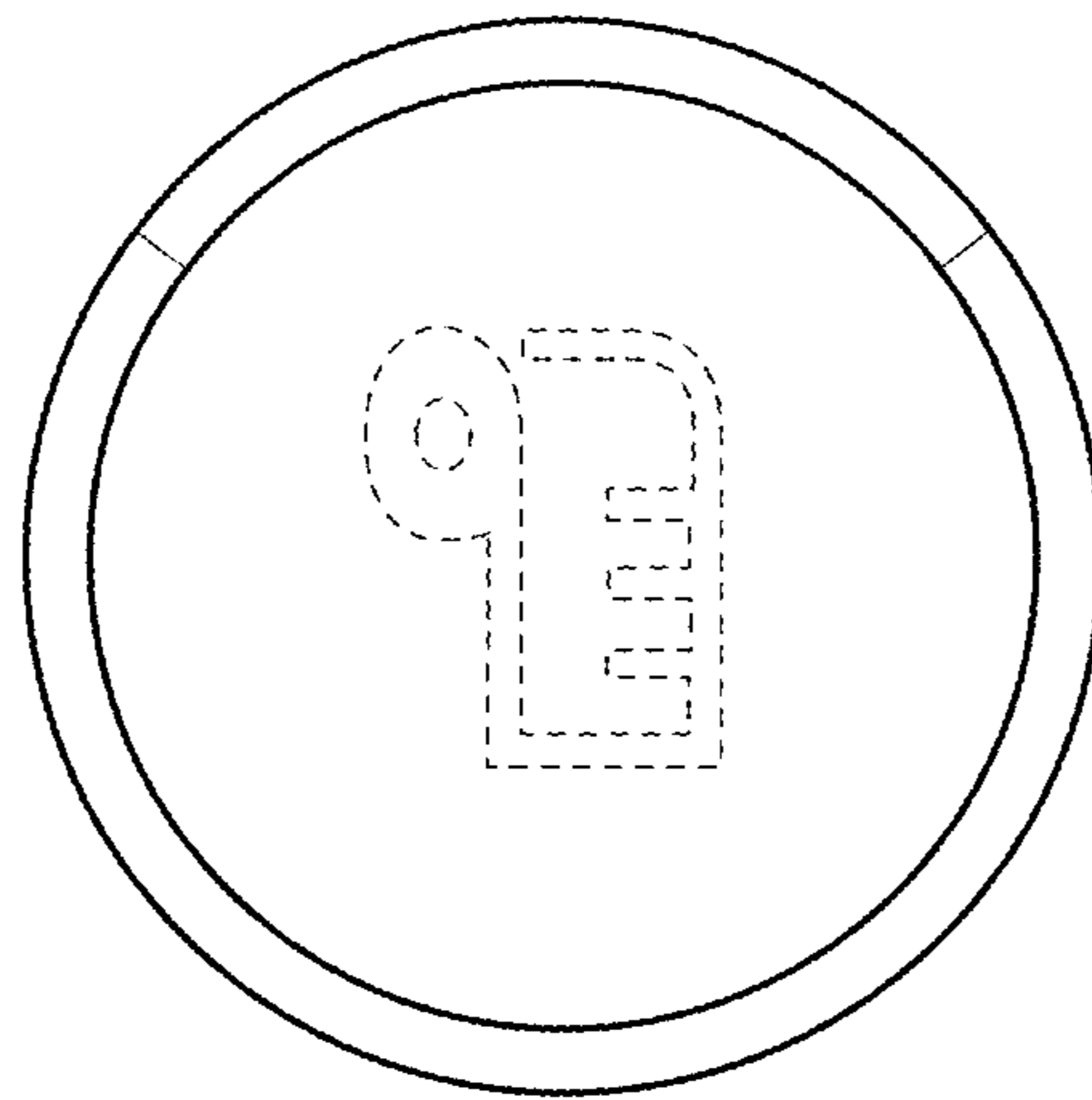
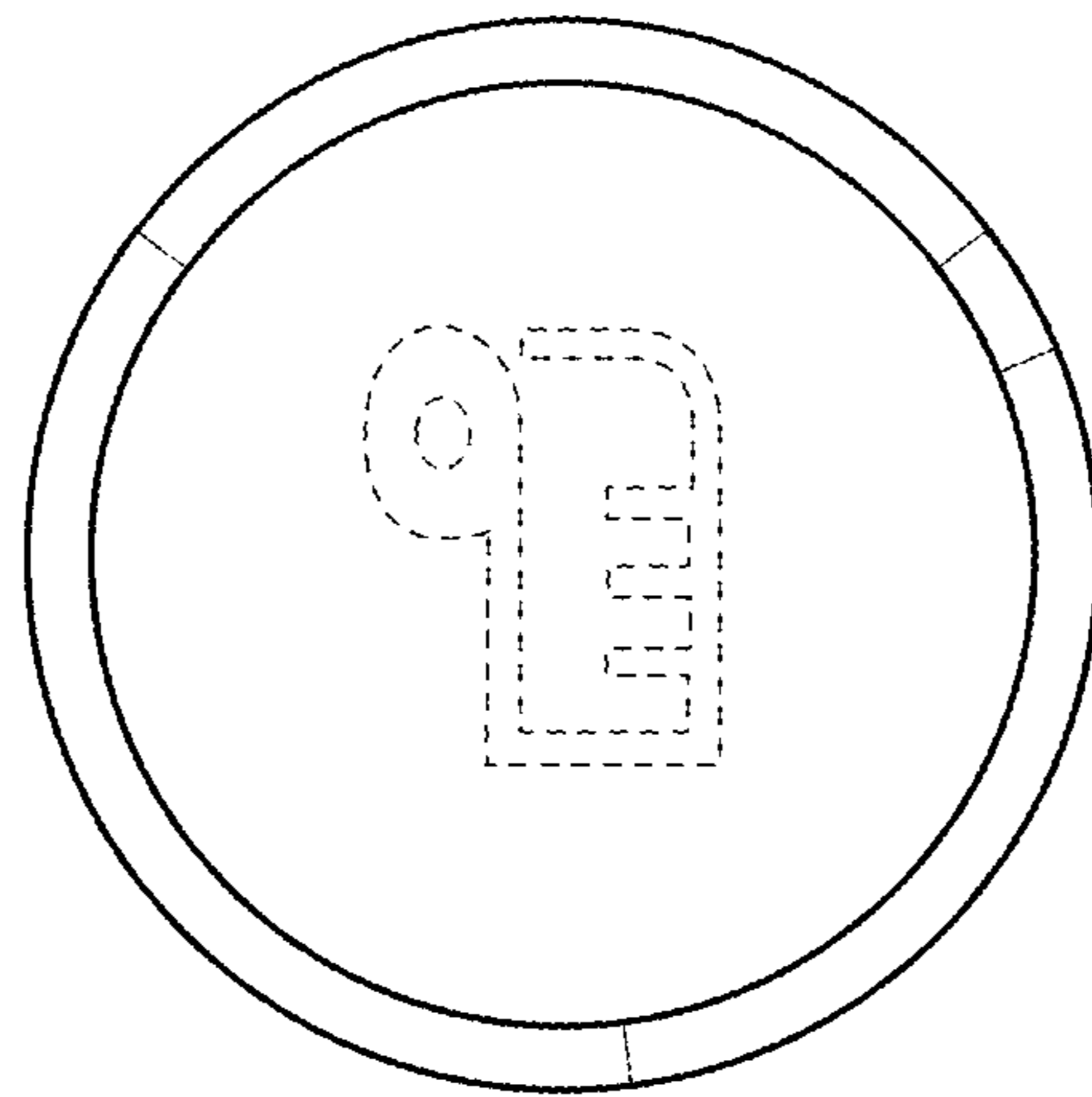


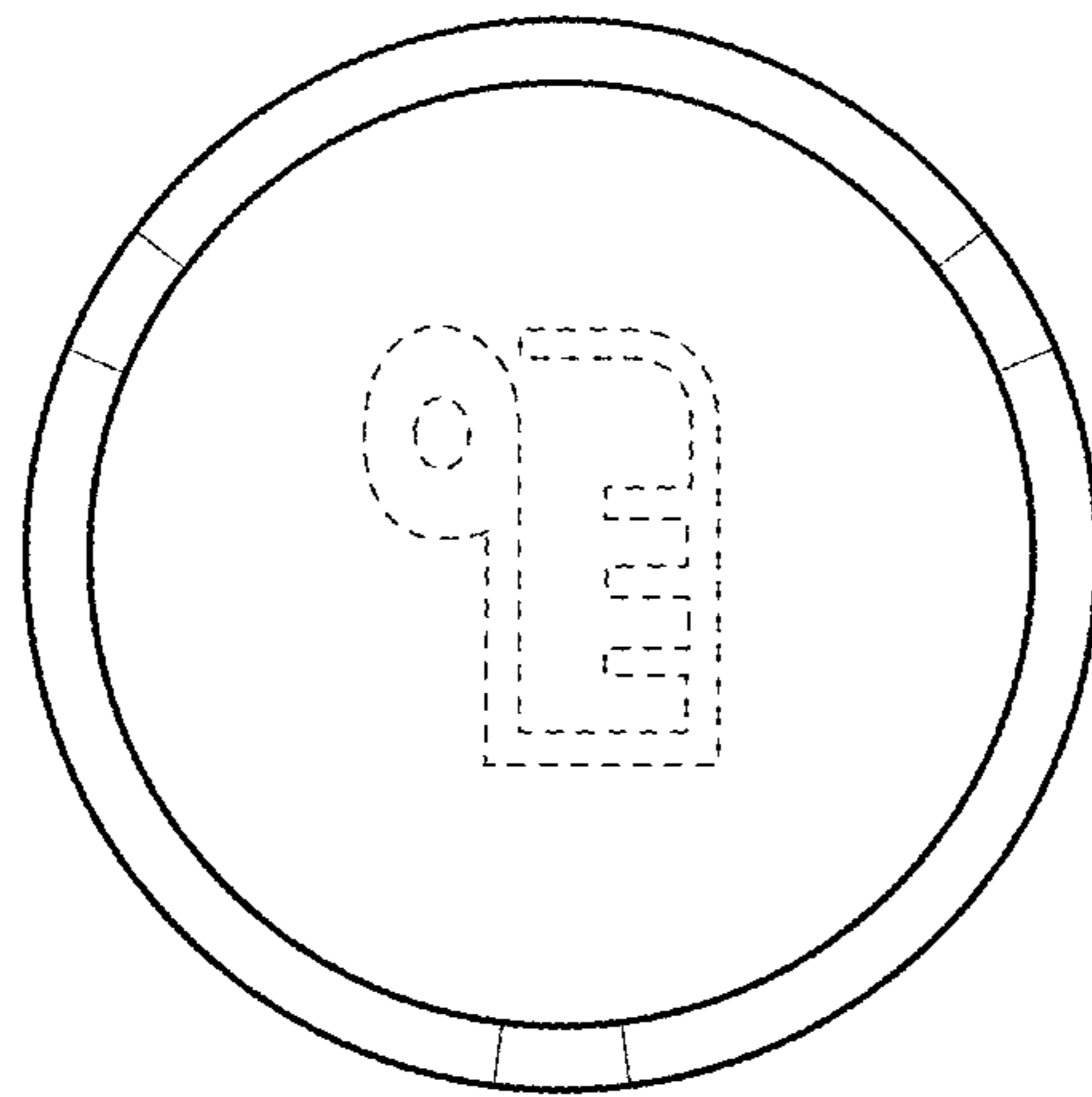
FIG. 18



**FIG. 19**



**FIG. 20**



**FIG. 21**

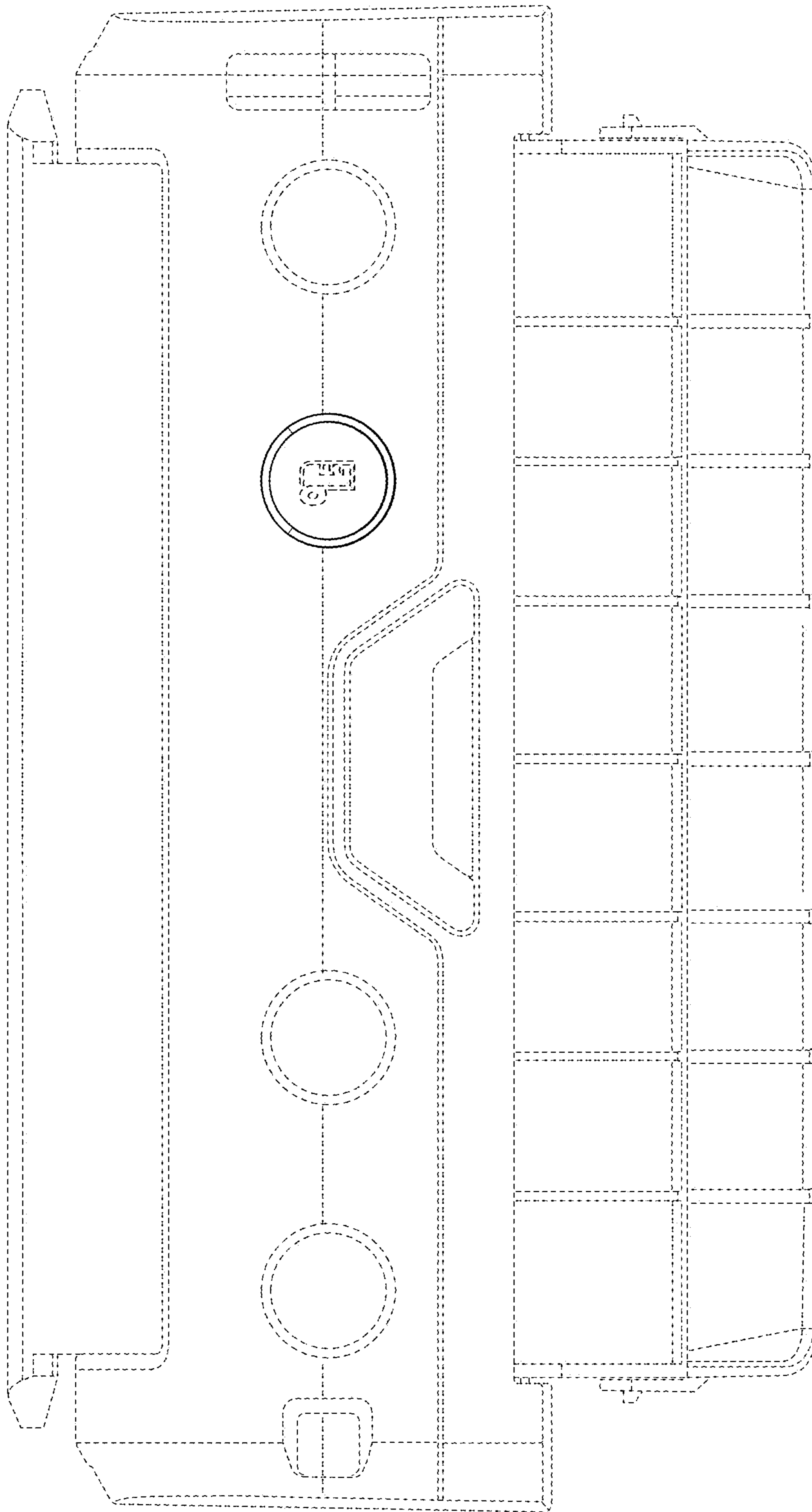


FIG. 22



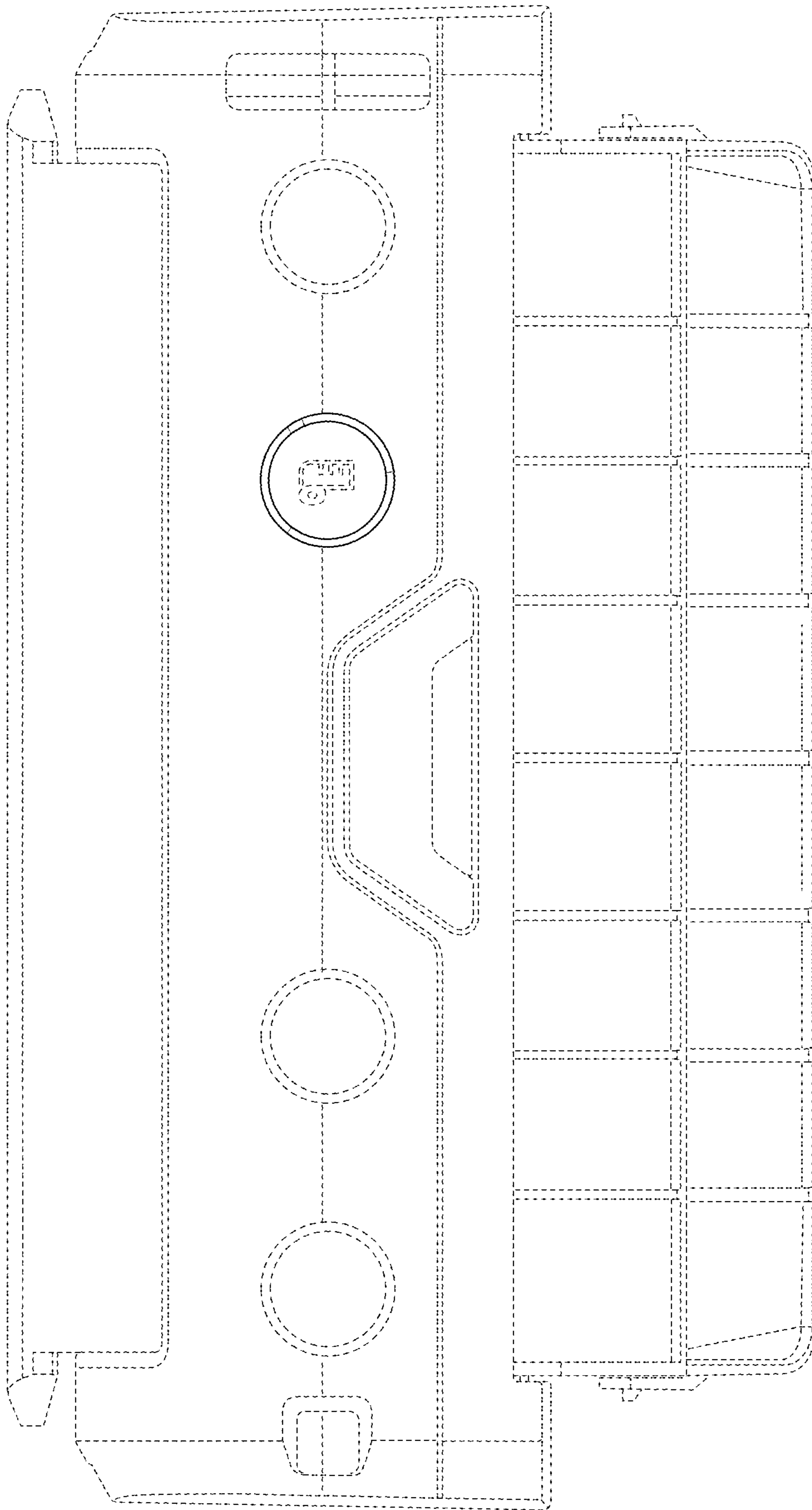


FIG. 23

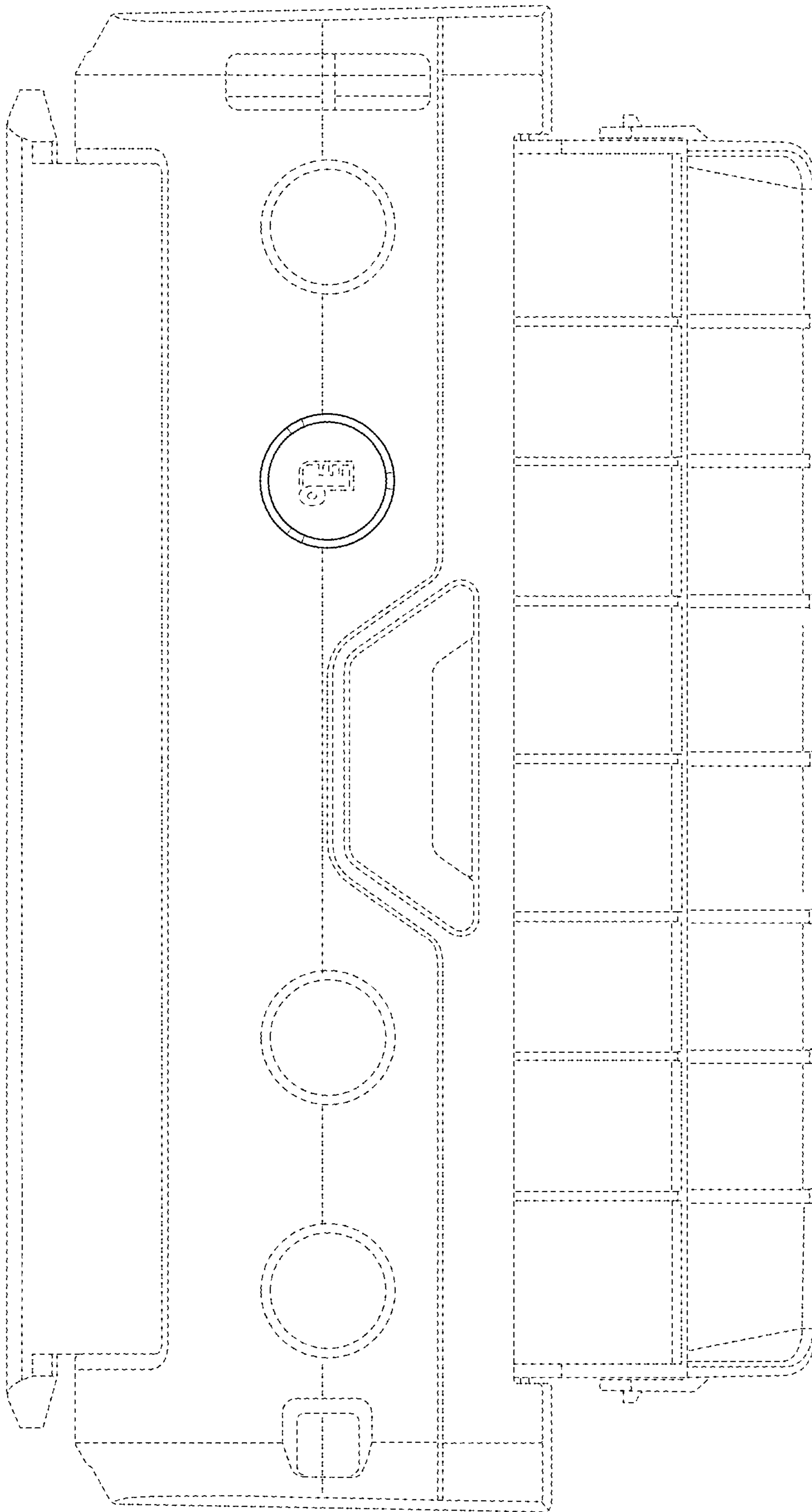
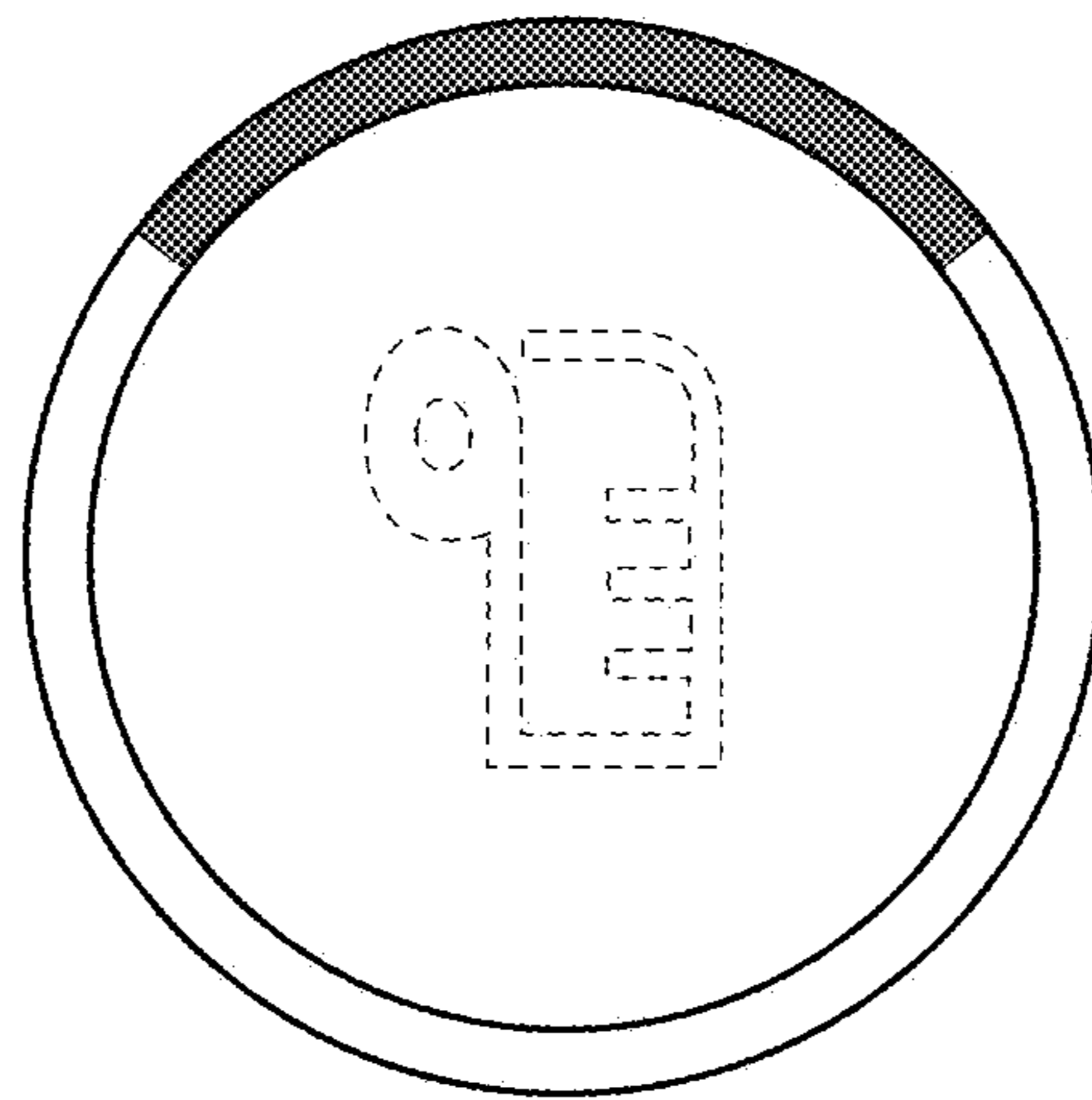
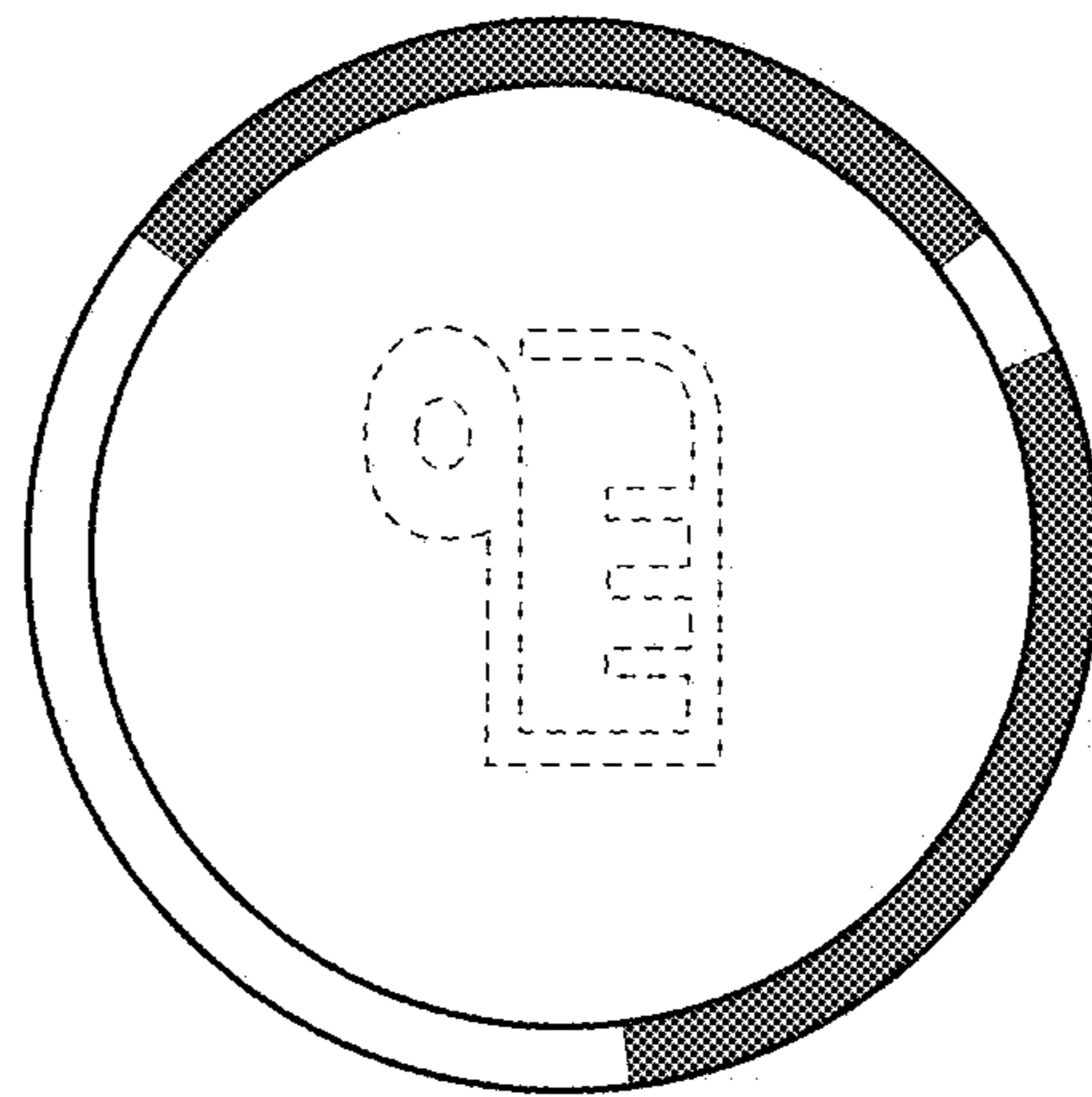


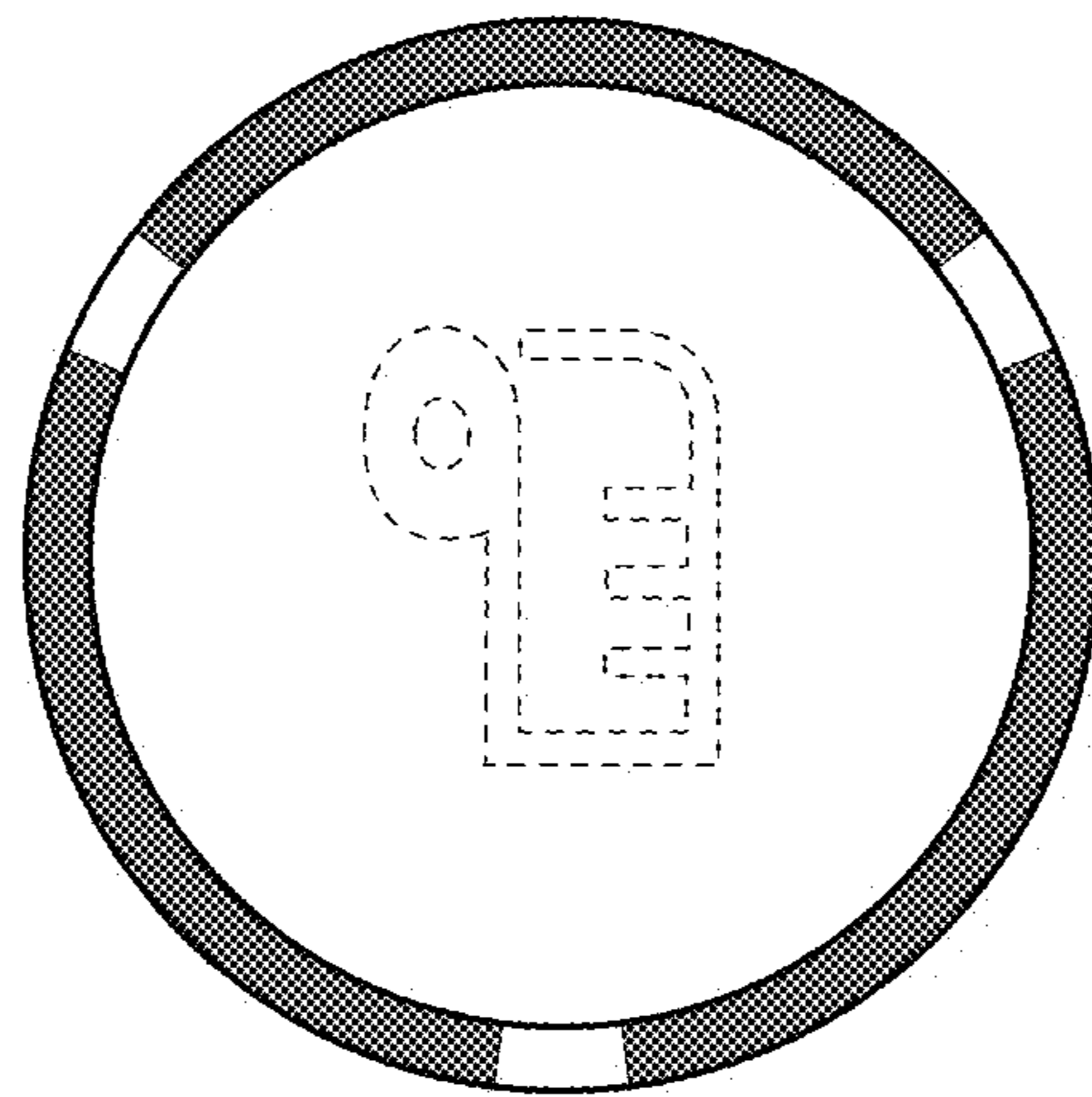
FIG. 24



**FIG. 25**



**FIG. 26**



**FIG. 27**

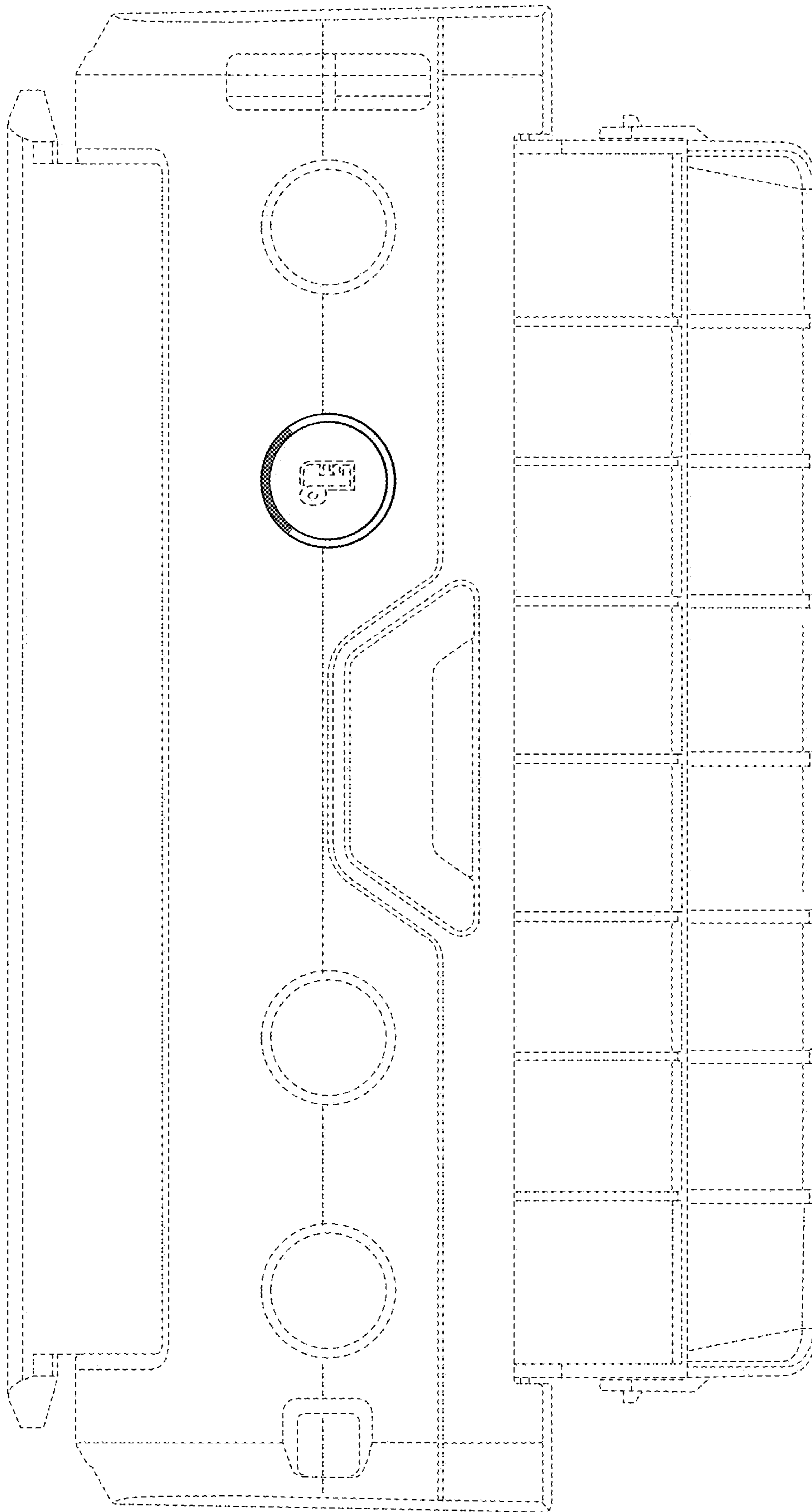


FIG. 28

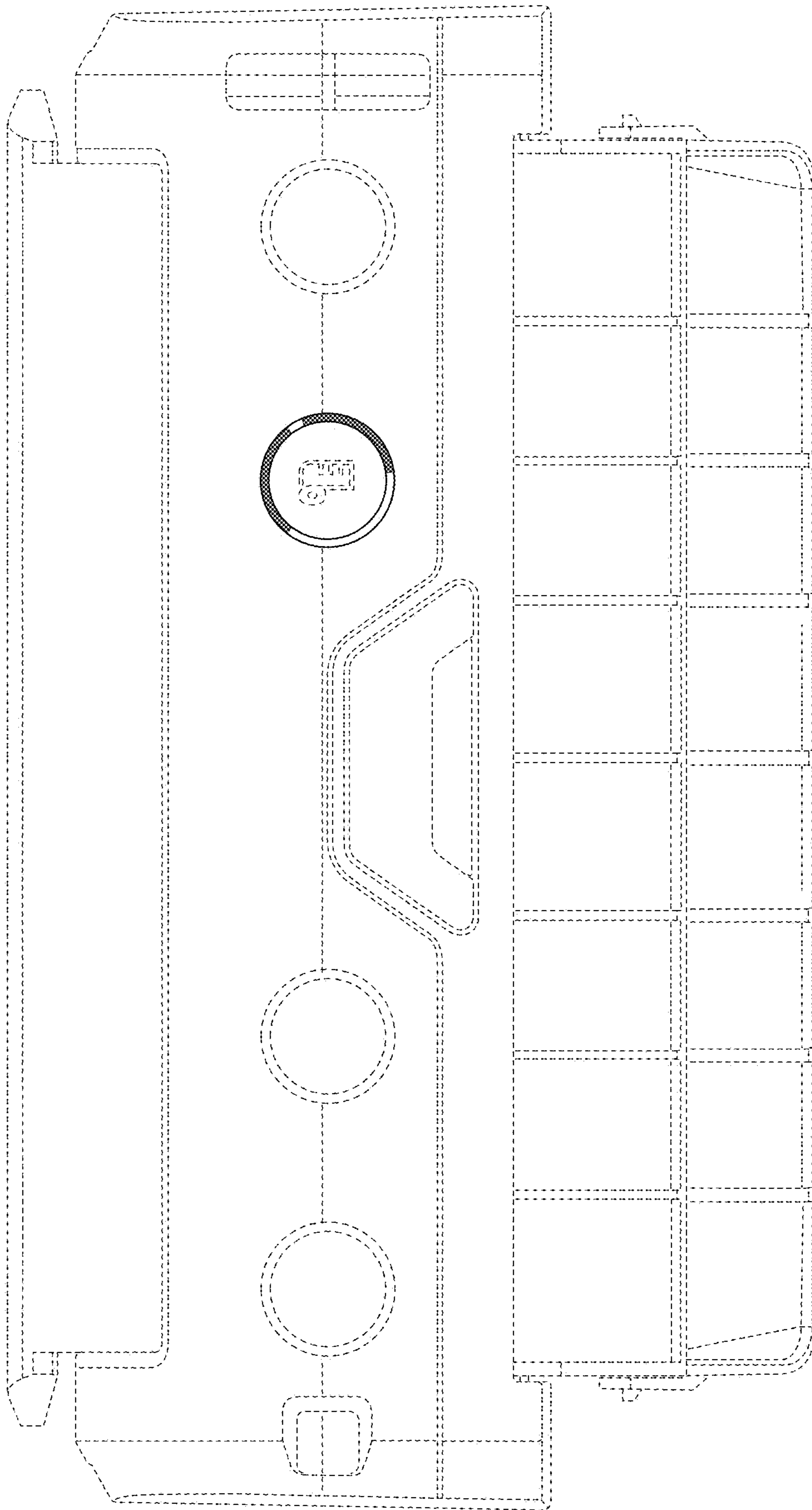


FIG. 29

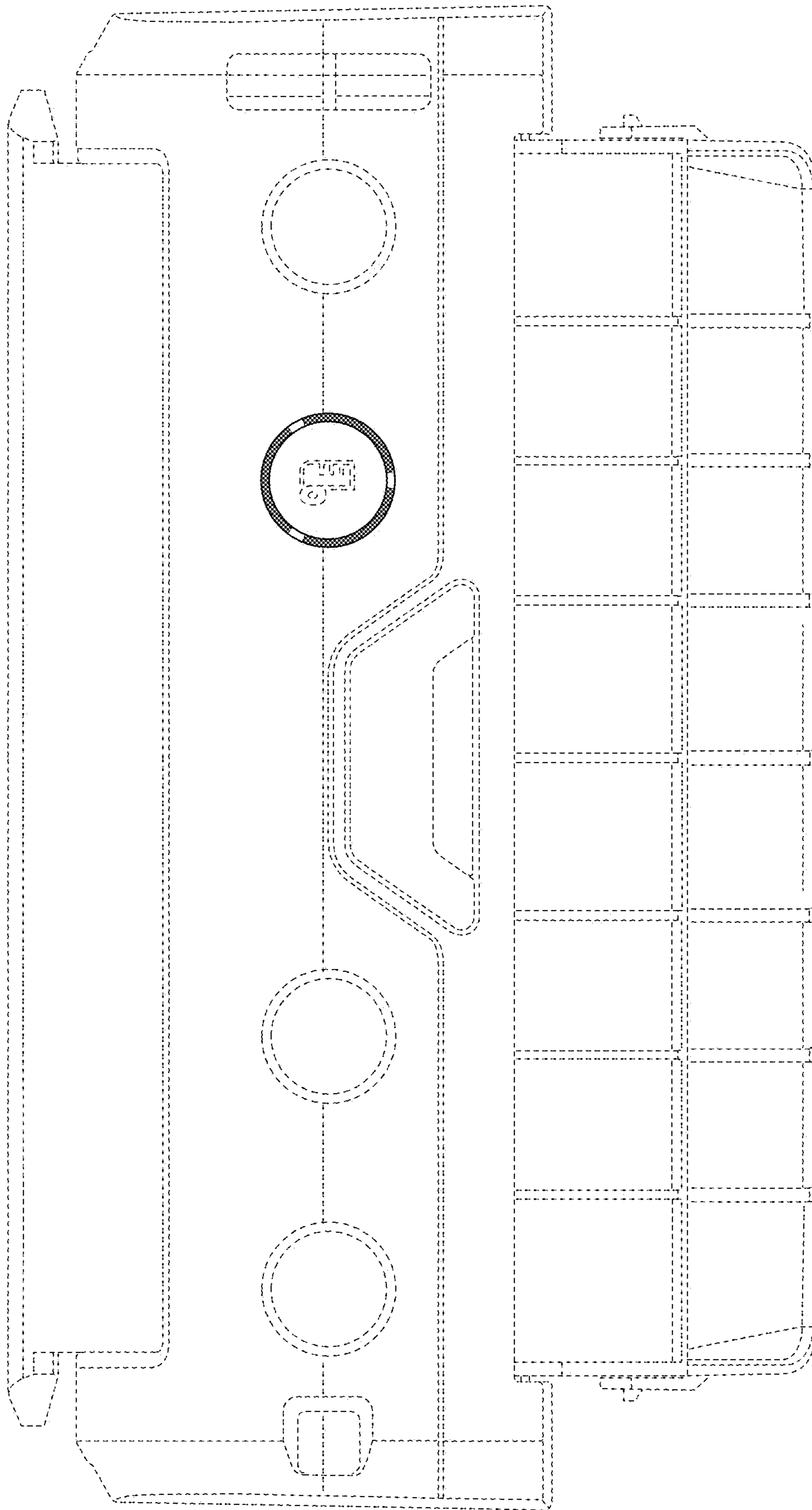


FIG. 30



UNITED STATES PATENT AND TRADEMARK OFFICE  
**CERTIFICATE OF CORRECTION**

PATENT NO. : D885,079 S  
APPLICATION NO. : 29/592818  
DATED : May 26, 2020  
INVENTOR(S) : Aaron Lee Sinclair

Page 1 of 1

It is certified that error appears in the above-identified patent and that said Letters Patent is hereby corrected as shown below:

On the Title Page

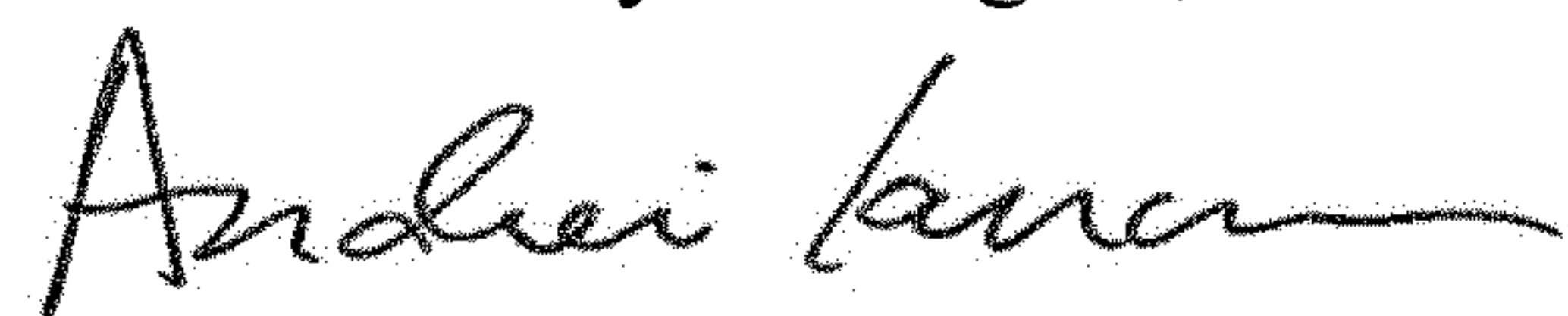
In the Description, item (57), on Page 2:

“FIG. 30 is another front view of third LED illumination thereof shown in FIG. 25.”

Should read:

-- FIG. 30 is another front view of the third LED illumination thereof. --

Signed and Sealed this  
Fourth Day of August, 2020



Andrei Iancu  
*Director of the United States Patent and Trademark Office*