



US00D885078S

(12) **United States Design Patent**
Liang et al.

(10) **Patent No.:** **US D885,078 S**

(45) **Date of Patent:** **** May 26, 2020**

(54) **RACK**

(71) Applicant: **XIAMEN HAIAOJI TECHNOLOGY CO., LTD.**, Xiamen (CN)

(72) Inventors: **Qiulian Liang**, Quanzhou (CN);
Jianwei Zhang, Xiamen (CN);
Mingguang He, Zhangzhou (CN);
Guobin Zhang, Quanzhou (CN)

(73) Assignee: **XIAMEN HAIAOJI TECHNOLOGY CO., LTD.**, Xiamen (CN)

(**) Term: **15 Years**

(21) Appl. No.: **29/721,740**

(22) Filed: **Jan. 23, 2020**

(51) **LOC (12) Cl.** **06-02**

(52) **U.S. Cl.**
USPC **D6/392; D6/382**

(58) **Field of Classification Search**
USPC D6/382–384, 392–395, 718
CPC A47C 19/00; A47C 19/02; A47C 19/12;
A47C 19/122; A47C 19/126; A47C
23/00; A47C 23/057
See application file for complete search history.

(56) **References Cited**

U.S. PATENT DOCUMENTS

594,915	A *	12/1897	Simpson	A47C 23/00 5/244
8,869,324	B1 *	10/2014	Lin	A47C 19/02 5/200.1
9,314,386	B1 *	4/2016	Boyd	A61G 7/015
9,526,347	B2 *	12/2016	Boyd	A47C 19/04
9,907,405	B2 *	3/2018	An	A47C 19/122
10,123,629	B2 *	11/2018	Choi	A47C 19/122
D848,176	S	5/2019	Christiansen		

D855,346	S *	8/2019	Lee	D6/393
D862,104	S	10/2019	Suzuki et al.		
10,485,352	B2 *	11/2019	Choi	A47C 19/122
10,557,492	B2 *	2/2020	Oh	F16B 12/54
10,602,852	B2 *	3/2020	Choi	A47C 19/122

(Continued)

OTHER PUBLICATIONS

Olee Sleep Mattress Foundation, amazon.com, reviewed in 2016, site visited Apr. 1, 2020, available online at <https://www.amazon.com/Olee-Sleep-Heavy-Non-slip-Support/dp/B01C8PIVKU?th=1> (Year: 2016).*

(Continued)

Primary Examiner — Cathron C Brooks

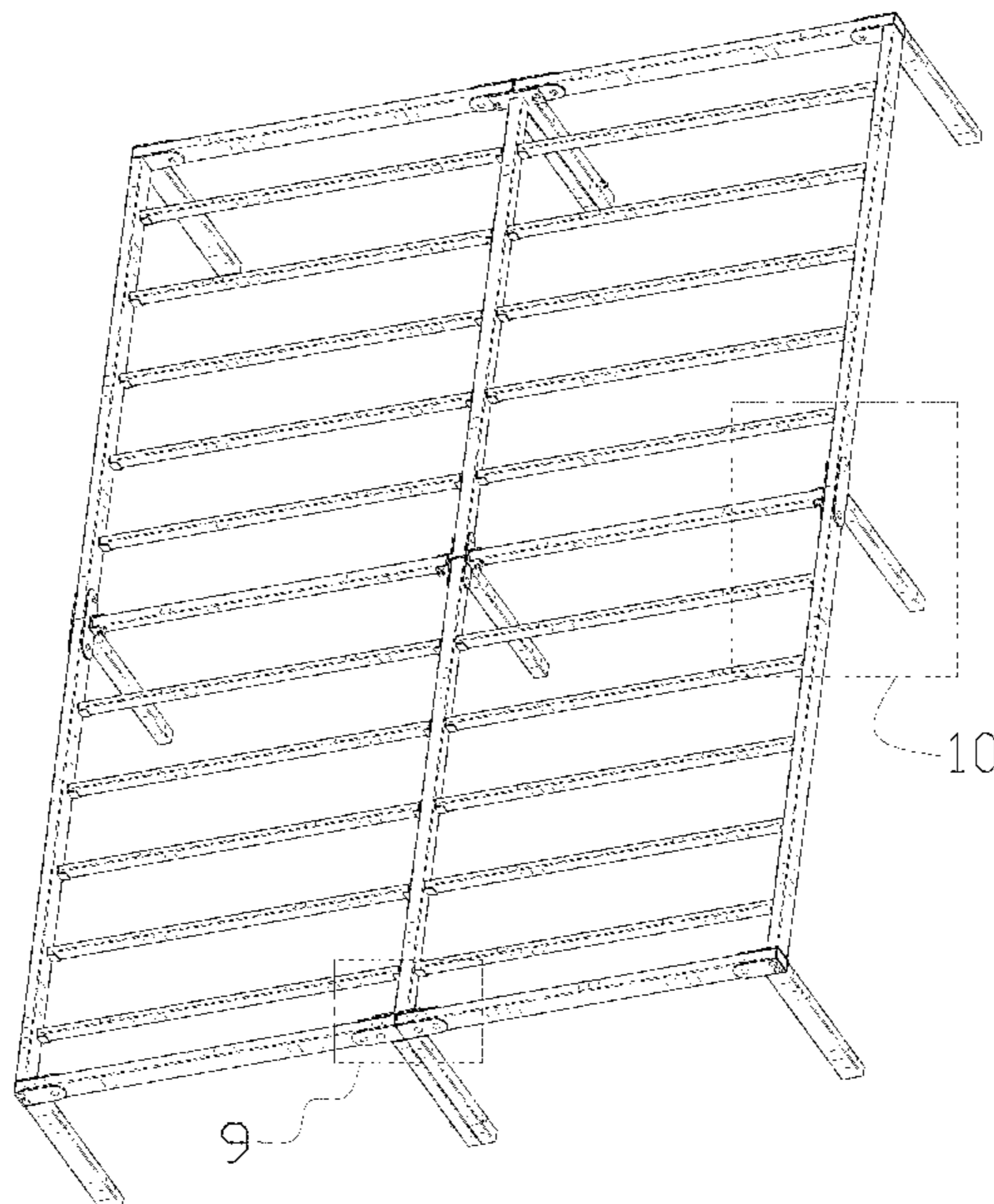
(57) **CLAIM**

The ornamental design for a rack, as shown and described.

DESCRIPTION

FIG. 1 is a perspective view of a rack showing our new design;
FIG. 2 is another perspective view thereof;
FIG. 3 is a front elevational view thereof;
FIG. 4 is a rear elevational view thereof;
FIG. 5 is a left side elevational view thereof;
FIG. 6 is a right side elevational view thereof;
FIG. 7 is a top plan view thereof;
FIG. 8 is a bottom plan view thereof;
FIG. 9 is an enlarged view of portion 9 shown in FIG. 1;
FIG. 10 is an enlarged view of portion 10 shown in FIG. 1;
FIG. 11 is an enlarged view of portion 11 shown in FIG. 2;
FIG. 12 is an enlarged view of portion 12 shown in FIG. 3;
and,
FIG. 13 is an enlarged view of portion 13 shown in FIG. 8.
The broken lines in the drawings depict portions of the rack that form no part of the claimed design.

1 Claim, 13 Drawing Sheets



(56)

References Cited

U.S. PATENT DOCUMENTS

2010/0005587 A1* 1/2010 Choi A47C 19/122
5/202
2012/0222216 A1* 9/2012 Jin A47C 19/028
5/400
2015/0320225 A1* 11/2015 Boyd A47C 19/04
5/202
2016/0206111 A1* 7/2016 Oh A47C 19/122
2016/0206112 A1* 7/2016 Oh A47C 19/126
2016/0302583 A1* 10/2016 Oh A47C 19/12
2017/0196364 A1* 7/2017 Choi A47C 19/024
2017/0347805 A1* 12/2017 Choi A47C 19/024
2018/0042391 A1* 2/2018 Oh A47C 19/027
2018/0055235 A1* 3/2018 Choi A47C 19/12
2018/0192778 A1* 7/2018 Choi A47C 19/027
2018/0271296 A1* 9/2018 Harrow A47C 19/022
2019/0387890 A1* 12/2019 Choi A47C 19/14

OTHER PUBLICATIONS

Zinus Luis Quick Link platform bed, amazon.com, reviewed in 2017, site visited Apr. 1, 2020, available online at <https://www.amazon.com/Zinus-Platform-Mattress-Foundation-Spring/dp/B071VKJRY5?th=1> (Year: 2017).*

* cited by examiner

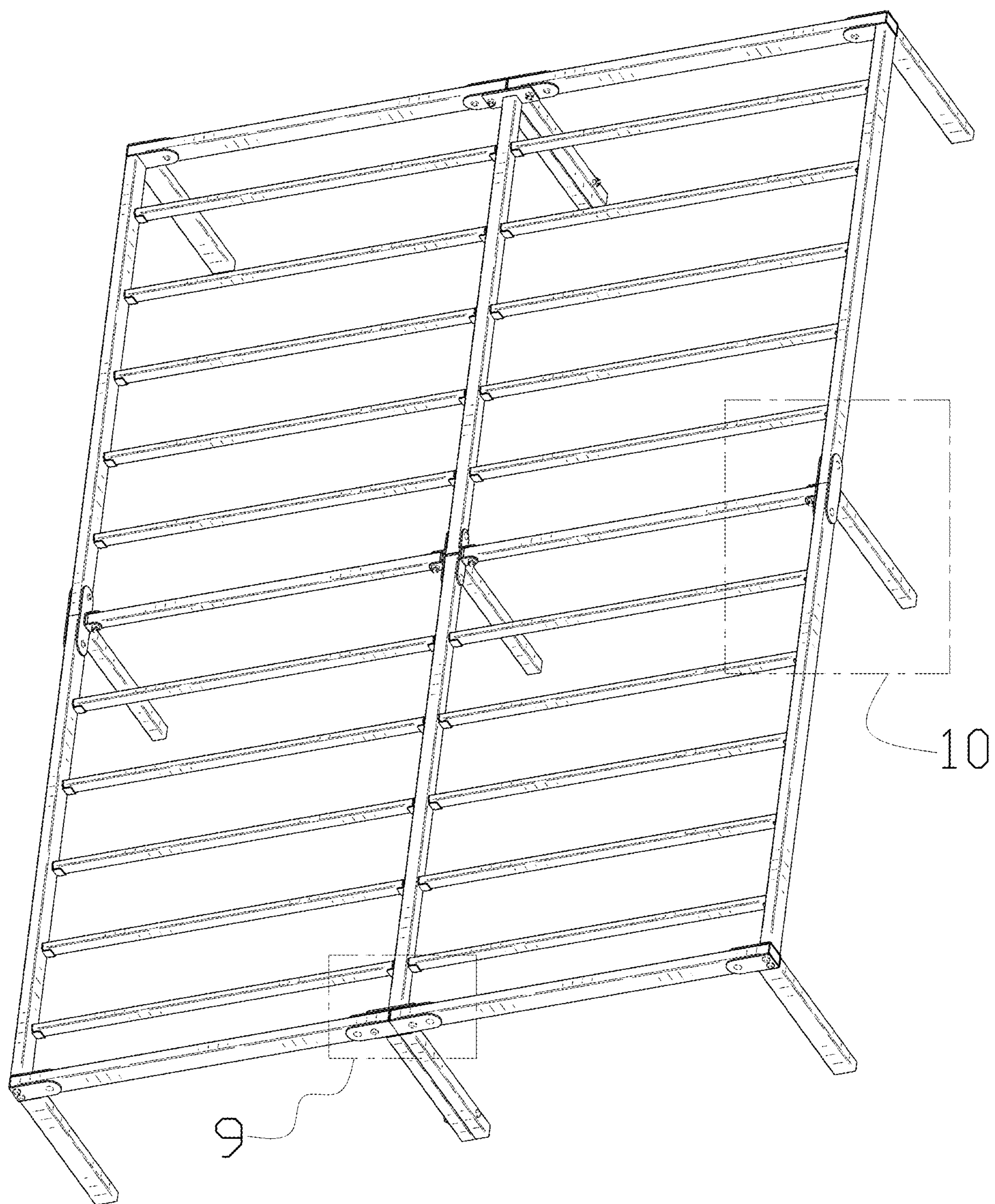


FIG. 1

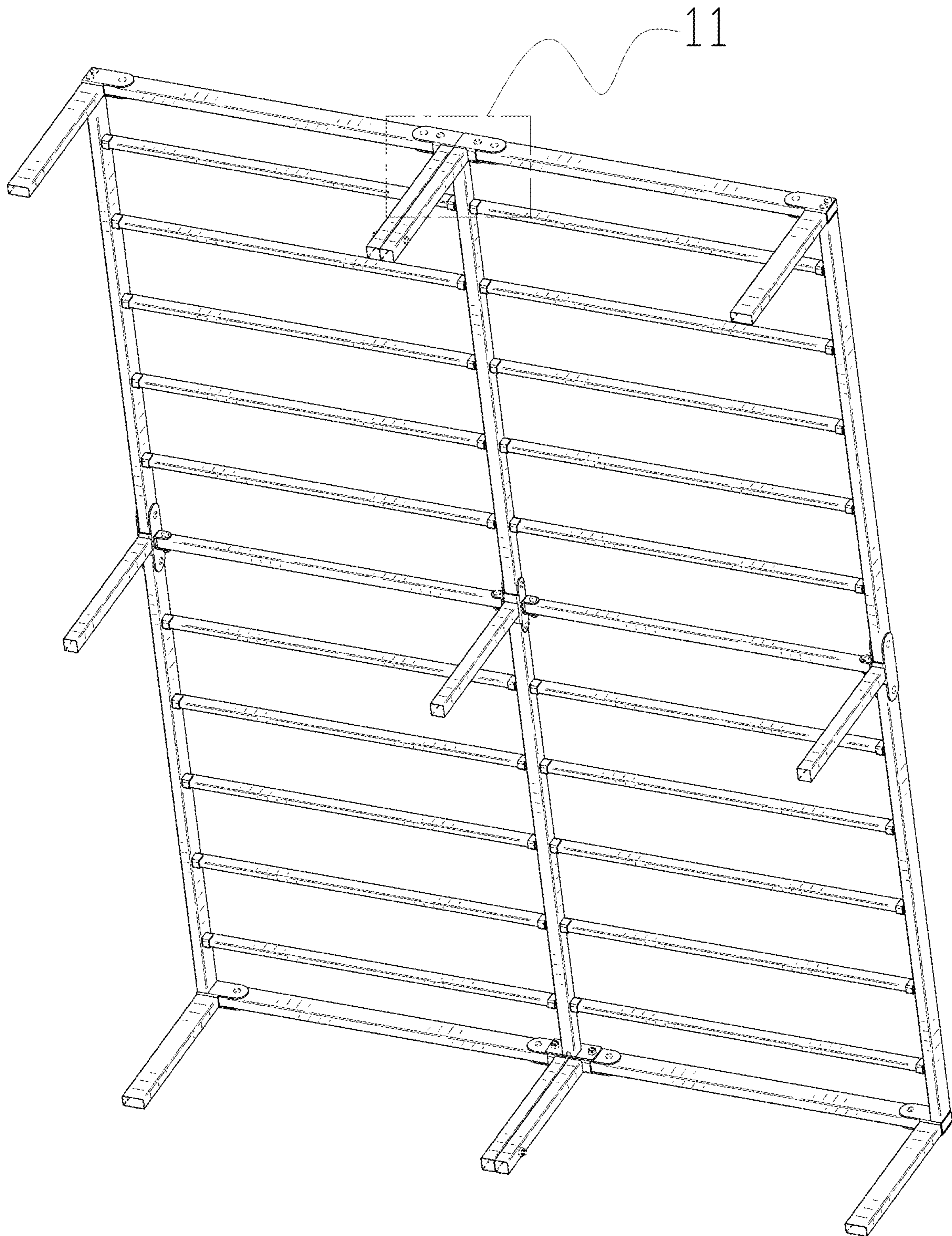


FIG. 2

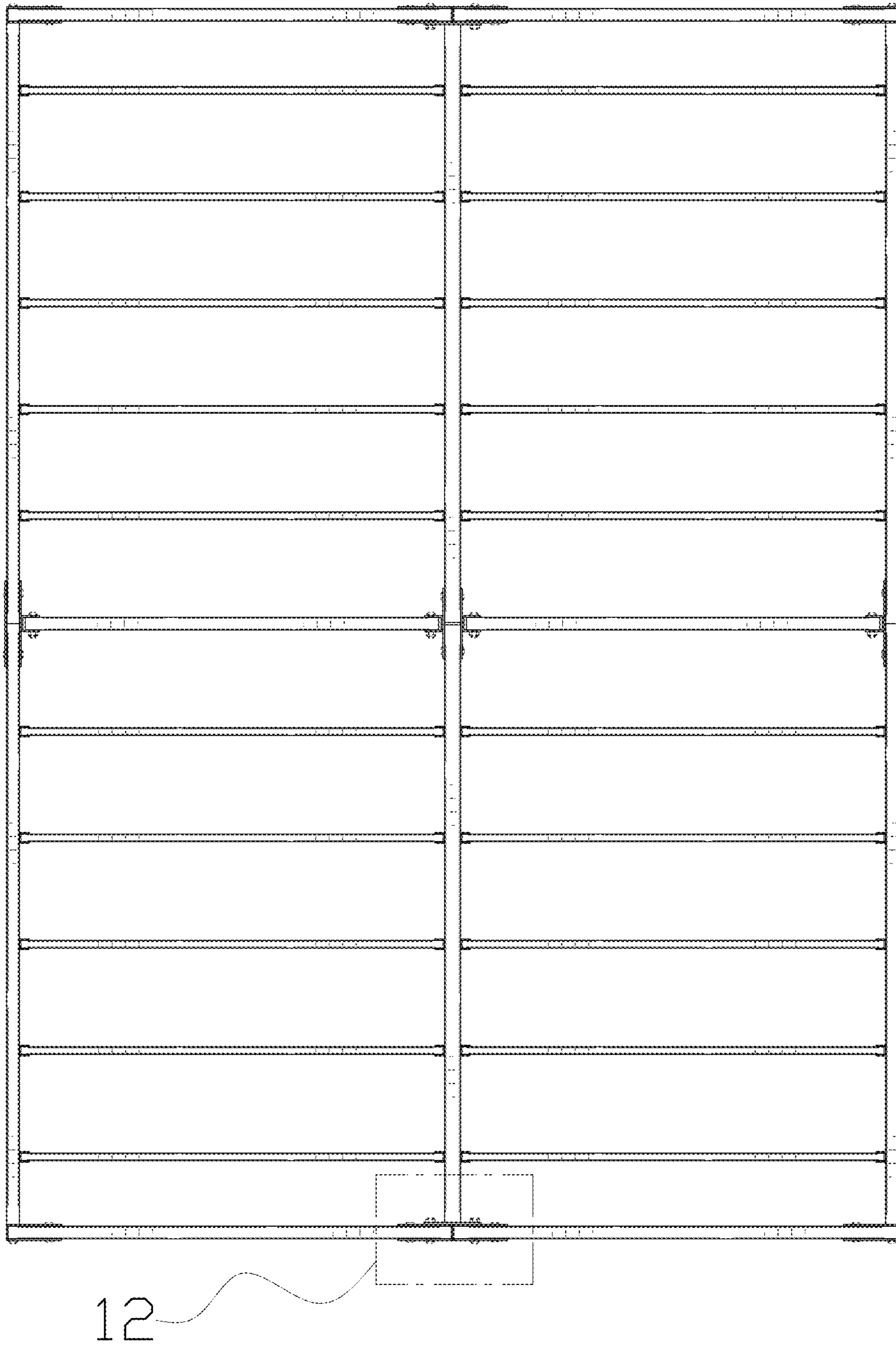


FIG. 3

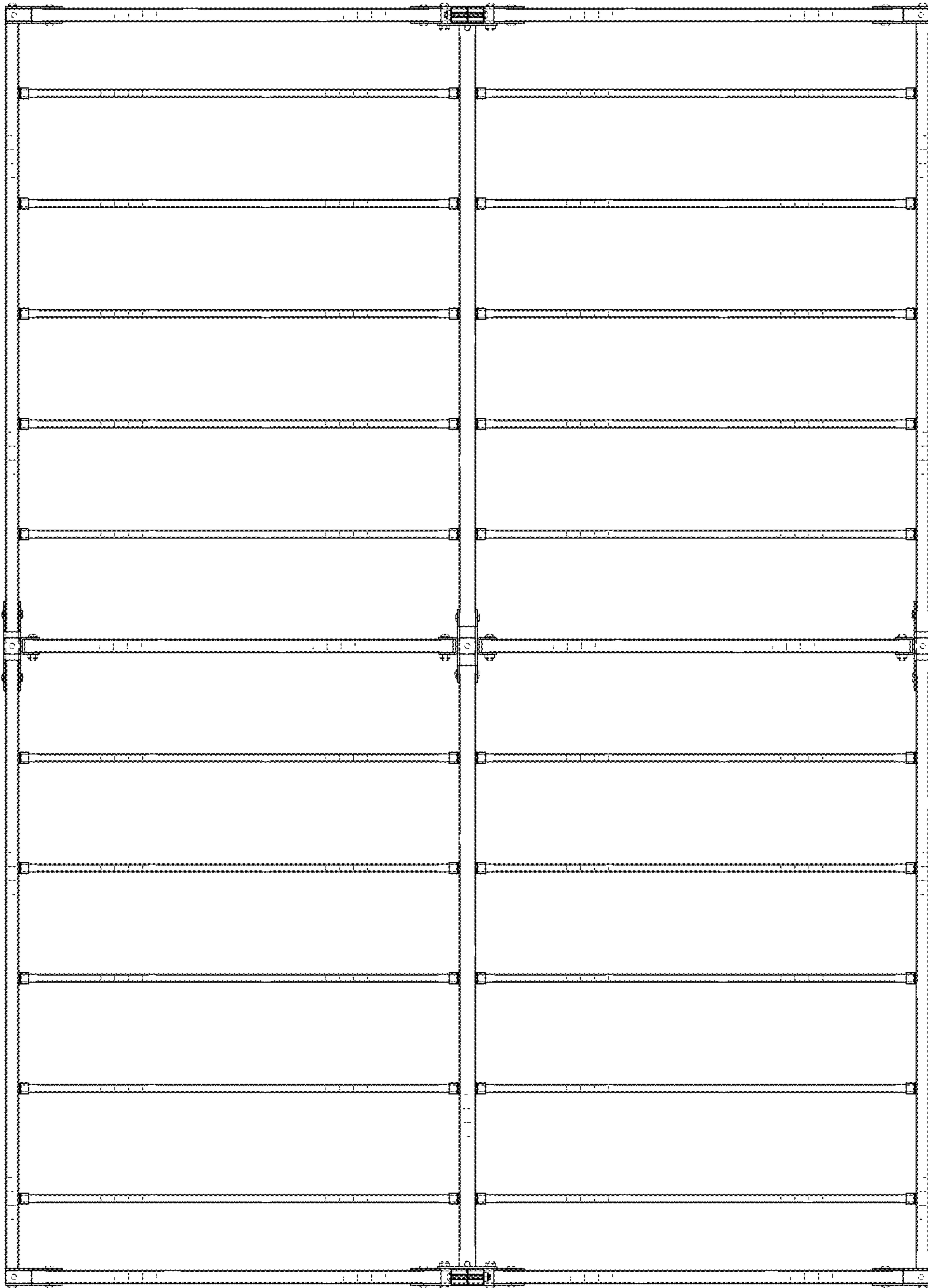


FIG. 4

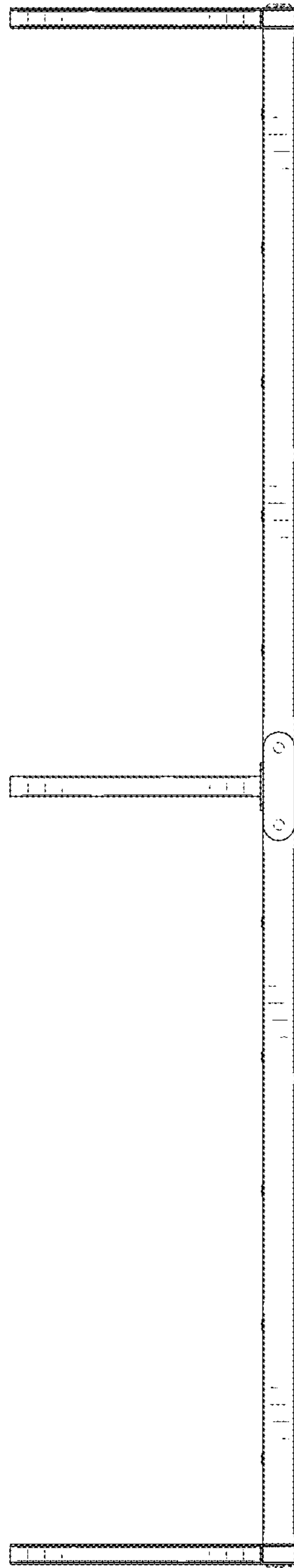


FIG. 5

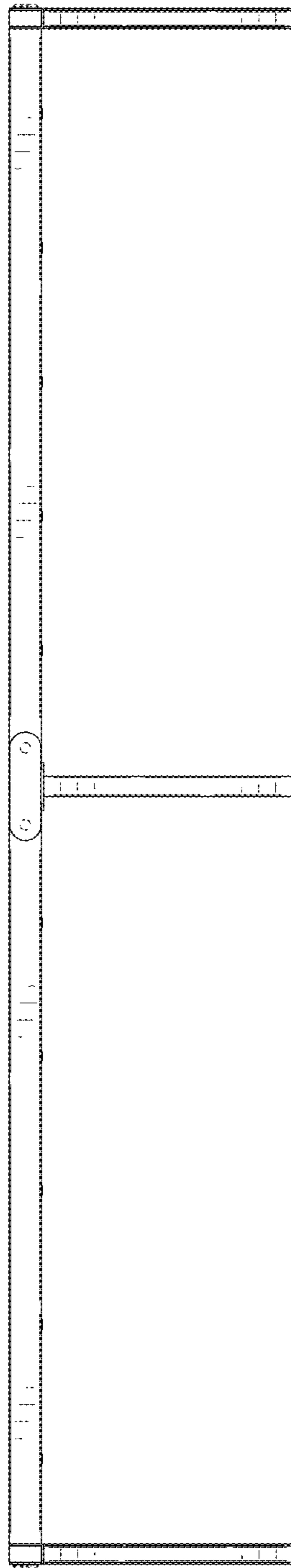


FIG. 6

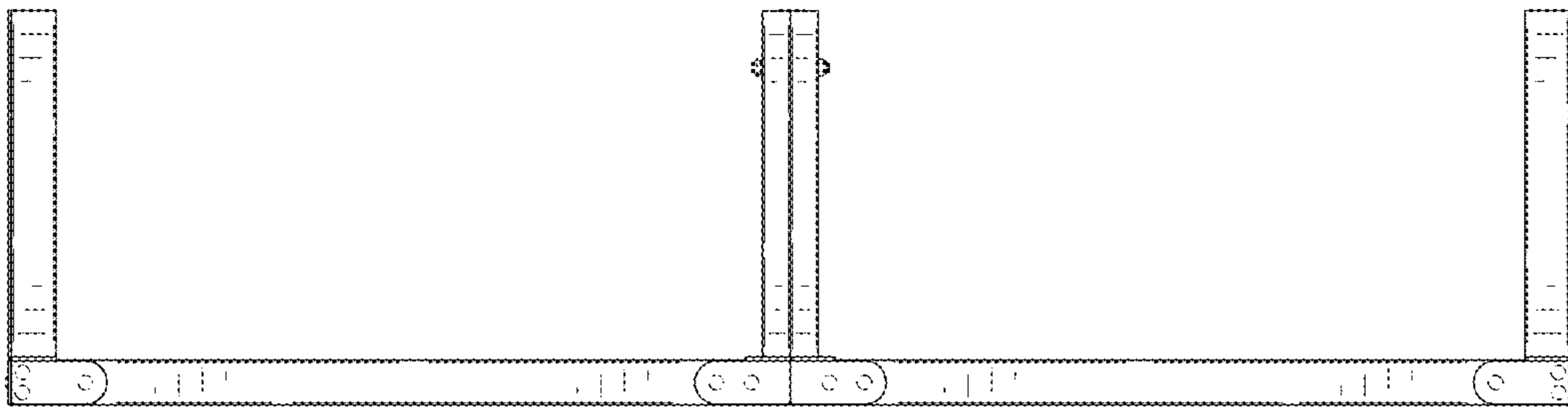


FIG. 7

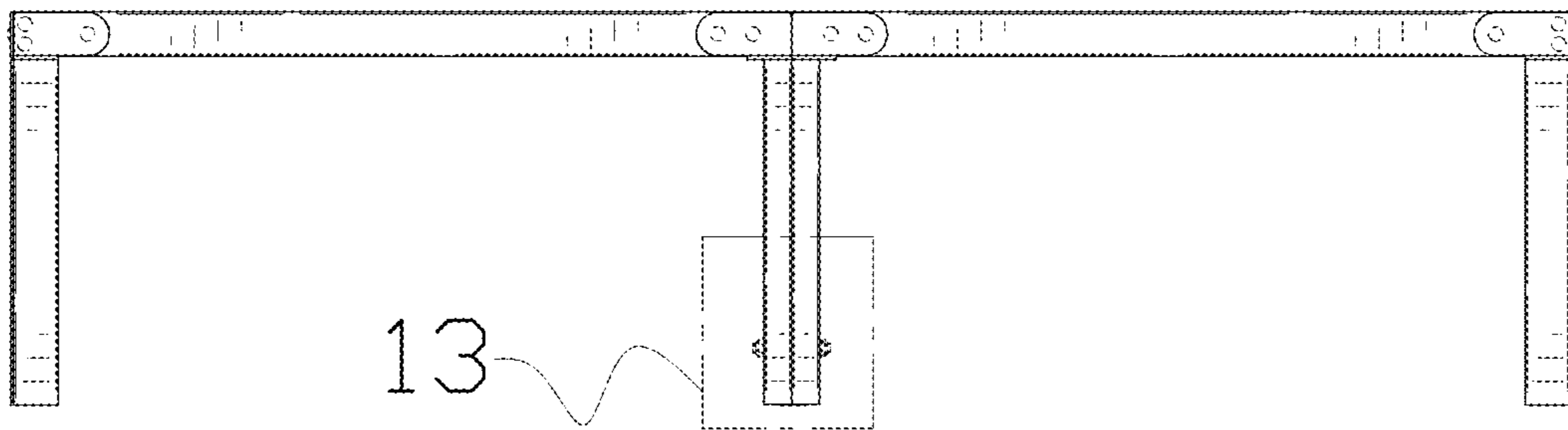


FIG. 8

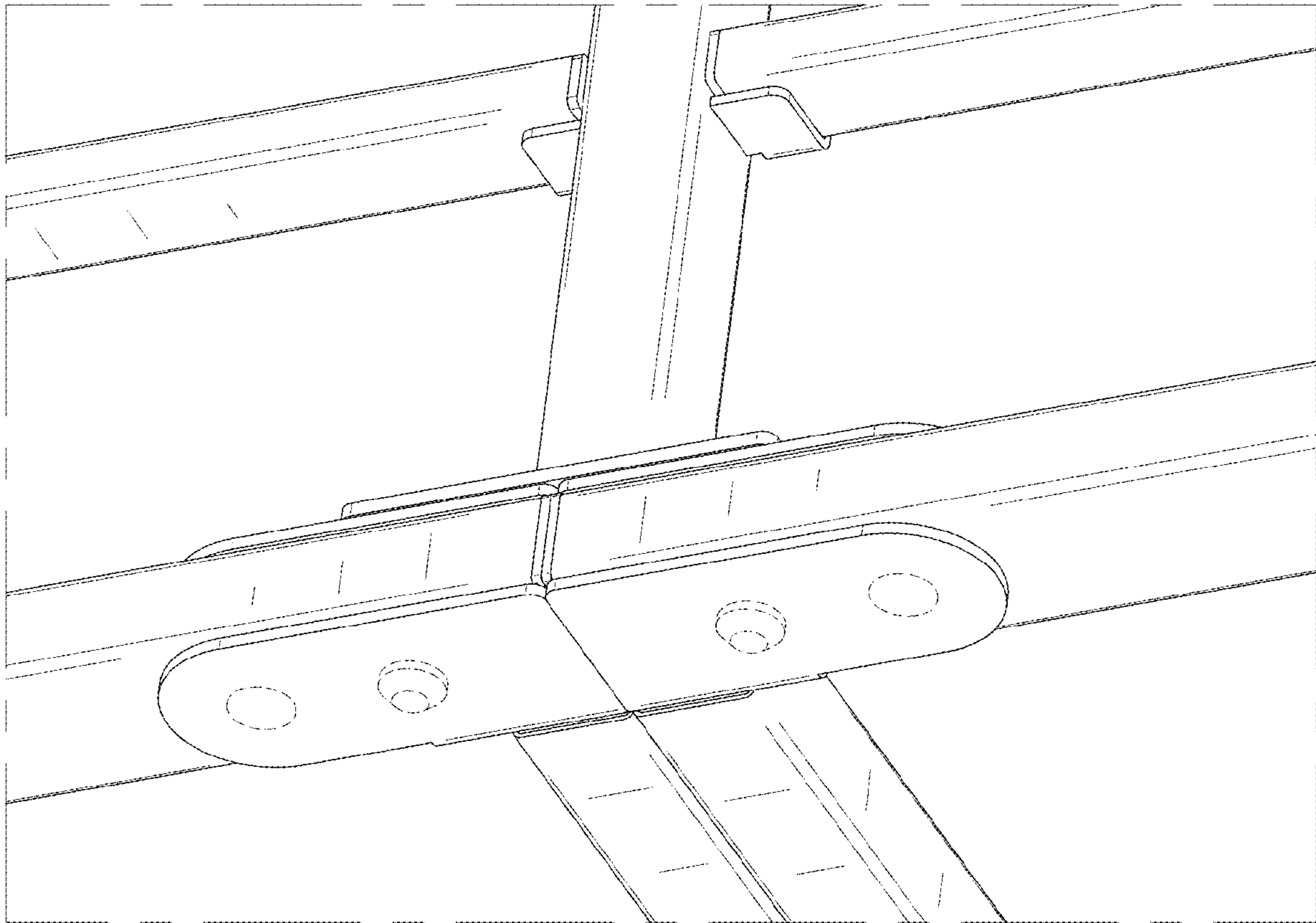


FIG. 9

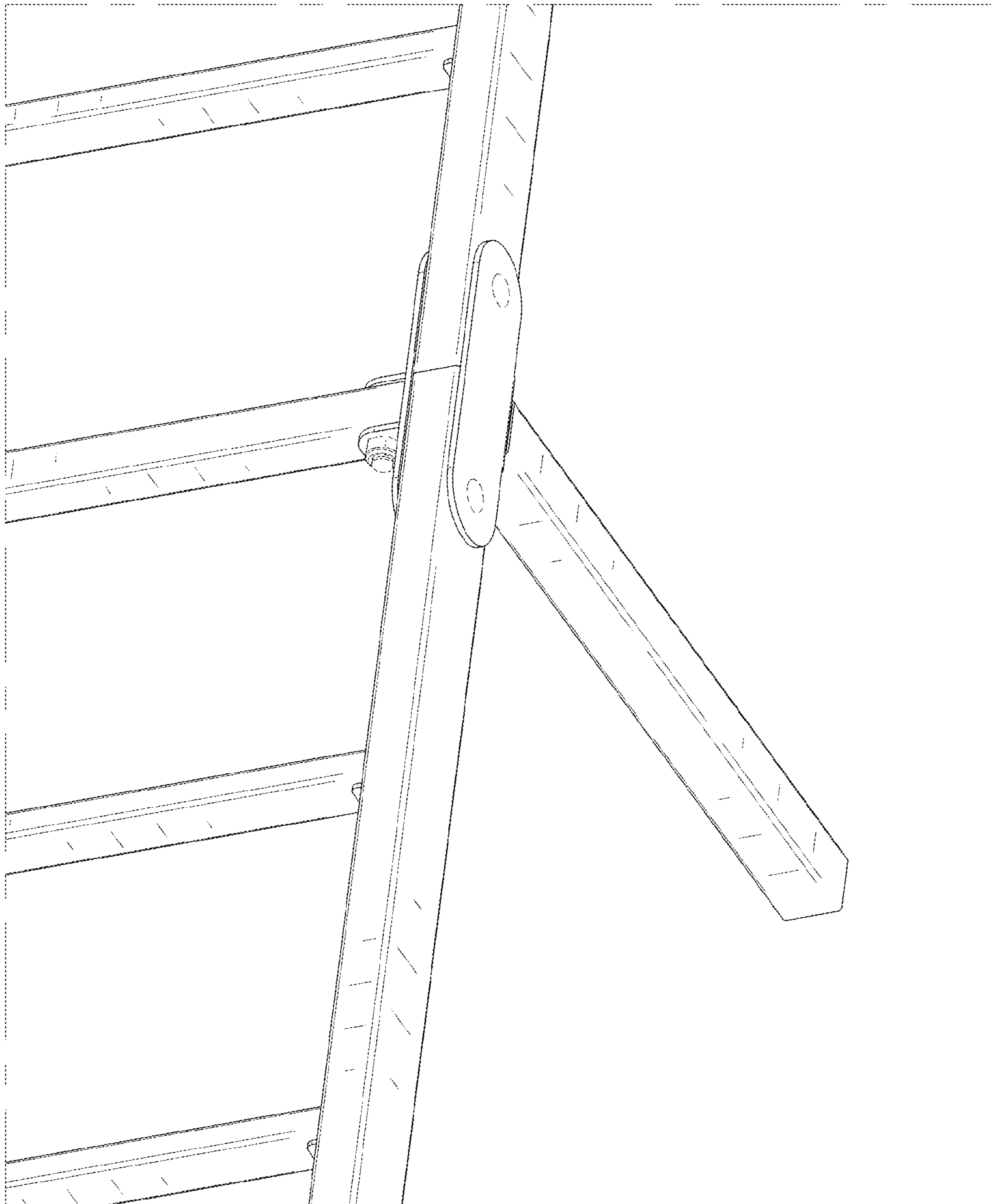


FIG. 10

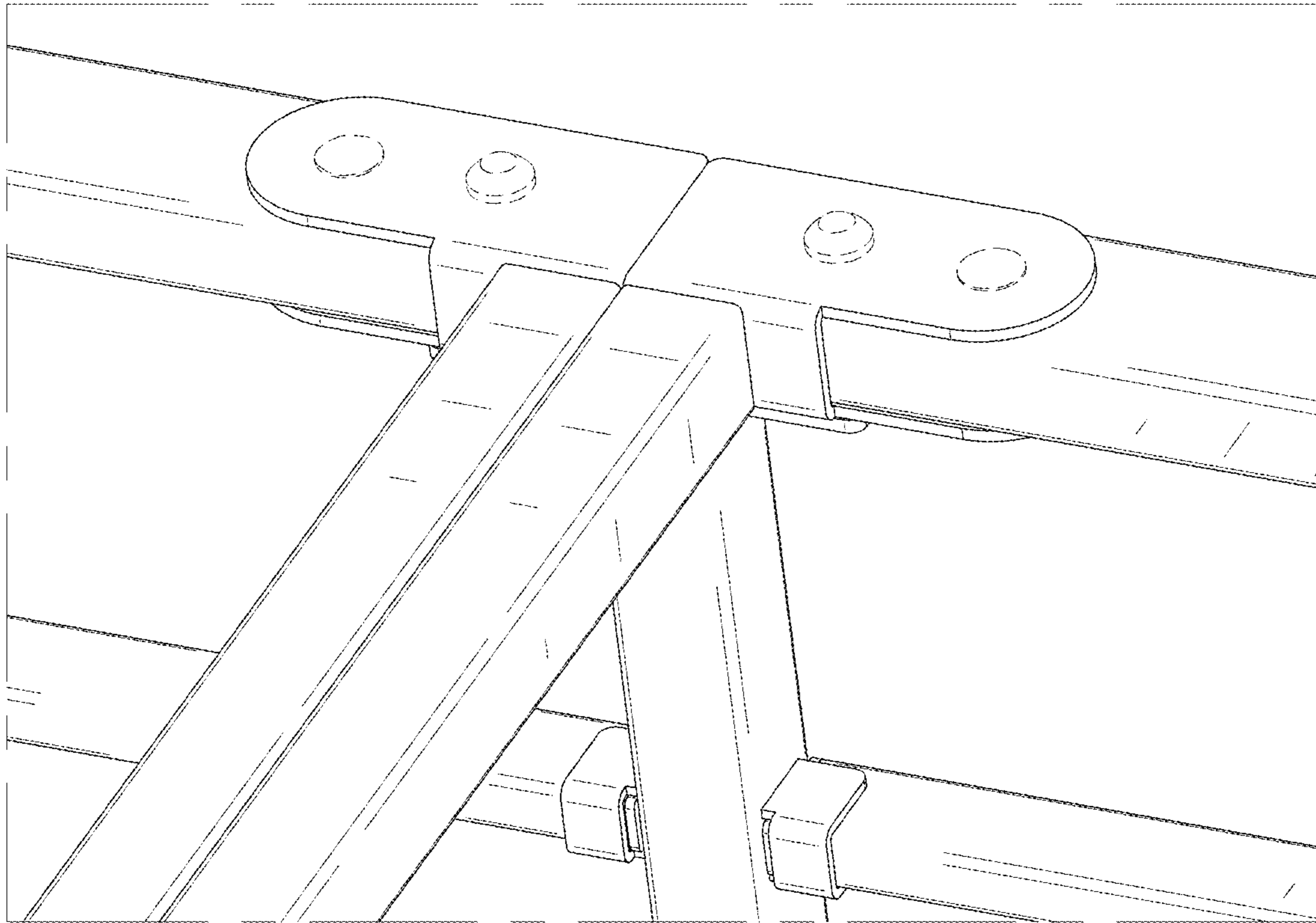


FIG. 11

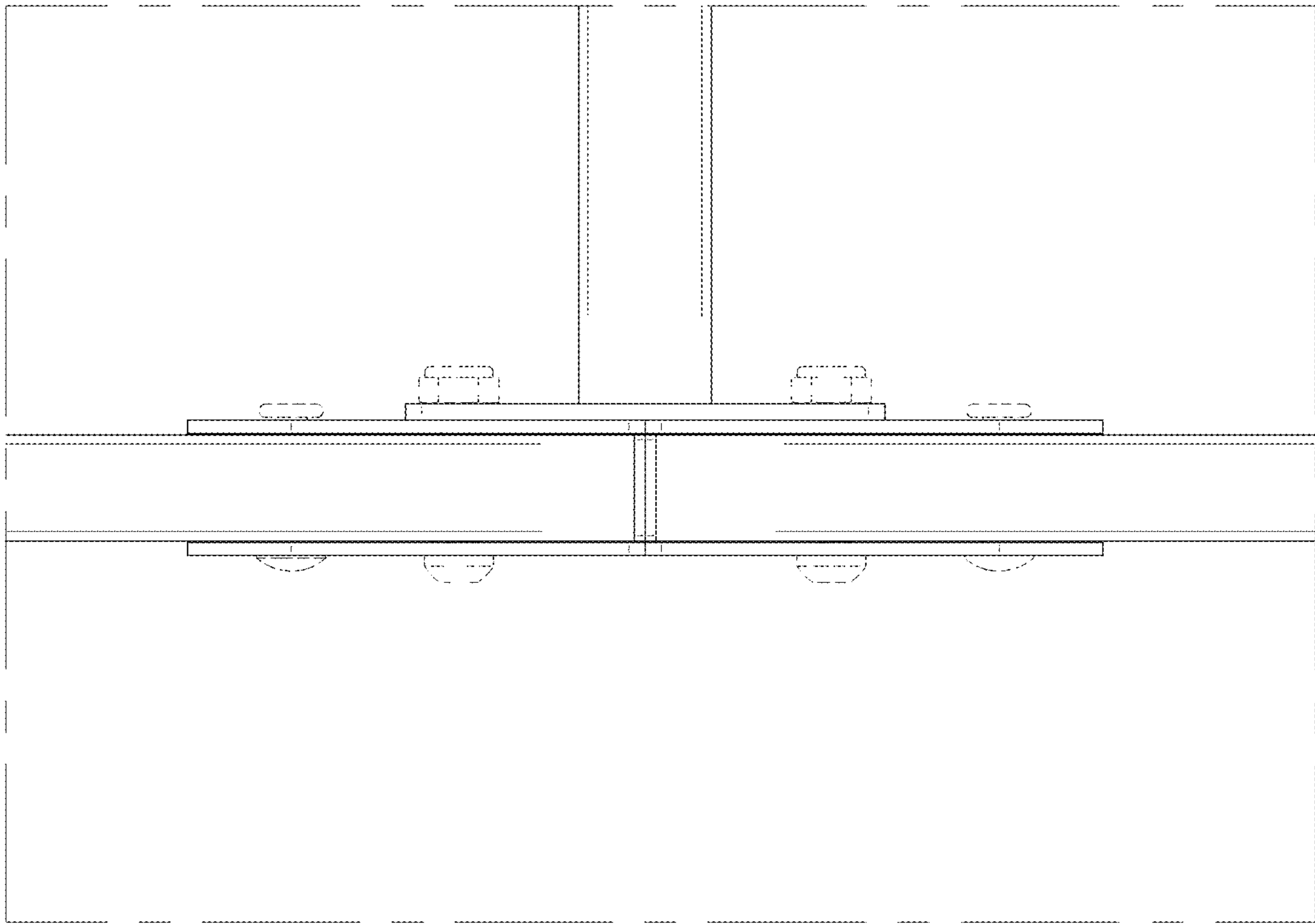


FIG. 12

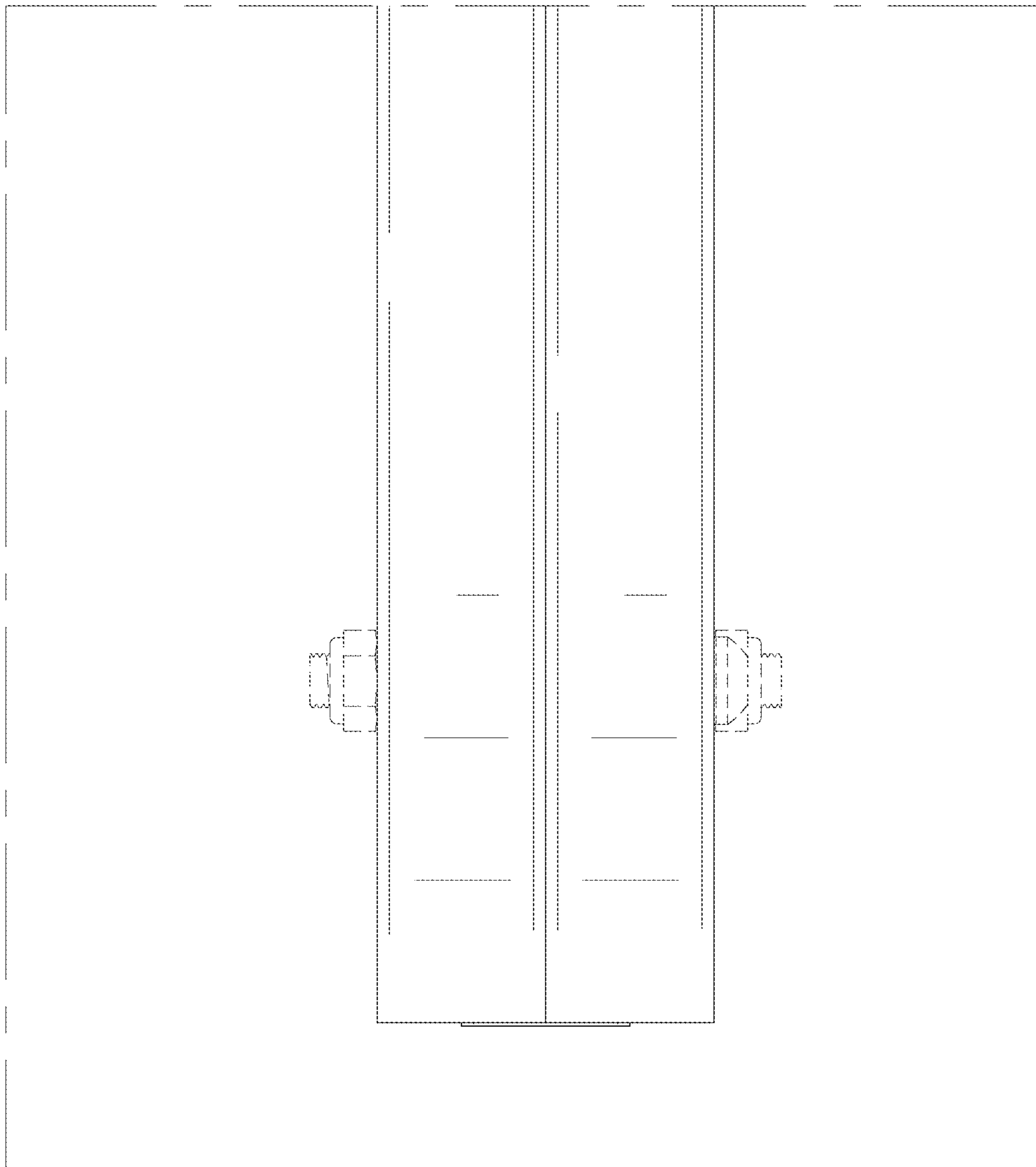


FIG. 13