



US00D885077S

(12) **United States Design Patent**
Kamler

(10) **Patent No.:** **US D885,077 S**

(45) **Date of Patent:** **** May 26, 2020**

(54) **BED FRAME**

(71) Applicant: **Reed Kamler**, San Francisco, CA (US)

(72) Inventor: **Reed Kamler**, San Francisco, CA (US)

(**) Term: **15 Years**

(21) Appl. No.: **29/682,187**

(22) Filed: **Mar. 1, 2019**

(51) **LOC (12) Cl.** **06-02**

(52) **U.S. Cl.**
USPC **D6/382**

(58) **Field of Classification Search**
USPC D6/382-384, 393-395, 709, 718
CPC A47C 19/00; A47C 19/005; A47C 19/021;
A47C 19/022; A47C 19/025; A47C
19/04; A47C 23/00; A47C 23/06; A47C
23/061; A47C 23/062; A47B 13/04
See application file for complete search history.

(56) **References Cited**

U.S. PATENT DOCUMENTS

2,203,780	A *	6/1940	Gatz	A47B 25/003 248/165
2,657,964	A *	11/1953	Watrous	A47B 13/06 108/157.17
4,300,455	A *	11/1981	Ornati	A47B 13/04 108/156
6,174,116	B1 *	1/2001	Brand	B60P 7/14 410/121
6,619,601	B1 *	9/2003	Vall	A47B 13/02 108/158.12
D488,938	S *	4/2004	DiPersia	D6/709
D657,150	S *	4/2012	Hughes	D6/361
D658,412	S *	5/2012	Hoyord	D6/716.1
8,359,985	B2 *	1/2013	Wangdak	A47B 47/042 108/158.12
9,556,605	B2 *	1/2017	Elliott	A63H 33/008

D810,458	S *	2/2018	Cartier	D6/384
10,362,879	B2 *	7/2019	Lee	A47C 19/005
D862,104	S *	10/2019	Suzuki	D6/383
D862,105	S *	10/2019	Liu	D6/393
2010/0093257	A1 *	4/2010	Elliott	A47C 4/03 446/478
2013/0111662	A1 *	5/2013	Hayek	A47C 19/04 5/236.1
2017/0065091	A1 *	3/2017	Rodgers	A47C 19/021
2017/0071355	A1 *	3/2017	Oh	A47C 19/005
2017/0238715	A1 *	8/2017	Choi	A47C 19/025
2018/0027977	A1 *	2/2018	Shelby	A47C 23/062
2019/0021508	A1 *	1/2019	Jewett	A47C 19/025

OTHER PUBLICATIONS

Tatami bed corner, Exotic Platform Beds, internet archive date Apr. 7, 2012, site visited Apr. 20, 2020, available online at https://web.archive.org/web/20120407094407/http://www.futonfavorite.com/tatami-rice-mats_8_102_163.html (Year: 2012).*

(Continued)

Primary Examiner — Cathron C Brooks

(74) *Attorney, Agent, or Firm* — Bateman IP

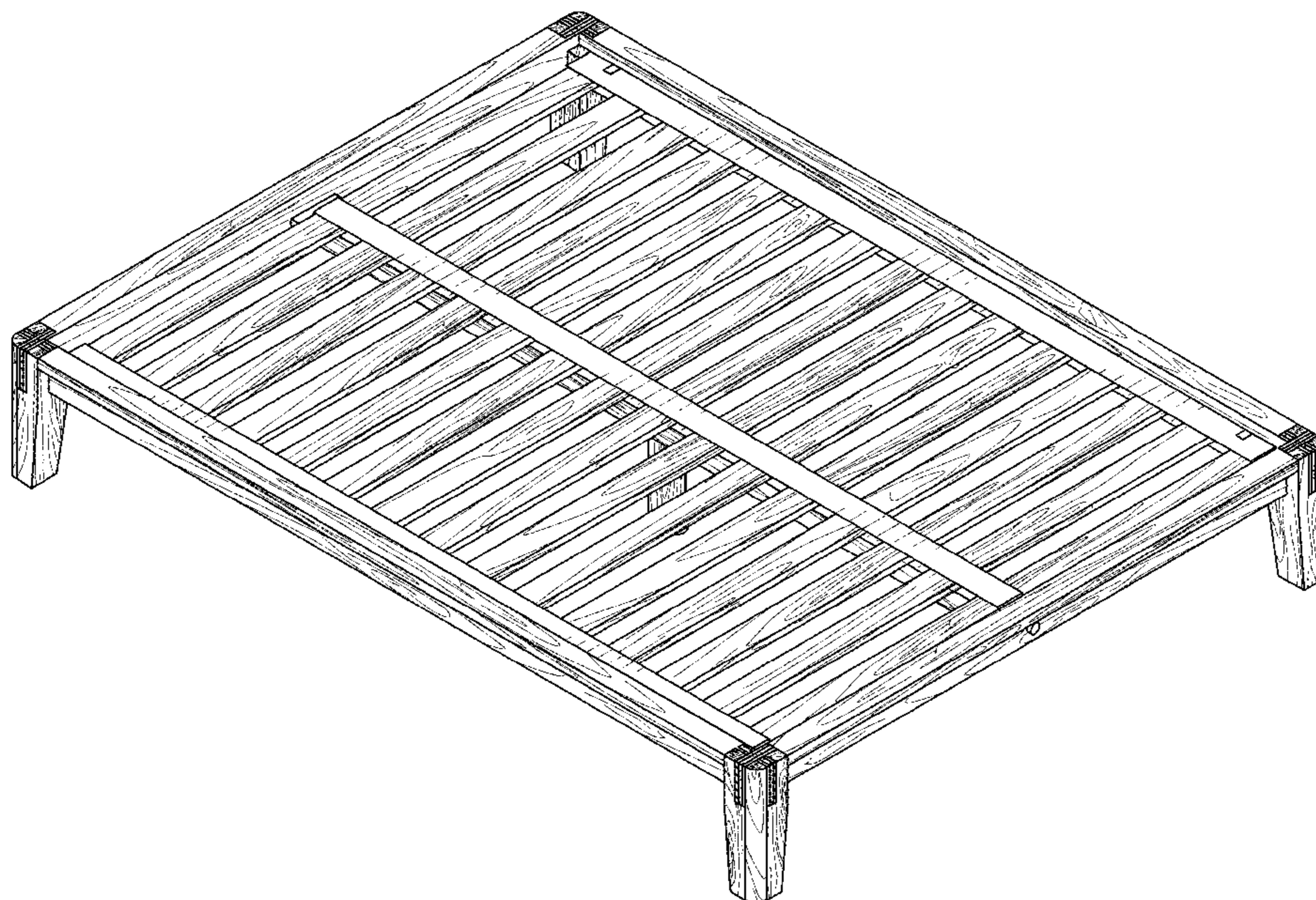
(57) **CLAIM**

I claim the ornamental design for a bed frame, as shown and described.

DESCRIPTION

FIG. 1 is a front perspective view of a bed frame showing my new design;
FIG. 2 is a front side view thereof;
FIG. 3 is a rear side view thereof;
FIG. 4 is a right side view thereof;
FIG. 5 is a left side view thereof;
FIG. 6 is a top plan view thereof; and,
FIG. 7 is a bottom plan view thereof.

1 Claim, 5 Drawing Sheets



(56)

References Cited

OTHER PUBLICATIONS

DIY Tatami Style Platform Bed, Spunjinworks, Aug. 15, 2014, site visited, Apr. 20, 2020, available online at <https://spunjinworks.com/2014/08/15/tatami-style-platform-bed/> (Year: 2014).*

Tatami Platform Bed Frame, Tatami Room, internet archive date Nov. 16, 2016, site visited Dec. 10, 2019, available online at https://web.archive.org/web/20161116173318/http://www.tatamiroom.com/cgi-local/catalog.pl?category=PLATFORM_BEDS-10&show=detail&item=TB (Year: 2016).*

Raku Japanese Style Tatami Platform Bed, amazon.com, internet archive date Jun. 22, 2015, site visited Apr. 6, 2020, available online at <https://web.archive.org/web/20150622005028/https://www.amazon.com/Japanese-Style-Tatami-Platform-Honey/dp/B00N19RUQO> (Year: 2015).*

Baltic Birch Japanese Tatami Bed, lumberjocks.com, Sep. 6, 2017, site visited Apr. 7, 2020, available online at <https://www.lumberjocks.com/projects/336361> (Year: 2017).*

www.tatamiroom.com/cgi-local/catalog.pl?category+PLATOFORM_BEDS, Jan. 14, 2018.

* cited by examiner

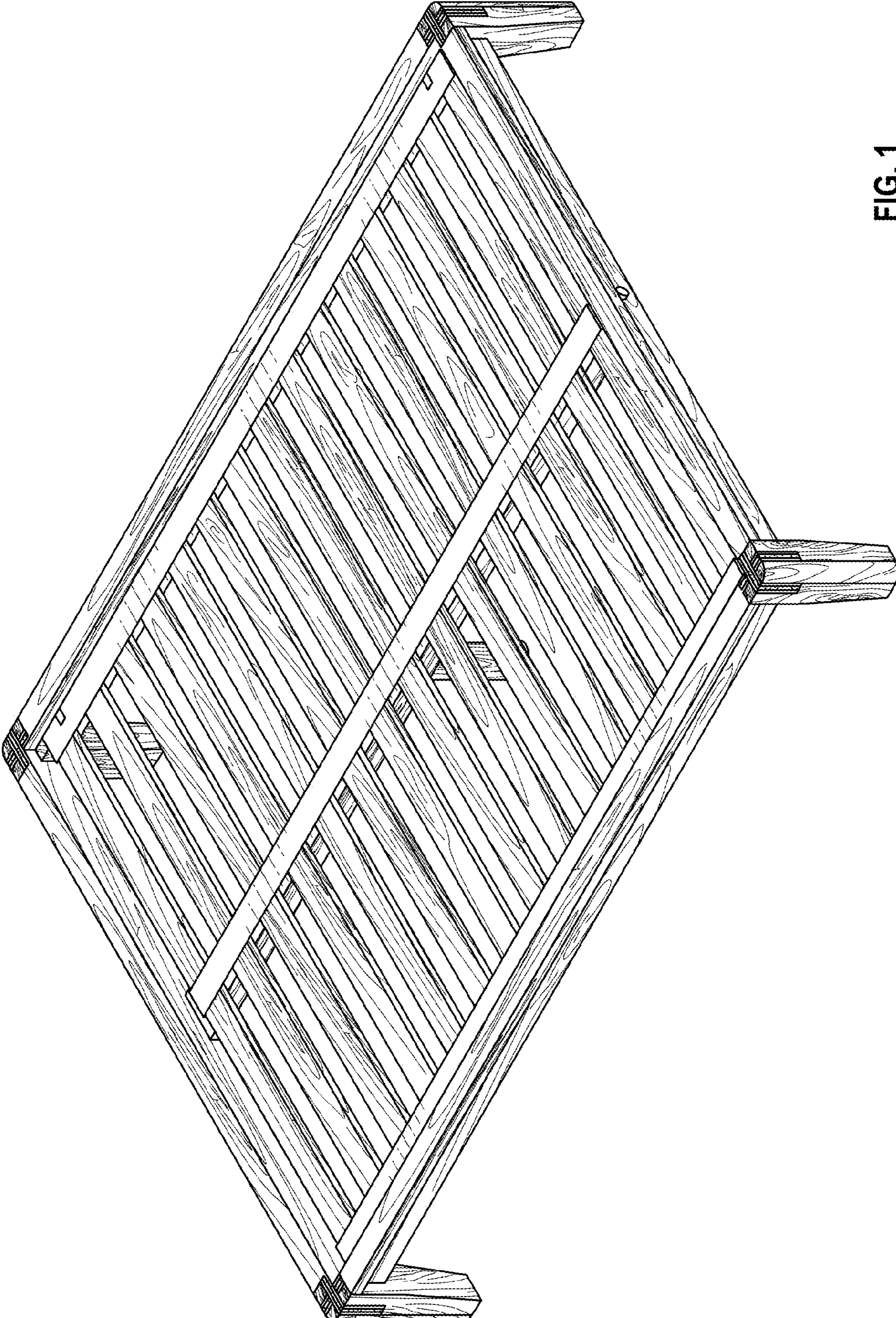


FIG. 1

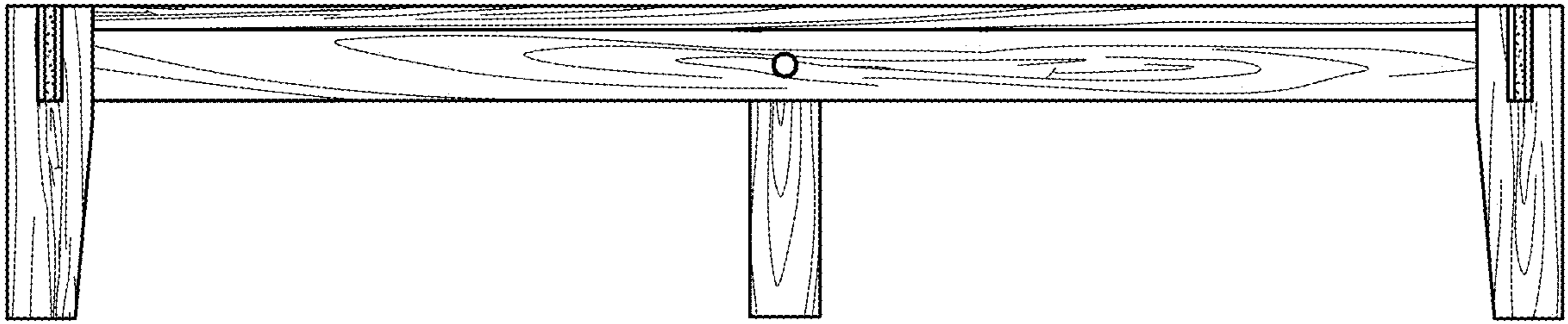


FIG. 2

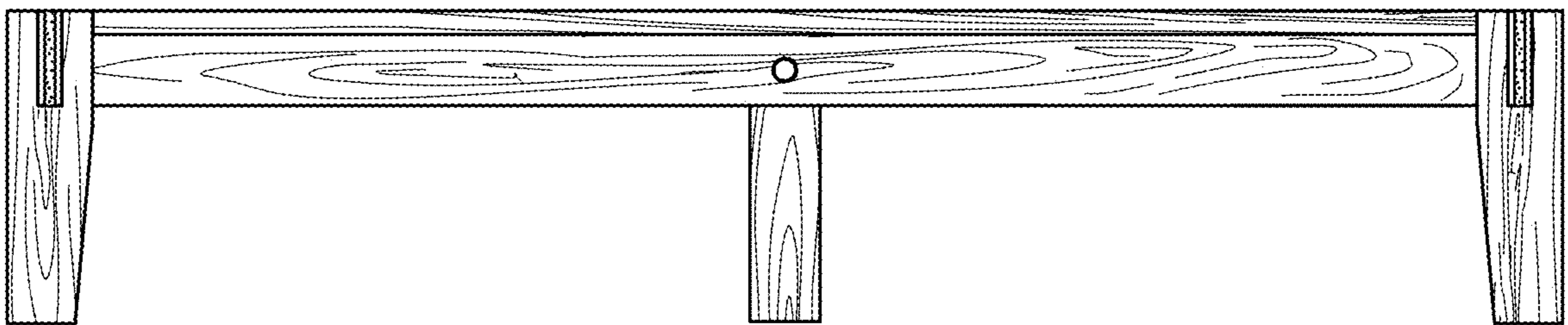


FIG. 3

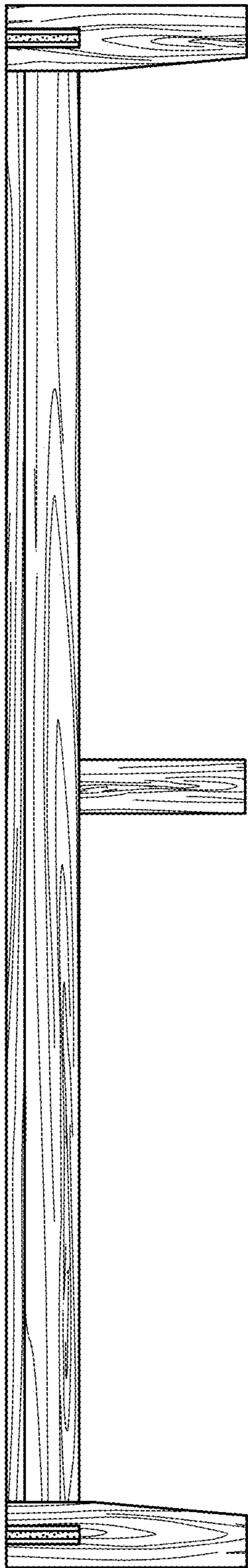


FIG. 4

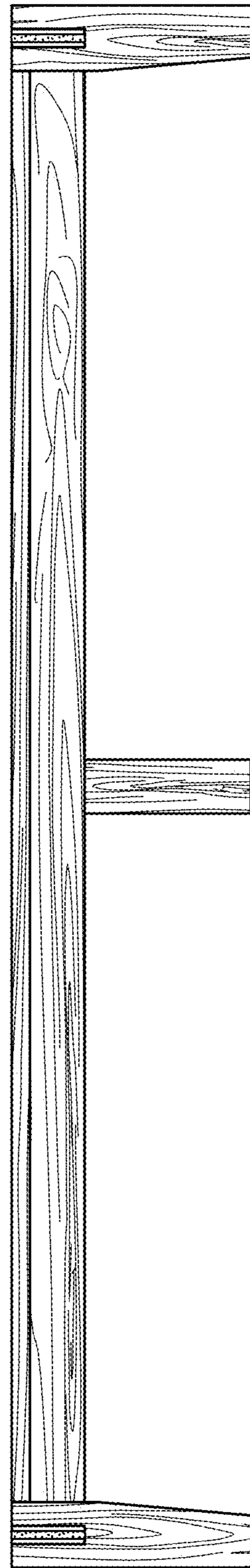


FIG. 5

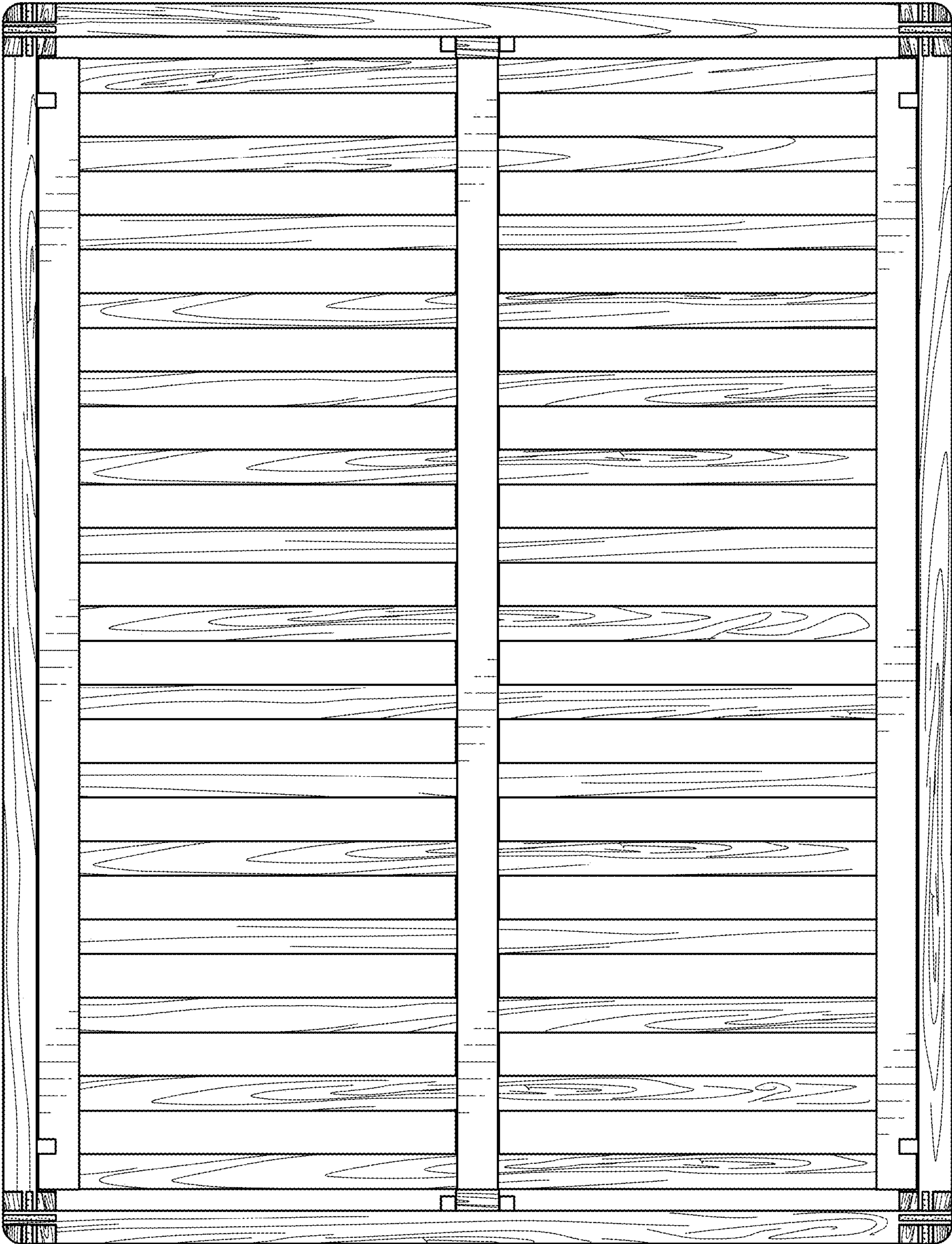


FIG. 6

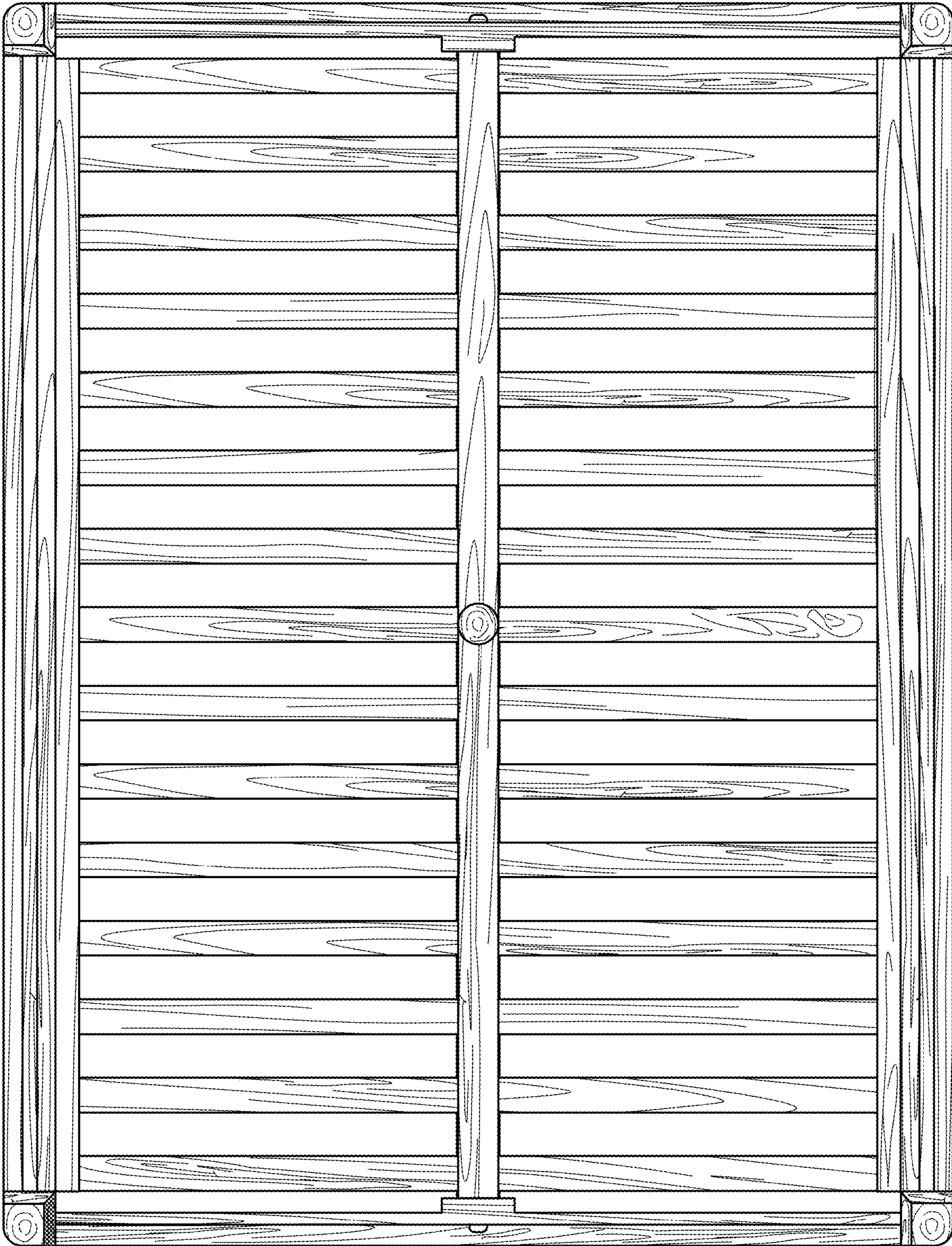


FIG. 7