



US00D885076S

(12) **United States Design Patent**
Lissoni

(10) **Patent No.:** **US D885,076 S**
(45) **Date of Patent:** **** May 26, 2020**

(54) **SOFA COMPONENT**

(71) Applicant: **Knoll, Inc.**, East Greenville, PA (US)
(72) Inventor: **Piero Lissoni**, East Greenville, PA (US)
(73) Assignee: **KNOLL, INC.**, East Greenville, PA (US)
(**) Term: **15 Years**
(21) Appl. No.: **29/692,875**

(22) Filed: **May 29, 2019**

Related U.S. Application Data

(62) Division of application No. 29/619,601, filed on Sep. 29, 2017, now Pat. No. Des. 850,137.

(30) **Foreign Application Priority Data**

Mar. 31, 2017 (EP) 003833995-0014
Mar. 31, 2017 (EP) 003833995-0015
Mar. 31, 2017 (EP) 003833995-0016
Mar. 31, 2017 (EP) 003833995-0017
Mar. 31, 2017 (EP) 003833995-0018

(51) **LOC (12) Cl.** **06-01**

(52) **U.S. Cl.**
USPC **D6/378**

(58) **Field of Classification Search**
USPC D6/334, 335, 336, 341, 360, 361, 364,
D6/365, 366, 367, 368, 369, 371, 372,
D6/373, 374, 375, 376, 377, 378, 381
CPC A47C 1/00; A47C 13/00; A47C 13/005;
A47C 15/002

See application file for complete search history.

(56) **References Cited**

U.S. PATENT DOCUMENTS

D240,481 S 7/1976 Fister, Jr.
D265,443 S 7/1982 Webb

D310,452 S 9/1990 Hopfer
D311,283 S 10/1990 Warren
D336,172 S 6/1993 Gibson
D403,171 S 12/1998 Gibson
D416,704 S 11/1999 Mourgue
D431,381 S 10/2000 Gomez
D454,441 S * 3/2002 Bermudez D6/335
D467,090 S * 12/2002 Bauchet D6/381
D487,998 S * 4/2004 Natuzzi D6/335
D518,302 S 4/2006 Tapinassi et al.
D580,670 S 11/2008 Weiss
D656,327 S 3/2012 Metcalf et al.
D785,356 S * 5/2017 Massaud D6/371

(Continued)

Primary Examiner — Deanna L Pratt

(74) *Attorney, Agent, or Firm* — The Belles Group, P.C.

(57) **CLAIM**

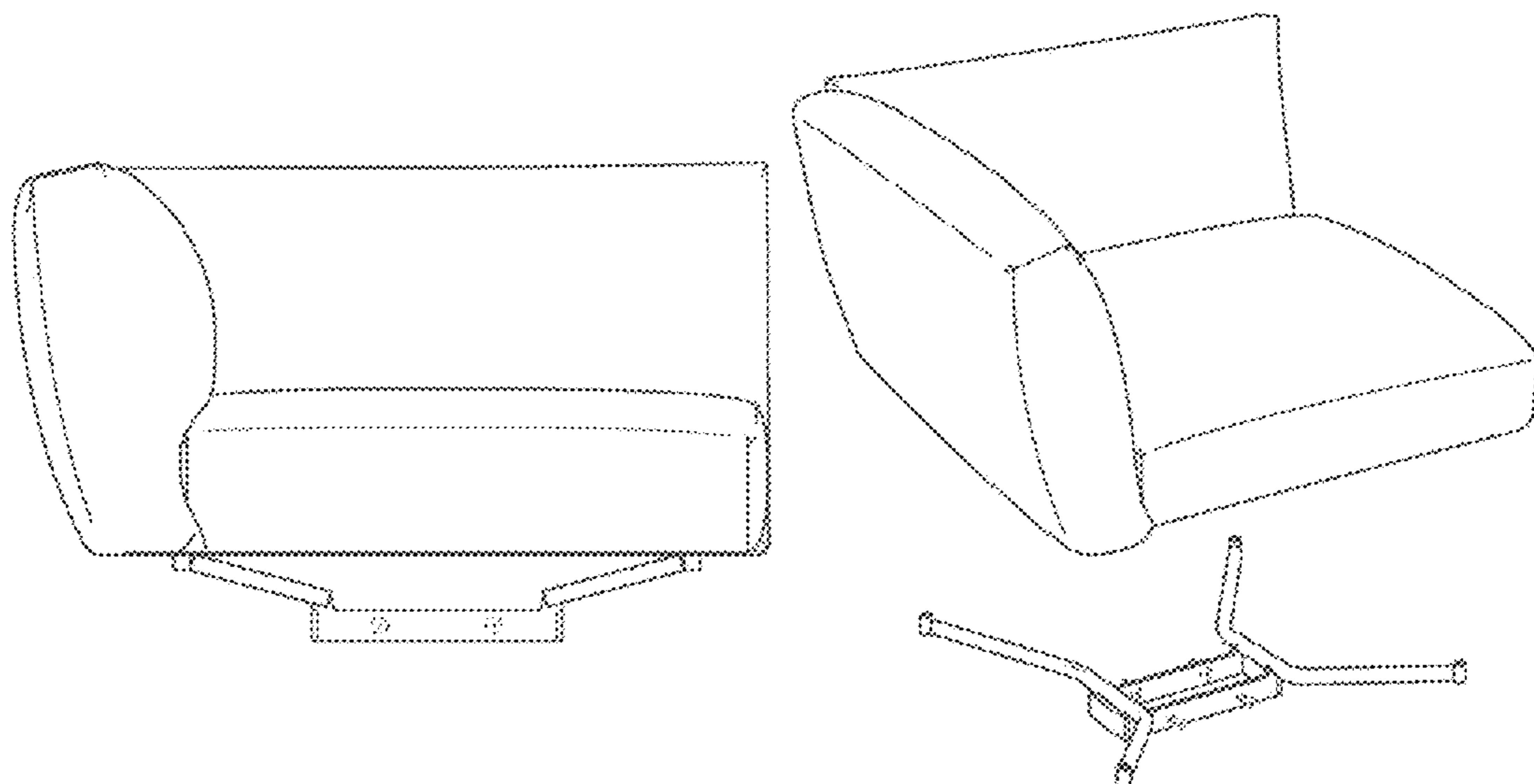
The ornamental design for a sofa component, as shown and described.

DESCRIPTION

FIG. 1 is a front elevational view of a sofa component in accordance with a first embodiment of the present design; FIG. 2 is a rear elevational view thereof; FIG. 3 is an exploded perspective view thereof; FIG. 4 is a top plan view thereof; FIG. 5 is a bottom plan view thereof; FIG. 6 is a side elevational view thereof; FIG. 7 is a front elevational view of a sofa component in accordance with a second embodiment of the present design; FIG. 8 is a rear elevational view thereof; FIG. 9 is a top plan view thereof; FIG. 10 is a bottom plan view thereof; FIG. 11 is an exploded perspective view thereof; and, FIG. 12 is a side elevational view thereof.

The broken lines in the drawings illustrate portions of the sofa component that form no part of the claimed design.

1 Claim, 12 Drawing Sheets



(56)

References Cited

U.S. PATENT DOCUMENTS

D809,316 S * 2/2018 Rockwell D6/381
D849,427 S * 5/2019 Lissoni D6/336
D850,137 S * 6/2019 Lissoni D6/377

* cited by examiner

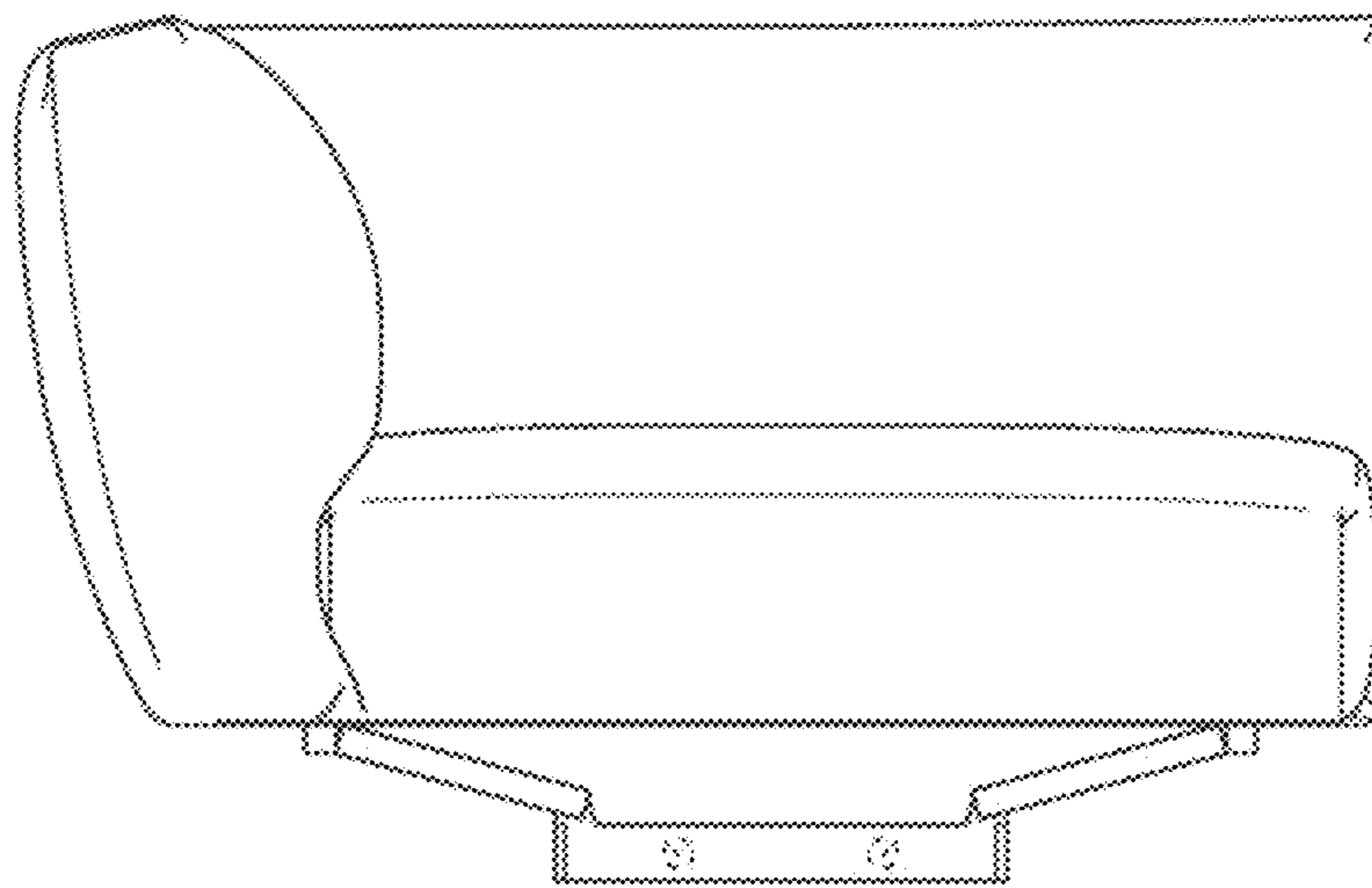


FIG. 1

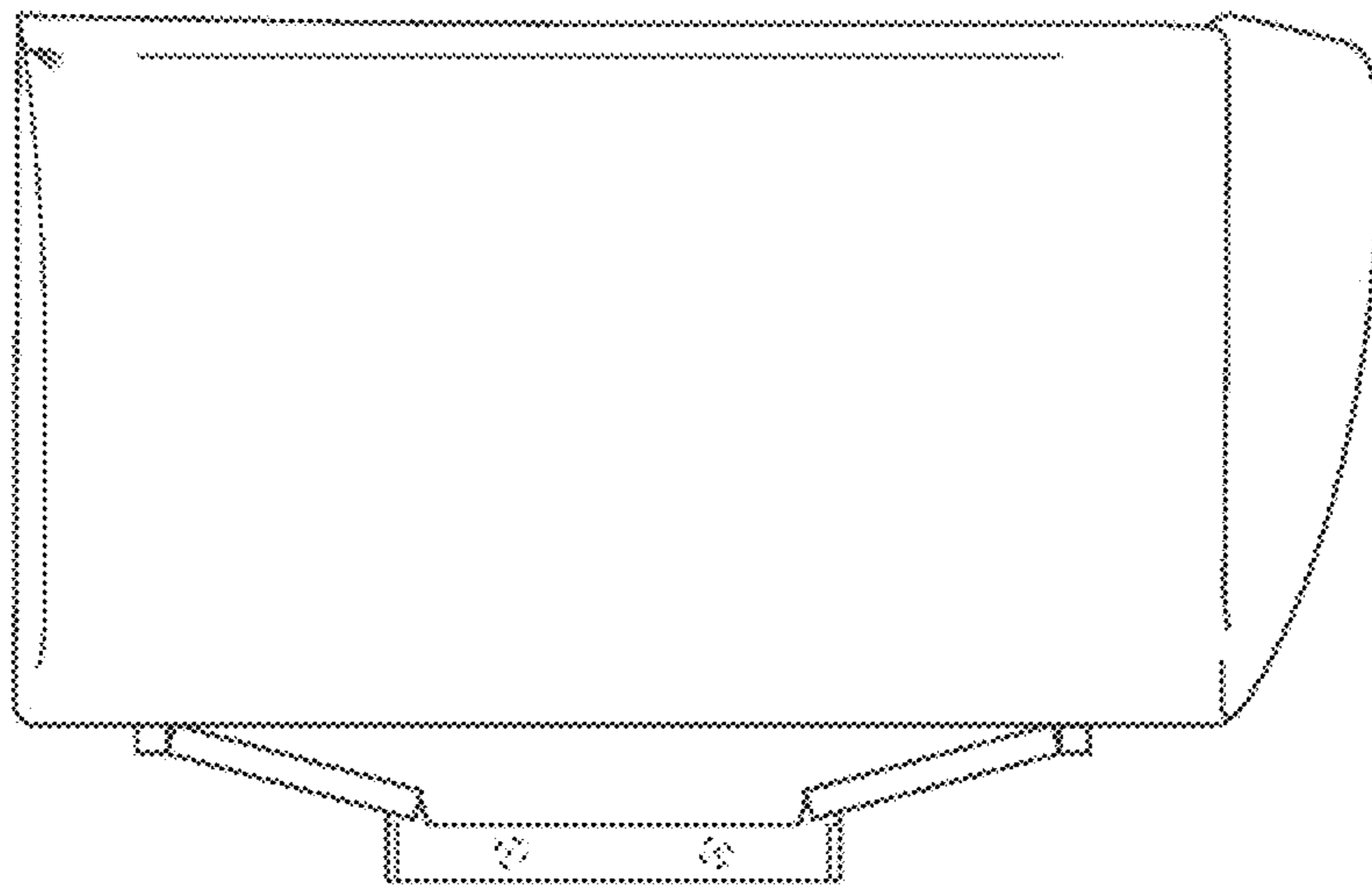


FIG. 2

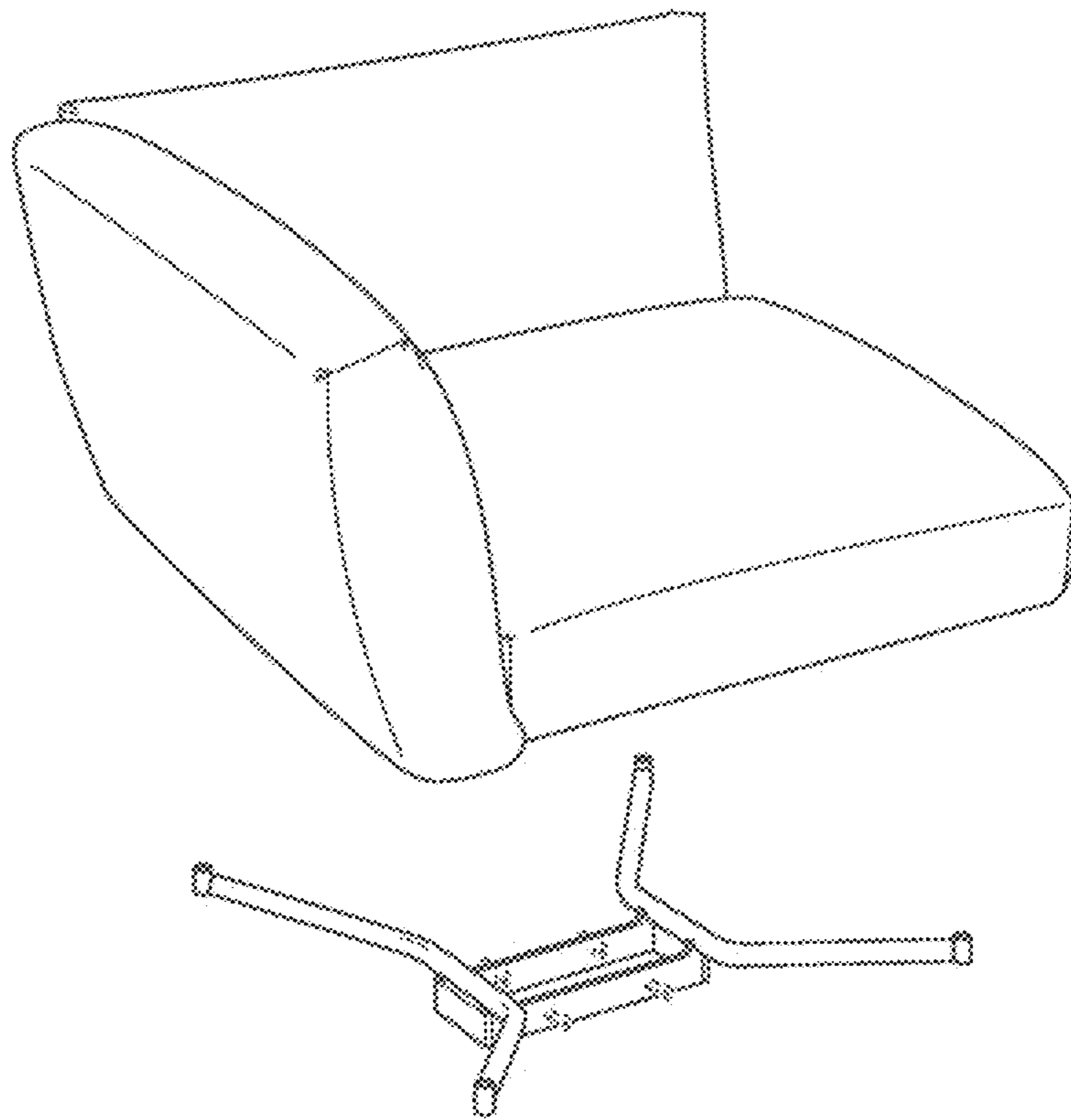


FIG. 3

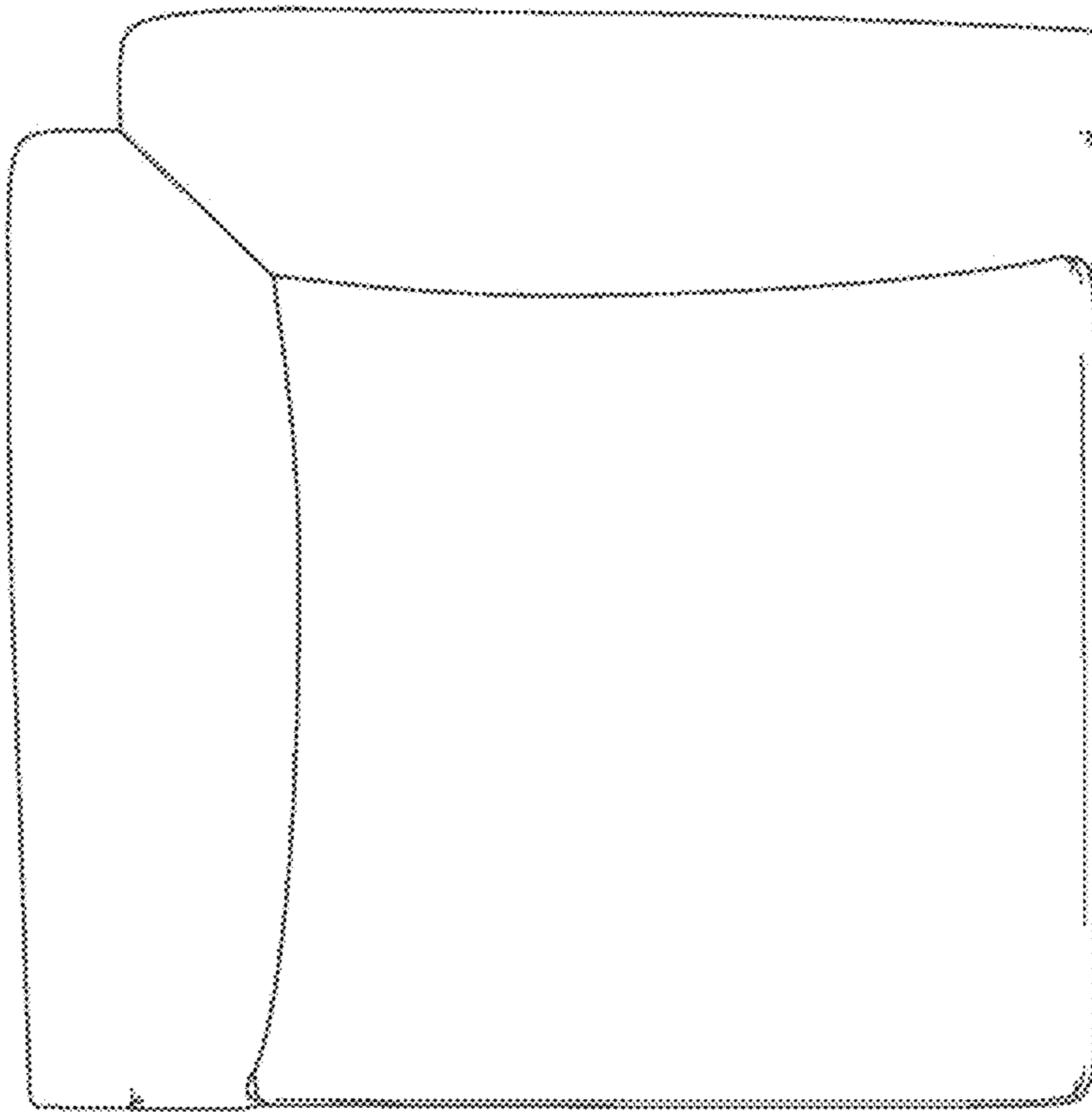


FIG. 4

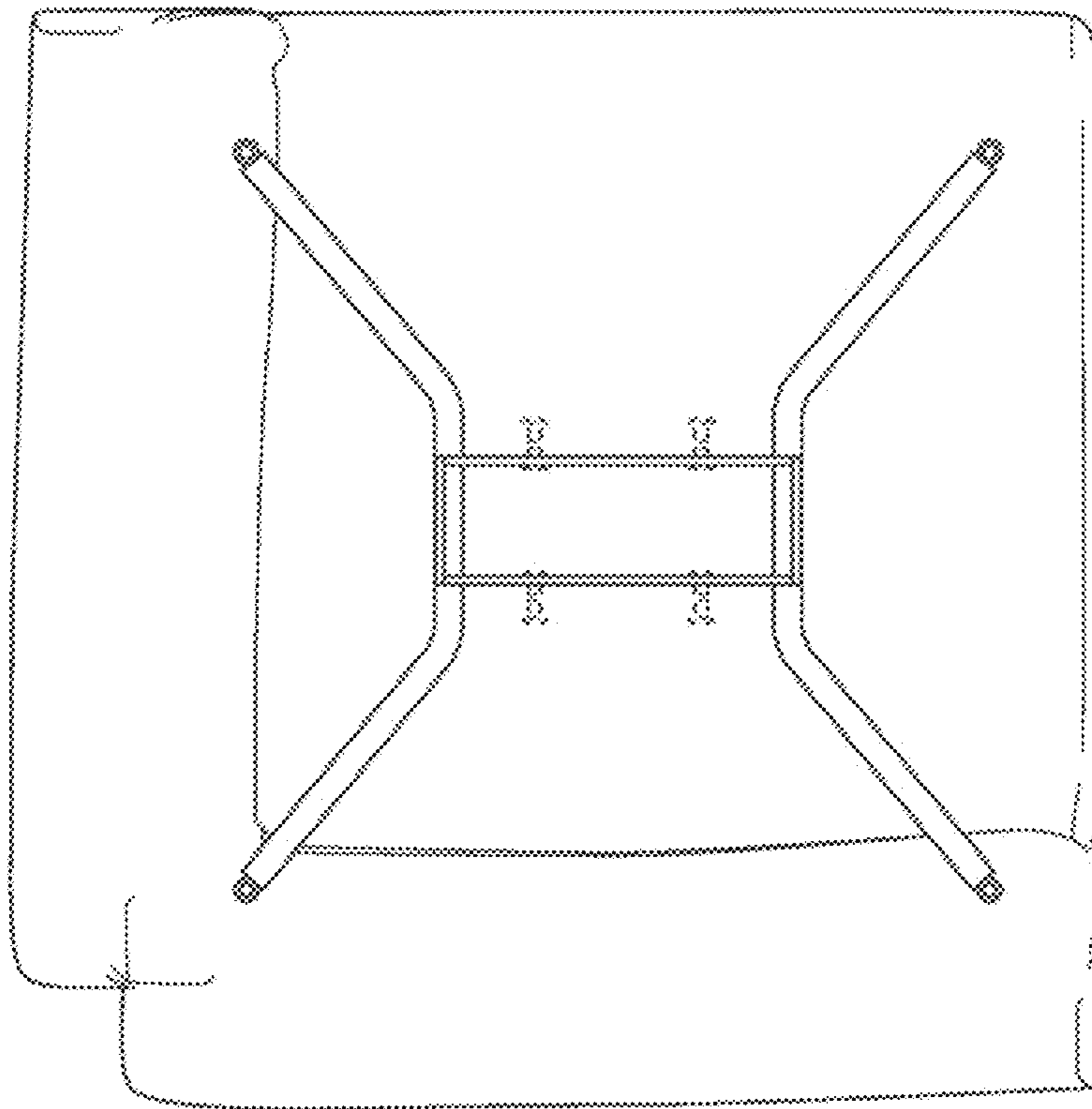


FIG. 5

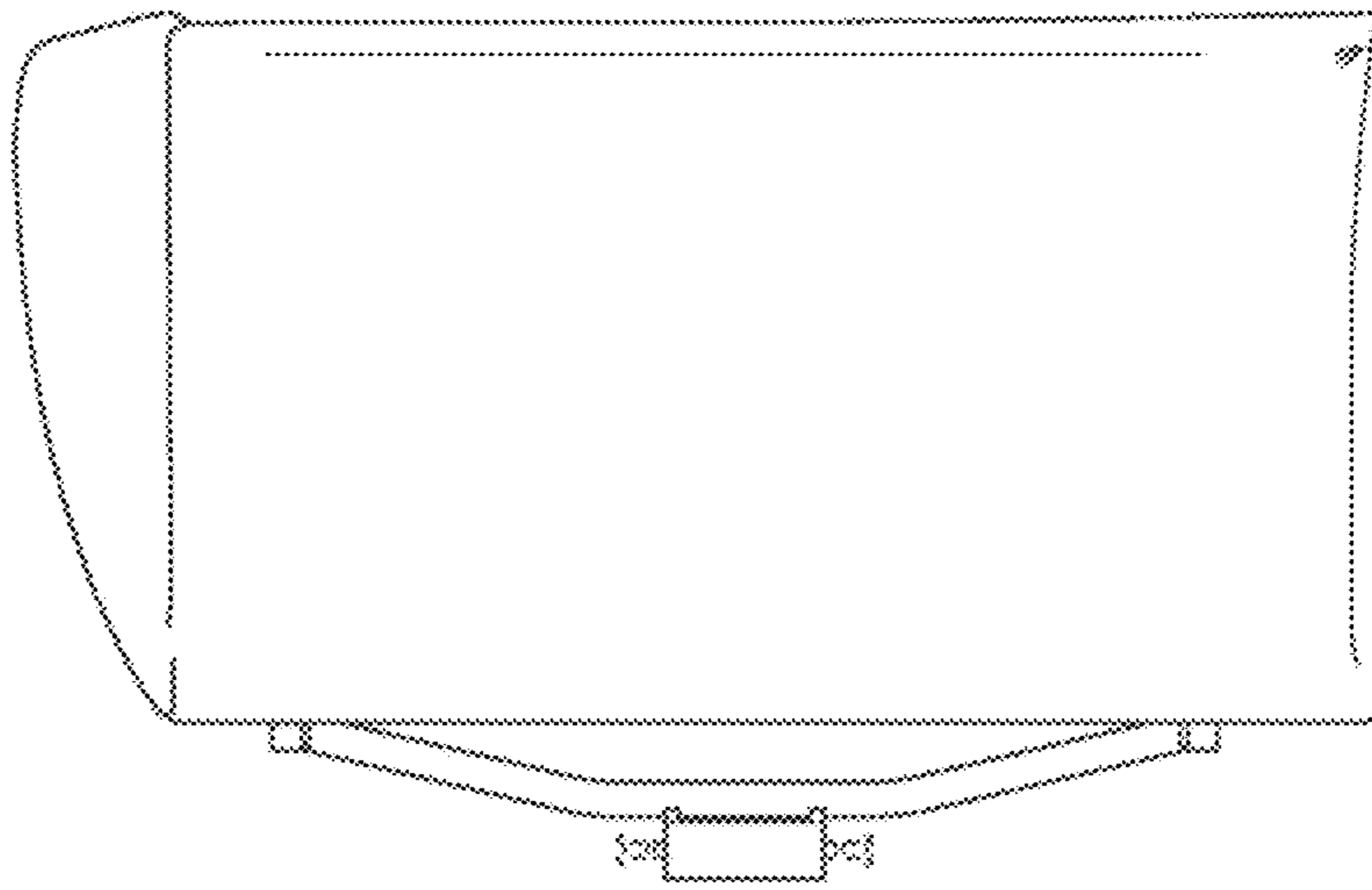


FIG. 6

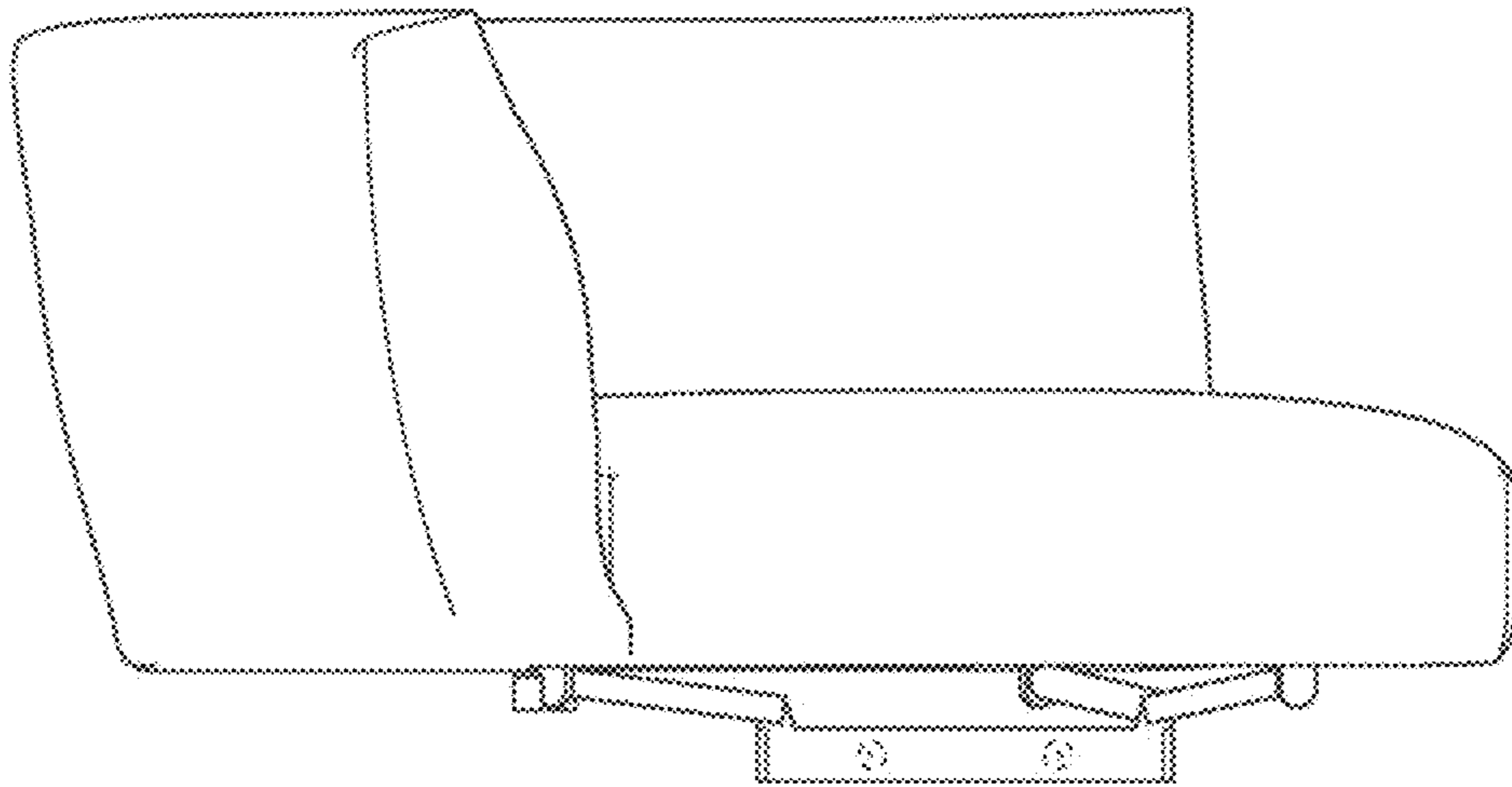


FIG. 7

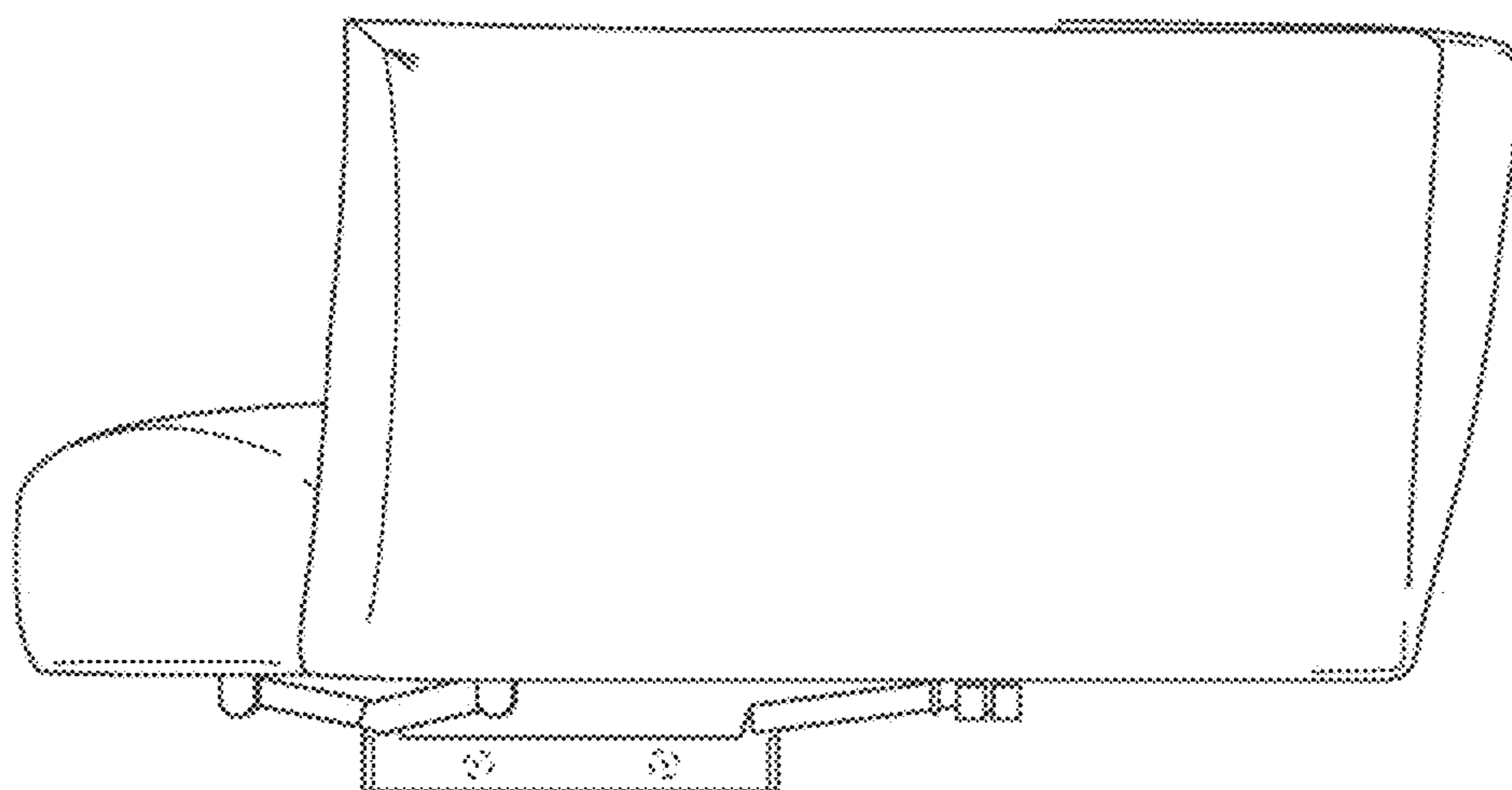


FIG. 8

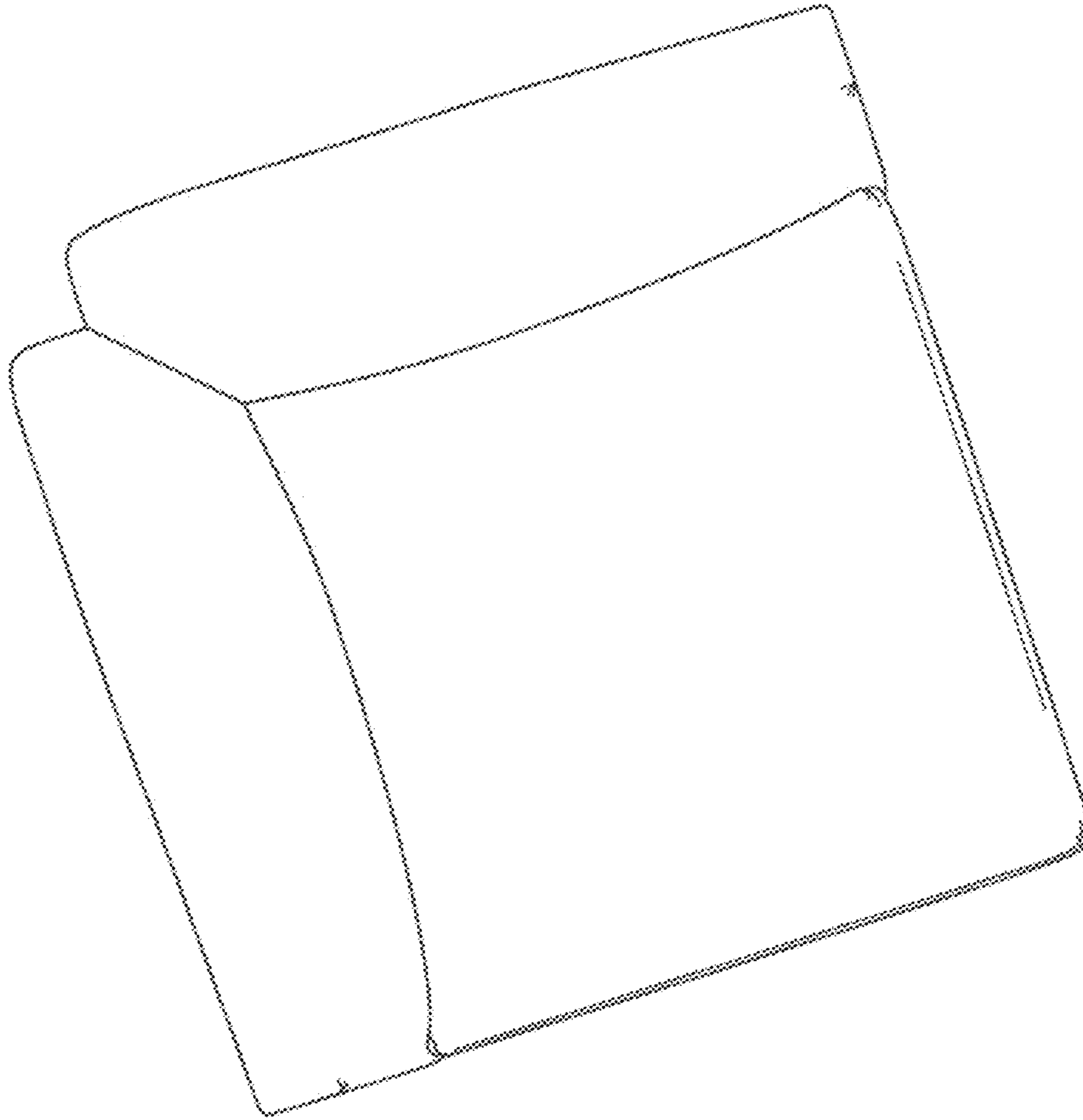


FIG. 9

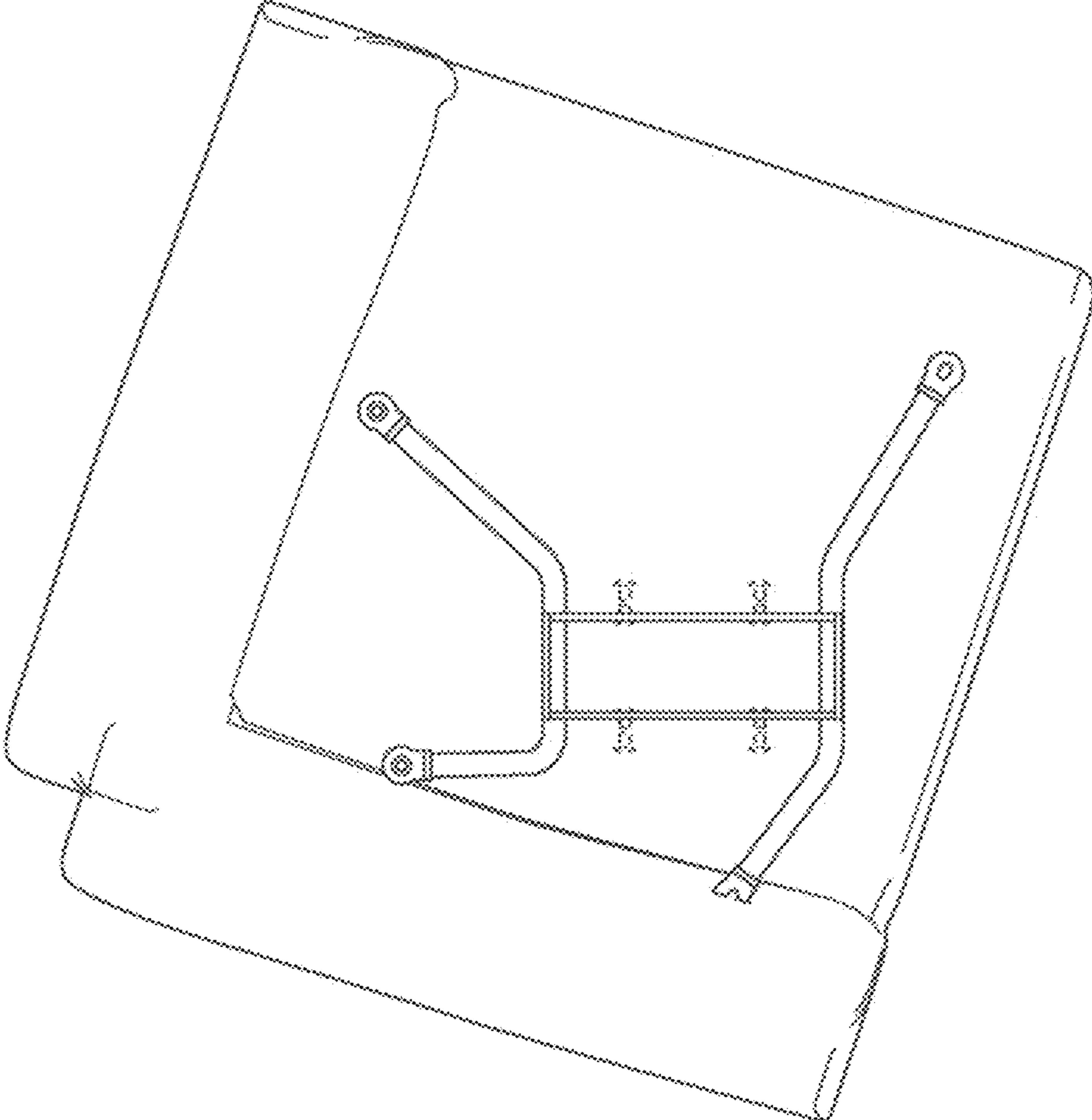


FIG. 10

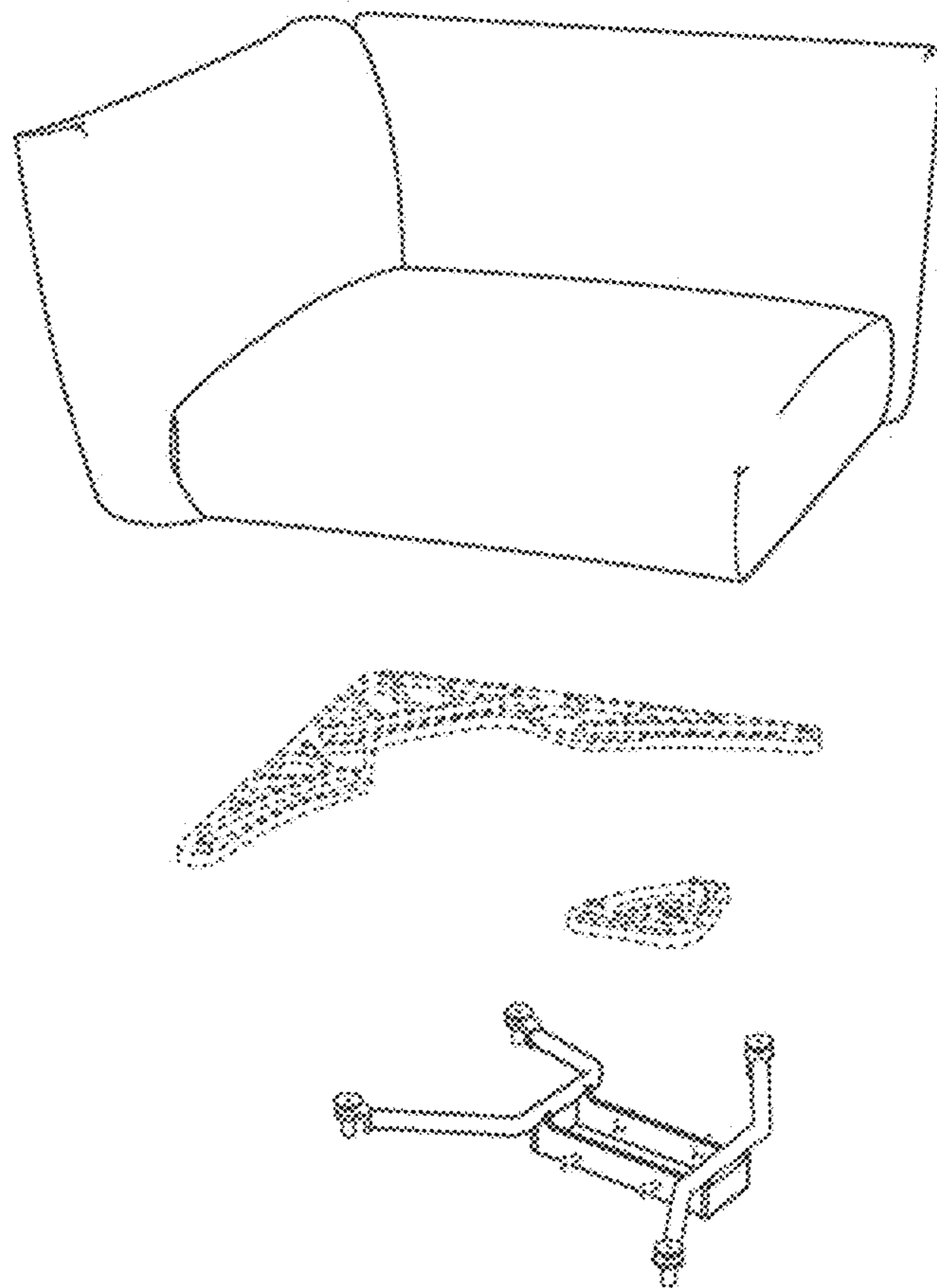


FIG. 11

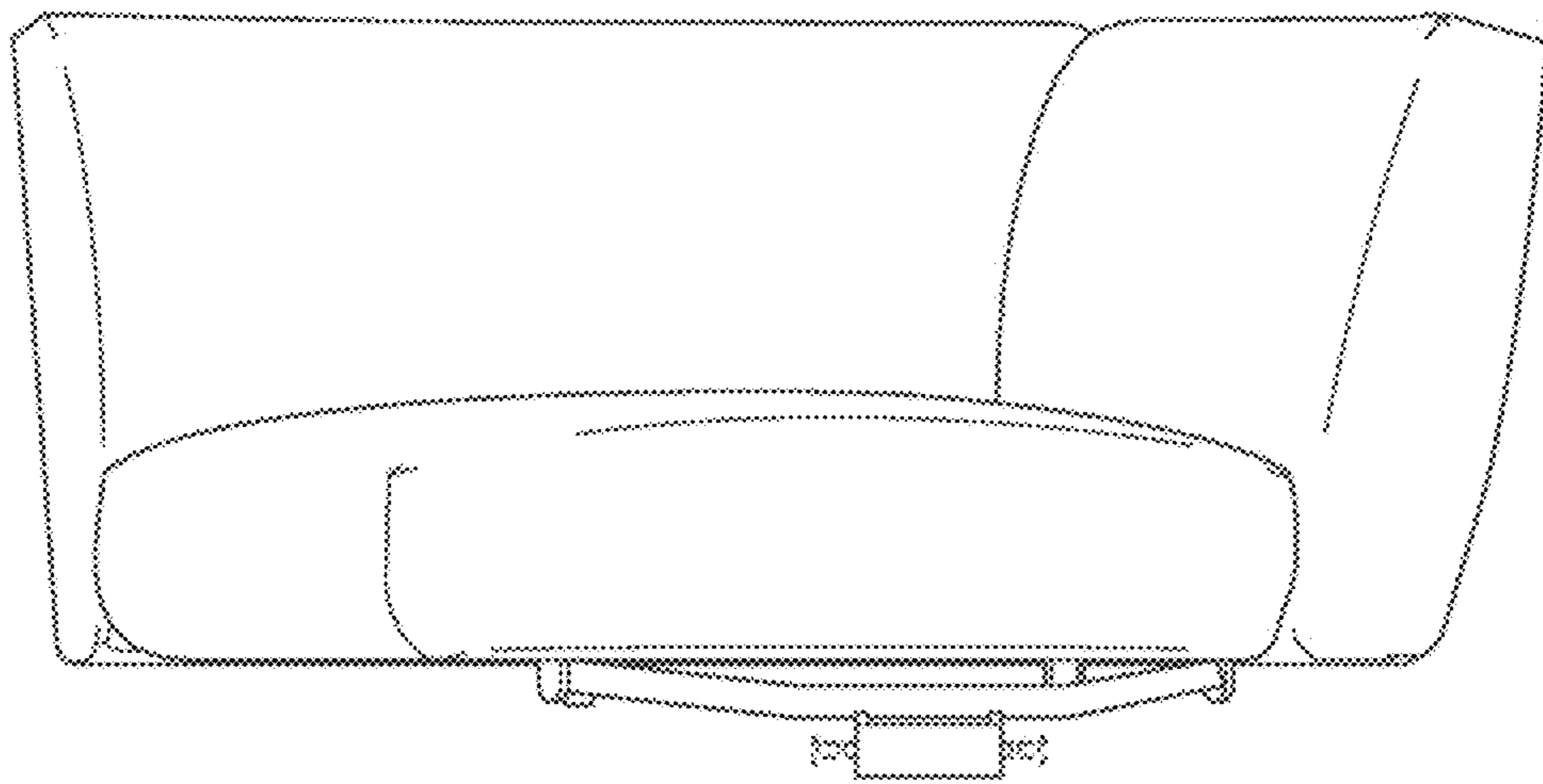


FIG. 12