



US00D885074S

(12) **United States Design Patent**
Huo

(10) **Patent No.:** **US D885,074 S**

(45) **Date of Patent:** **** May 26, 2020**

(54) **SEAT BOARD**

(71) Applicant: **Foshan Lianrun Furniture Co. Ltd,**
Foshan, Guangdong Province (CN)

(72) Inventor: **Runzhong Huo,** Foshan (CN)

(73) Assignee: **Foshan Lianrun Furniture Co. Ltd,**
Foshan (CN)

(**) Term: **15 Years**

(21) Appl. No.: **29/692,330**

(22) Filed: **May 24, 2019**

(30) **Foreign Application Priority Data**

Nov. 30, 2018 (CN) 2018 3 0688042

(51) **LOC (12) Cl.** **06-01**

(52) **U.S. Cl.**
USPC **D6/375**

(58) **Field of Classification Search**
USPC D6/334, 349, 369, 374-376, 379-382,
D6/711, 708.16, 716.1

CPC A47C 3/04; A47C 3/12; A47C 5/04; A47C
5/12; A47C 5/14; A47C 7/02; A47C 7/16;
A47C 7/18; A47C 7/24; A47C 11/00;
A47C 15/002; A47C 17/02

See application file for complete search history.

(56) **References Cited**

U.S. PATENT DOCUMENTS

2,294,164 A * 8/1942 Eberle A47K 3/122
4/561.1
D230,444 S * 2/1974 Kogoj D6/361

D438,398 S * 3/2001 Frinier D6/375
D470,320 S * 2/2003 Schloss D6/375
D539,553 S * 4/2007 Jimenez M. D6/361
D601,828 S * 10/2009 Wold D6/716
D618,005 S * 6/2010 Heltemes D6/375
D642,395 S * 8/2011 Bladh D6/372
D668,470 S * 10/2012 Eicke D6/375
D742,133 S * 11/2015 Sneve D6/375
D819,998 S * 6/2018 Siebert D6/372

FOREIGN PATENT DOCUMENTS

WO WO-2011011815 A1 * 2/2011 A47C 7/62

* cited by examiner

Primary Examiner — R. Johnson

(74) *Attorney, Agent, or Firm* — Williams Mullen;
Thomas F. Bergert

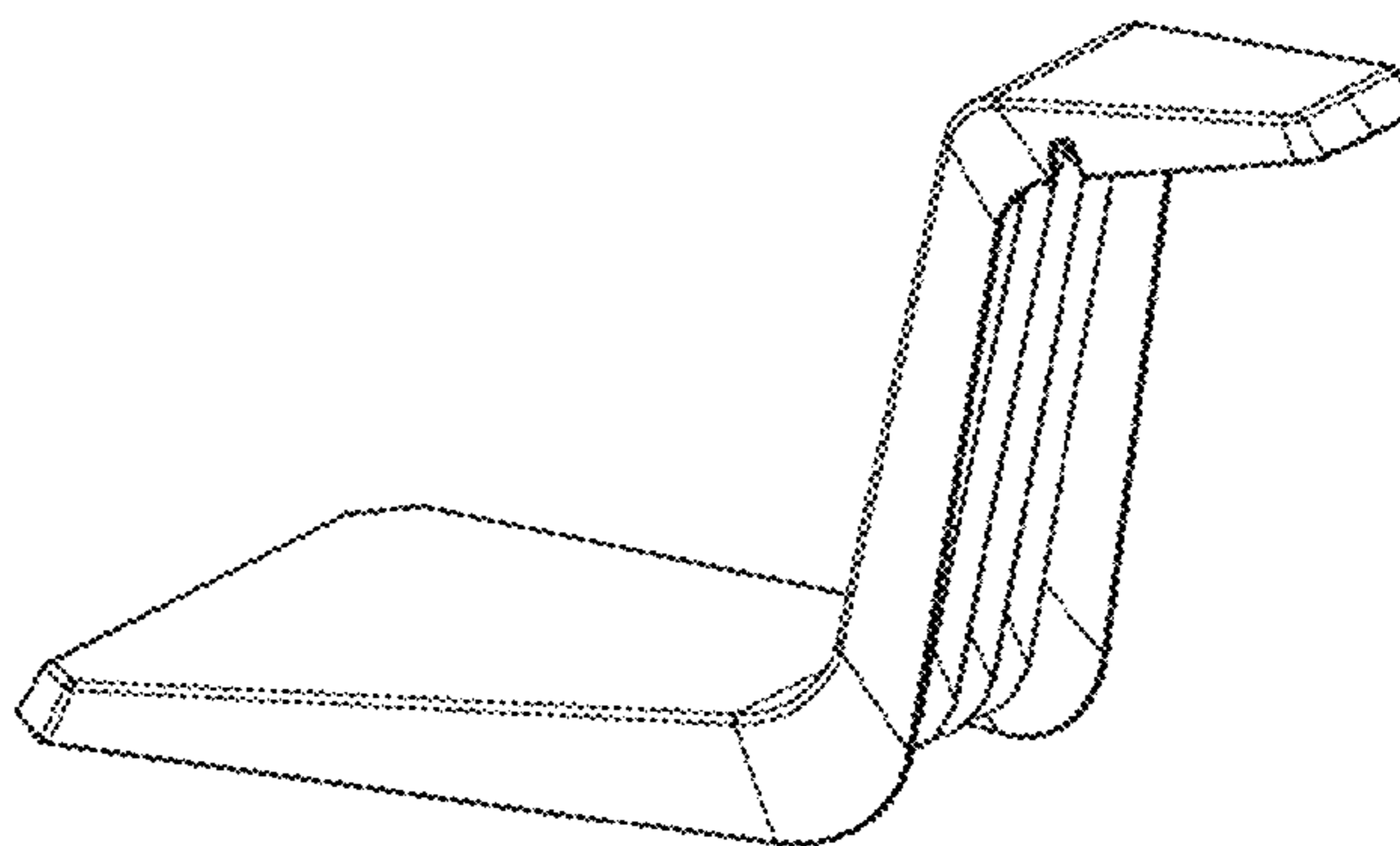
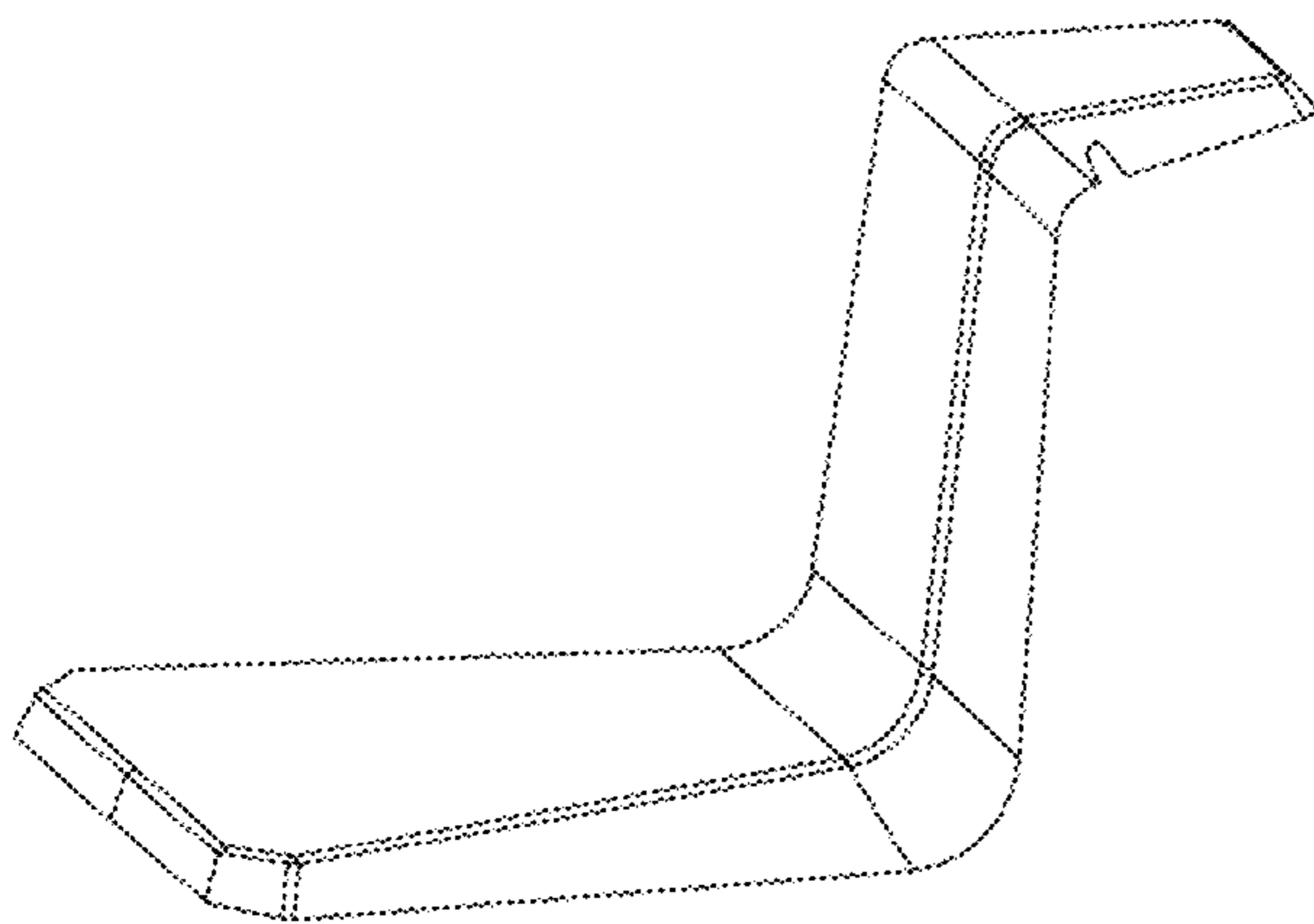
(57) **CLAIM**

The ornamental design for a seat board, as shown and described.

DESCRIPTION

FIG. 1 is a perspective view of a seat board according to the new design;
FIG. 2 is another perspective view;
FIG. 3 is a front view thereof;
FIG. 4 is a rear view thereof;
FIG. 5 is a left side view thereof;
FIG. 6 is a right side view thereof;
FIG. 7 is a top view thereof; and,
FIG. 8 is a bottom view thereof.

1 Claim, 4 Drawing Sheets



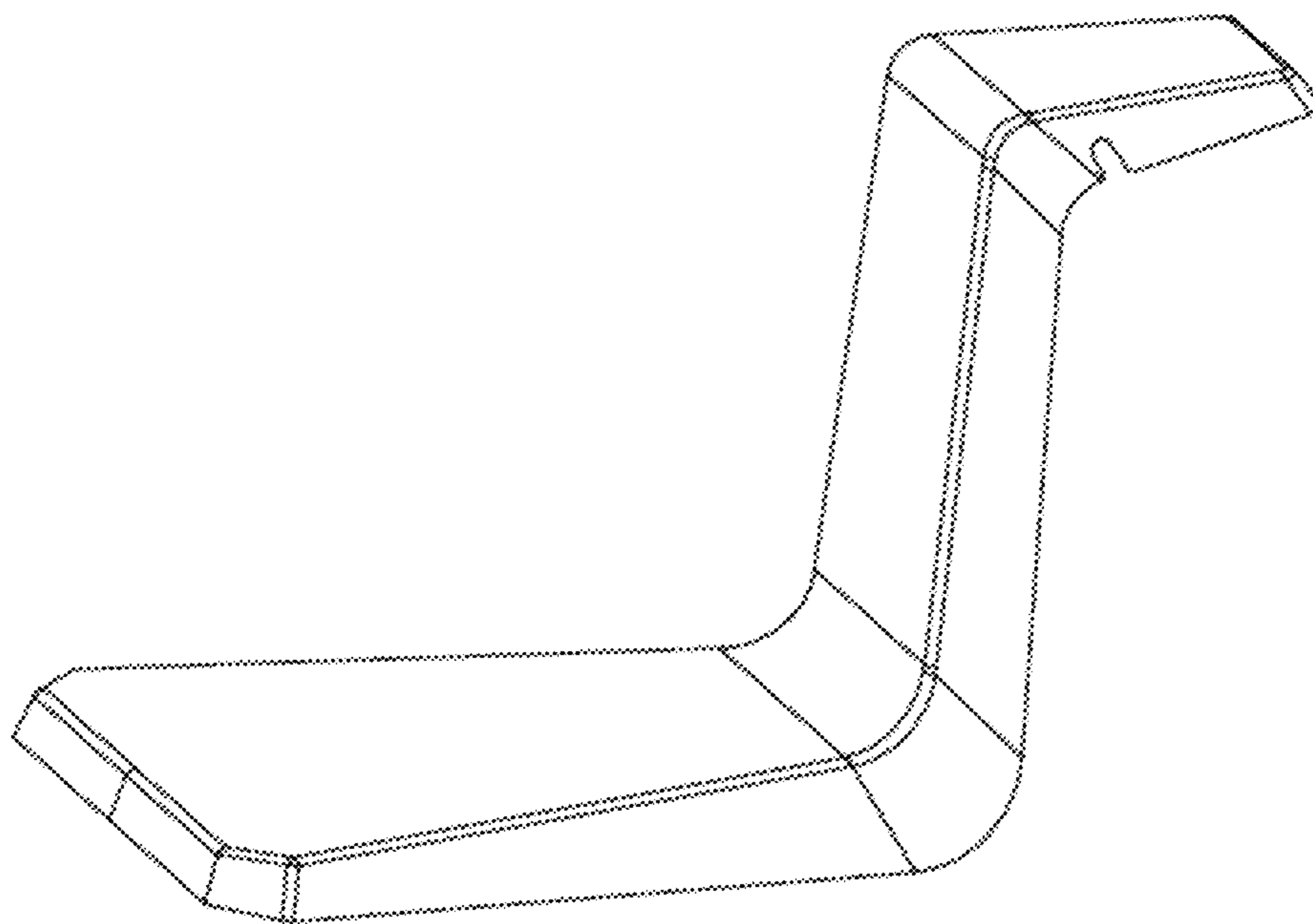


FIG. 1

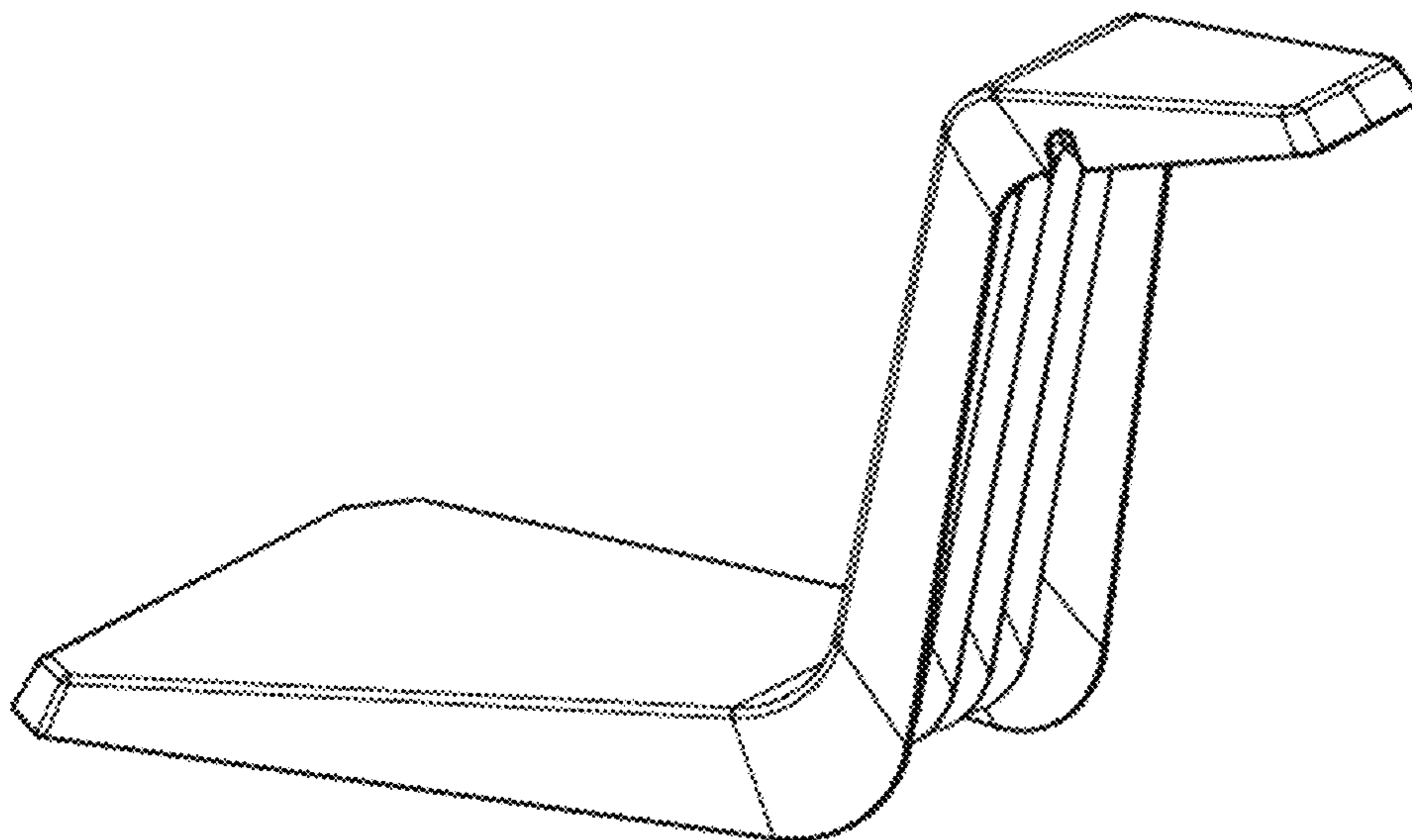


FIG. 2

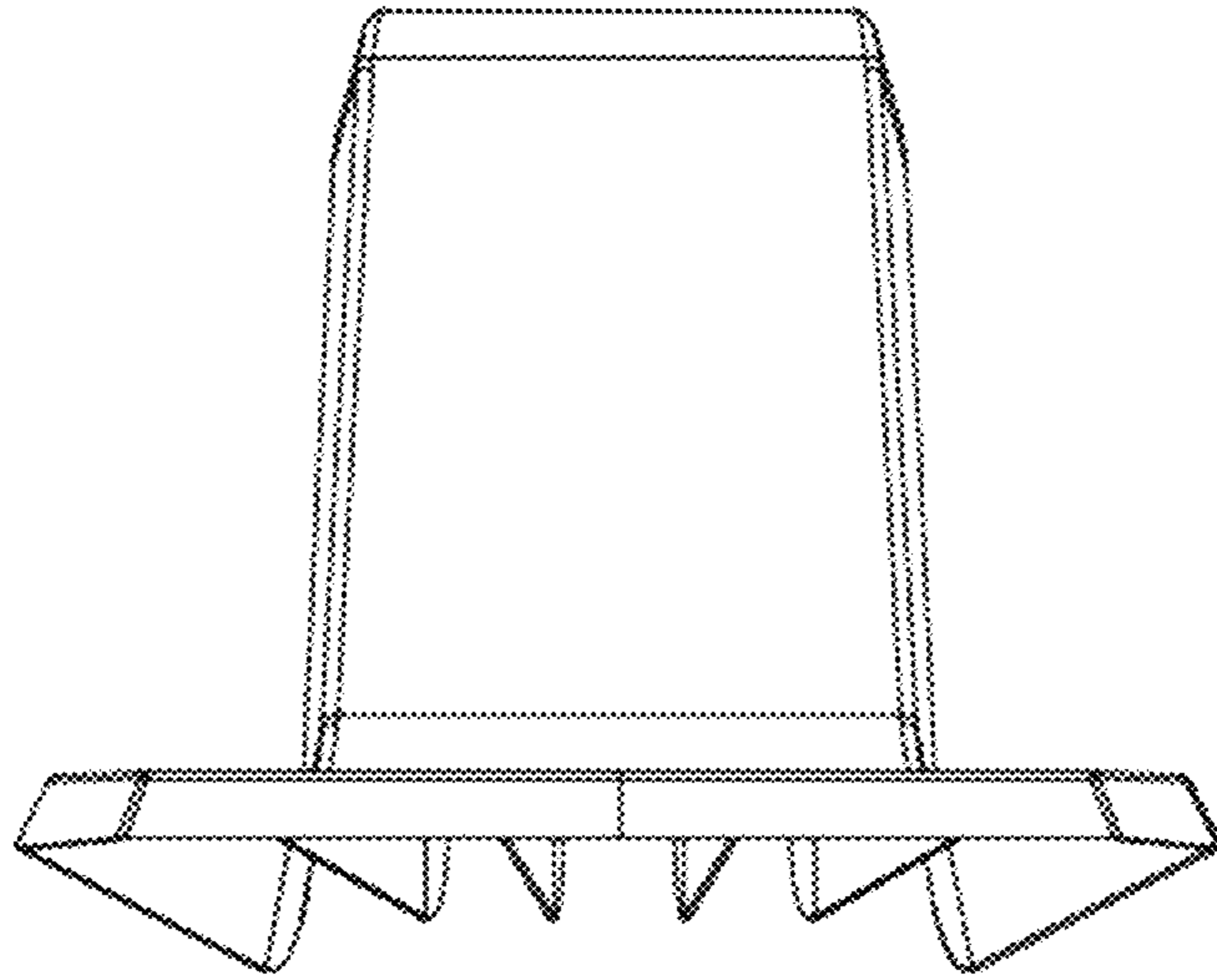


FIG. 3

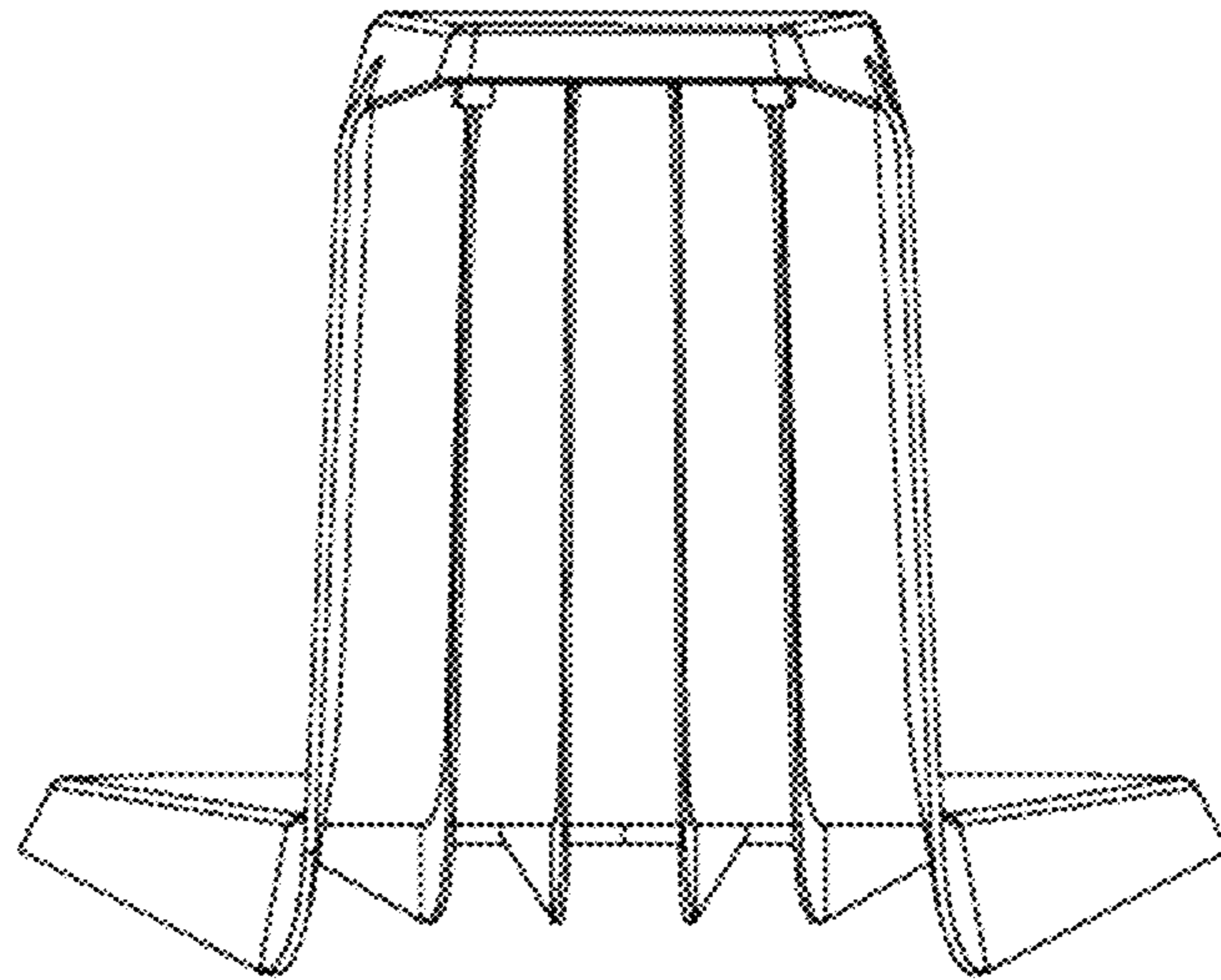


FIG. 4

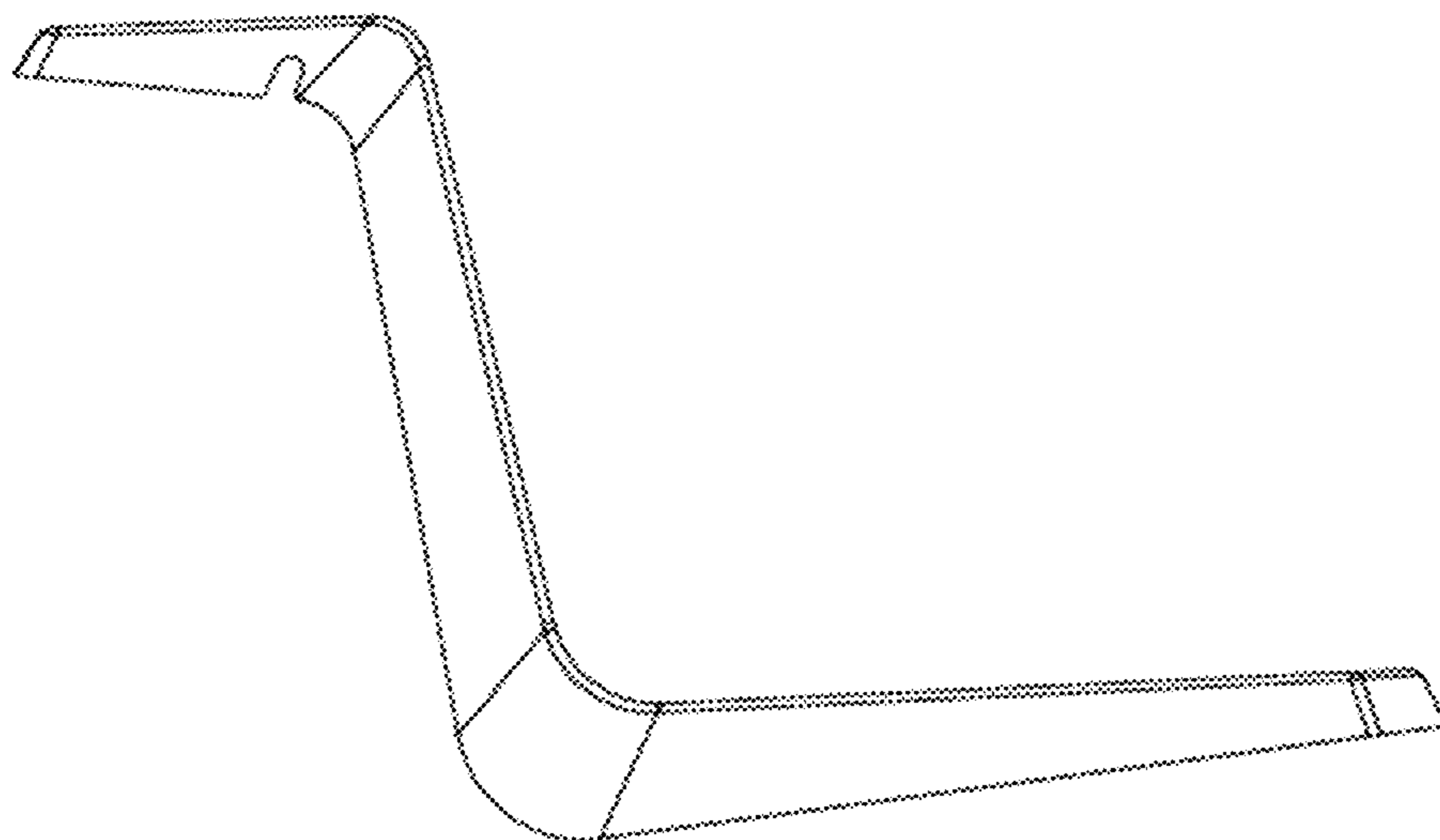


FIG. 5

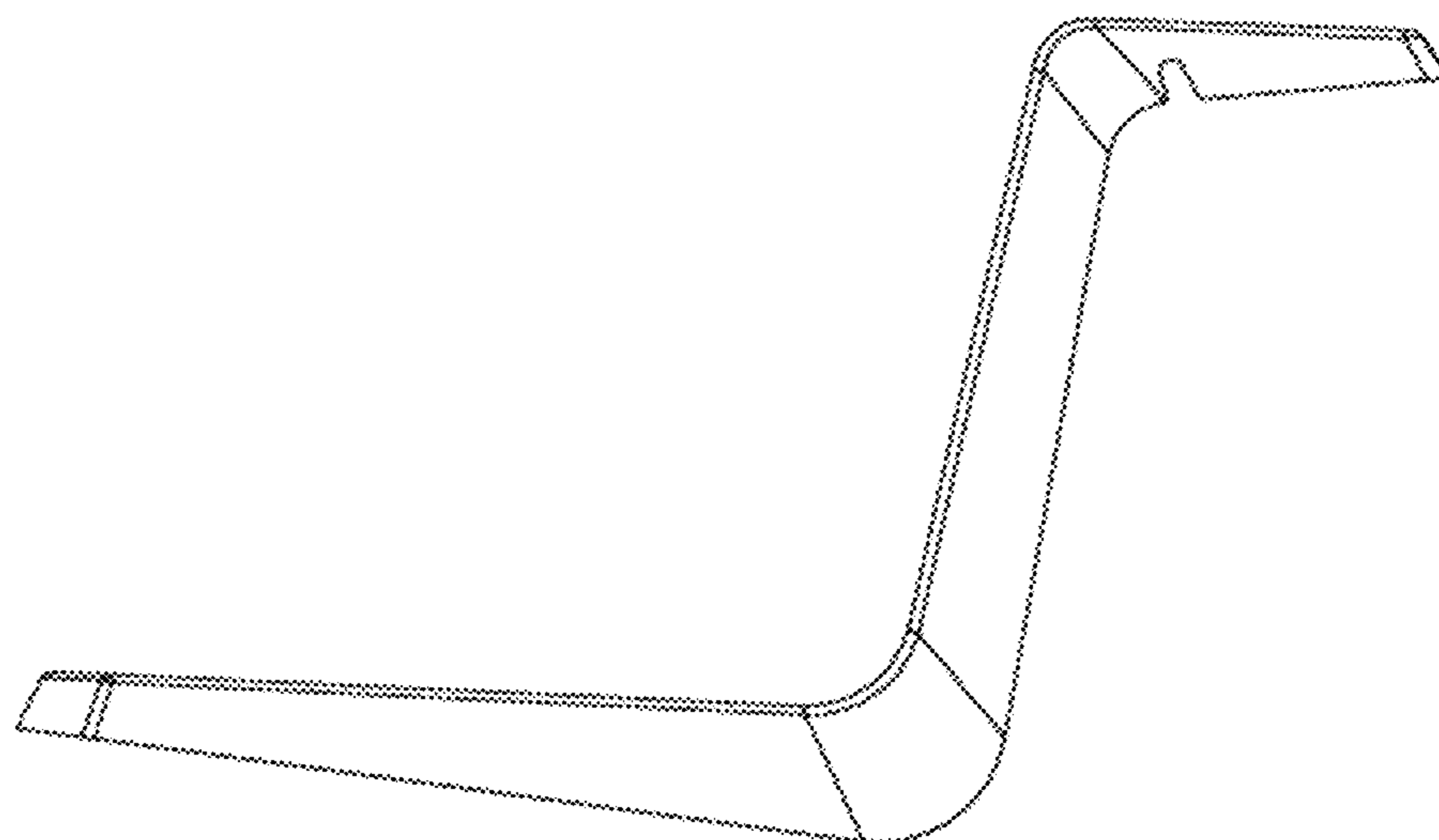


FIG. 6

FIG. 7

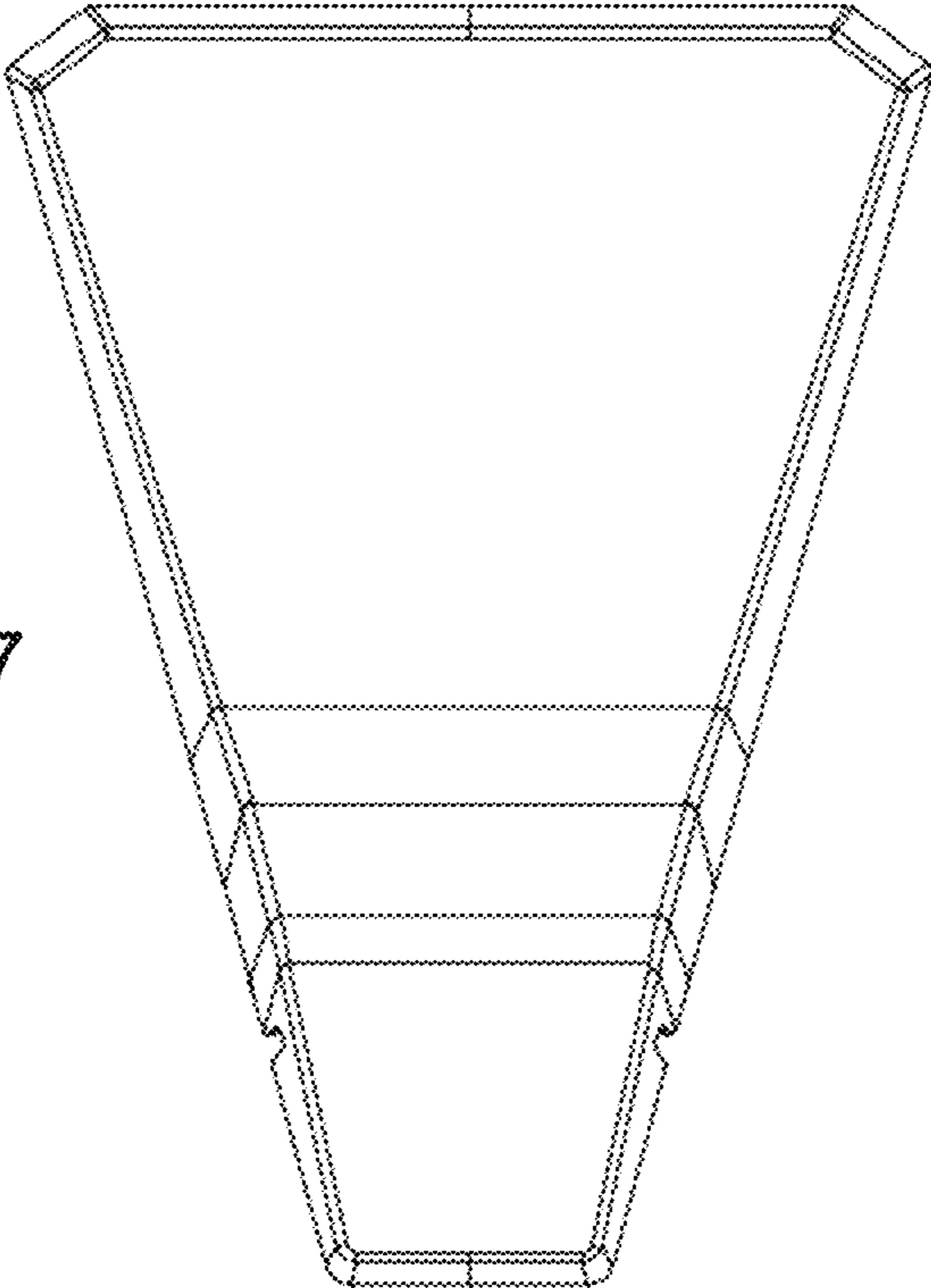


FIG. 8

