



US00D885071S

(12) **United States Design Patent**
Zheng

(10) **Patent No.:** **US D885,071 S**

(45) **Date of Patent:** **** May 26, 2020**

(54) **BIKE SEAT**

(71) Applicant: **Xiaofen Zheng**, Guangdong (CN)

(72) Inventor: **Xiaofen Zheng**, Guangdong (CN)

(**) Term: **15 Years**

(21) Appl. No.: **29/606,541**

(22) Filed: **Jun. 6, 2017**

(51) **LOC (12) Cl.** **06-01**

(52) **U.S. Cl.**
USPC **D6/354**

(58) **Field of Classification Search**
USPC D6/354; D12/114
CPC B62J 1/002; B62J 1/007
See application file for complete search history.

(56) **References Cited**

U.S. PATENT DOCUMENTS

D24,988 S *	12/1895	Cutting	D6/354
D28,038 S *	12/1897	Bunker	D6/354
D28,382 S *	3/1898	Garford	D6/354
D28,460 S *	4/1898	Hunt	D6/354
D28,759 S *	5/1898	Bunker	D6/354
D28,902 S *	6/1898	Bunker	D6/354
D29,247 S *	8/1898	Brown	D6/354
4,451,083 A *	5/1984	Marchello	B62J 1/20 297/195.1
D281,932 S *	12/1985	Schneider	D6/354
D407,910 S *	4/1999	Terry	D12/119
D429,573 S *	8/2000	Bontrager	D6/354
D446,031 S *	8/2001	Minkow	D6/354
D454,259 S *	3/2002	Yates	D6/354
D456,157 S *	4/2002	Yates	D6/354

D456,623 S *	5/2002	Yates	D6/354
6,450,572 B1 *	9/2002	Kuipers	B62J 1/00 297/195.1
D741,074 S *	10/2015	Huan	D6/354
D753,926 S *	4/2016	Smith	D6/354
9,487,116 B2 *	11/2016	Bigolin	B62J 1/00
9,643,673 B2 *	5/2017	Chiba	B62J 1/12
9,821,868 B2 *	11/2017	Chiba	B62J 1/12
D846,900 S *	4/2019	Toll	D6/354
2009/0152912 A1 *	6/2009	Yu	B62J 1/002 297/195.1
2012/0242119 A1 *	9/2012	Bigolin	B62J 1/00 297/195.1
2019/0291801 A1 *	9/2019	Sung	B62J 1/02

* cited by examiner

Primary Examiner — Deanna L Pratt

(74) *Attorney, Agent, or Firm* — Justin Lampel

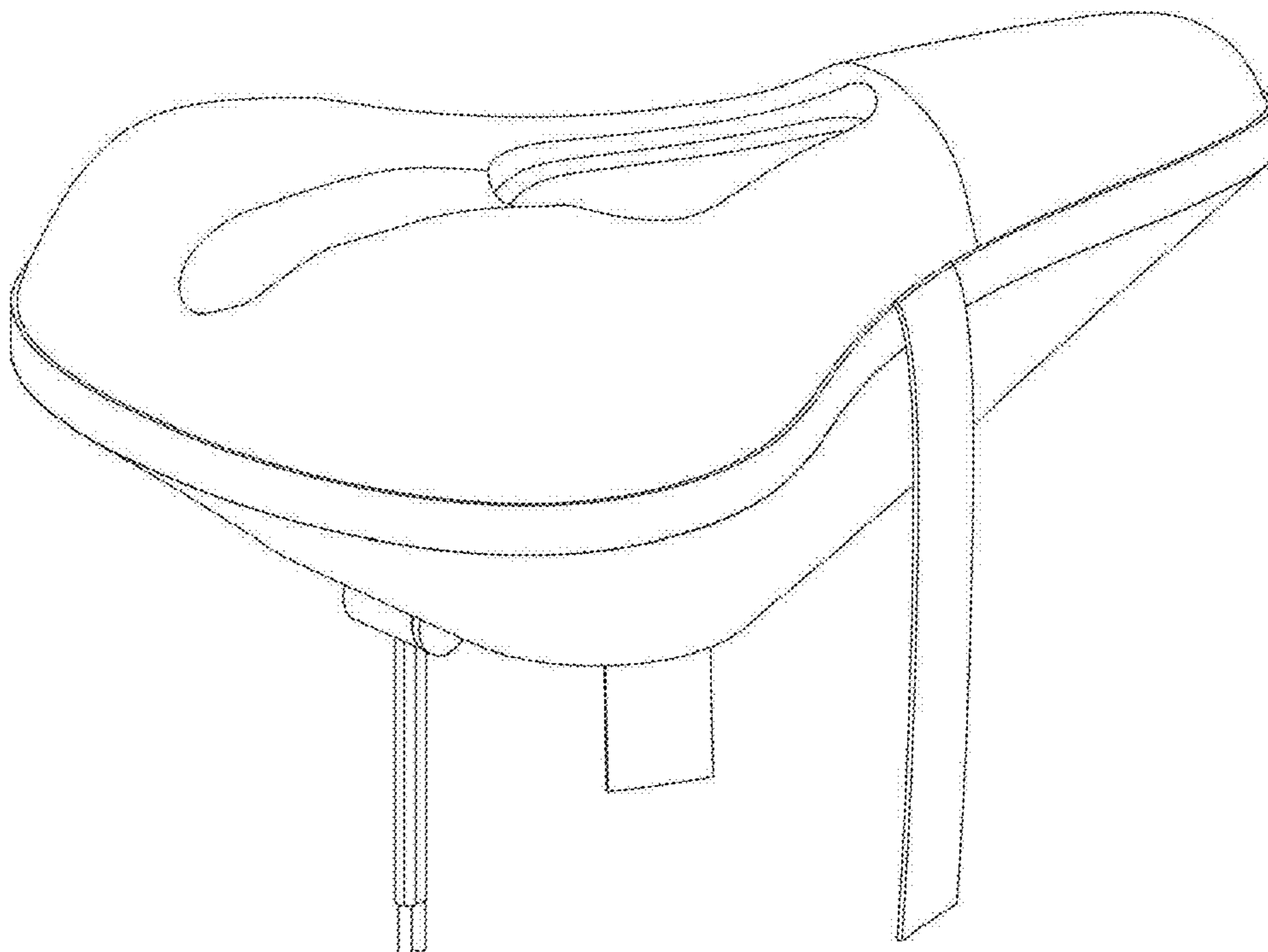
(57) **CLAIM**

The ornamental design for a bike seat, as shown and described.

DESCRIPTION

FIG. 1 is a perspective view of a bike seat showing my new design;
FIG. 2 is a front elevational view thereof;
FIG. 3 is a rear elevational view thereof;
FIG. 4 is a right side view thereof;
FIG. 5 is a left side view thereof;
FIG. 6 is a bottom plan view thereof; and,
FIG. 7 is a top plan view thereof.
The broken lines in FIG. 6 illustrate portions of the bike seat that form no part of the claimed design.

1 Claim, 7 Drawing Sheets



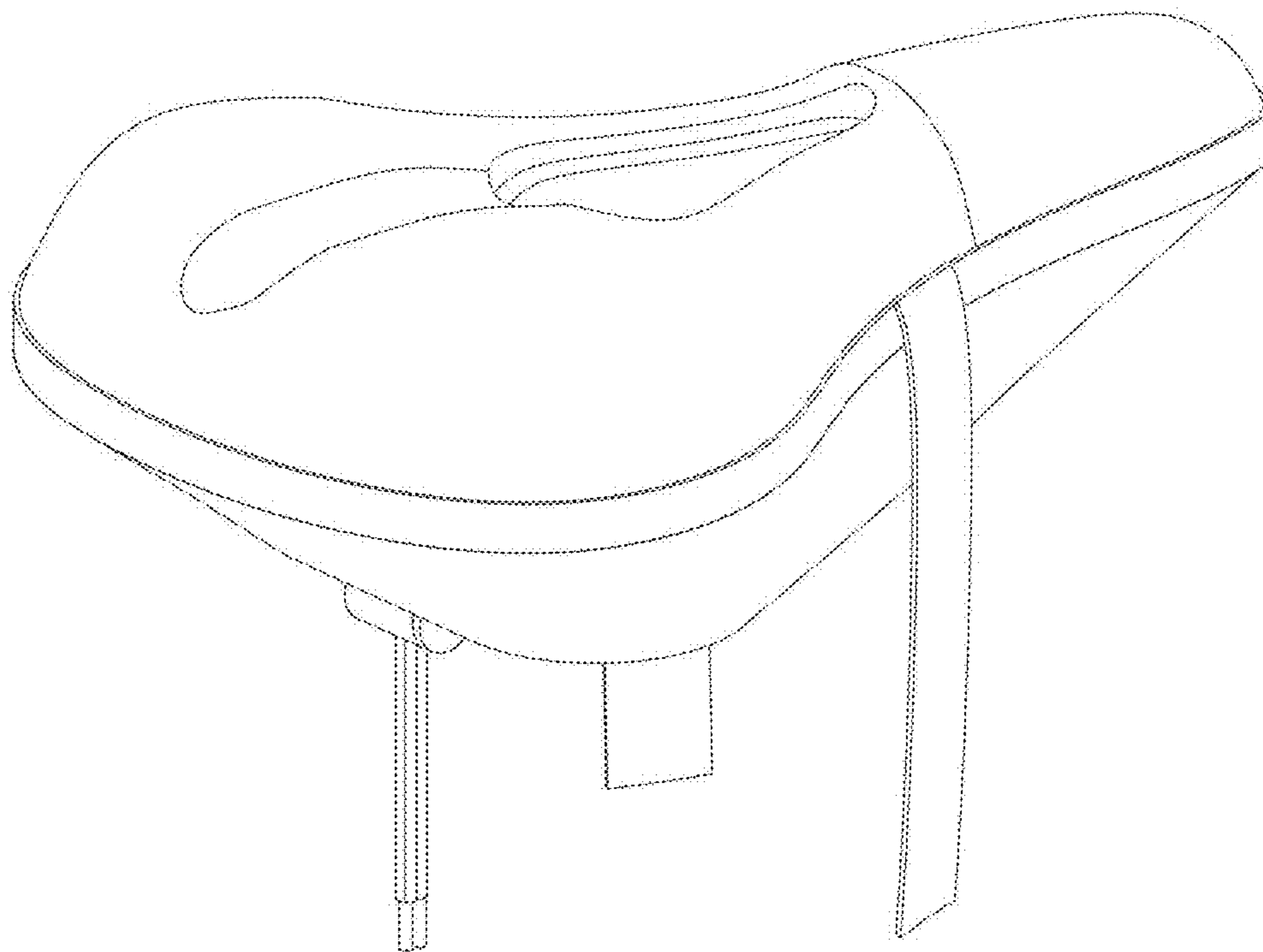


FIG.1

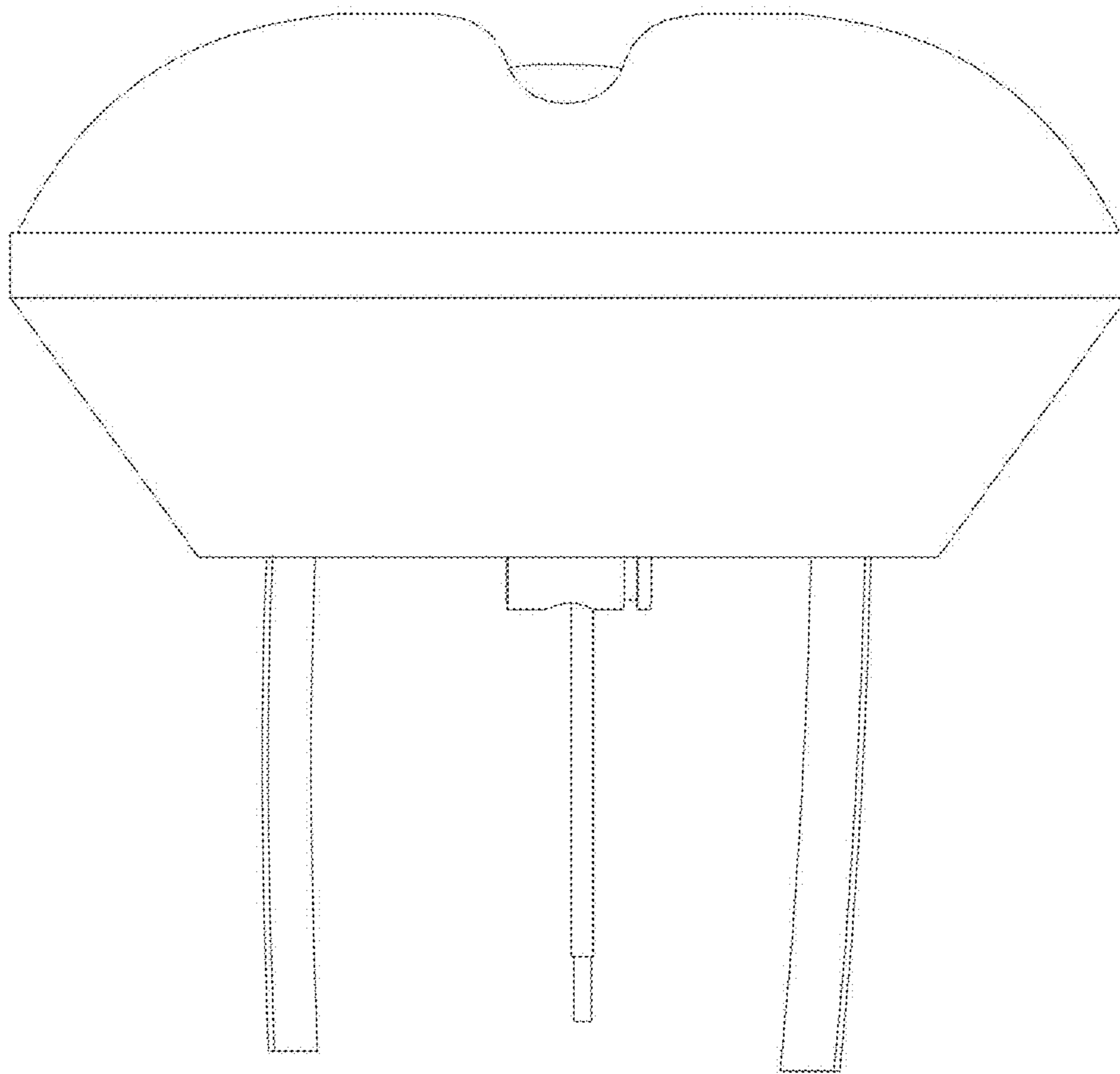


FIG.2

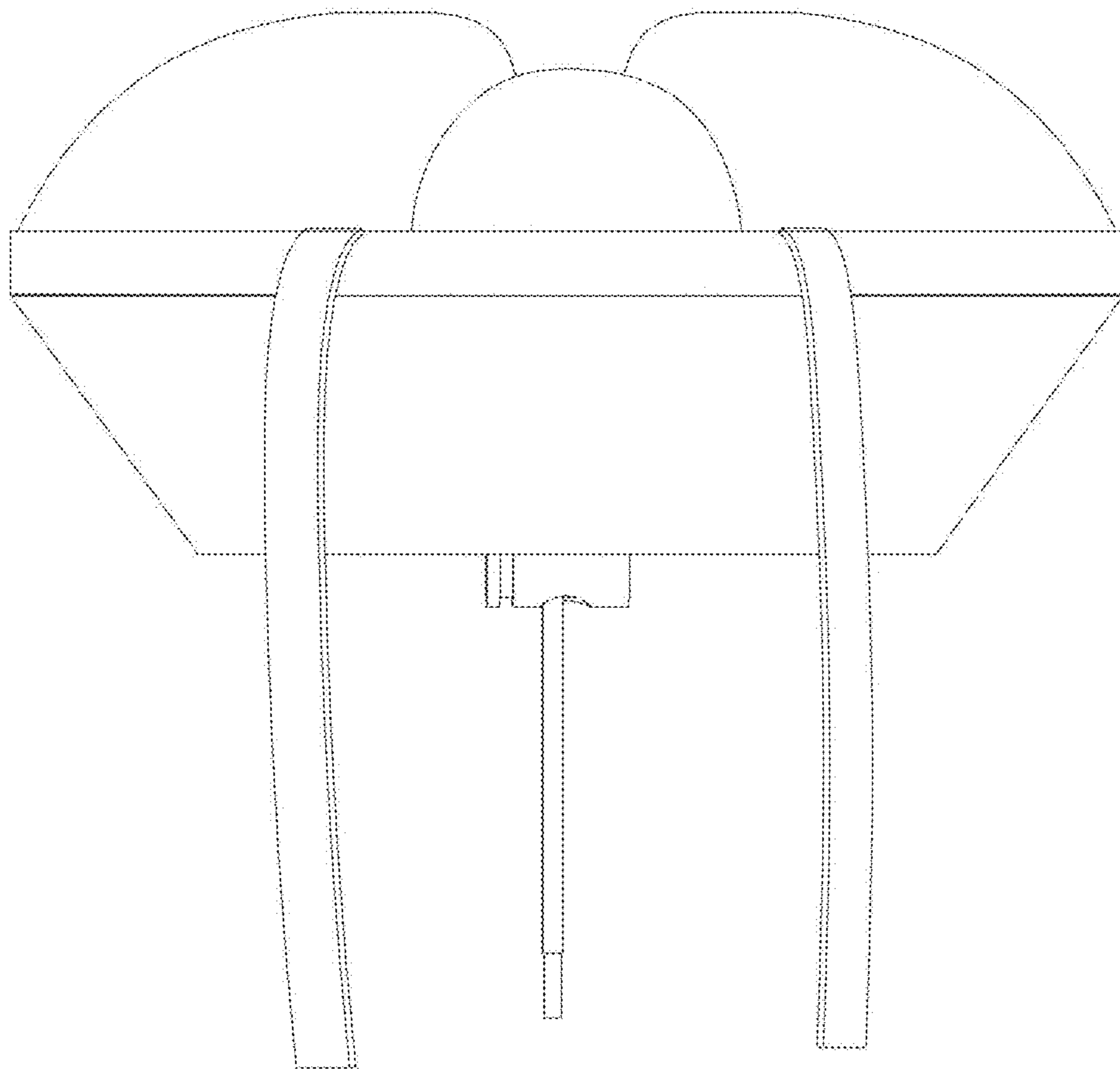


FIG.3

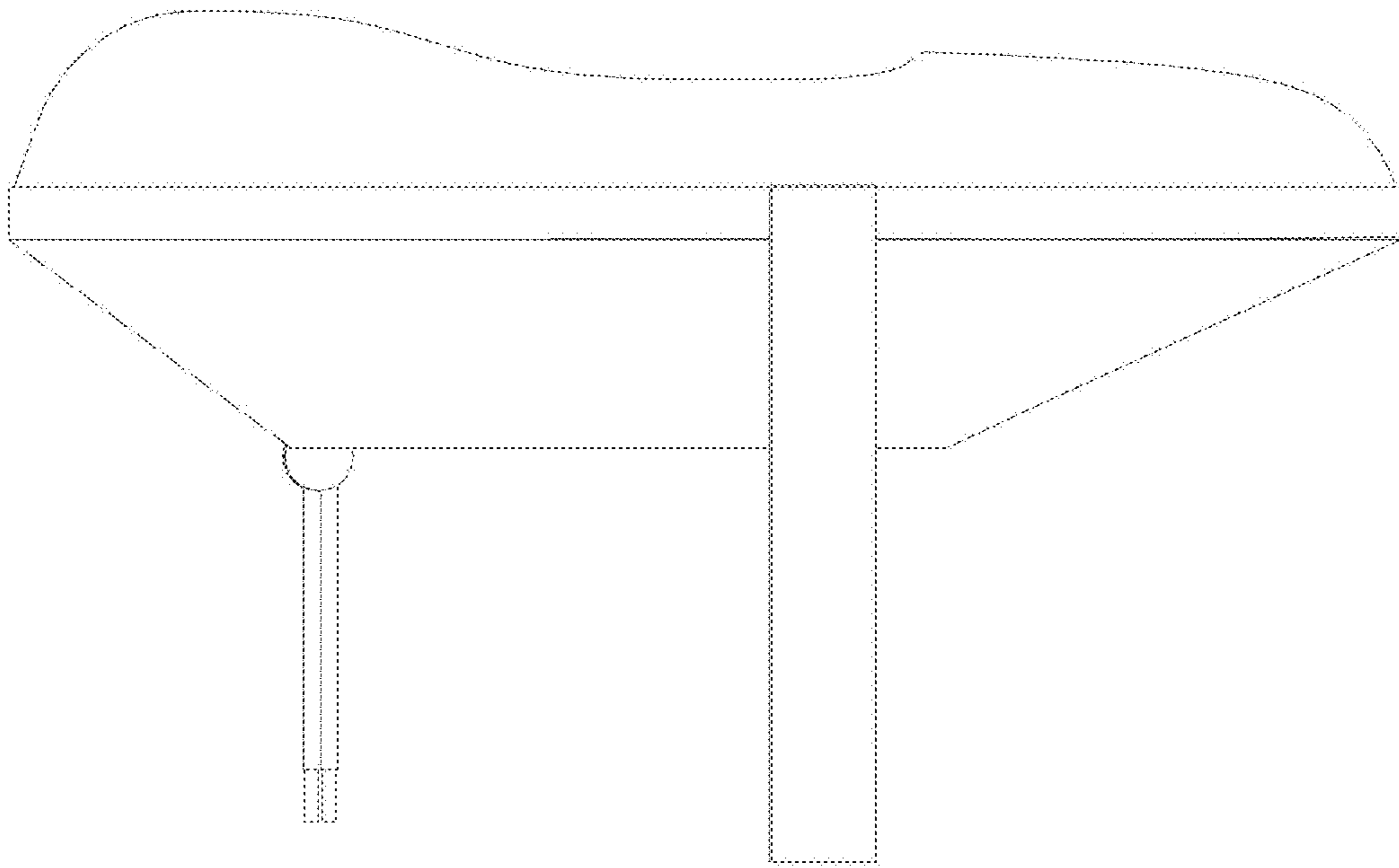


FIG.4

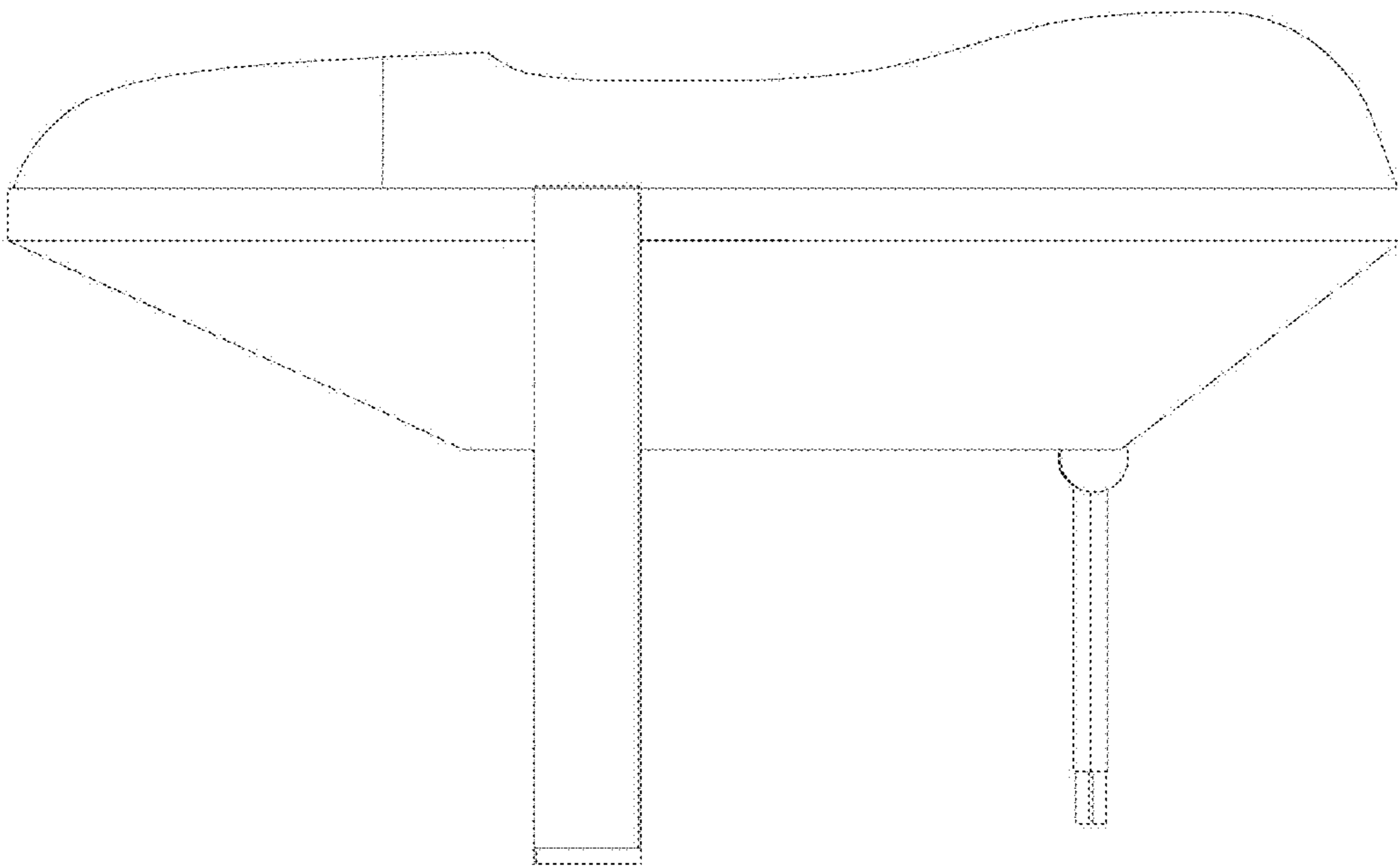


FIG. 5

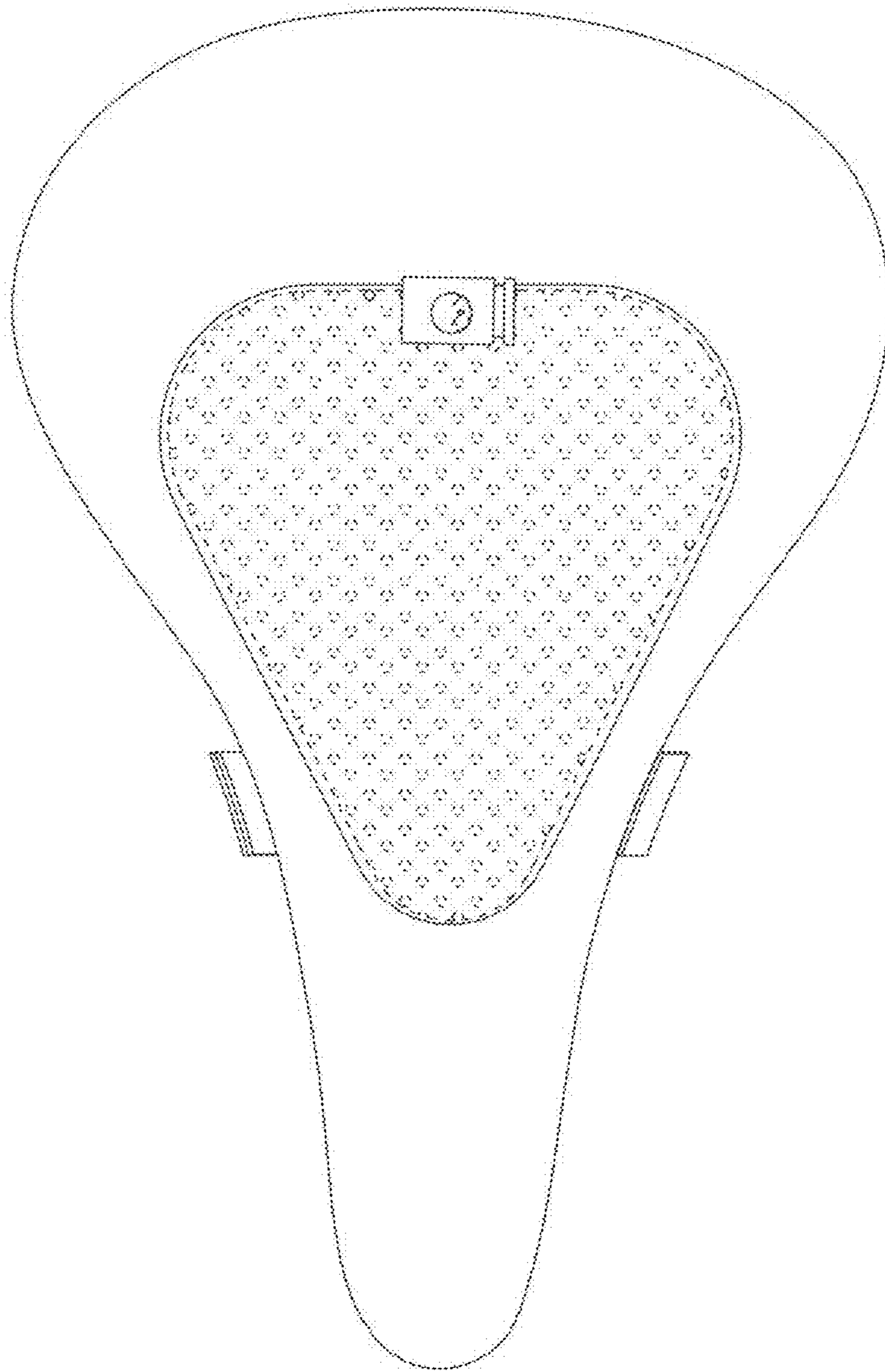


FIG.6

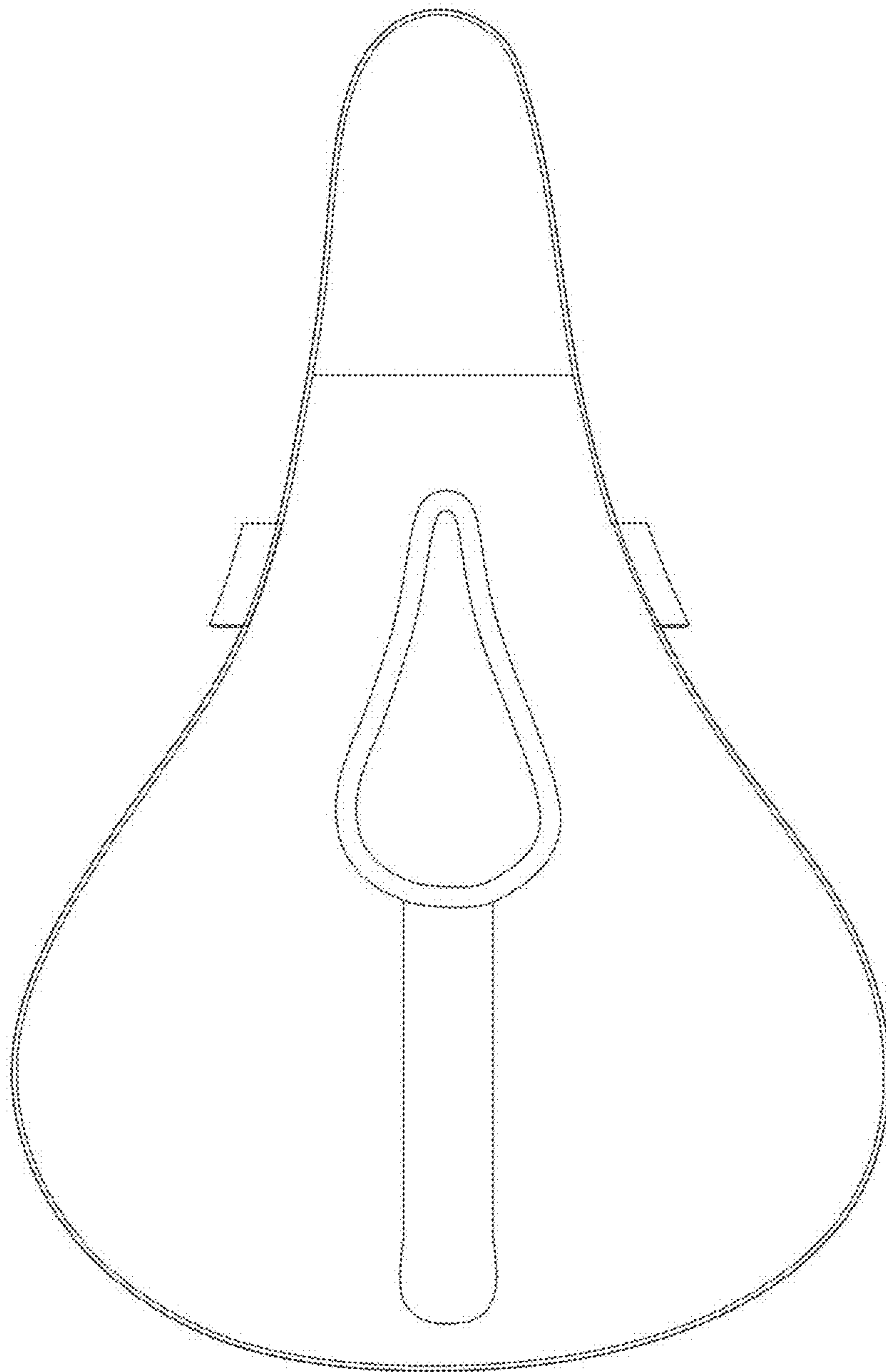


FIG. 7