



US00D885070S

(12) **United States Design Patent** (10) **Patent No.:** **US D885,070 S**
McNeill (45) **Date of Patent:** **** May 26, 2020**

(54) **SWING SEAT**
(71) Applicant: **Shade Swing, LLC**, Dallas, TX (US)
(72) Inventor: **Martin Chad McNeill**, Dallas, TX (US)

5,334,099 A 8/1994 Marra et al.
D375,423 S 11/1996 Lapointe
D439,062 S * 3/2001 McGinnis D6/347
6,416,132 B1 7/2002 Norton et al.
(Continued)

(73) Assignee: **Shade Swing, LLC**, Dallas, TX (US)
(**) Term: **15 Years**

FOREIGN PATENT DOCUMENTS

DE 19841035 A1 3/1999
GB 2508369 A 6/2014
WO WO 2016166553 A1 10/2016

(21) Appl. No.: **29/644,477**

OTHER PUBLICATIONS

(22) Filed: **Apr. 18, 2018**
(51) **LOC (12) Cl.** **06-01**
(52) **U.S. Cl.**
USPC **D6/344**
(58) **Field of Classification Search**
USPC D6/47, 333, 338, 339, 344, 375, 716;
D21/823
CPC A47C 1/00; A47D 13/105; A47D 1/08;
A47D 1/103; A47D 13/107; A47D
15/006; A63G 9/00; A63G 9/10; A63G
9/16; H02P 6/18
See application file for complete search history.

“High Back Infant Swing,” Gorilla Playsets, gorillaplaysets.com, accessed: Sep. 2017. <http://gorillaplaysets.com/high-back-infant-swing/>.

(Continued)

Primary Examiner — Kevin K Rudzinski
Assistant Examiner — Paul D Bohannon
(74) *Attorney, Agent, or Firm* — John A. Thomas

(57) **CLAIM**

The ornamental design for a swing seat, substantially as shown.

(56) **References Cited**

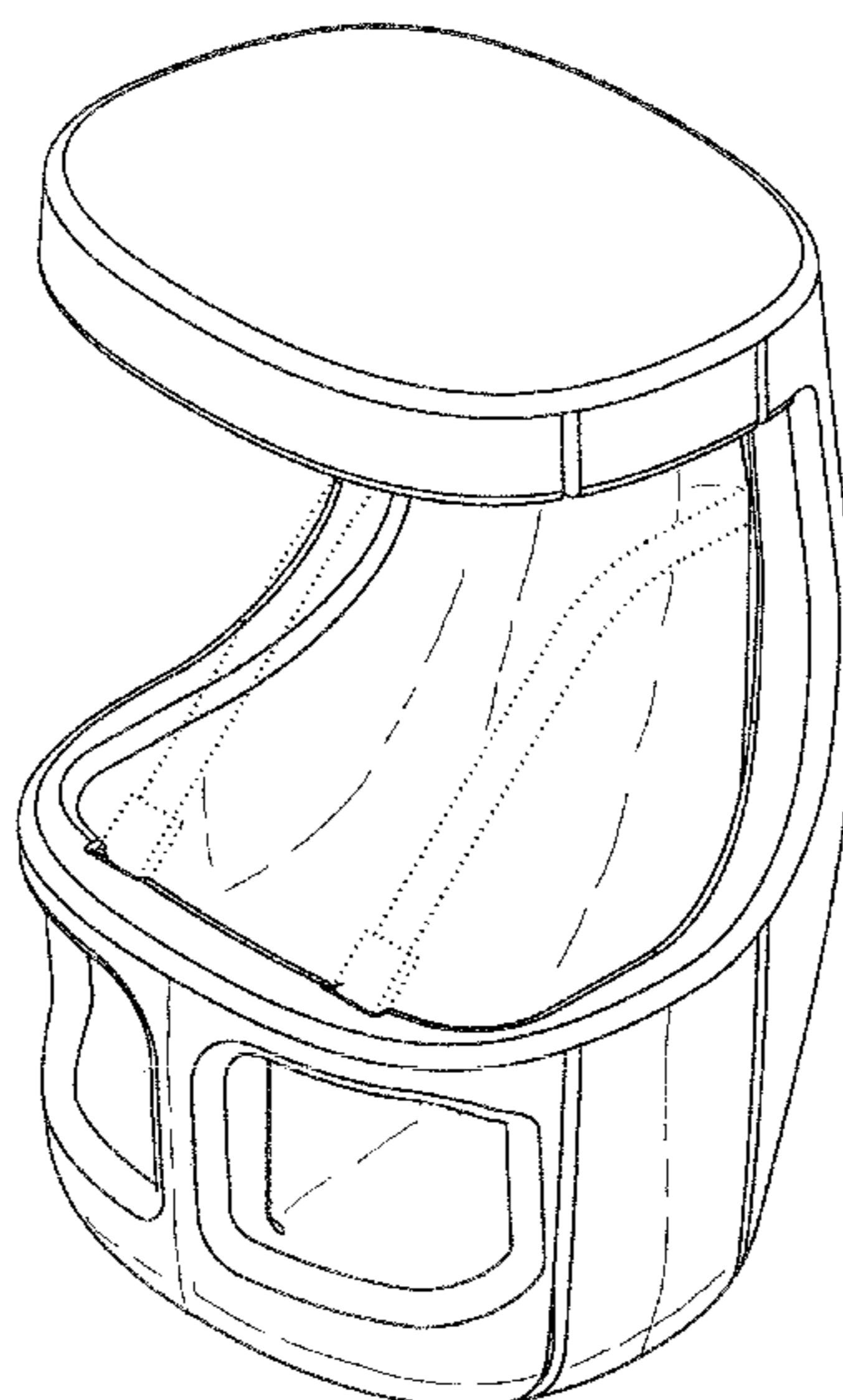
DESCRIPTION

U.S. PATENT DOCUMENTS

2,697,477 A * 12/1954 Welsh A47D 1/08
297/255
2,912,044 A 11/1959 David
3,528,657 A 9/1970 Krupsky
D254,409 S * 3/1980 Borucki D6/338
D260,580 S * 9/1981 Meeker D6/347
4,325,578 A * 4/1982 Borucki A63G 9/10
297/280
D272,171 S 1/1984 Lankford
D282,970 S 3/1986 Parkin
4,693,512 A 9/1987 Hobson
D296,739 S * 7/1988 Quinlan, Jr. D6/347
D297,685 S 9/1988 Wilson
D315,644 S 3/1991 White
5,203,363 A 4/1993 Kidwell et al.

FIG. 1 is an isometric front view of the swing seat incorporating my invention.
FIG. 2 is an isometric rear view thereof.
FIG. 3 is a left side view thereof. The right side is a mirror image of the left side shown.
FIG. 4 is a front view thereof.
FIG. 5 is a rear view thereof.
FIG. 6 is a top view thereof; and,
FIG. 7 is a bottom view thereof.
The dotted broken lines shown in the drawings are for the purpose of illustrating portions of the article and form no part of the claimed design.

1 Claim, 7 Drawing Sheets



(56)

References Cited

U.S. PATENT DOCUMENTS

D497,725 S * 11/2004 Marmentini D6/333
 D517,636 S * 3/2006 Bolland D21/823
 7,175,535 B1 2/2007 Marmentini
 7,565,910 B2 7/2009 Alexakis
 D601,358 S 10/2009 Yu
 7,806,472 B2 10/2010 Runk et al.
 8,066,577 B2 * 11/2011 Chen A47D 13/105
 472/118
 D655,518 S 3/2012 Sclare
 8,376,461 B2 * 2/2013 Chen A47D 13/105
 297/130
 8,419,559 B2 * 4/2013 Zhang A47D 13/105
 472/118
 8,439,447 B2 5/2013 Brown et al.
 D693,133 S * 11/2013 Weeder D6/333
 8,678,942 B2 3/2014 Zhang

8,932,143 B2 * 1/2015 Pyrcce A47D 13/105
 472/119
 D751,307 S 3/2016 Pena
 9,370,258 B1 * 6/2016 vom Scheidt, Jr.
 A47D 13/105
 D772,587 S 11/2016 Micol
 9,533,231 B2 1/2017 Peres et al.
 10,478,736 B1 * 11/2019 McNeill A47D 13/107

OTHER PUBLICATIONS

“Infant to Toddler SWING™,” Step 2, step2.com, Jul. 12, 2017.
<https://web.archive.org/web/20170712035137/https://www.step2.com/p/infant-totoddler-swing>.
 “Outdoor Sun Safe Swing Canopy Infant Baby Shade Seat Toddler Bouncer Play Set,” Amazon, amazon.com, ASIN: B014TB6THS, accessed: Sep. 2017. <https://www.amazon.com/Outdoor-Canopy-Infant-Toddler-Bouncer/dp/B014TB6THS>.

* cited by examiner

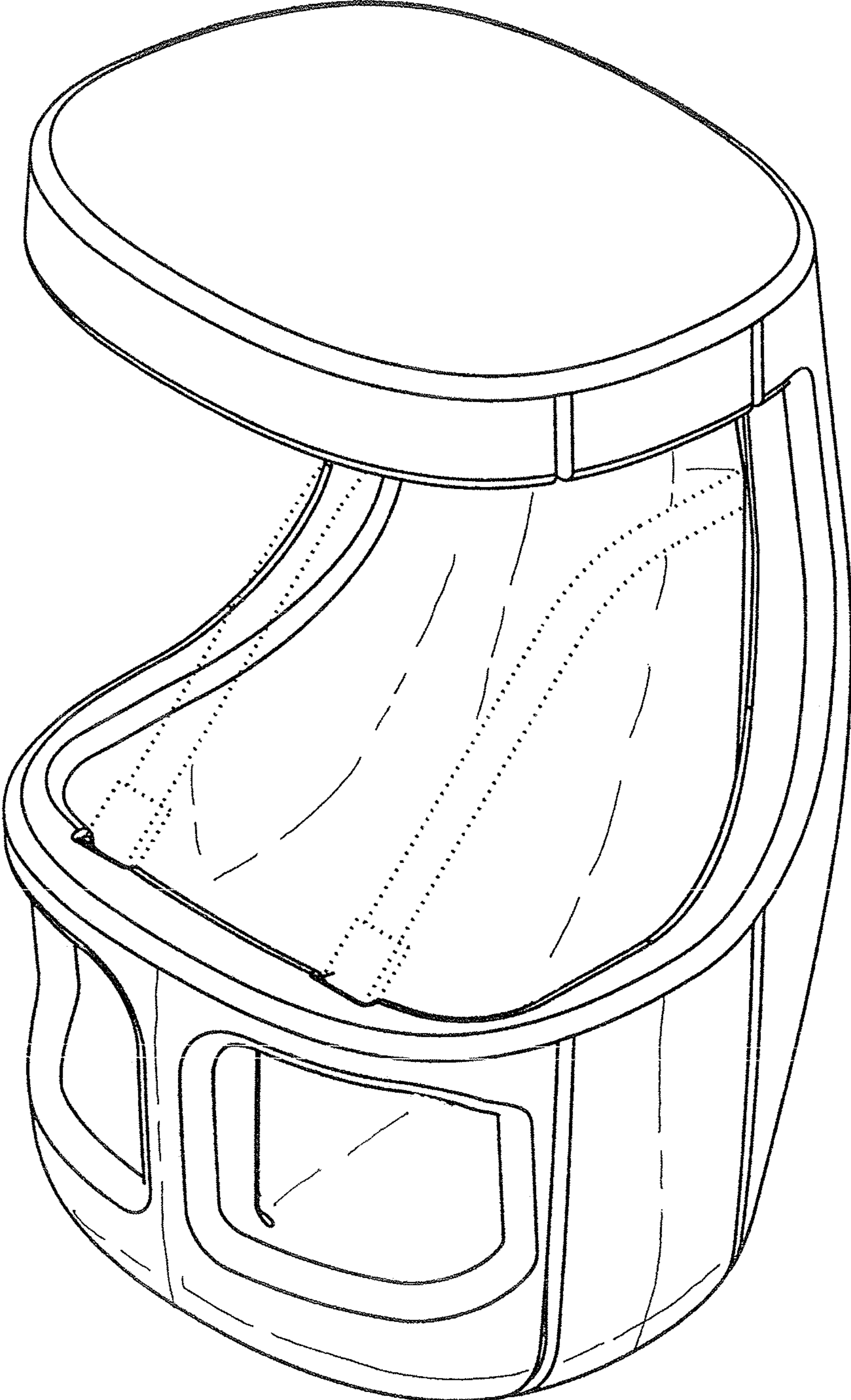


FIGURE 1

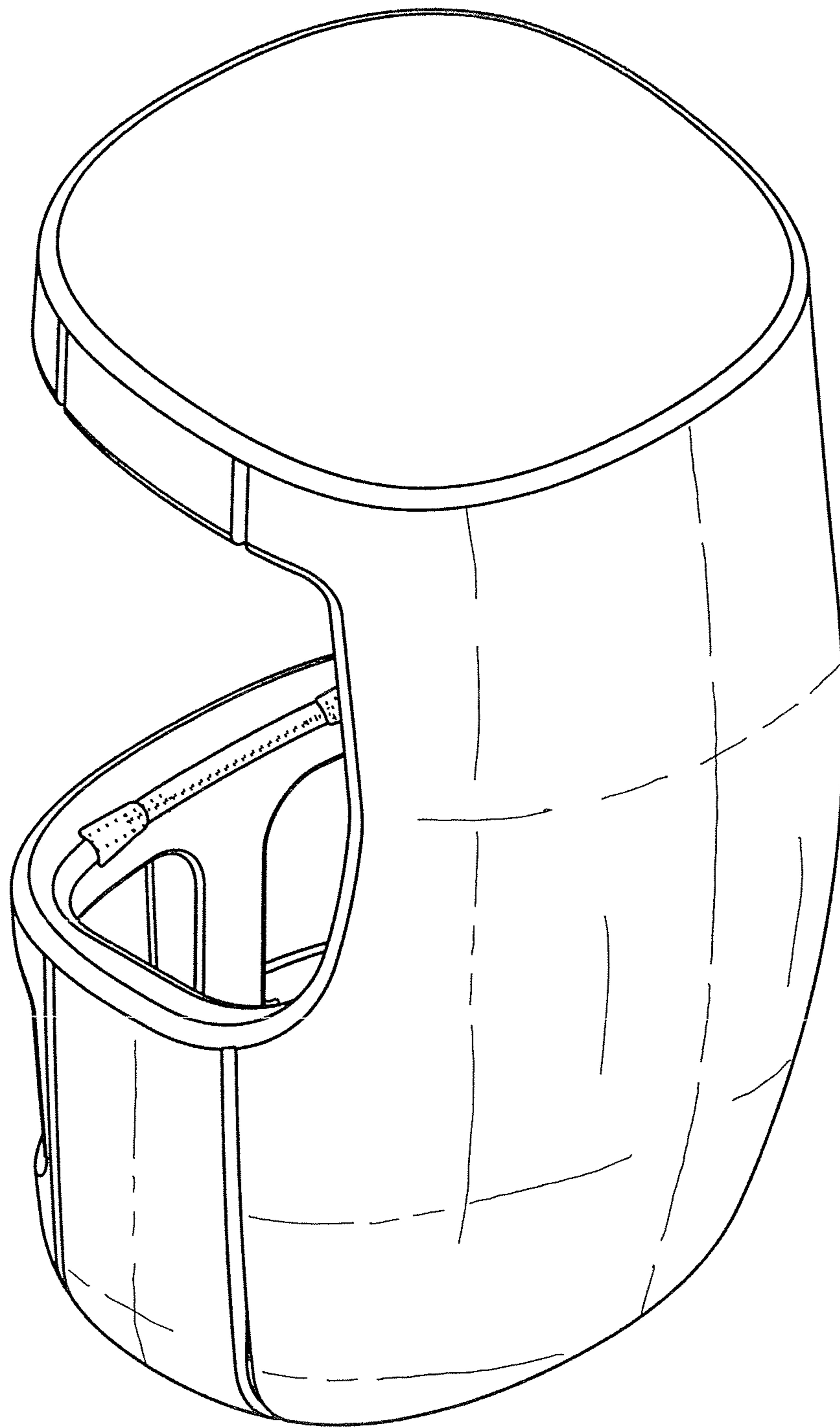


FIGURE 2

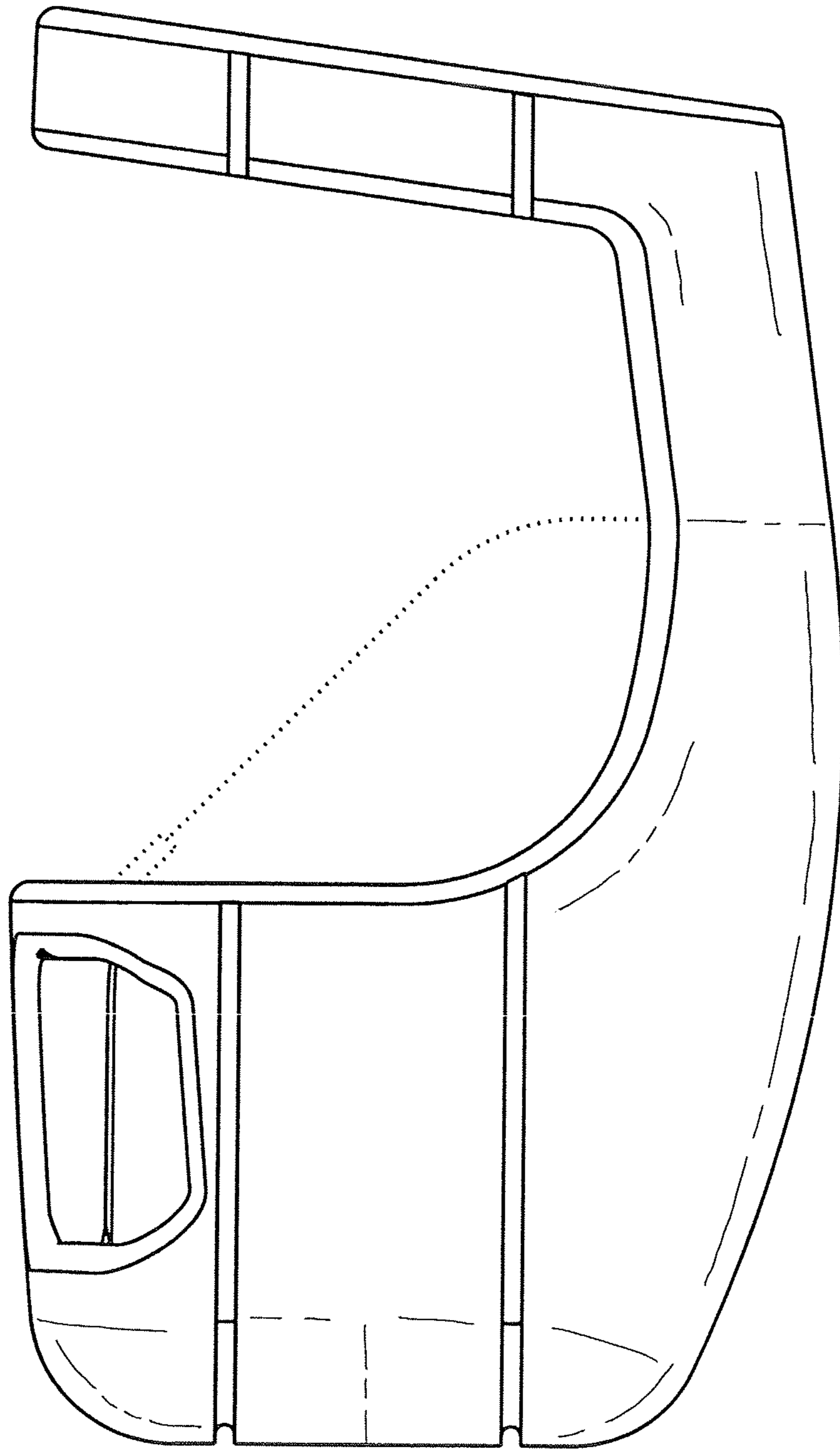


FIGURE 3

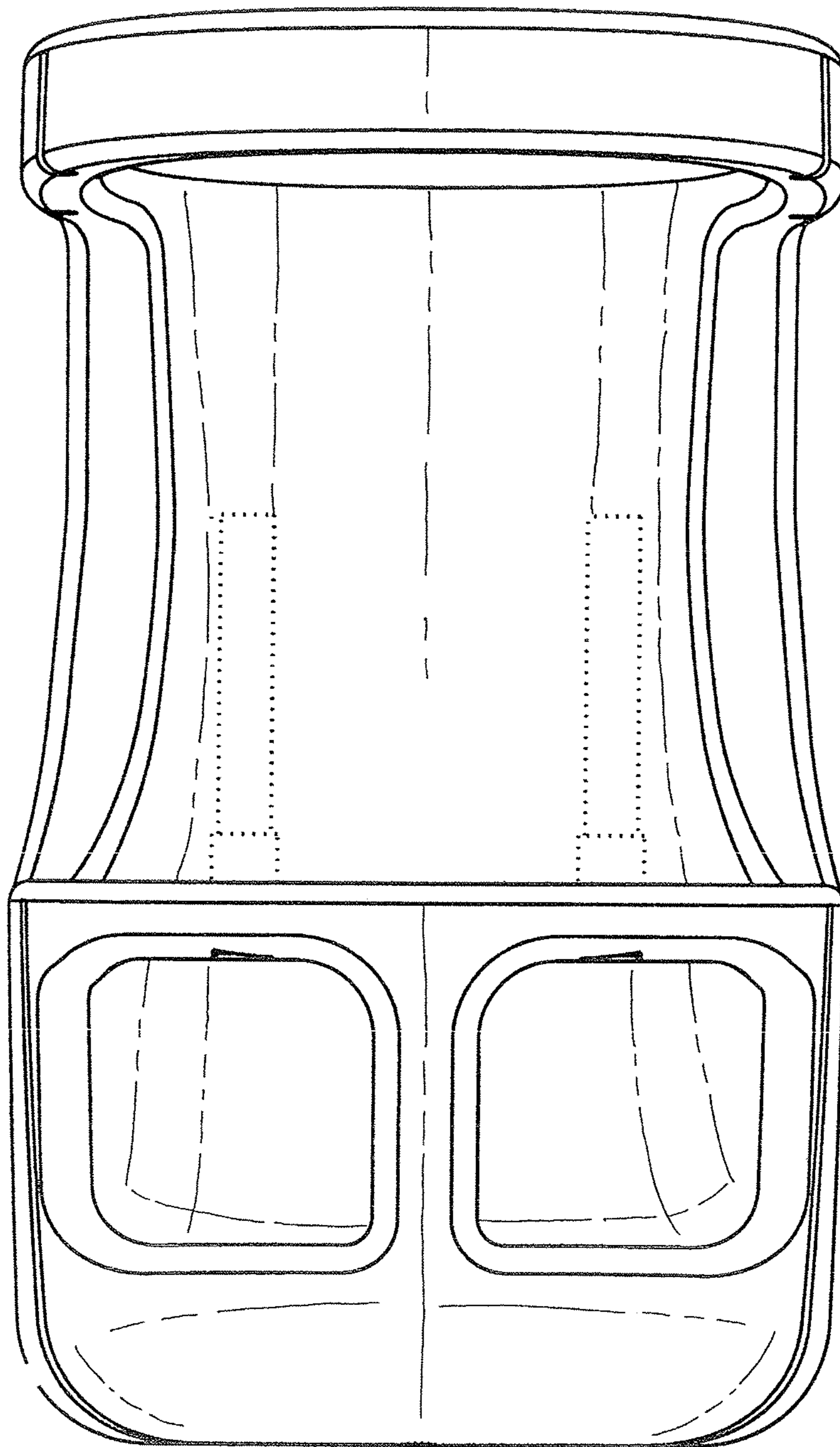


FIGURE 4

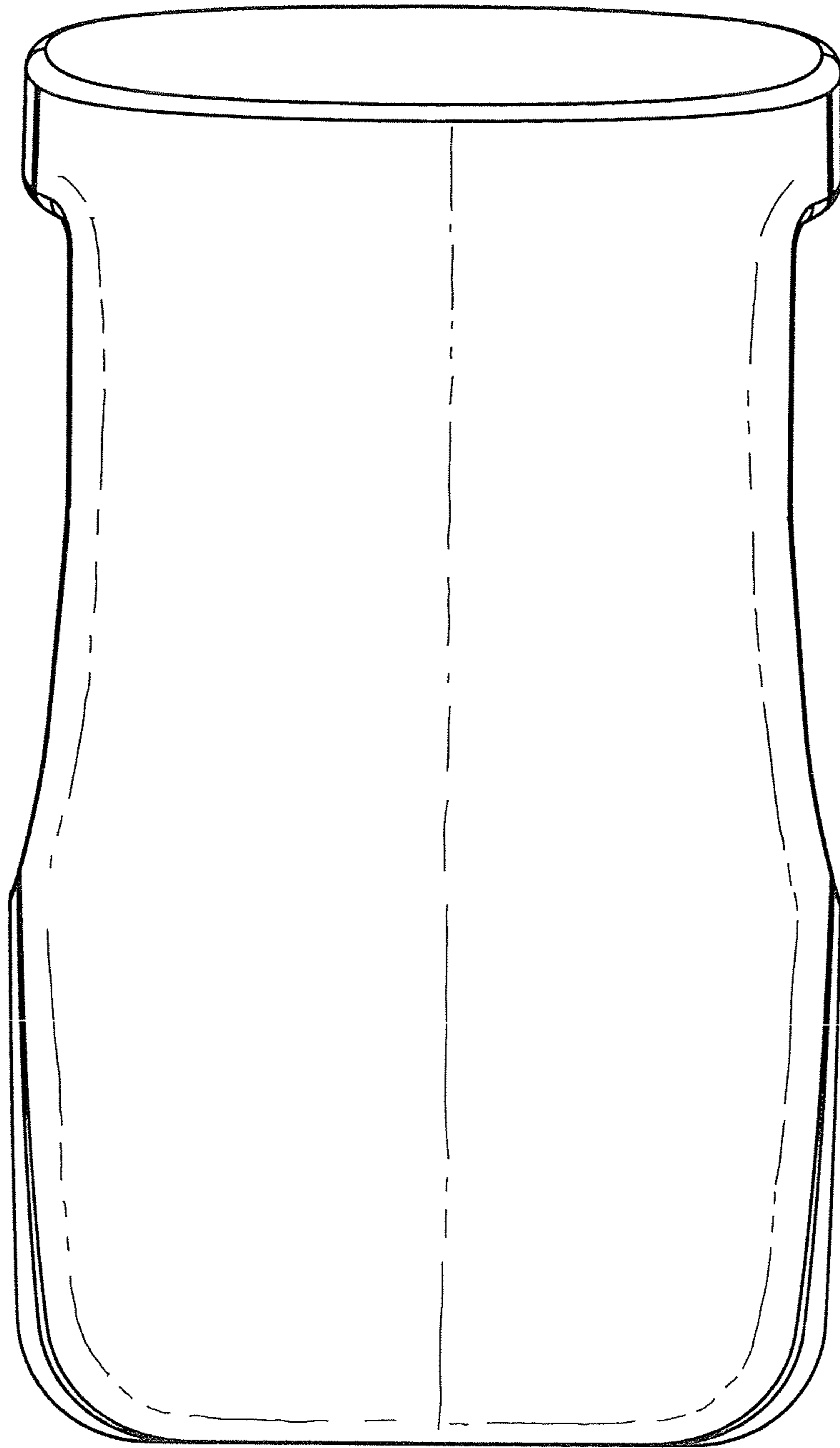


FIGURE 5

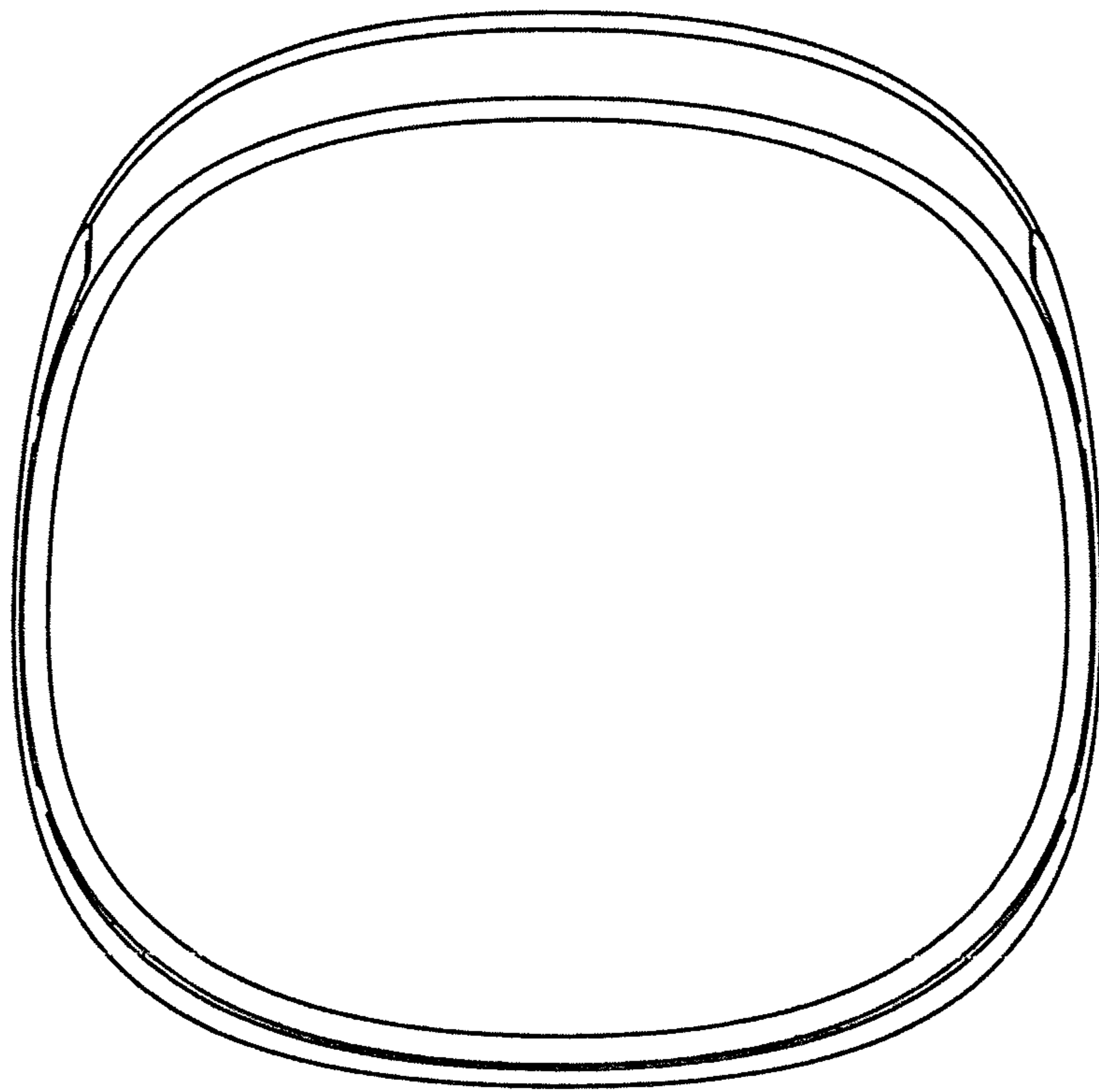


FIGURE 6

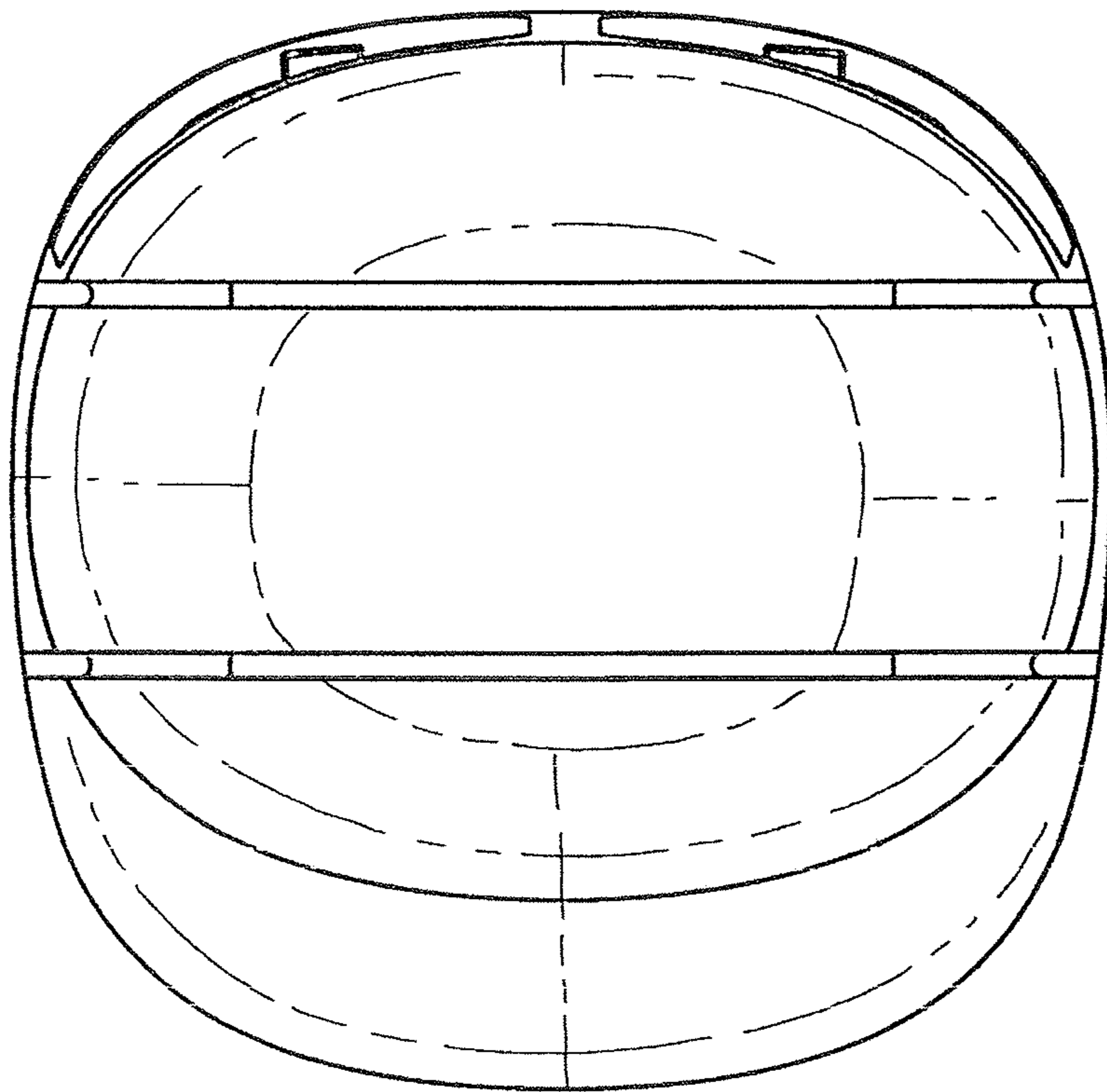


FIGURE 7