



US00D885069S

(12) **United States Design Patent** (10) **Patent No.:** **US D885,069 S**  
**McNeill** (45) **Date of Patent:** **\*\* May 26, 2020**

(54) **SWING SEAT**  
(71) Applicant: **Shade Swing, LLC**, Dallas, TX (US)  
(72) Inventor: **Martin Chad McNeill**, Dallas, TX (US)

5,334,099 A 8/1994 Marra et al.  
D375,423 S 11/1996 Lapointe  
D439,062 S \* 3/2001 McGinnis ..... D6/347  
6,416,132 B1 7/2002 Norton et al.  
(Continued)

(73) Assignee: **Shade Swing, LLC**, Dallas, TX (US)  
(\*\*) Term: **15 Years**

FOREIGN PATENT DOCUMENTS

DE 19841035 A1 3/1999  
GB 2508369 A 6/2014  
WO WO 2016166553 A1 10/2016

(21) Appl. No.: **29/644,474**

OTHER PUBLICATIONS

(22) Filed: **Apr. 18, 2018**  
(51) **LOC (12) Cl.** ..... **06-01**  
(52) **U.S. Cl.**  
USPC ..... **D6/344**  
(58) **Field of Classification Search**  
USPC ..... D6/47, 333, 338, 339, 344, 375, 716;  
D21/823  
CPC ..... A47C 1/00; A47D 13/105; A47D 1/08;  
A47D 1/103; A47D 13/107; A47D  
15/006; A63G 9/00; A63G 9/10; A63G  
9/16; H02P 6/18  
See application file for complete search history.

“High Back Infant Swing,” Gorilla Playsets, gorillaplaysets.com, accessed: Sep. 2017. <http://gorillaplaysets.com/high-back-infant-swing/>.

(Continued)

*Primary Examiner* — Kevin K Rudzinski  
*Assistant Examiner* — Paul D Bohannon  
(74) *Attorney, Agent, or Firm* — John A. Thomas

(57) **CLAIM**

The ornamental design for a swing seat, substantially as shown.

(56) **References Cited**

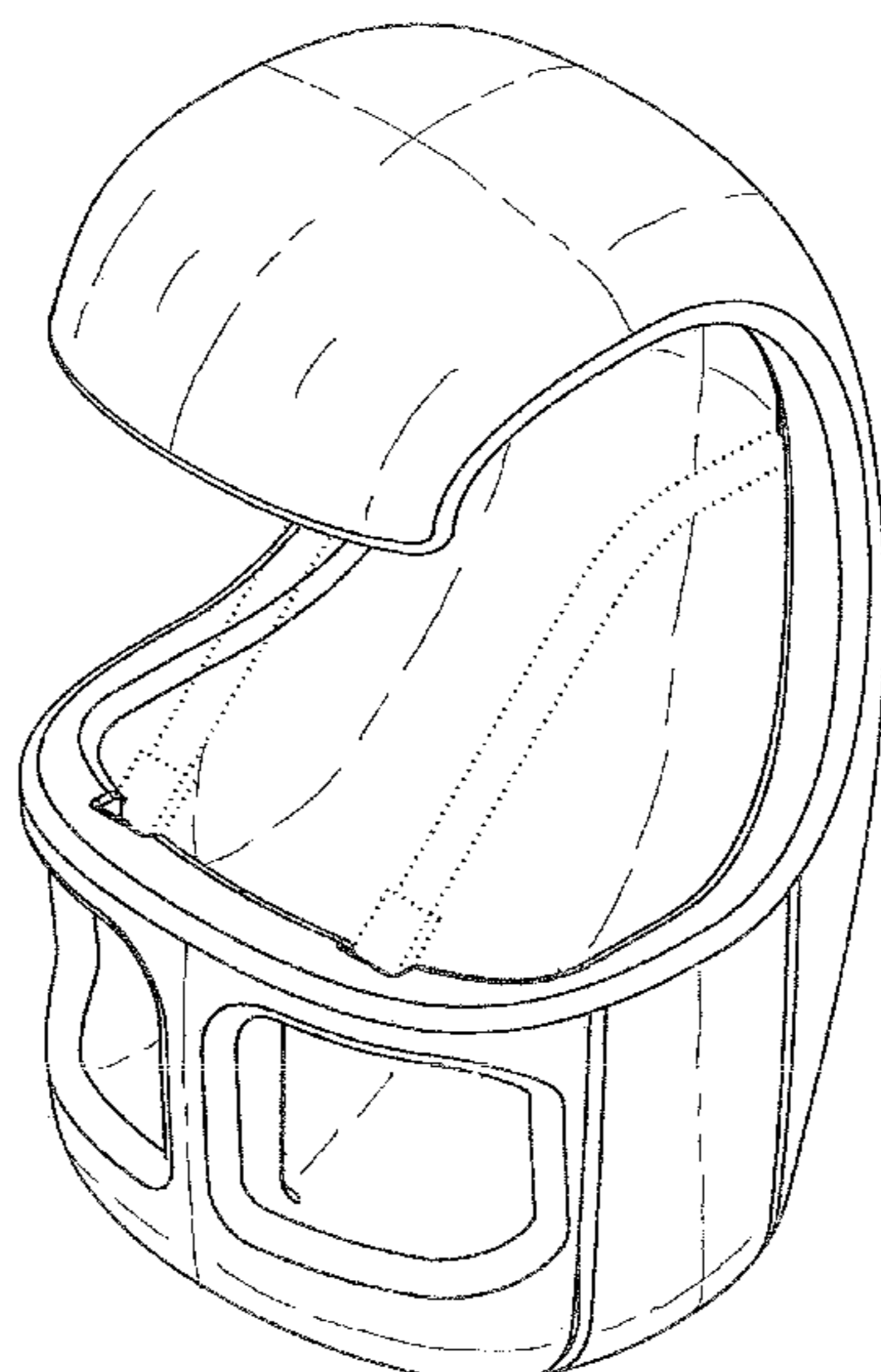
**DESCRIPTION**

U.S. PATENT DOCUMENTS

2,697,477 A \* 12/1954 Welsh ..... A47D 1/08  
297/255  
2,912,044 A 11/1959 David  
3,528,657 A 9/1970 Krupsky  
D254,409 S \* 3/1980 Borucki ..... D6/338  
D260,580 S \* 9/1981 Meeker ..... D6/347  
4,325,578 A \* 4/1982 Borucki ..... A63G 9/10  
297/280  
D272,171 S 1/1984 Lankford  
D282,970 S 3/1986 Parkin  
4,693,512 A 9/1987 Hobson  
D296,739 S \* 7/1988 Quinlan, Jr. .... D6/347  
D297,685 S 9/1988 Wilson  
D315,644 S 3/1991 White  
5,203,363 A 4/1993 Kidwell et al.

FIG. 1 is an isometric front view of the swing seat incorporating my invention.  
FIG. 2 is an isometric rear view thereof.  
FIG. 3 is a left side view thereof. The right side is a mirror image of the left side shown.  
FIG. 4 is a front view thereof.  
FIG. 5 is a rear view thereof.  
FIG. 6 is a top view thereof; and,  
FIG. 7 is a bottom view thereof.  
The dotted broken lines shown in the drawings are for the purpose of illustrating portions of the article and form no part of the claimed design.

**1 Claim, 7 Drawing Sheets**



(56)

**References Cited**

U.S. PATENT DOCUMENTS

D497,725 S \* 11/2004 Marmentini ..... D6/333  
 D517,636 S \* 3/2006 Bolland ..... D21/823  
 7,175,535 B1 2/2007 Marmentini  
 7,565,910 B2 7/2009 Alexakis  
 D601,358 S 10/2009 Yu  
 7,806,472 B2 10/2010 Runk et al.  
 8,066,577 B2 \* 11/2011 Chen ..... A47D 13/105  
 472/118  
 D655,518 S 3/2012 Sclare  
 8,376,461 B2 \* 2/2013 Chen ..... A47D 13/105  
 297/130  
 8,419,559 B2 \* 4/2013 Zhang ..... A47D 13/105  
 472/118  
 8,439,447 B2 5/2013 Brown et al.  
 D693,133 S \* 11/2013 Weeder ..... D6/333  
 8,678,942 B2 3/2014 Zhang

8,932,143 B2 \* 1/2015 Pyrcce ..... A47D 13/105  
 472/119  
 D751,307 S 3/2016 Pena  
 9,370,258 B1 \* 6/2016 vom Scheidt, Jr. ....  
 A47D 13/105  
 D772,587 S 11/2016 Micol  
 9,533,231 B2 1/2017 Peres et al.  
 10,478,736 B1 \* 11/2019 McNeill ..... A47D 13/107

OTHER PUBLICATIONS

“Infant to Toddler Swing™,” Step 2, step2.com, Jul. 12, 2017.  
<https://web.archive.org/web/20170712035137/https://www.step2.com/p/infant-totoddler-swing>.  
 “Outdoor Sun Safe Swing Canopy Infant Baby Shade Seat Toddler Bouncer Play Set,” Amazon, amazon.com, ASIN: B014TB6THS, accessed: Sep. 2017. <https://www.amazon.com/Outdoor-Canopy-Infant-Toddler-Bouncer/dp/B014TB6THS>.

\* cited by examiner

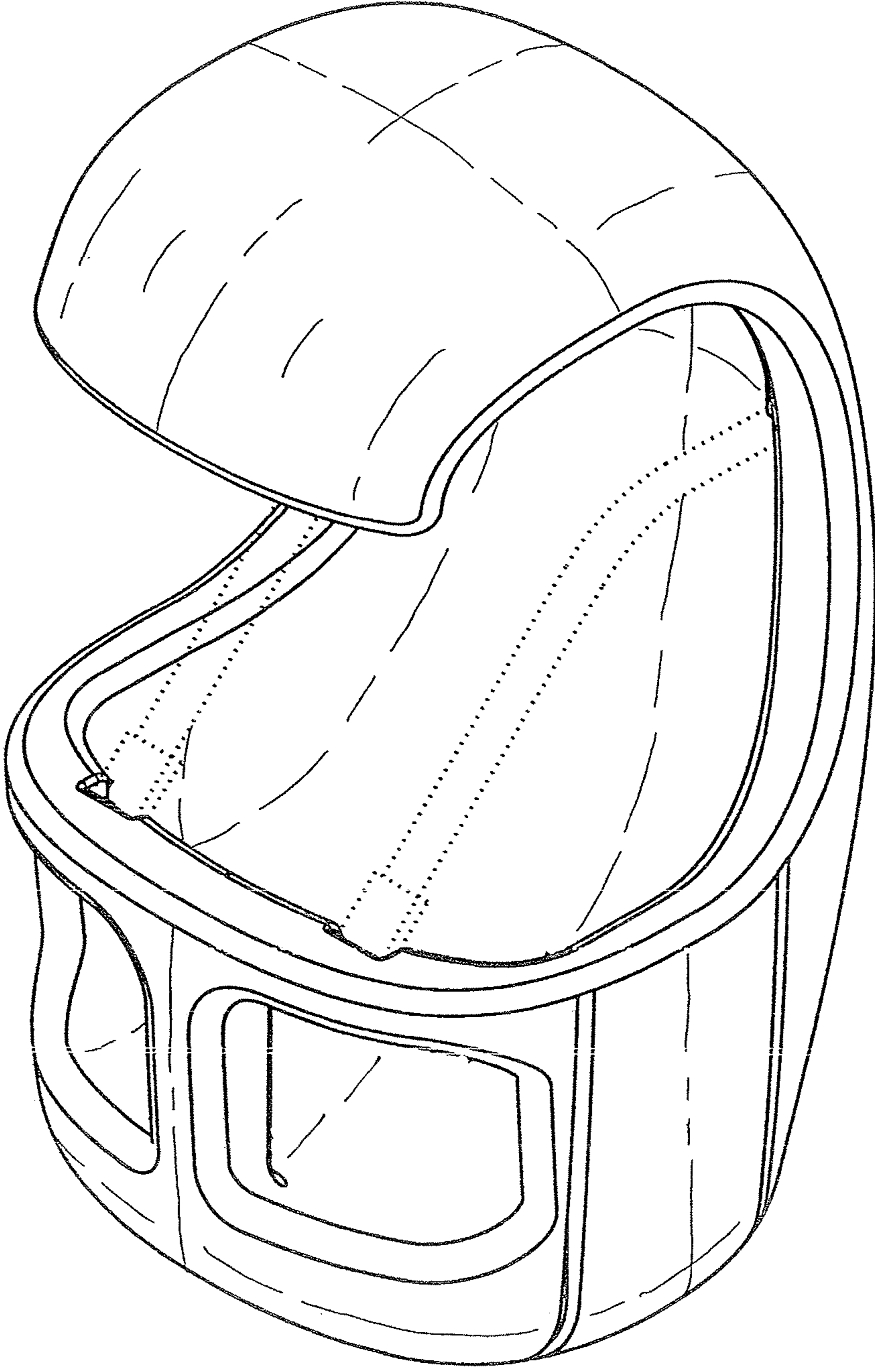


FIGURE 1

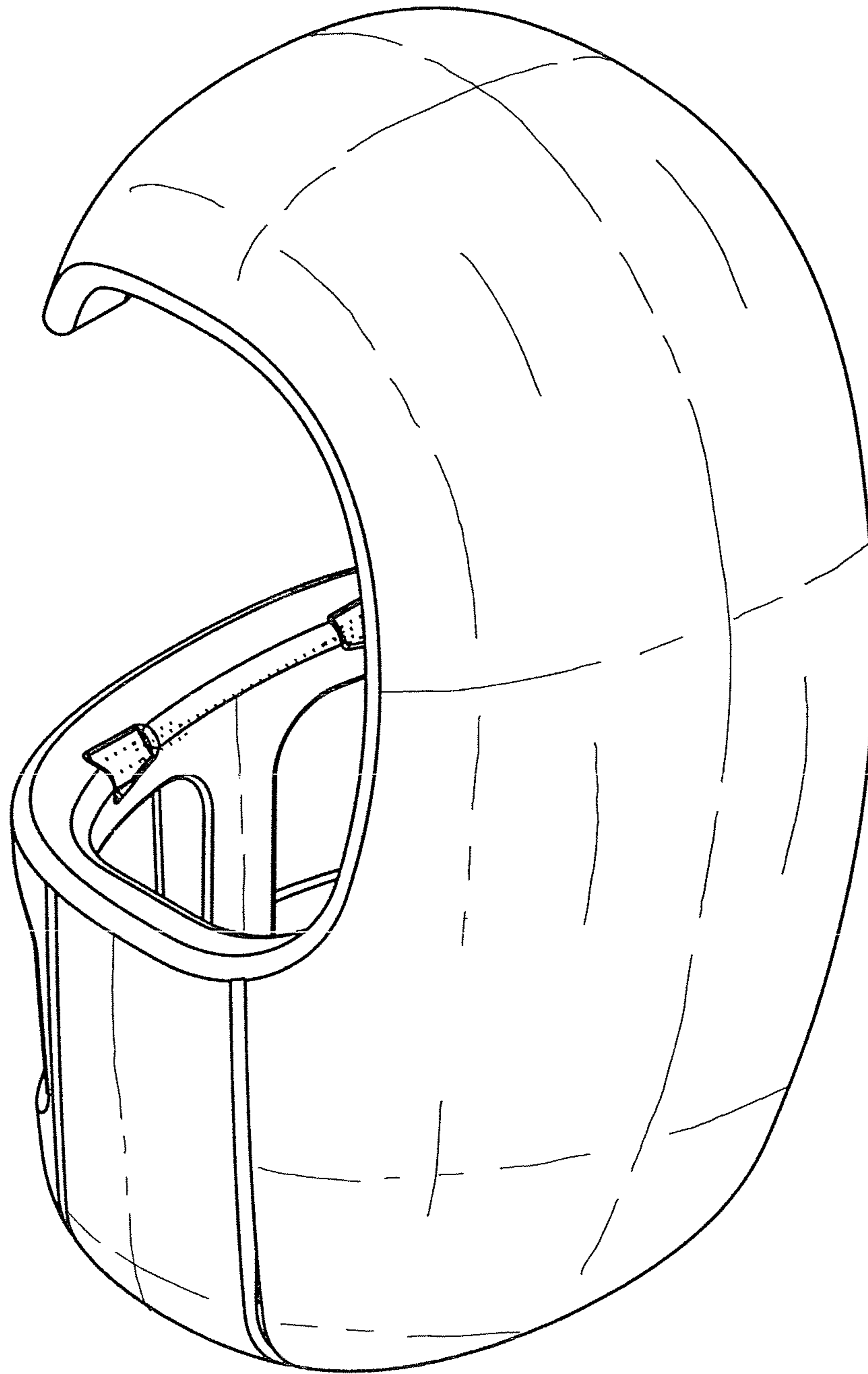


FIGURE 2

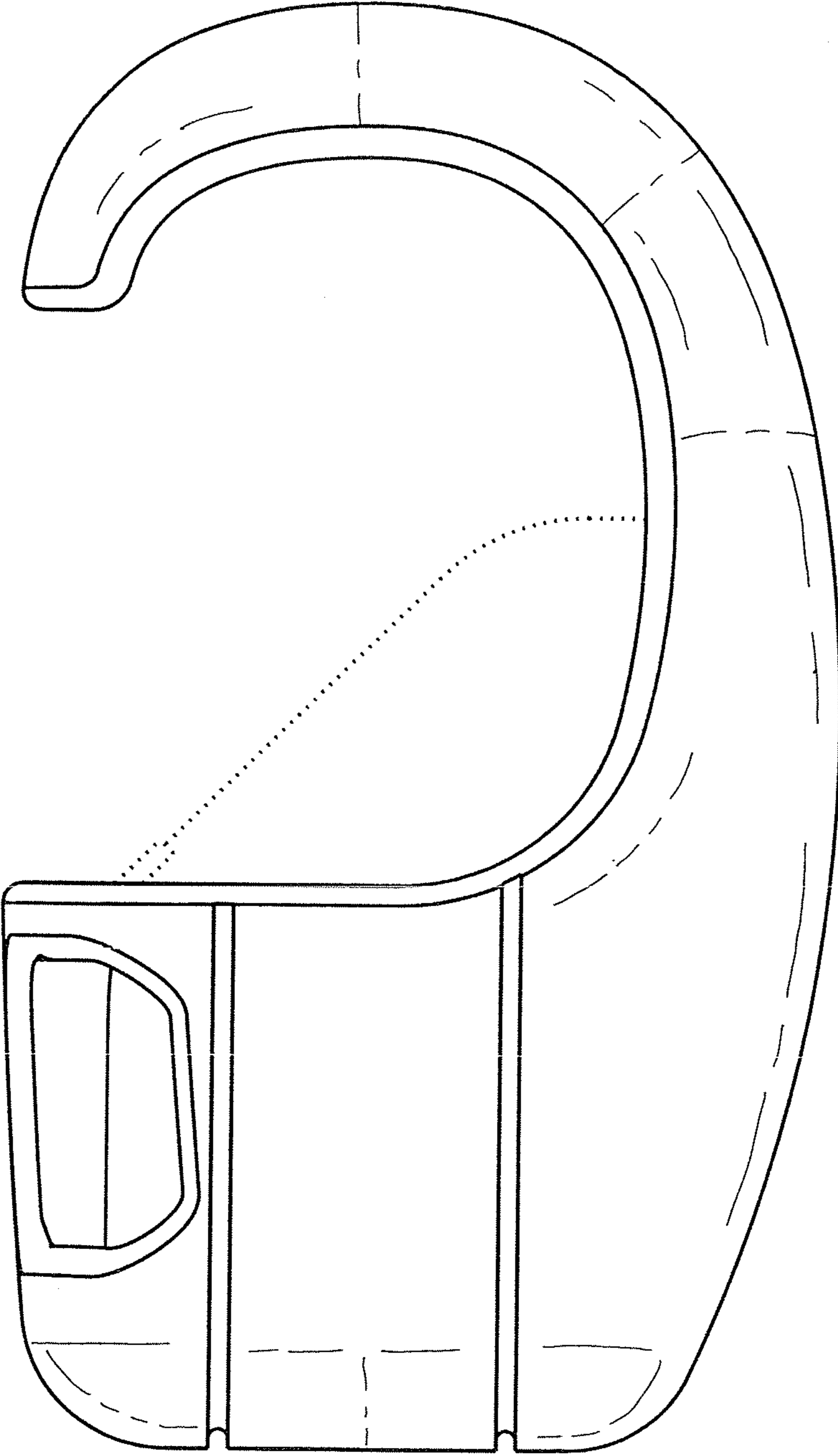


FIGURE 3

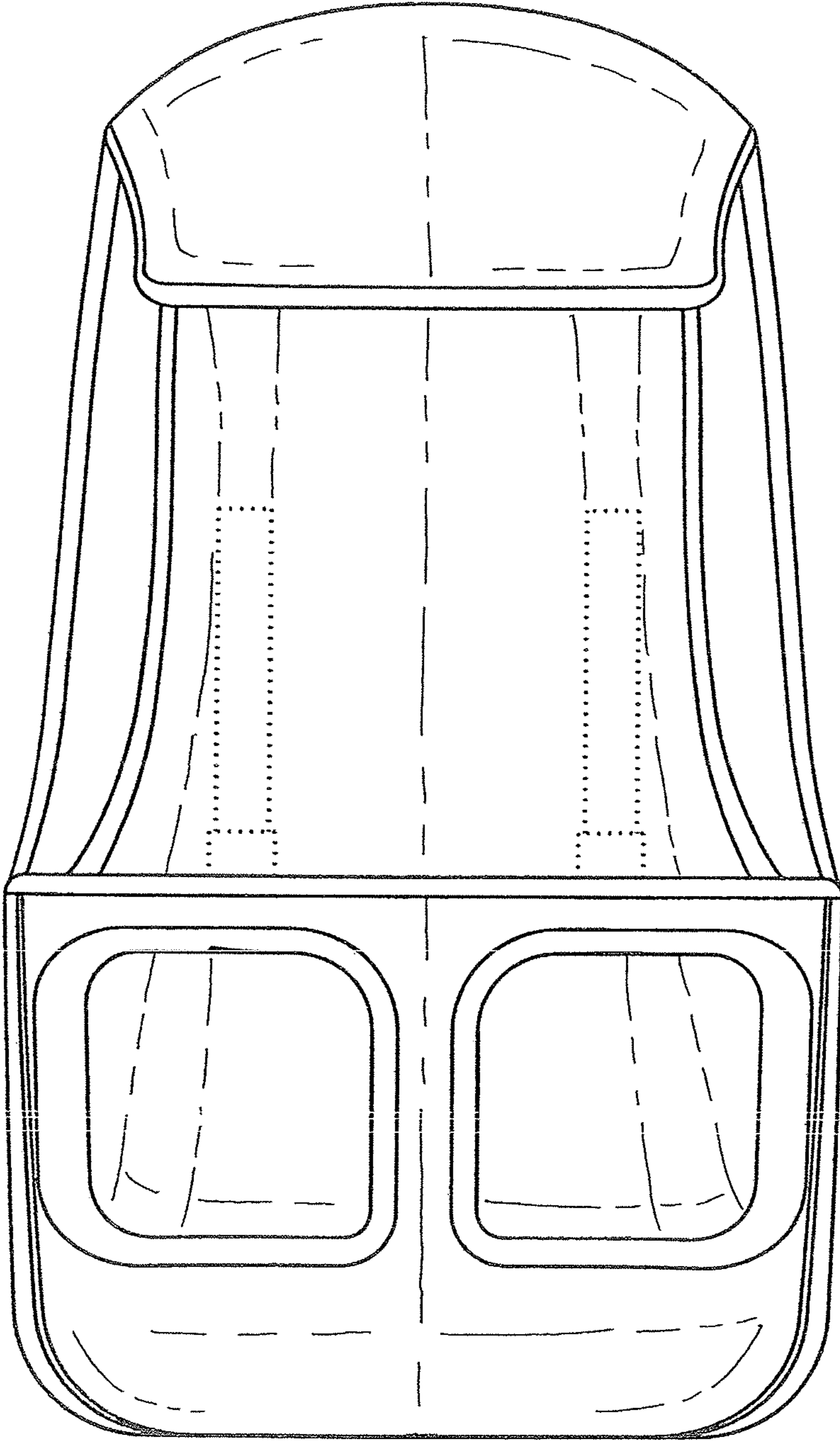


FIGURE 4

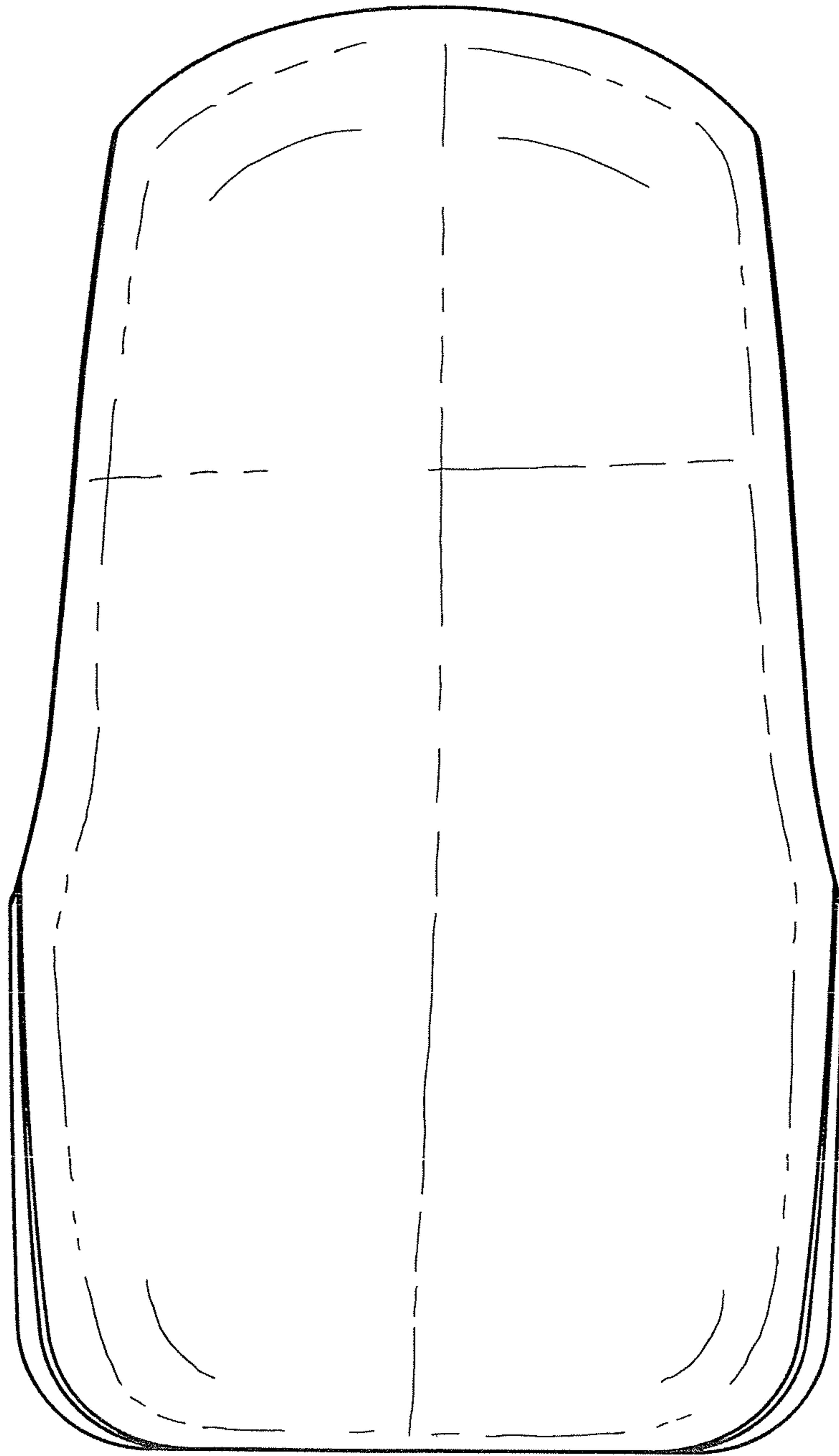


FIGURE 5

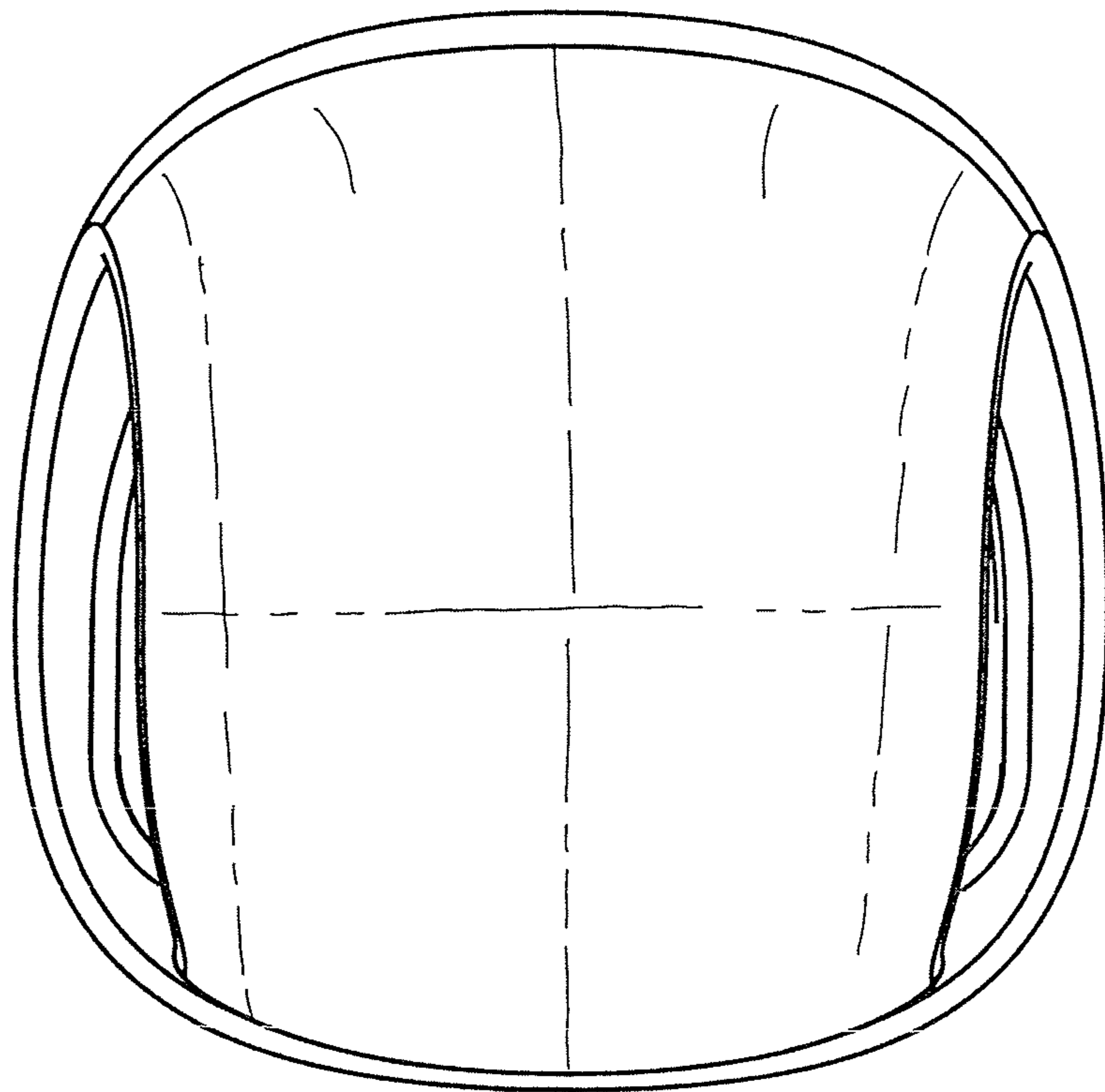


FIGURE 6



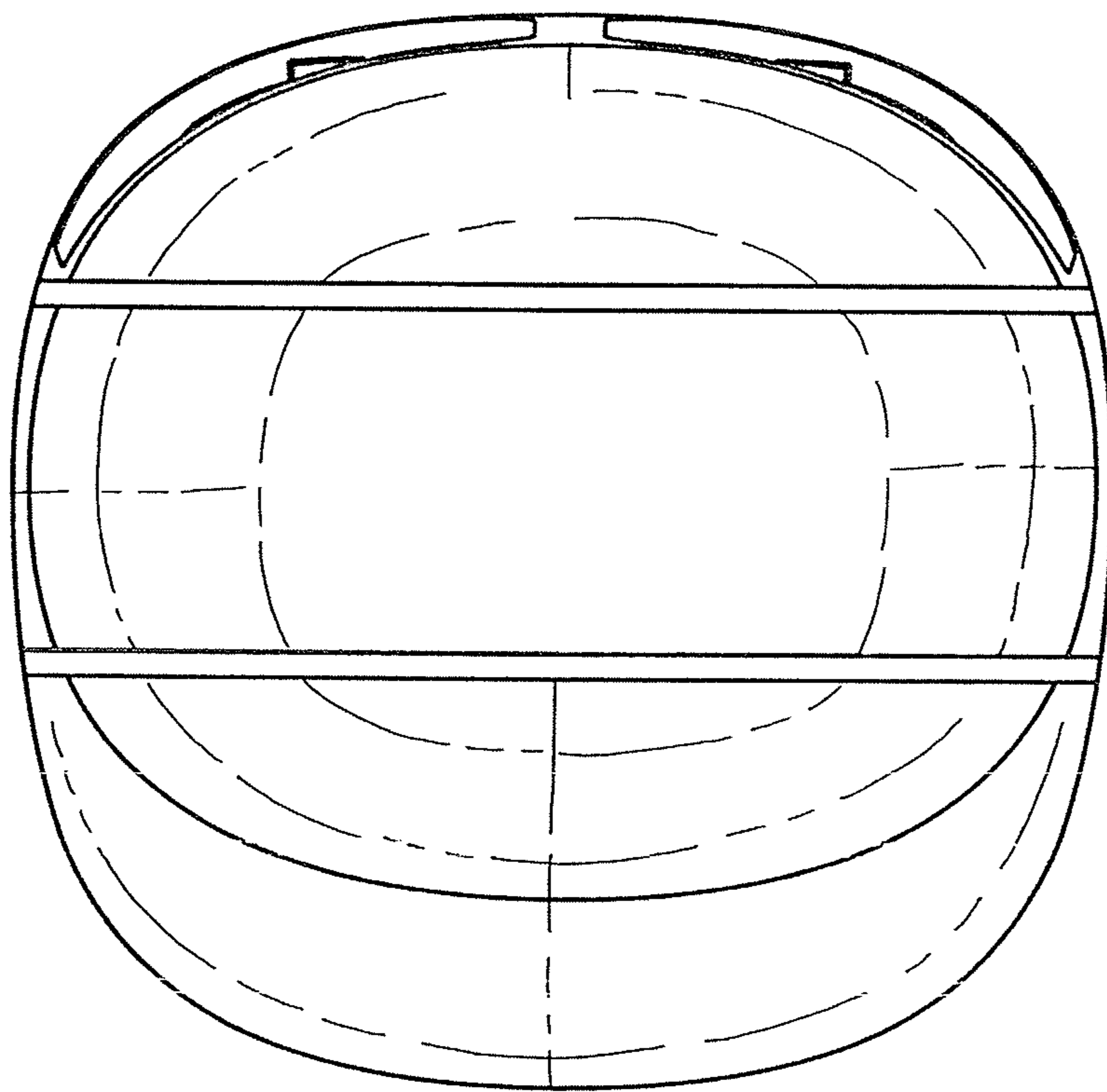


FIGURE 7