



US00D885068S

(12) **United States Design Patent** (10) **Patent No.:** **US D885,068 S**
Beukema et al. (45) **Date of Patent:** **** *May 26, 2020**

- (54) **ARM FOR SEATING UNIT**
- (71) Applicant: **STEELCASE INC.**, Grand Rapids, MI (US)
- (72) Inventors: **Steven James Beukema**, Grand Rapids, MI (US); **Devon Robert Robinson**, Ann Arbor, MI (US)
- (73) Assignee: **Steelcase Inc.**, Grand Rapids, MI (US)
- (*) Notice: This patent is subject to a terminal disclaimer.
- (**) Term: **15 Years**
- (21) Appl. No.: **29/680,105**
- (22) Filed: **Feb. 13, 2019**

Related U.S. Application Data

- (60) Division of application No. 29/632,057, filed on Jan. 4, 2018, now Pat. No. Des. 845,655, which is a continuation of application No. 29/582,636, filed on Oct. 28, 2016, now Pat. No. Des. 810,449.
- (51) **LOC (12) Cl.** **06-01**
- (52) **U.S. Cl.**
USPC **D6/334; D6/716.2**
- (58) **Field of Classification Search**
USPC D6/334, 335, 336, 360, 361, 367, 368, D6/371-375, 379-381, 716, 716.1-716.8
CPC A47C 7/00; A47C 7/62; A47C 7/18; A47C 7/54; A47C 4/00; A47C 4/028; A47C 4/28; A47C 3/16; A47C 3/04; A47C 3/12; A47C 1/02; A47C 1/14
See application file for complete search history.

(56) **References Cited**

U.S. PATENT DOCUMENTS

- D228,371 S 9/1973 Gill
- D280,051 S 8/1985 Offredi

- D320,315 S 10/1991 Totzek
- D339,246 S 9/1993 Hutton
- D382,129 S 8/1997 Lewis
- D390,029 S 2/1998 Hutton
- D431,381 S 10/2000 Roset
- D439,071 S 3/2001 D'Urso et al.

(Continued)

Primary Examiner — Deanna L Pratt

(74) *Attorney, Agent, or Firm* — Brinks Gilson & Lione

(57) **CLAIM**

The ornamental design for an arm for seating unit, as shown and described.

DESCRIPTION

FIG. 1 is a top front perspective view of a first embodiment of an arm for seating unit of the present design, shown with one potential environment;

FIG. 2 is a front perspective view thereof;

FIG. 3 is a top, right-side perspective view thereof;

FIG. 4 is a right side elevation view thereof;

FIG. 5 is a top front perspective view of a second embodiment of an arm for seating unit of the present design;

FIG. 6 is a front elevation view thereof;

FIG. 7 is a left side elevation view thereof;

FIG. 8 is a right side elevation view thereof;

FIG. 9 is a rear elevation view thereof;

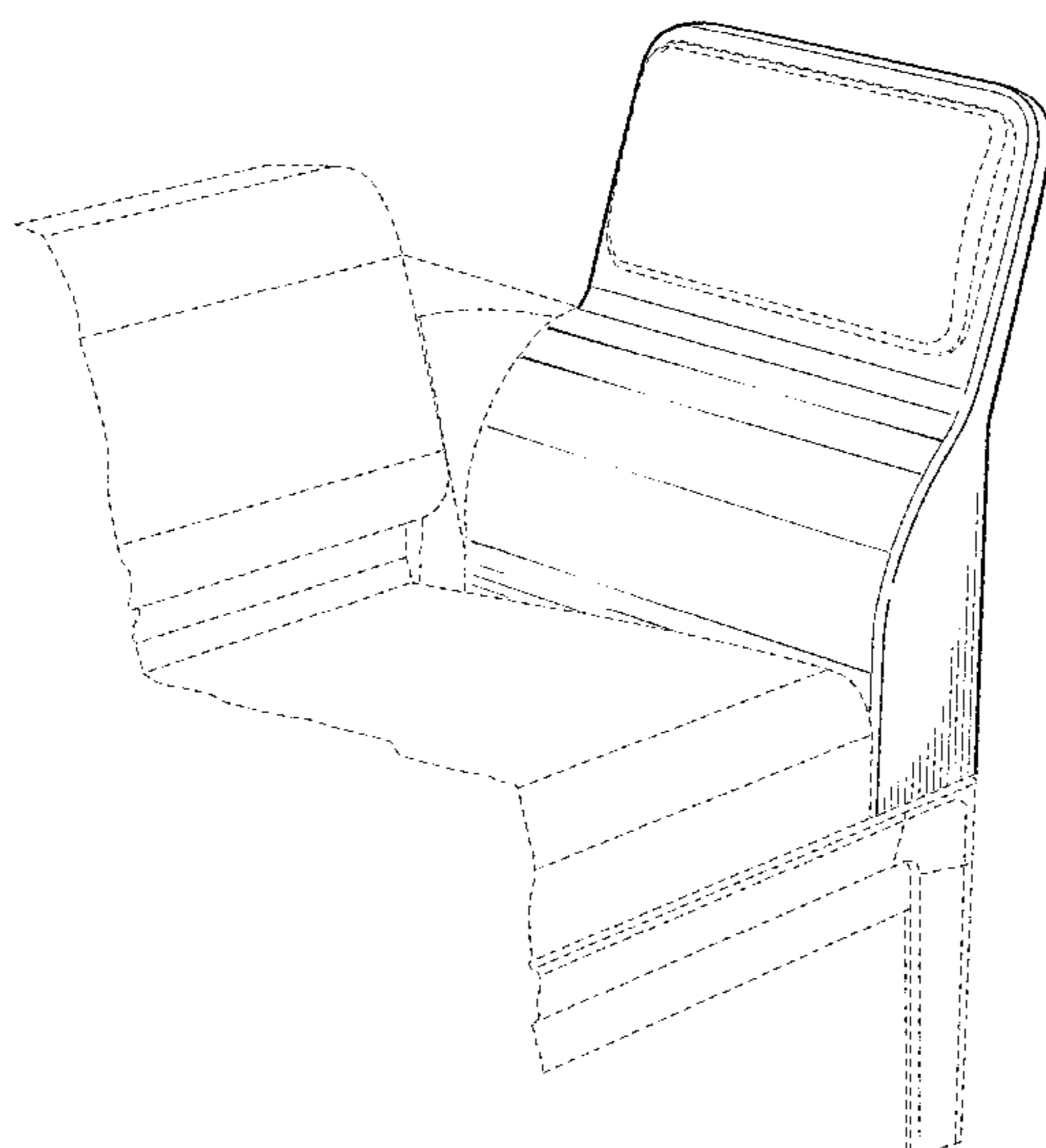
FIG. 10 is a top plan view thereof;

FIG. 11 is a bottom plan view thereof; and,

FIG. 12 is a bottom rear perspective view thereof.

Interior surfaces and other portions of the arm for seating unit not shown in the illustrated drawings, including the bottom, form no part of the claimed design. Uniform broken lines show environmental structure that forms no part of the claimed design, while the dash-dot-dash phantom lines of FIGS. 5-12 illustrate a symbolic break in the length of the arm for seating unit design, such that the portion between those phantom symbolic break lines forms no part of the claimed design.

1 Claim, 9 Drawing Sheets



(56)

References Cited

U.S. PATENT DOCUMENTS

D441,978 S	5/2001	Hutton	
D444,305 S	7/2001	Mourgue	
D446,961 S	8/2001	Natuzzi et al.	
D465,667 S	11/2002	Hoffmann	
D498,070 S	11/2004	Sauer	
D519,743 S	5/2006	Suzuki et al.	
D557,532 S	12/2007	True et al.	
D559,594 S	1/2008	Loudon	
D569,648 S	5/2008	Weiss	
D575,562 S	8/2008	Loudon	
D577,505 S	9/2008	Kleene et al.	
D593,765 S	6/2009	Mourgue	
D595,820 S	7/2009	Davis	
D615,317 S	5/2010	Andersen	
D629,221 S	12/2010	Starck	
D640,481 S	6/2011	Bush	
D643,226 S	8/2011	Kanthasamy	
D648,565 S	11/2011	Frinier	
D660,043 S	5/2012	Nguyen	
D662,733 S	7/2012	Metcalf et al.	
D677,491 S	3/2013	Joly	
D688,484 S	8/2013	Starck	
D698,564 S	2/2014	Behar et al.	
D727,648 S	4/2015	De'Silva	
D728,983 S	5/2015	Schweikarth	
D731,835 S	6/2015	Schweikarth	
D743,726 S	11/2015	Yeh	
D810,449 S	2/2018	Beukema et al.	
D845,655 S *	4/2019	Beukema	D6/334
2018/0116409 A1	5/2018	Remelts et al.	

* cited by examiner

Fig. 1

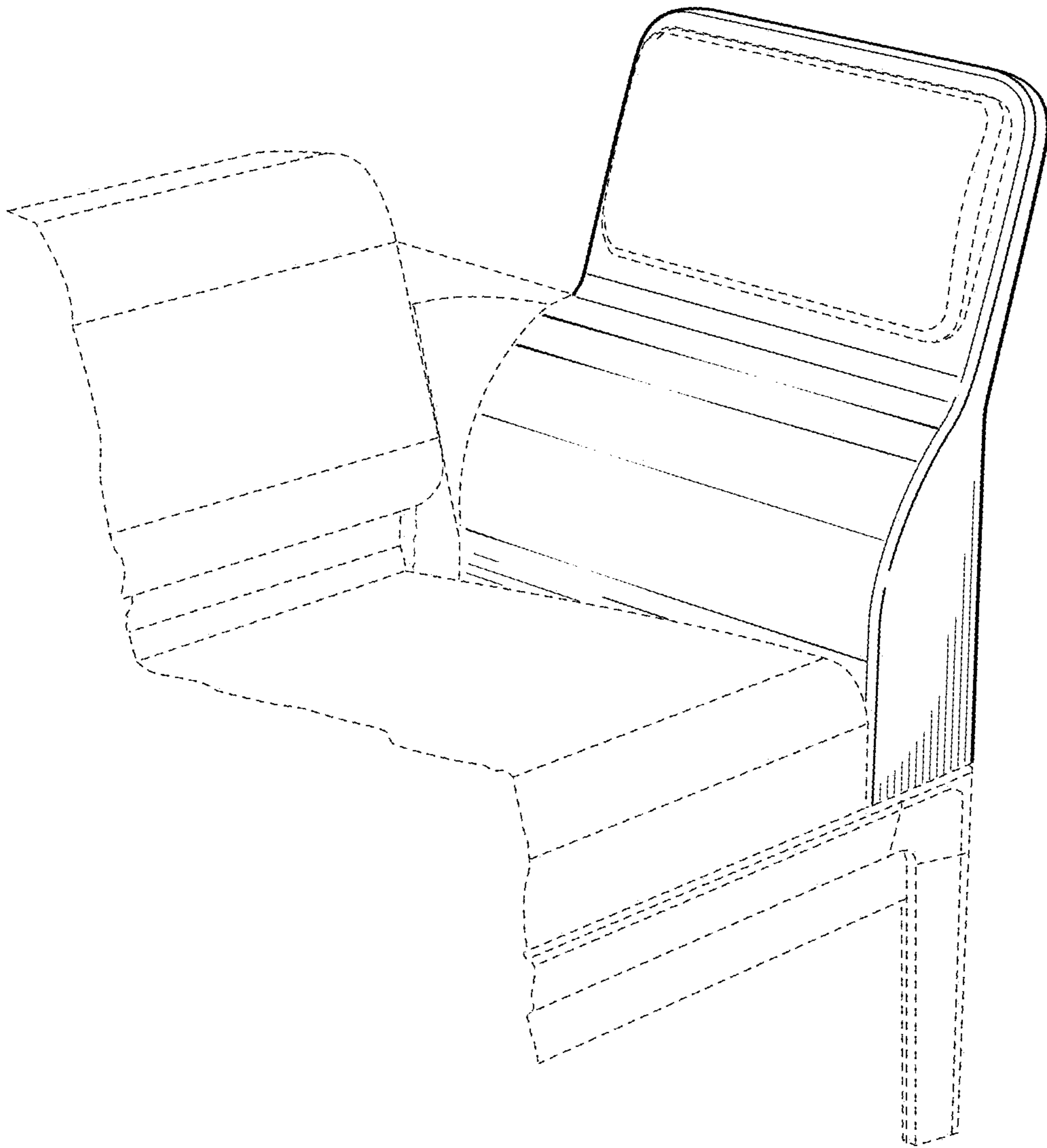


Fig. 2

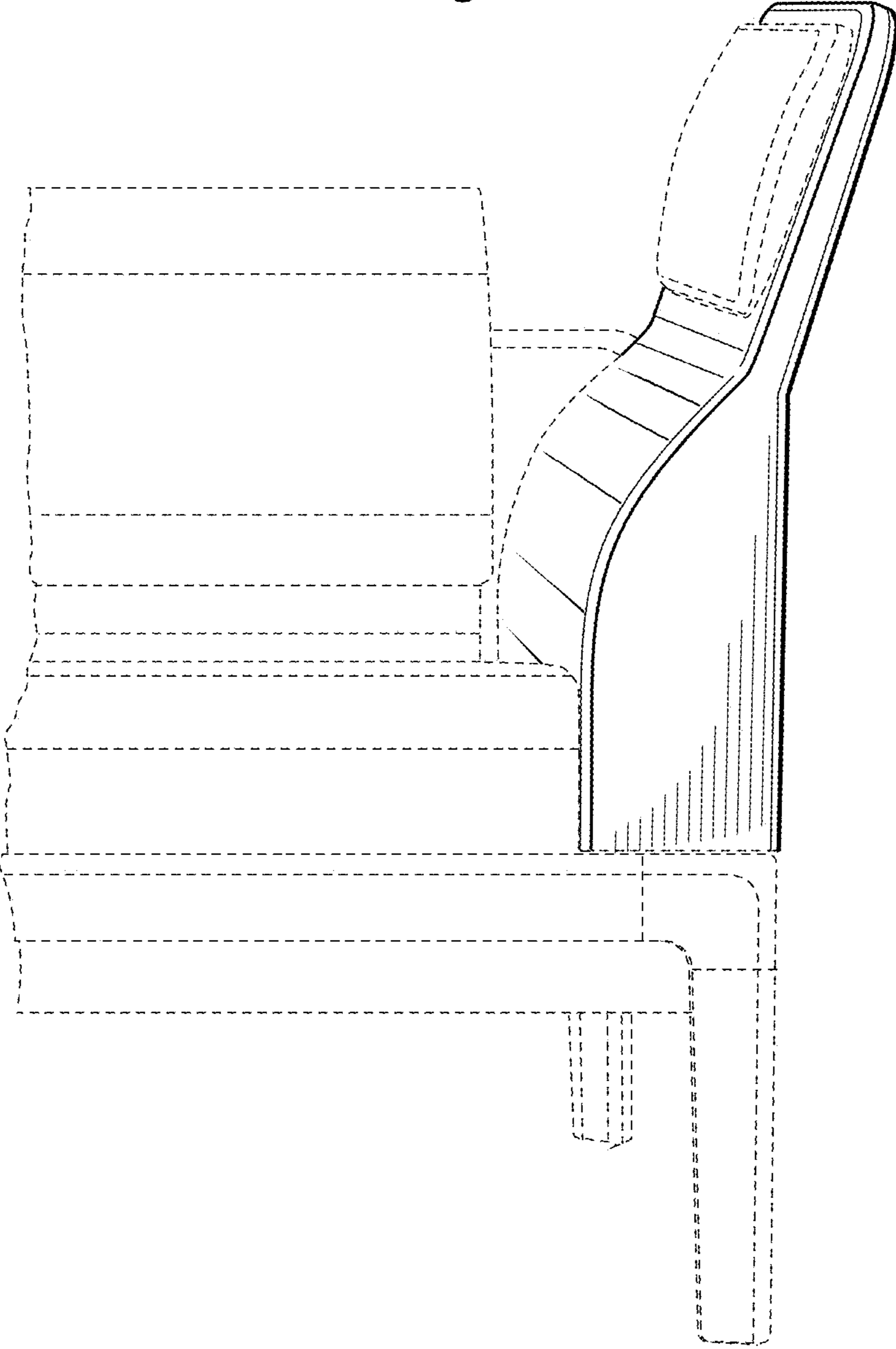


Fig. 3

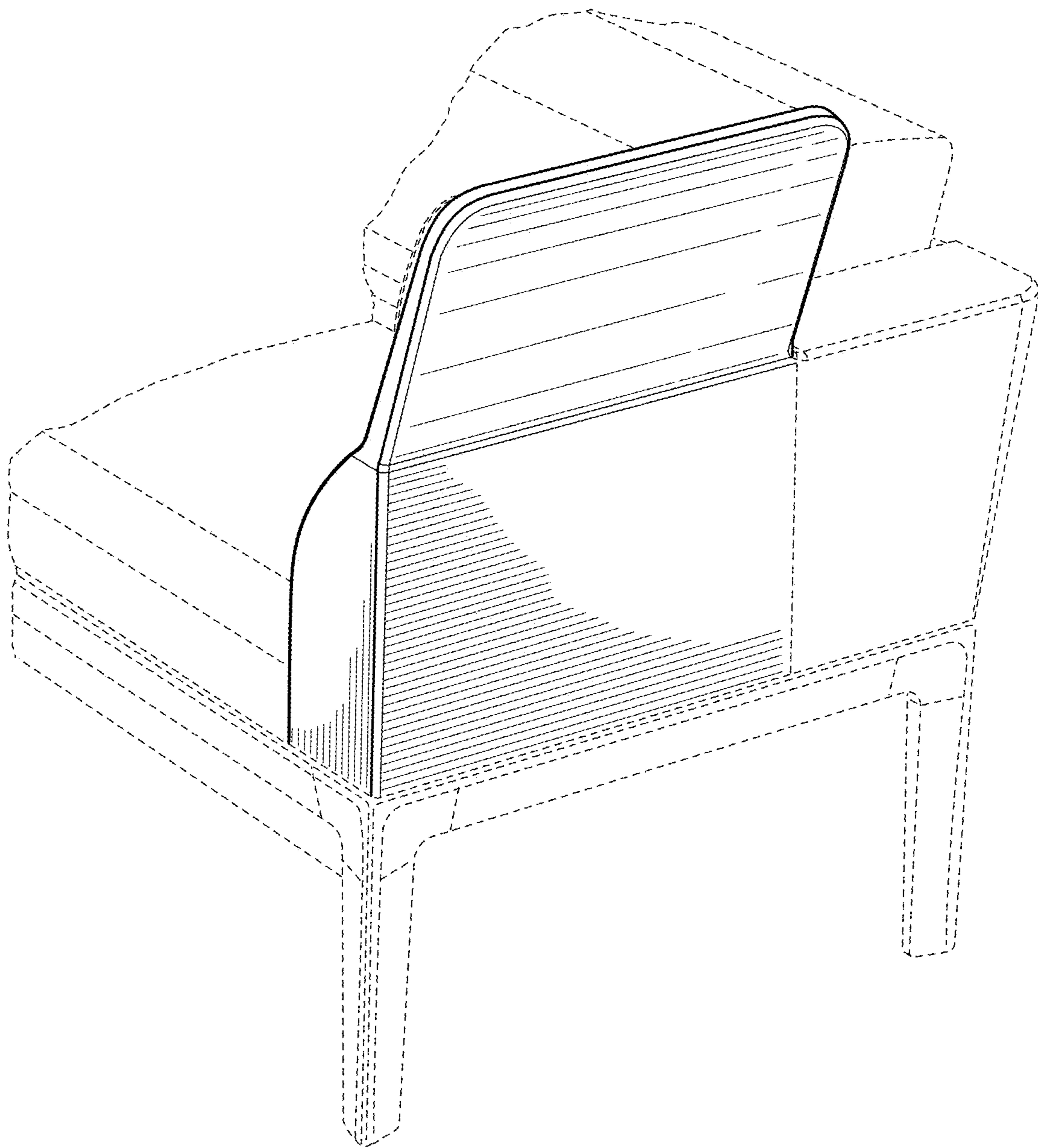


Fig. 4

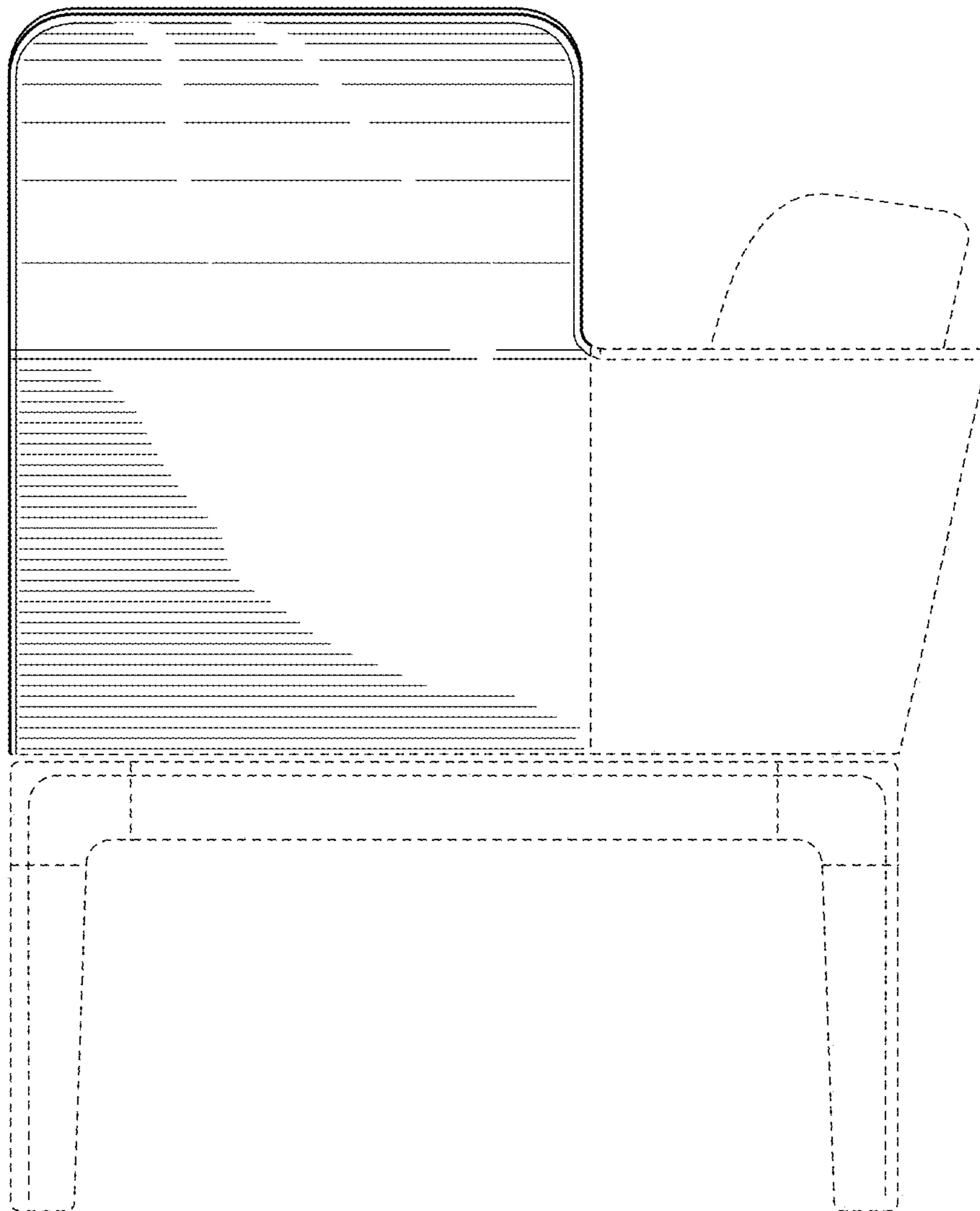


Fig. 5

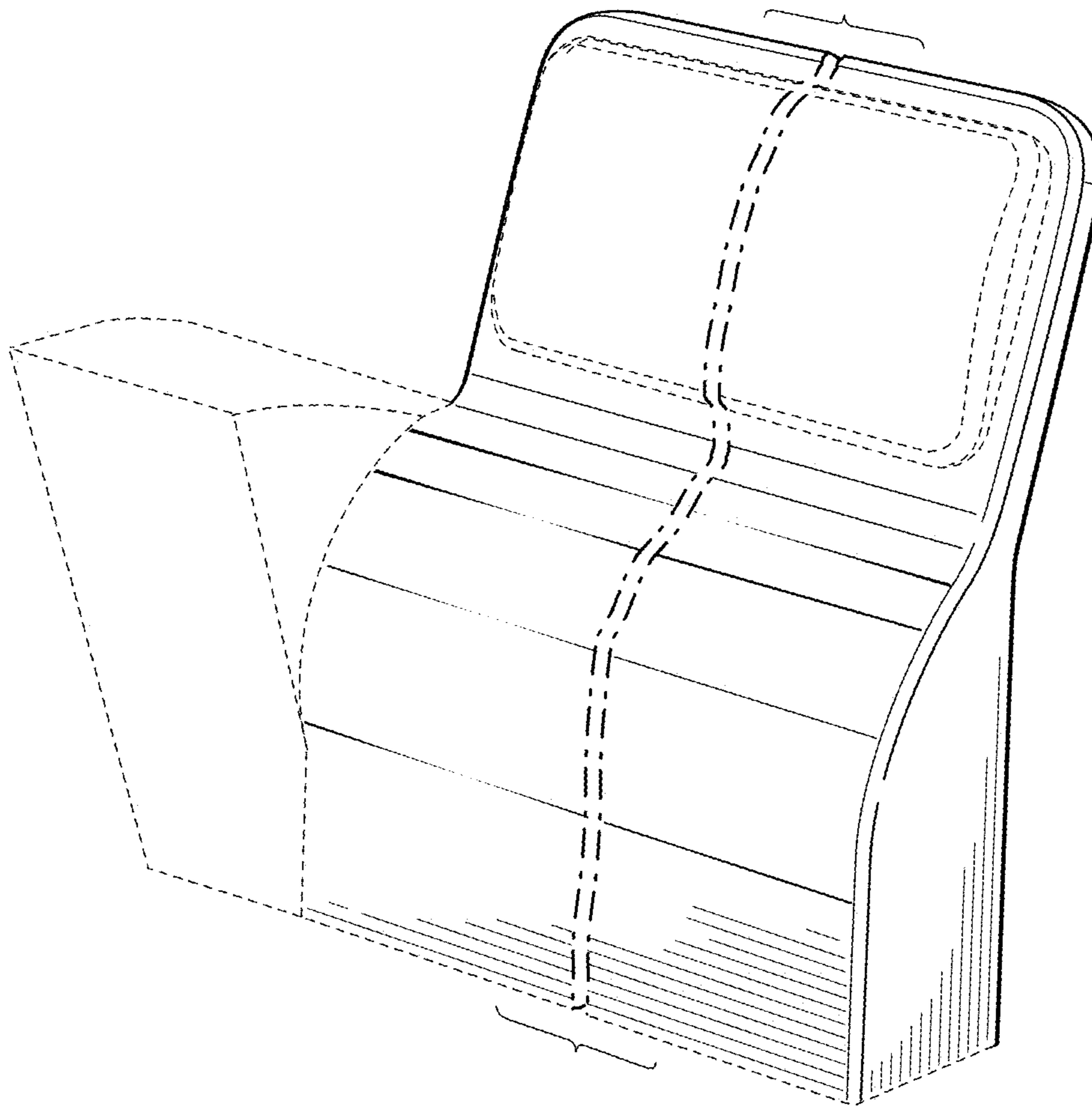


Fig. 6

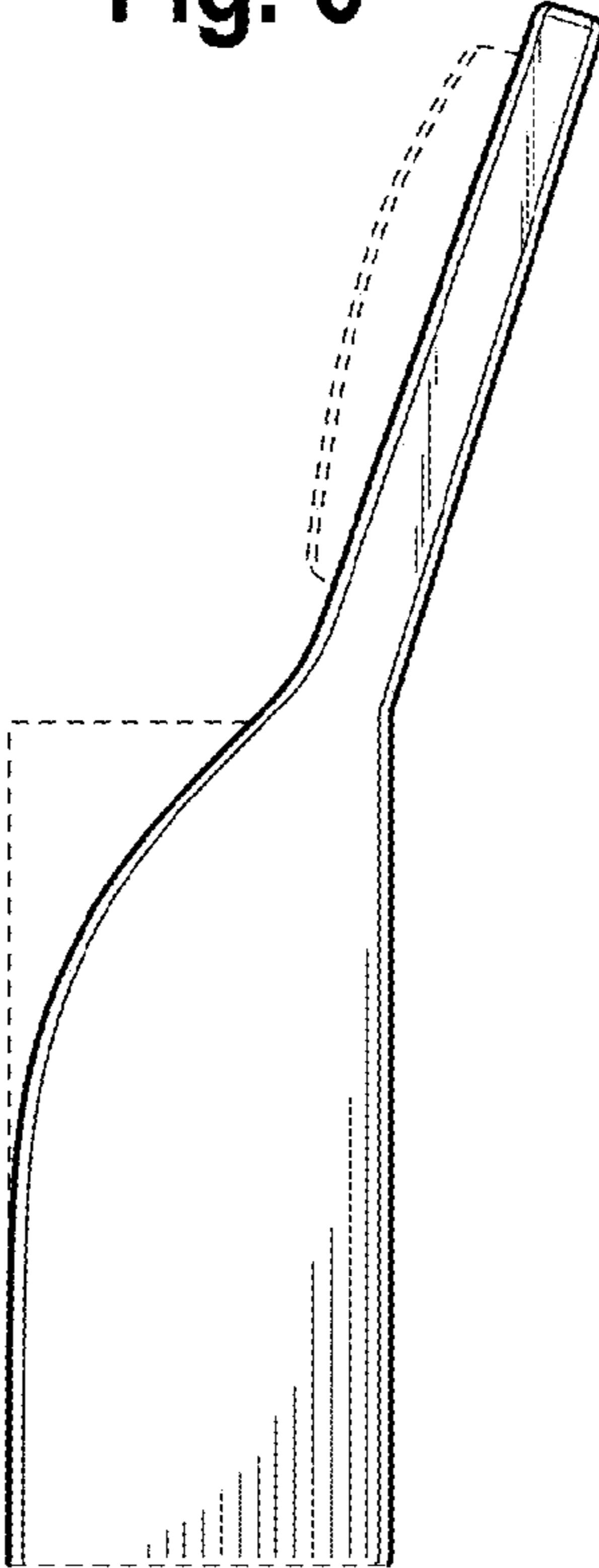
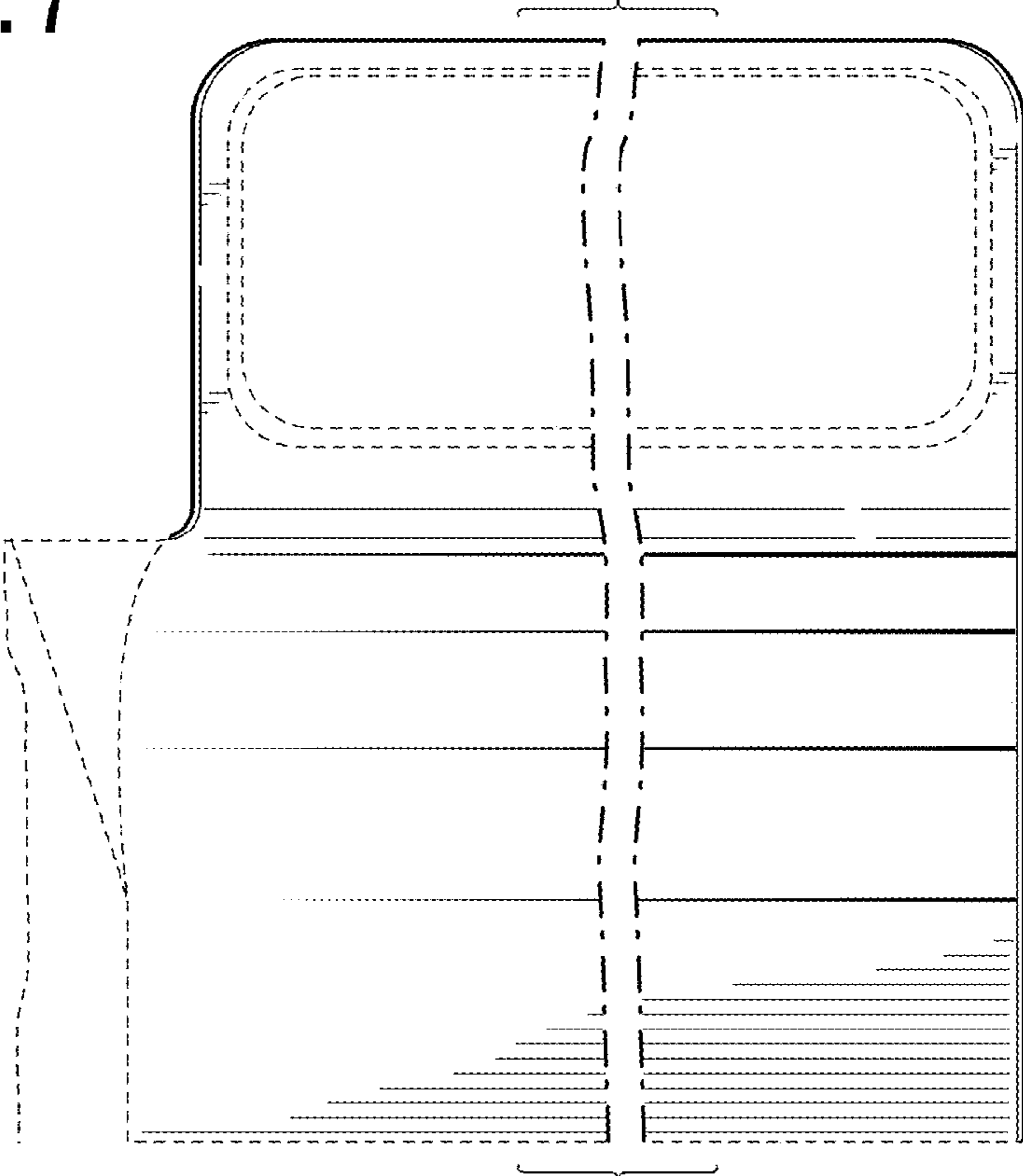


Fig. 7



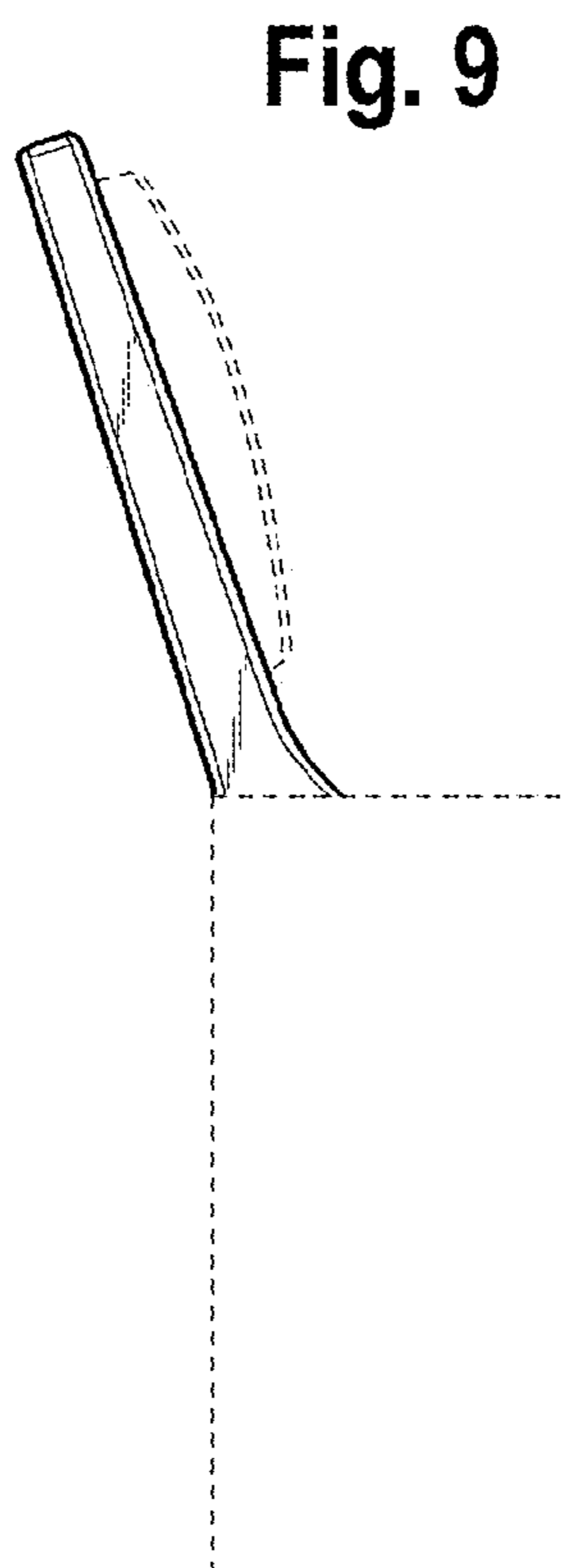
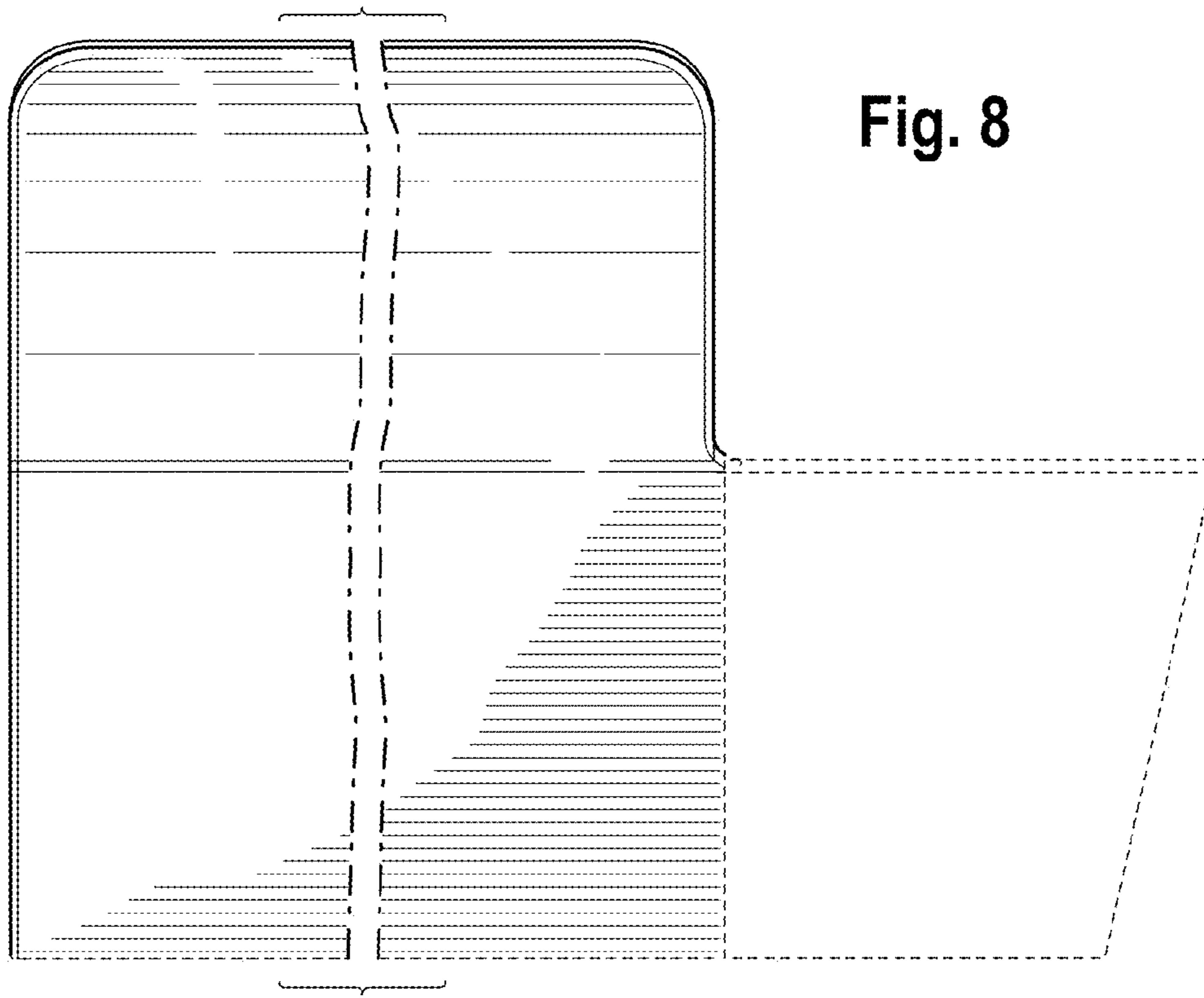


Fig. 10

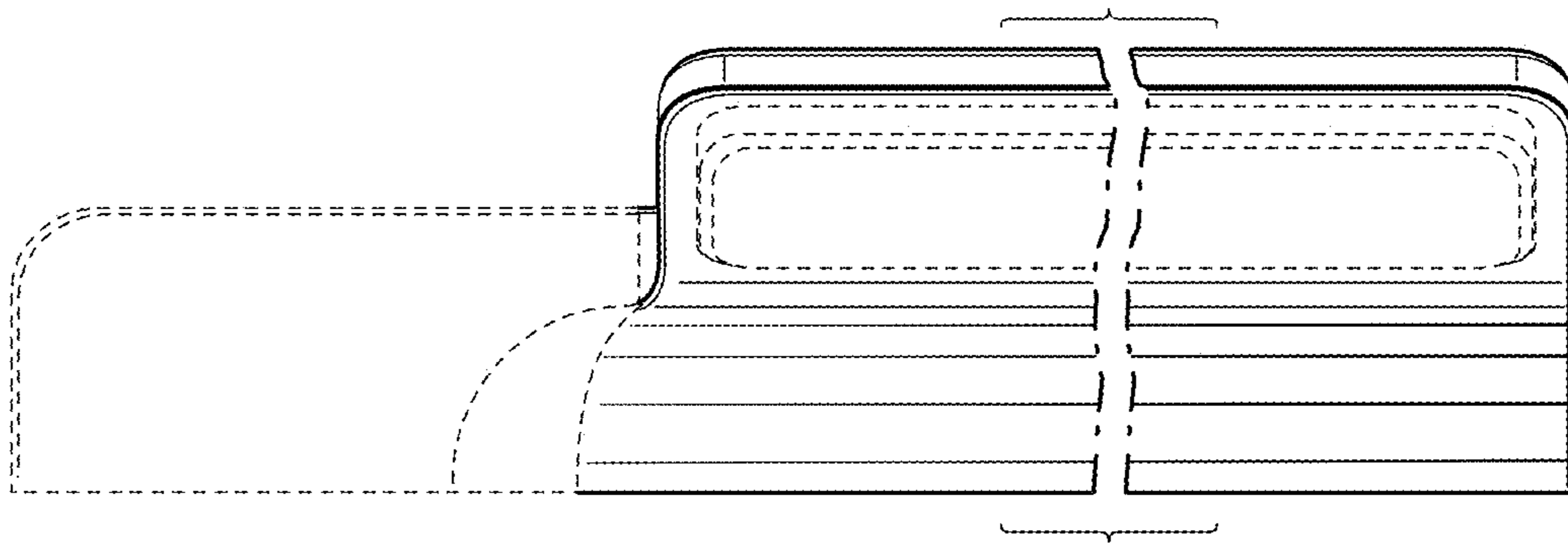


Fig. 11

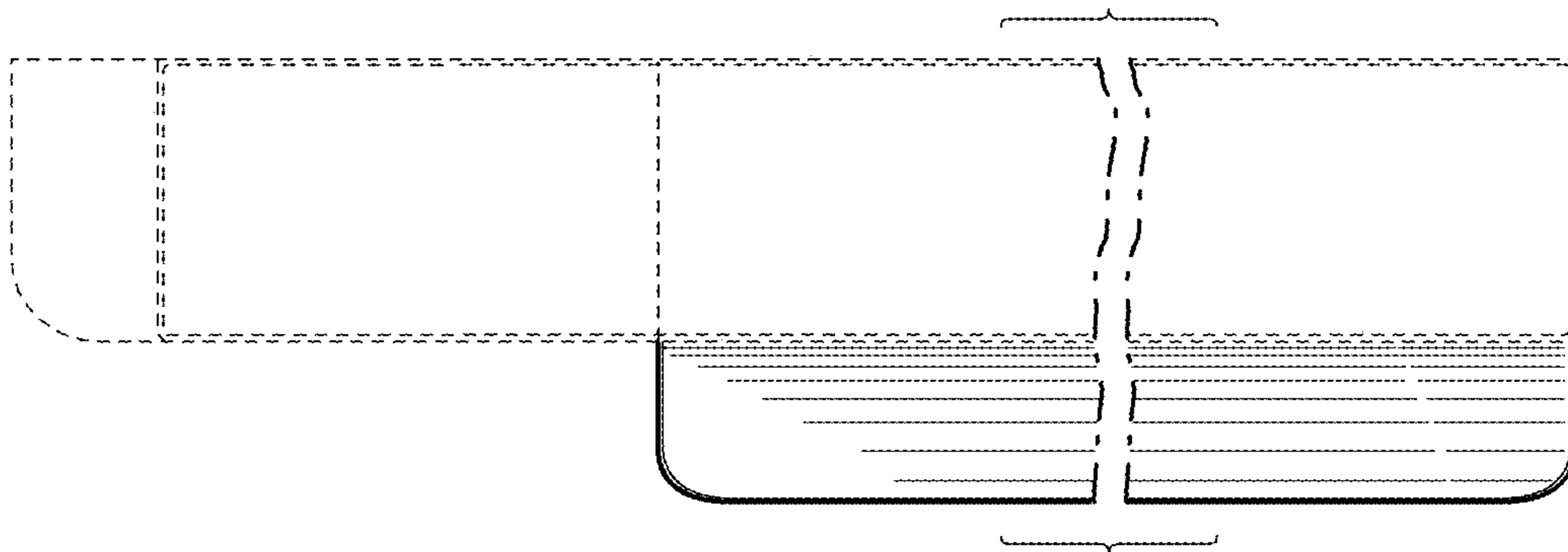


Fig. 12

