



US00D885062S

(12) **United States Design Patent**  
**Djalali et al.**

(10) **Patent No.:** **US D885,062 S**

(45) **Date of Patent:** **\*\* \*May 26, 2020**

- (54) **SIDE BRUSH**
- (71) Applicants: **Shahin Fathi Djalali**, San Francisco, CA (US); **Ali Ebrahimi Afrouzi**, San Jose, CA (US)
- (72) Inventors: **Shahin Fathi Djalali**, San Francisco, CA (US); **Ali Ebrahimi Afrouzi**, San Jose, CA (US)
- (73) Assignee: **AI Incorporated**, Toronto (CA)
- (\*) Notice: This patent is subject to a terminal disclaimer.
- (\*\*) Term: **15 Years**
- (21) Appl. No.: **29/627,473**
- (22) Filed: **Nov. 28, 2017**
- (51) **LOC (12) Cl.** ..... **04-02**
- (52) **U.S. Cl.**  
USPC ..... **D4/102**
- (58) **Field of Classification Search**  
USPC ..... D4/100, 102, 109, 110, 118, 137, 138; D23/377; D32/25, 26, 31, 32; 15/32, 15/41.1, 49.1, 50.3, 52.1, 53.2, 54, 55, 15/98, 78, 79.2, 87, 88.3, 179, 180, 184  
CPC ..... A46B 5/00; A46B 13/02; A46B 13/028; A46B 13/001; A46B 13/003; A46B 13/008; A46B 2200/30; A46B 2200/3026; A46B 2200/3066; A46B 2200/405; A46B 9/00; A46B 9/12; A46B 9/028; A46B 7/08; A46B 7/10; A47L 11/00; A47L 11/02; A47L 11/04; A47L 11/32; A47L 2210/00

See application file for complete search history.

(56) **References Cited**

**U.S. PATENT DOCUMENTS**

- 658,416 A \* 9/1900 Yale ..... A46B 13/001  
15/179
- 3,090,061 A \* 5/1963 Charvat ..... A46B 13/003  
15/207.2

- 3,237,232 A \* 3/1966 Holley ..... A46B 3/22  
15/159.1
- 3,978,539 A \* 9/1976 Yonkers ..... A47L 11/33  
15/42
- 4,107,809 A \* 8/1978 Schuelein ..... A47L 11/33  
15/42
- 4,534,080 A \* 8/1985 Young ..... A46B 7/04  
15/104.066
- 5,045,091 A \* 9/1991 Abrahamson ..... A46B 7/04  
15/183
- D369,447 S \* 4/1996 Mann ..... D32/19
- 5,842,250 A \* 12/1998 Zhadanov ..... A46B 7/08  
15/230.14
- 5,903,951 A \* 5/1999 Ionta ..... A46B 3/005  
15/180
- 5,951,113 A \* 9/1999 Lewis, Jr. .... A46D 3/045  
15/159.1
- 6,001,448 A \* 12/1999 Zigerlig ..... A46B 13/001  
428/67
- 7,310,851 B2 \* 12/2007 Zhadanov ..... A47L 11/164  
15/1.7

(Continued)

*Primary Examiner* — Wan Laymon  
*Assistant Examiner* — Clint A Samuel

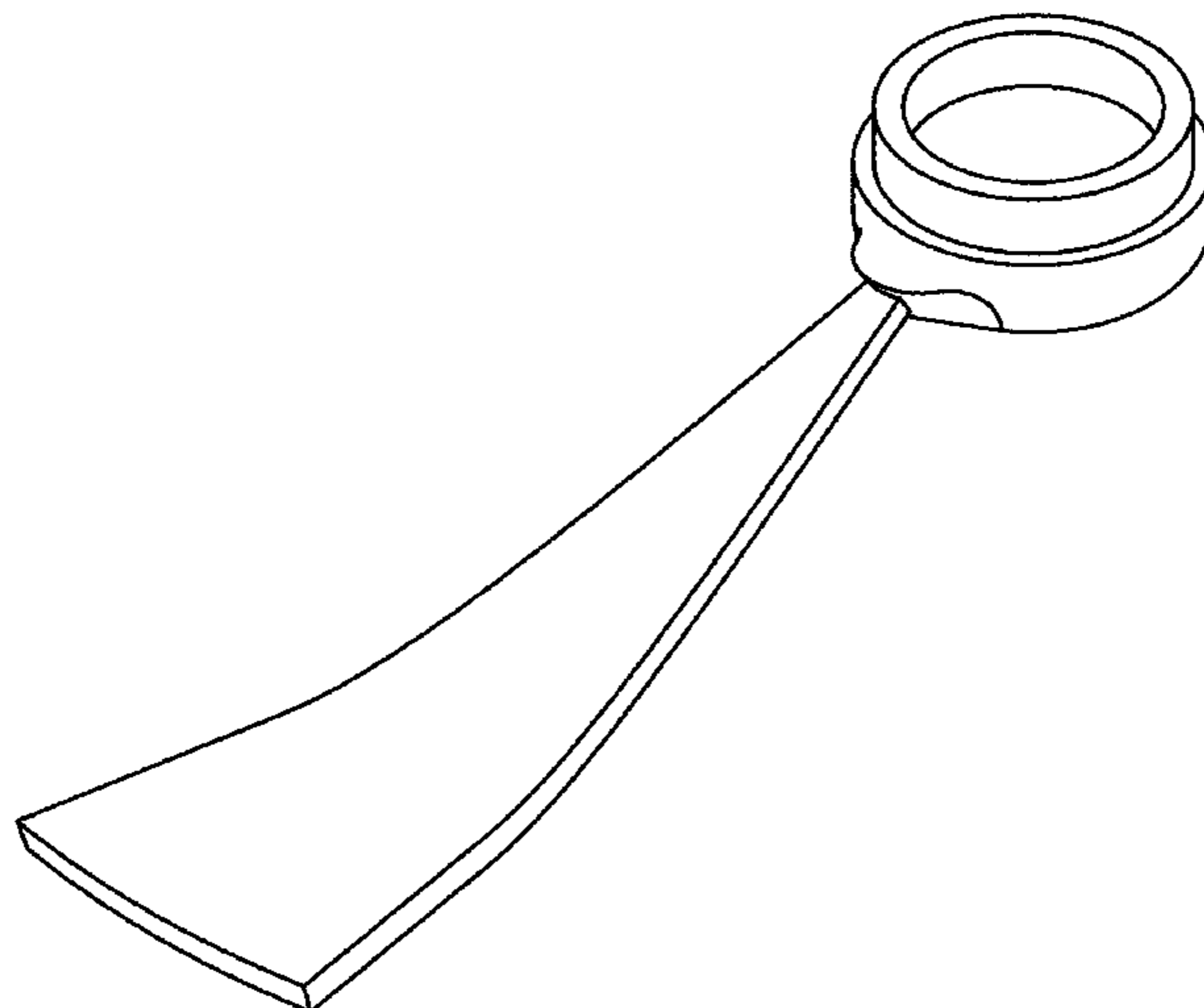
(57) **CLAIM**

The ornamental design for a side brush, as shown and described.

**DESCRIPTION**

FIG. 1 is a front elevation view of a side brush showing our new design;  
FIG. 2 is a rear view thereof;  
FIG. 3 is a side view thereof;  
FIG. 4 is a top view thereof;  
FIG. 5 is a bottom view thereof;  
FIG. 6 is an overhead perspective view thereof; and,  
FIG. 7 is a bottom perspective view thereof.

**1 Claim, 7 Drawing Sheets**



(56)

**References Cited**

U.S. PATENT DOCUMENTS

7,441,298	B2 *	10/2008	Svendsen	.....	A47L 5/30	15/49.1
D704,398	S *	5/2014	Tinius	.....	D32/16	
D716,437	S *	10/2014	Salisbury	.....	D23/377	
9,211,045	B2 *	12/2015	Li	.....	A47L 11/4058	
2004/0200024	A1 *	10/2004	Yamin	.....	B60S 3/066	15/230.16
2005/0039278	A1 *	2/2005	Riach	.....	B60B 35/003	15/87
2009/0260171	A1 *	10/2009	Sajakorpi	.....	A46B 3/08	15/180
2013/0302751	A1 *	11/2013	Maxa	.....	A46B 13/008	433/166
2013/0318733	A1 *	12/2013	Weil	.....	A46B 13/003	15/168
2014/0067116	A1 *	3/2014	Moon	.....	A47L 9/2873	700/245
2014/0101874	A1 *	4/2014	Du Maire	.....	E01H 1/053	15/87
2014/0130290	A1 *	5/2014	Jang	.....	A47L 9/108	15/319
2014/0223678	A1 *	8/2014	Chiu	.....	A47L 11/4066	15/98
2014/0352086	A1 *	12/2014	Scholten	.....	A47L 11/4013	15/21.1
2015/0342431	A1 *	12/2015	Zydek	.....	A47L 11/4038	15/366
2016/0075024	A1 *	3/2016	Ozick	.....	A47L 5/30	700/253
2016/0143496	A1 *	5/2016	Penner	.....	A47L 9/04	15/383
2016/0166052	A1 *	6/2016	Kasper	.....	A46B 13/001	15/179
2016/0193987	A1 *	7/2016	Favagrossa	.....	A46B 7/10	15/53.2
2016/0206165	A1 *	7/2016	Kim	.....	A47L 9/0444	
2016/0316982	A1 *	11/2016	Kim	.....	A47L 9/2857	
2017/0215666	A1 *	8/2017	Won	.....	A47L 5/30	
2017/0325648	A1 *	11/2017	Huang	.....	A47L 11/4038	
2017/0354303	A1 *	12/2017	Kastensson	.....	A46B 13/008	

\* cited by examiner

FIG. 1

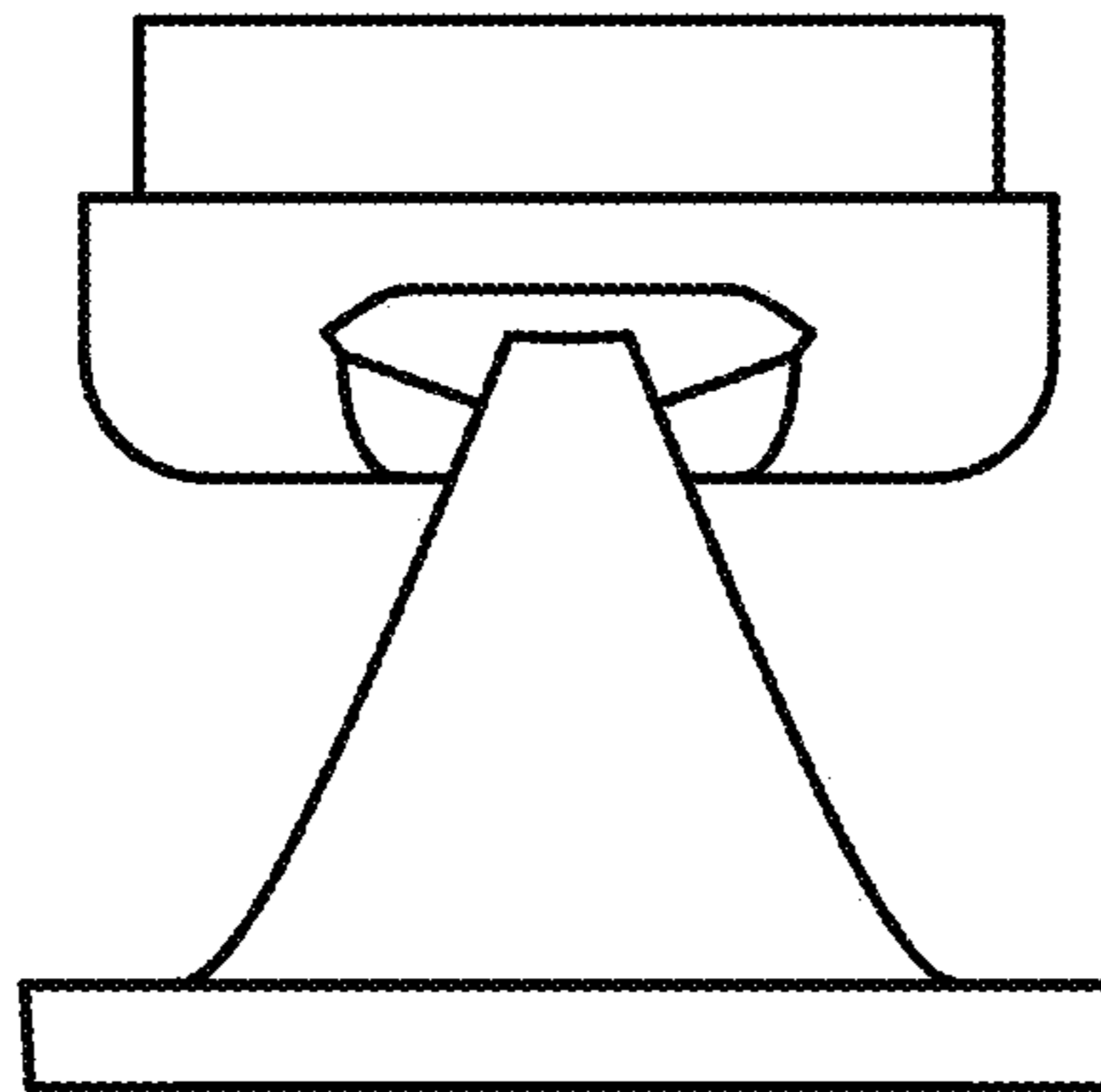


FIG. 2

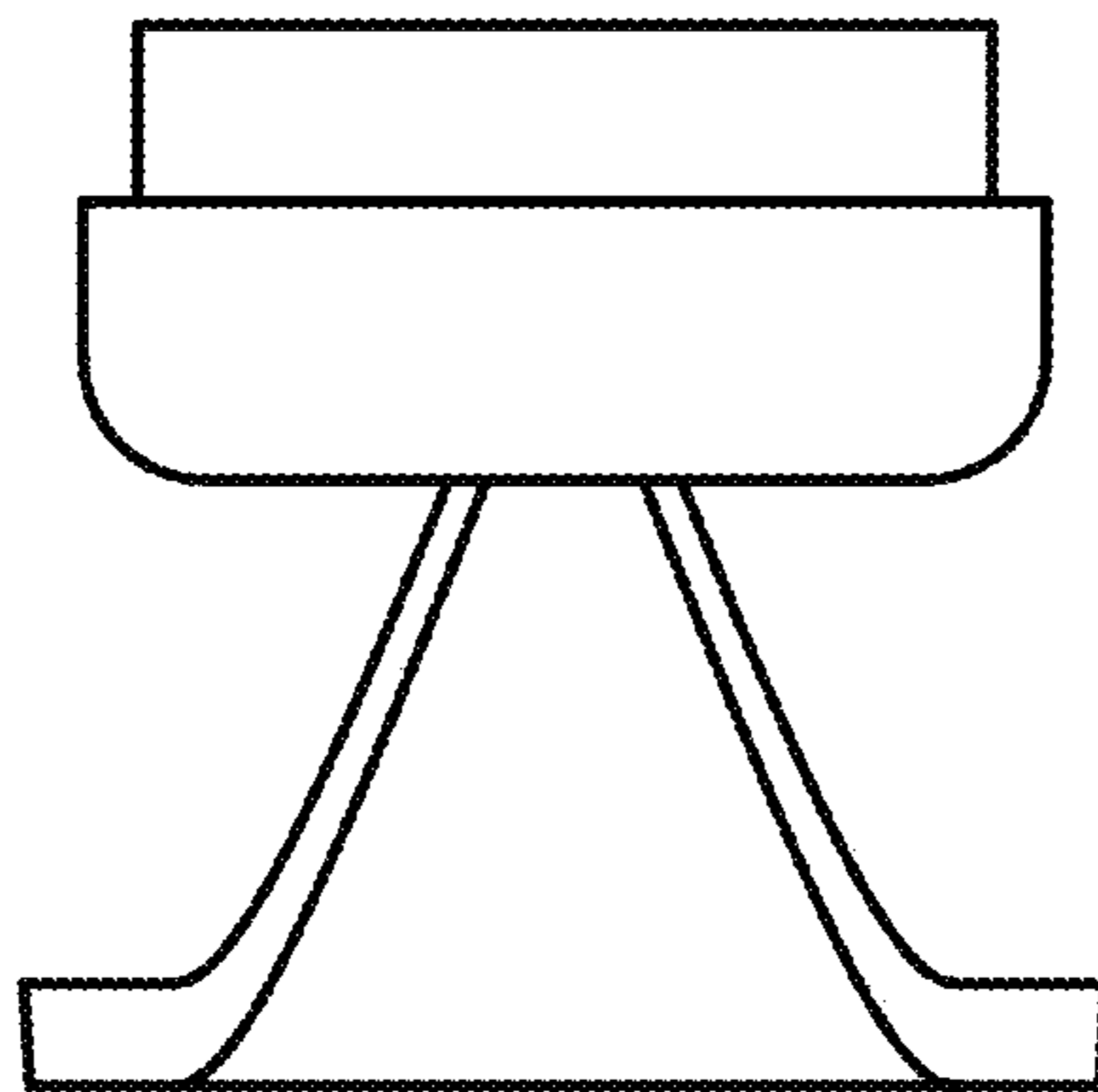


FIG. 3

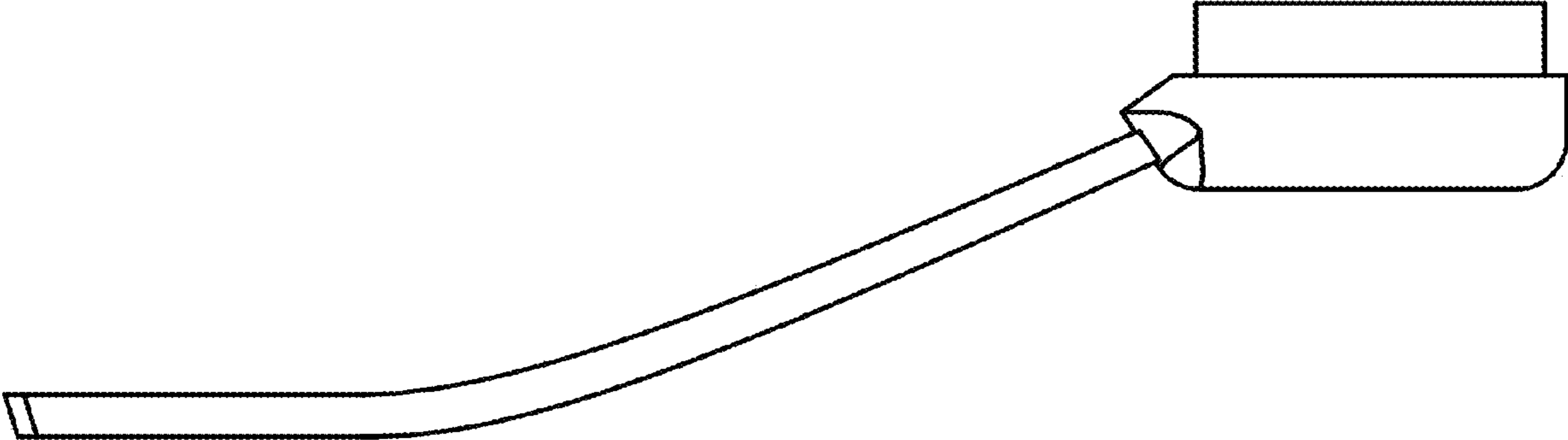


FIG. 4

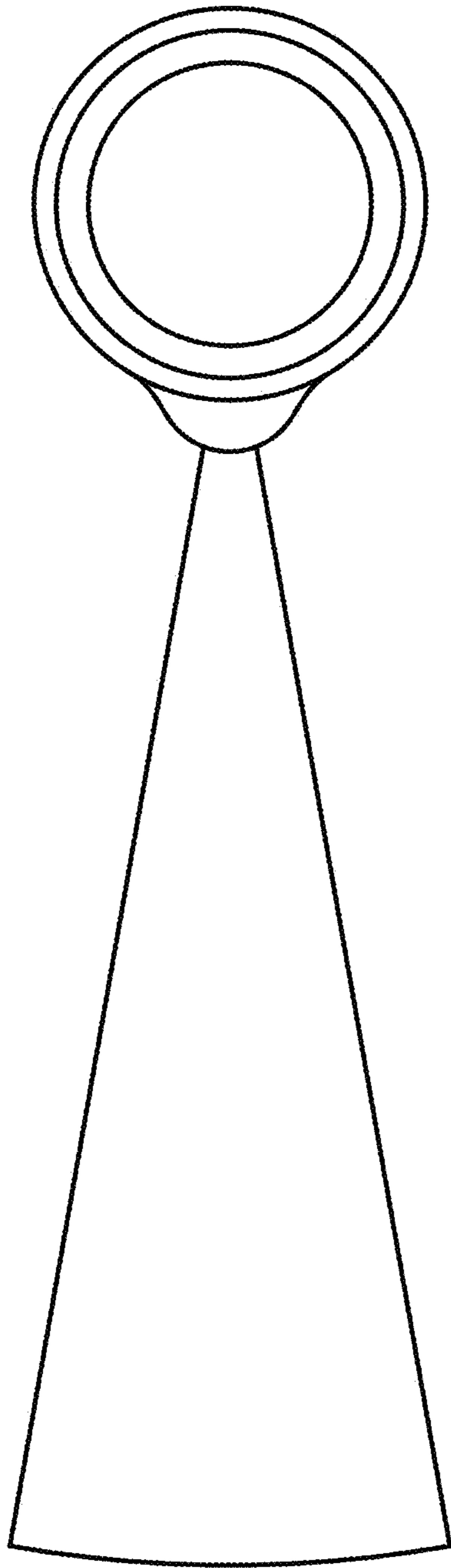


FIG. 5

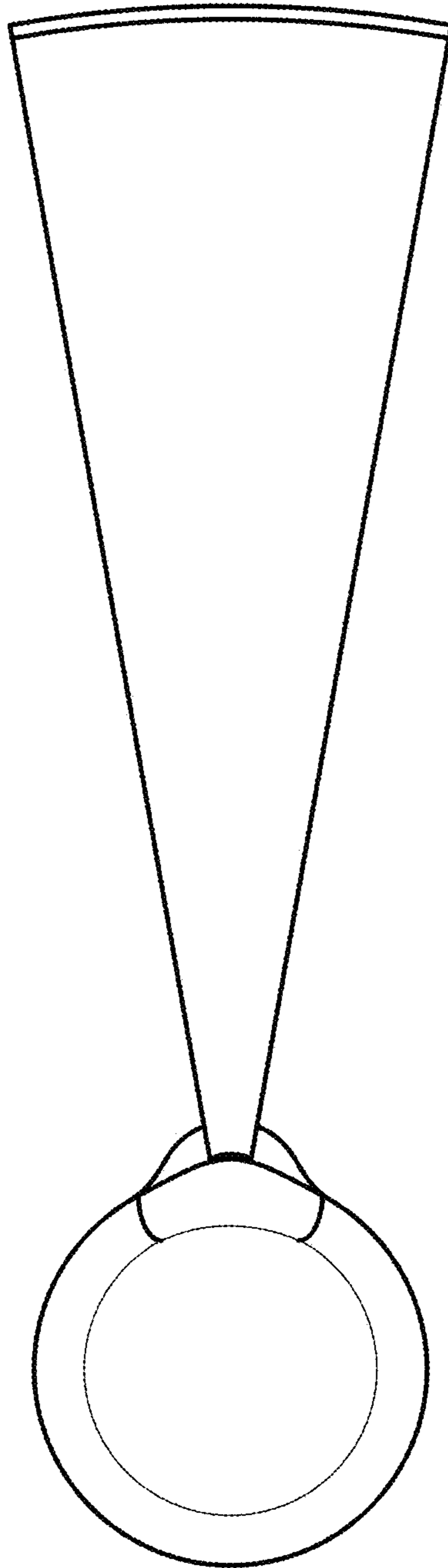


FIG. 6

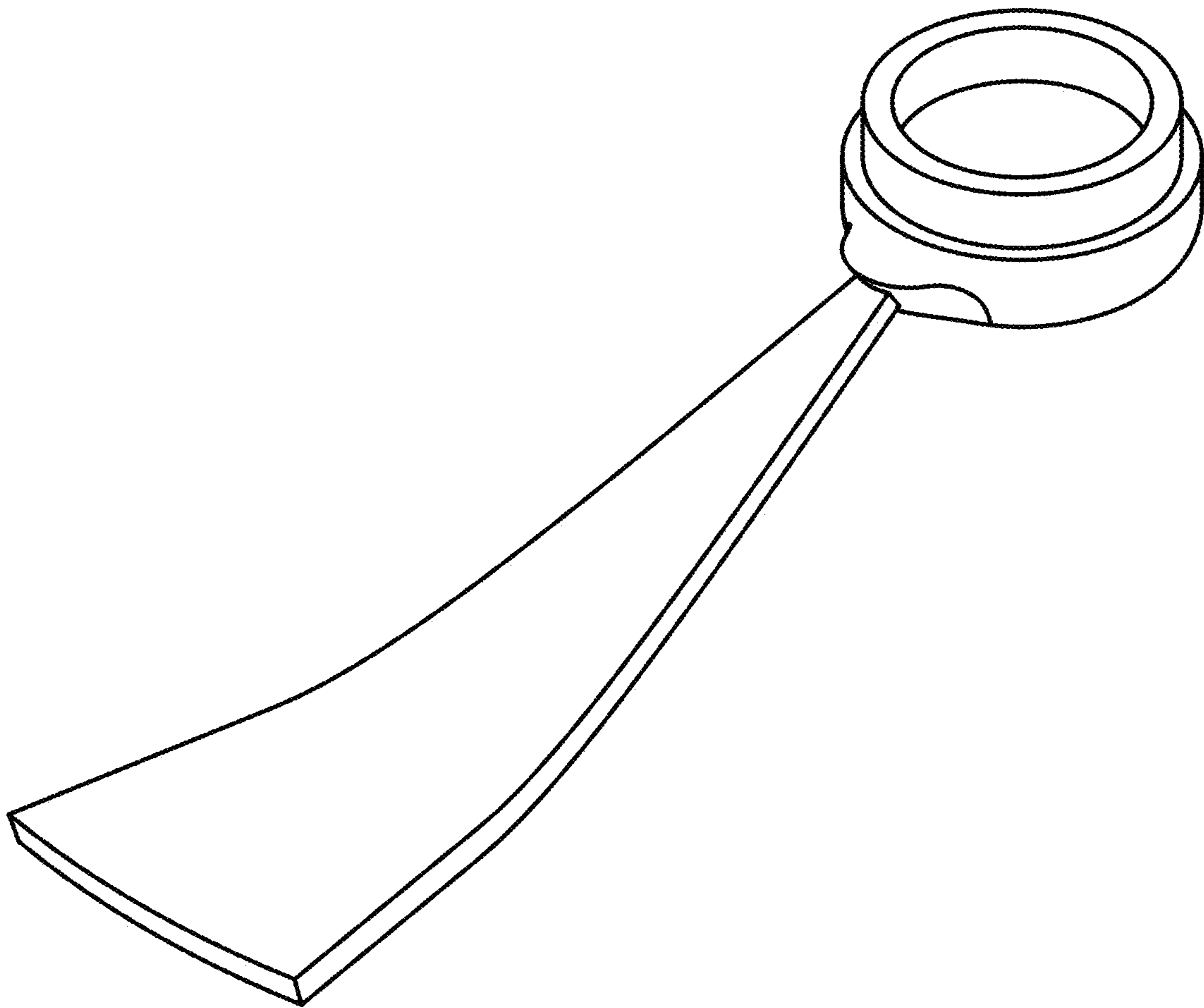




FIG. 7

