



US00D885060S

(12) **United States Design Patent** (10) **Patent No.:** **US D885,060 S**  
**Orkin** (45) **Date of Patent:** **\*\* May 26, 2020**

(54) **TOOTHBRUSH HEAD**  
(71) Applicant: **AFUW LLC**, Beverly Hills, CA (US)  
(72) Inventor: **Jared Orkin**, Los Angeles, CA (US)  
(73) Assignee: **AFUW LLC**, Beverly Hills, CA (US)  
(\*\*) Term: **15 Years**  
(21) Appl. No.: **29/671,739**  
(22) Filed: **Nov. 29, 2018**  
(51) **LOC (12) Cl.** ..... **04-02**  
(52) **U.S. Cl.**  
USPC ..... **D4/101; D4/113**  
(58) **Field of Classification Search**  
USPC ..... D4/100, 101, 102, 104, 105, 106, 107,  
D4/108; 15/167.1  
CPC . A46B 2200/1066; A46B 9/04; A61C 17/222;  
A61C 17/24; A61C 17/26  
See application file for complete search history.

8,671,493 B2 \* 3/2014 Hilscher ..... A61C 17/22  
15/22.1  
D706,033 S \* 6/2014 Dickie ..... D4/101  
8,813,292 B2 \* 8/2014 Driesen ..... A46B 9/028  
15/28  
9,364,303 B2 \* 6/2016 Driesen ..... A61C 17/3436  
D824,174 S 7/2018 Altmann et al.  
10,123,609 B2 \* 11/2018 Dishon ..... A61C 17/222  
D838,990 S \* 1/2019 Liu ..... D4/101  
10,179,037 B2 \* 1/2019 Dai ..... A61C 17/26  
D846,881 S \* 4/2019 Altmann ..... D4/101  
D854,834 S \* 7/2019 Altmann ..... D4/101  
D863,772 S \* 10/2019 Hu ..... D4/101  
D863,773 S \* 10/2019 Hu ..... D4/101

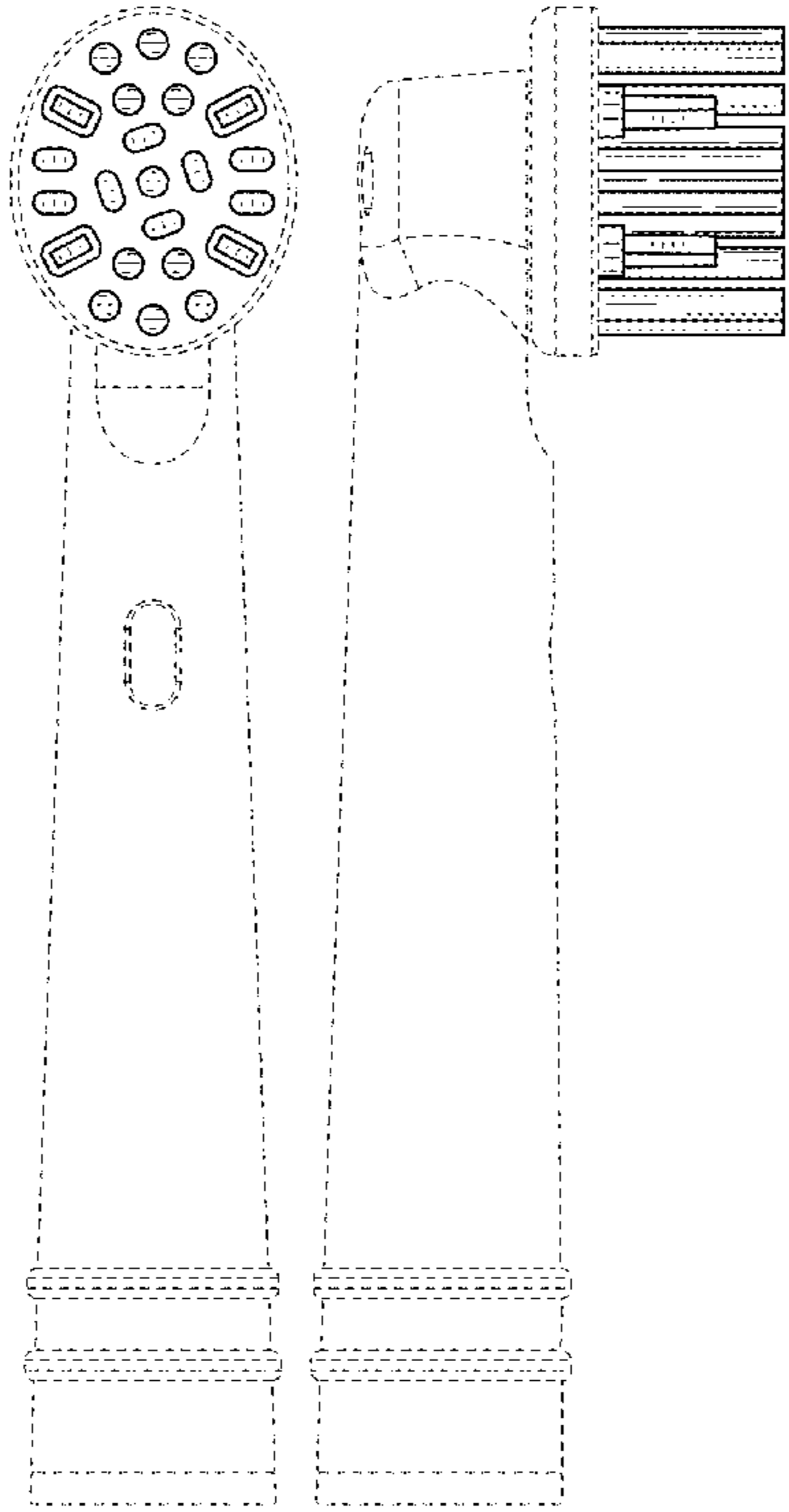
\* cited by examiner  
*Primary Examiner* — Karen E Eldridge Powers  
(74) *Attorney, Agent, or Firm* — Pearl Cohen Zedek  
Latzer Baratz LLP

(57) **CLAIM**  
The ornamental design for a toothbrush head, as shown and  
described.

**DESCRIPTION**  
FIG. 1 is a front, bottom, left side perspective view of a  
toothbrush head showing my new design;  
FIG. 2 is a front elevation view thereof;  
FIG. 3 is a back elevation view thereof;  
FIG. 4 is a right side elevation view thereof;  
FIG. 5 is a left side elevation thereof;  
FIG. 6 is a top plan view thereof; and,  
FIG. 7 is a bottom plan view thereof.  
The broken lines show portions of the toothbrush head that  
form no part of the claimed design.

**1 Claim, 4 Drawing Sheets**

(56) **References Cited**  
U.S. PATENT DOCUMENTS  
D501,605 S \* 2/2005 Brown, Jr. .... D4/101  
D526,487 S \* 8/2006 Chenvainu ..... D4/101  
D579,664 S \* 11/2008 Fisher ..... D4/101  
D612,611 S \* 3/2010 Brown, Jr. .... D4/101  
7,941,886 B2 \* 5/2011 Chenvainu ..... A46B 9/005  
15/22.4  
8,185,991 B2 \* 5/2012 Kressner ..... A46B 9/04  
15/22.1  
8,317,424 B2 \* 11/2012 Chenvainu ..... A61C 1/0061  
401/188 R



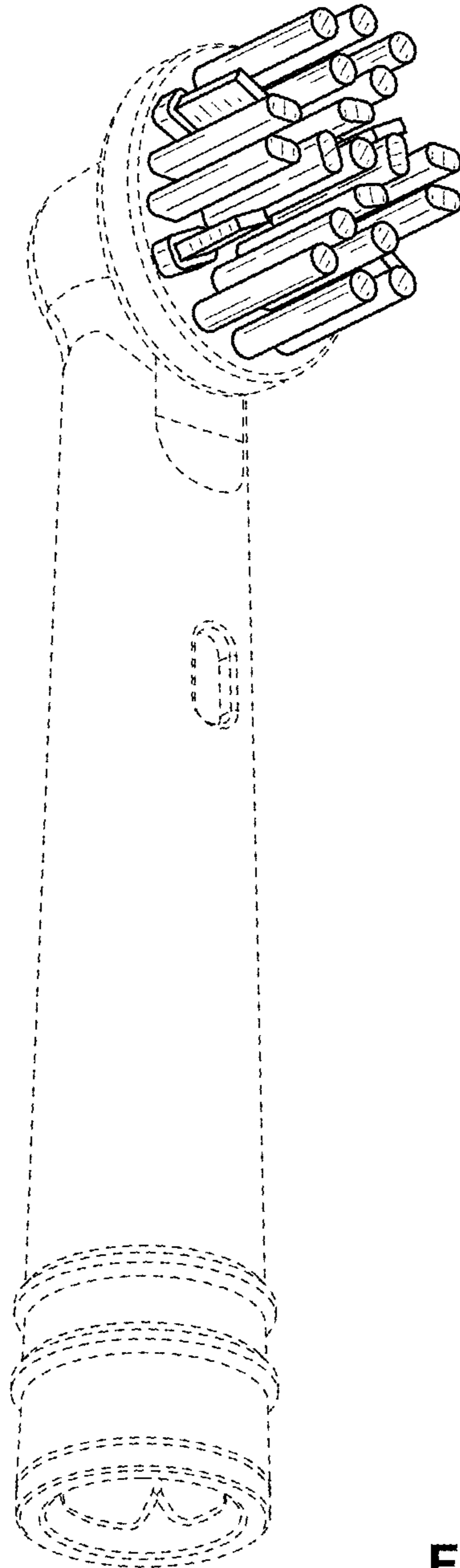


FIG. 1

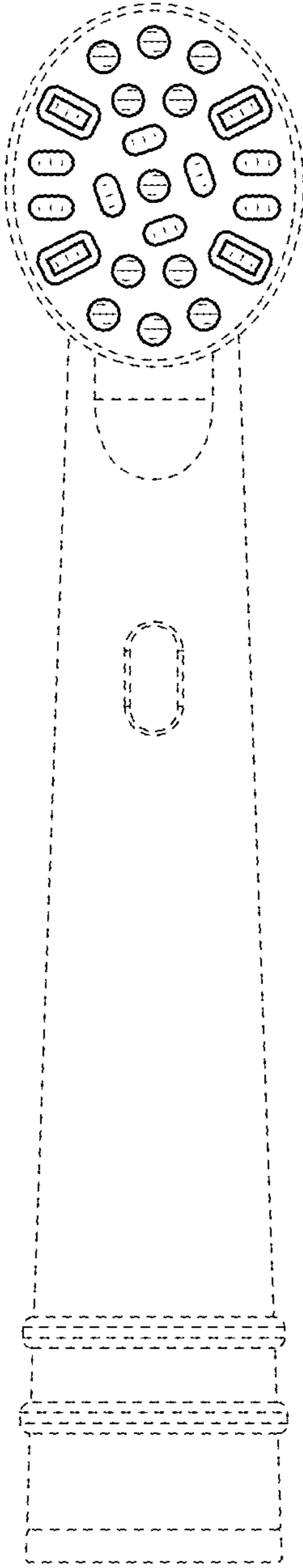


FIG. 2

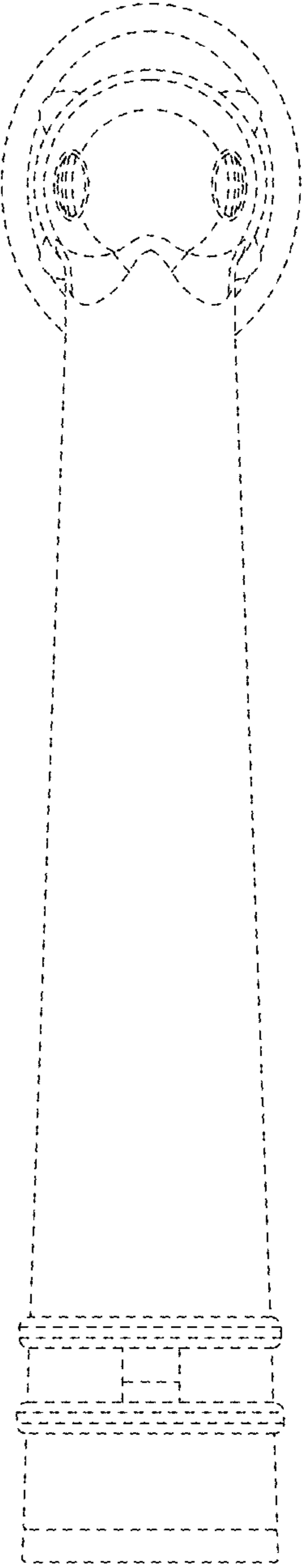


FIG. 3

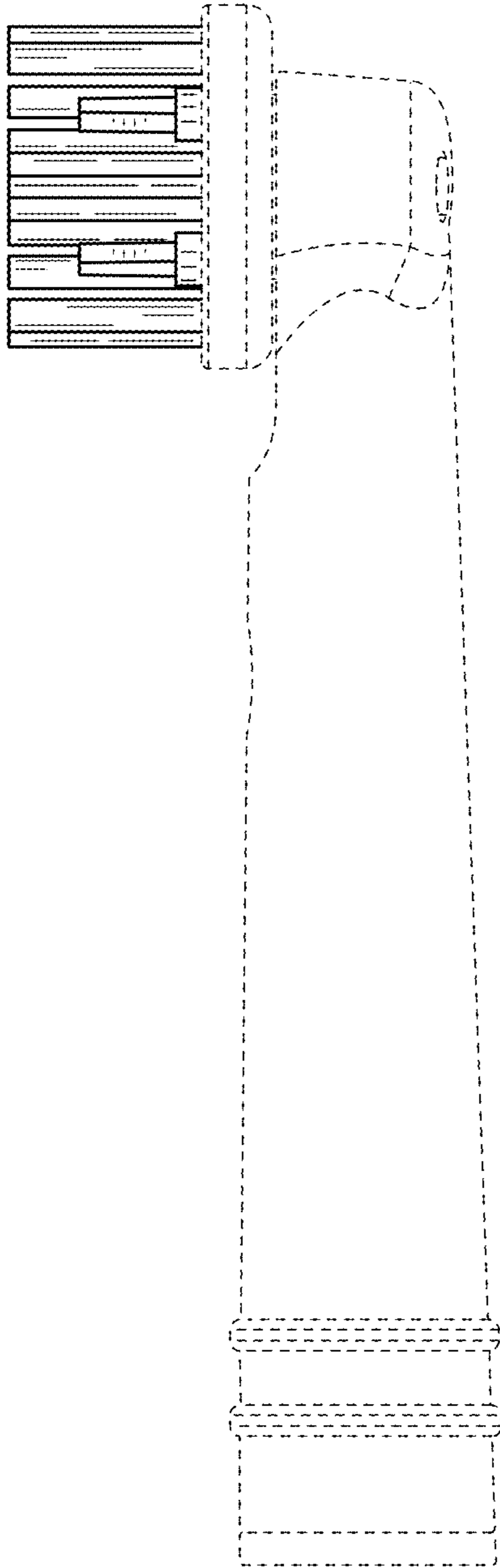


FIG. 4

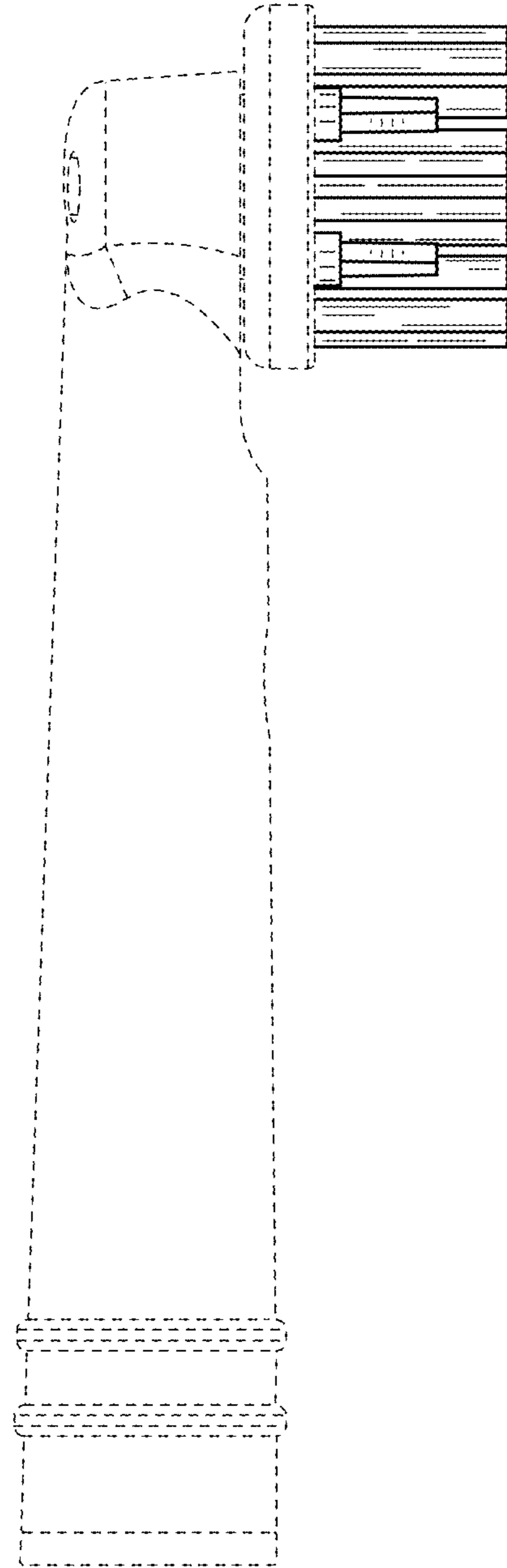
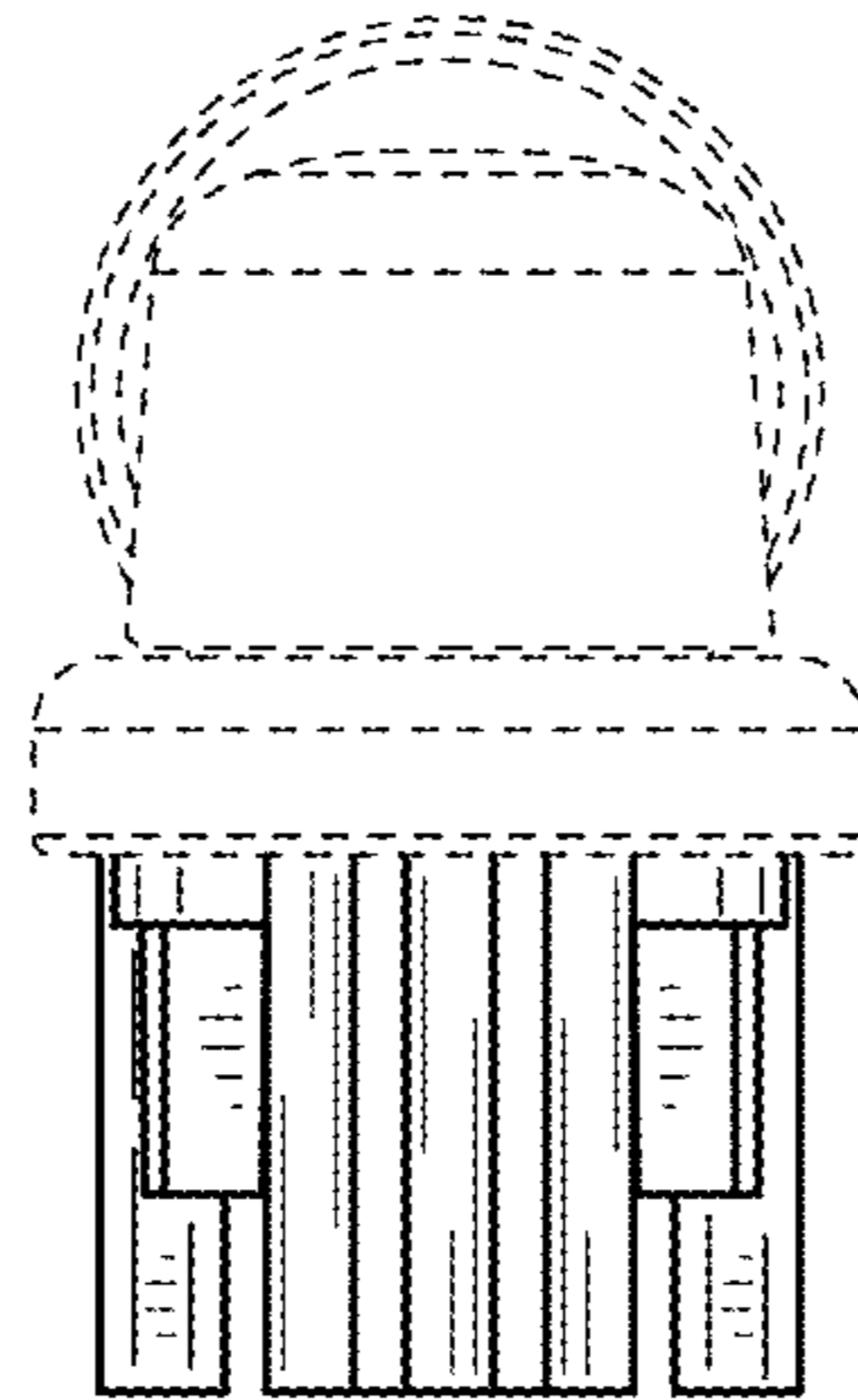
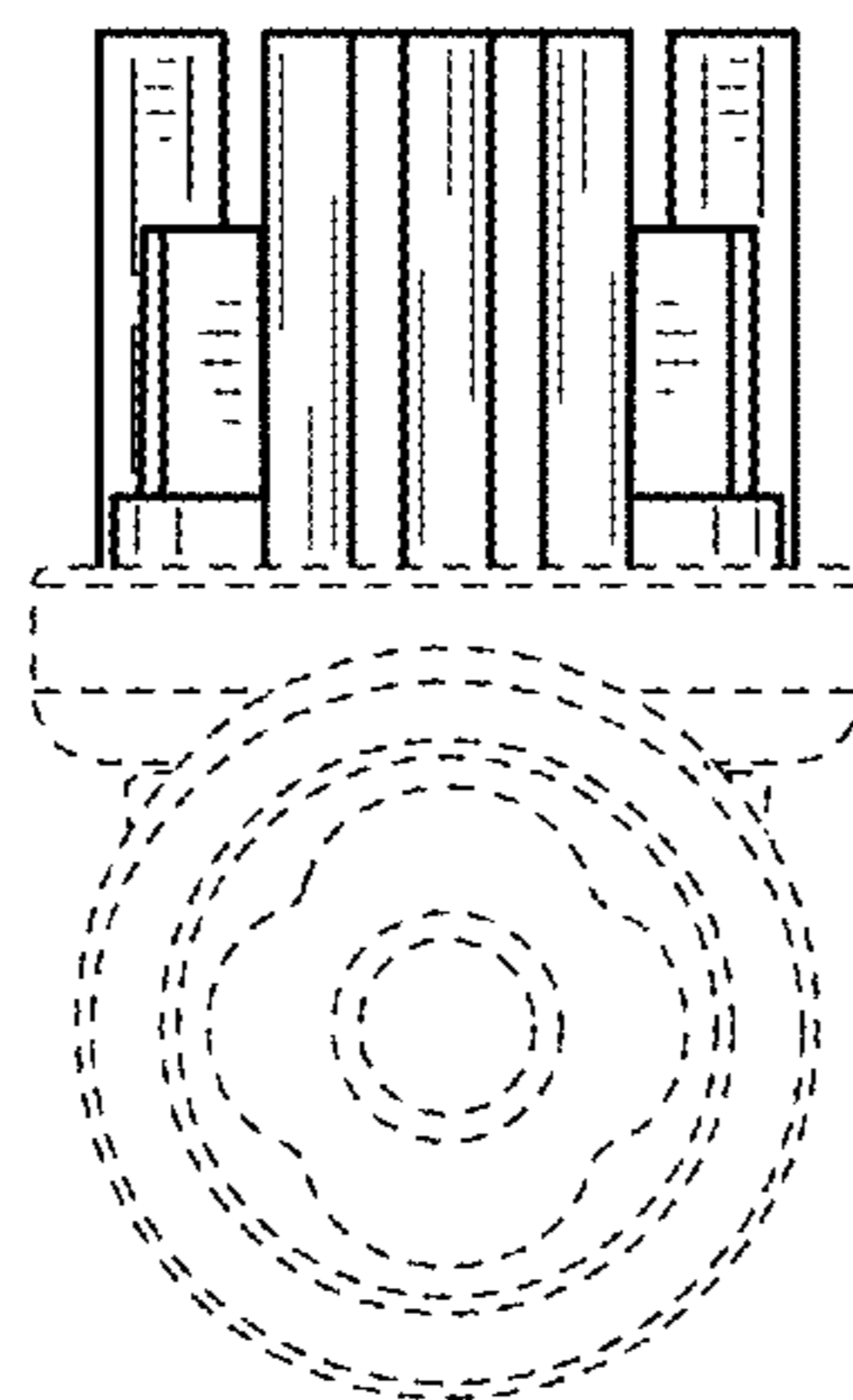


FIG. 5



**FIG. 6**



**FIG. 7**