



US00D885059S

(12) **United States Design Patent** (10) **Patent No.:** **US D885,059 S**  
**Capalungan et al.** (45) **Date of Patent:** **\*\* May 26, 2020**

(54) **POWER TOOTHBRUSH**  
(71) Applicant: **SUNSTAR AMERICAS, INC.**,  
Schaumburg, IL (US)  
(72) Inventors: **Katie Capalungan**, Schaumburg, IL  
(US); **Charles Y. Choi**, Chicago, IL  
(US); **James L. Cwik**, Orland Park, IL  
(US); **Marcy Eisenstadt Freeman**,  
Highland Park, IL (US); **Leoncio Angel  
Gonzalez**, Winfield, IL (US); **Chad  
Misner**, Arlington Heights, IL (US);  
**Timothy Robinson**, Long Grove, IL  
(US); **Mark A. Pavel**, Lisle, IL (US);  
**Kelly Adair**, Arlington Heights, IL  
(US)  
(73) Assignee: **SUNSTAR AMERICAS, INC.**,  
Schaumburg, IL (US)  
(\*\*) Term: **15 Years**  
(21) Appl. No.: **29/660,103**  
(22) Filed: **Aug. 17, 2018**  
(51) **LOC (12) Cl.** ..... **04-02**  
(52) **U.S. Cl.**  
USPC ..... **D4/101**  
(58) **Field of Classification Search**  
USPC ..... D1/106, 199; D4/100-104, 108-111,  
D4/127, 128, 132-136, 138, 199; D8/61;  
D13/107, 108; D14/288; D24/119, 146,  
D24/180; D30/158, 159  
CPC .... A46B 5/00; A46B 9/04; A46B 9/10; A46B  
7/00; A46B 2200/1066; A46B 2200/1073;  
A46B 2200/1086  
See application file for complete search history.

D458,028 S \* 6/2002 McCurrach ..... D4/101  
6,955,539 B2 \* 10/2005 Shortt ..... A61C 17/34  
132/322  
D533,720 S \* 12/2006 Vu ..... D4/101  
D636,604 S \* 4/2011 Zhuan ..... D4/101  
D688,464 S \* 8/2013 Hara ..... D4/101

(Continued)

**OTHER PUBLICATIONS**

GUM® Pulse® Rotapower Toothbrush (<https://www.gumbrand.com/toothbrushes/power-toothbrushes/gum-pulse-rotapower-toothbrush.html>) obtained Sep. 28, 2018.

*Primary Examiner* — Philip S Hyder  
*Assistant Examiner* — Cary M Robinson  
(74) *Attorney, Agent, or Firm* — Michael Best & Friedrich LLP

(57) **CLAIM**

The ornamental design for a power toothbrush, as shown and described.

**DESCRIPTION**

FIG. 1 is a front, top, right perspective view of a handle portion of a power toothbrush showing our new design; FIG. 2 is a front elevational view thereof; FIG. 3 is a rear elevational view thereof; FIG. 4 is a left side elevational view thereof; FIG. 5 is a right side elevational view thereof; FIG. 6 is a top plan view thereof; FIG. 7 is a bottom plan view thereof; FIG. 8 is a front, top, right perspective view of a modification to the handle portion of the power toothbrush showing our new design; FIG. 9 is a front elevational view thereof; FIG. 10 is a rear elevational view thereof; FIG. 11 is a left side elevational view thereof; FIG. 12 is a right side elevational view thereof; FIG. 13 is a top plan view thereof; and, FIG. 14 is a bottom plan view thereof.

**1 Claim, 14 Drawing Sheets**

(56) **References Cited**  
U.S. PATENT DOCUMENTS

D353,490 S \* 12/1994 Hartwein ..... D13/108  
D354,168 S \* 1/1995 Hartwein ..... D13/108



(56)

**References Cited**

U.S. PATENT DOCUMENTS

D696,023	S	*	12/2013	Gebski .....	D4/101
D701,388	S	*	3/2014	Chuanzhou .....	D4/101
D751,821	S	*	3/2016	Since .....	D4/101
D758,080	S	*	6/2016	Since .....	D4/101
D759,382	S	*	6/2016	Watkins .....	D4/101
D773,192	S	*	12/2016	Nabavi .....	D4/101
D798,445	S	*	9/2017	Heni .....	D24/133
D799,217	S	*	10/2017	Massee .....	D4/101
D801,431	S	*	10/2017	Kao .....	D19/177
D801,696	S	*	11/2017	McGarry .....	D4/101
D814,195	S	*	4/2018	Sikora .....	D4/102
D819,337	S	*	6/2018	Yuan .....	D4/101
D819,973	S	*	6/2018	Greve .....	D4/101
D819,974	S	*	6/2018	Johansson .....	D4/101
D844,995	S	*	4/2019	Wong .....	D4/101
2016/0331116	A1	*	11/2016	Follows .....	A46B 5/0095
2018/0085207	A1	*	3/2018	Tweedie .....	A61C 17/028
2018/0098621	A1	*	4/2018	Patel .....	A61J 7/0076

\* cited by examiner

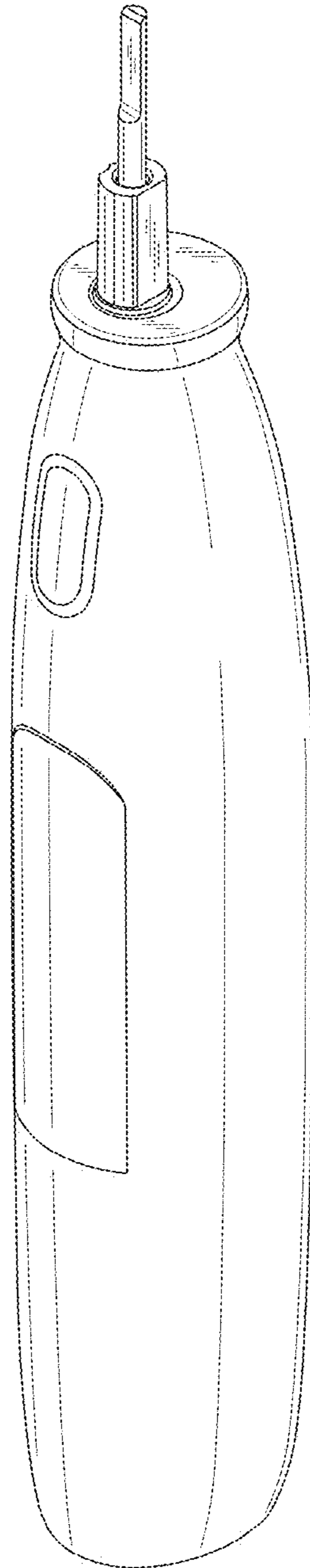


FIG. 1

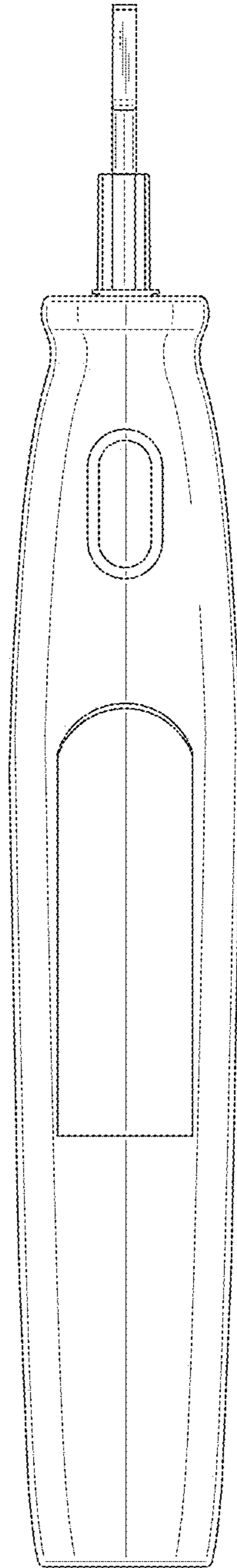


FIG. 2

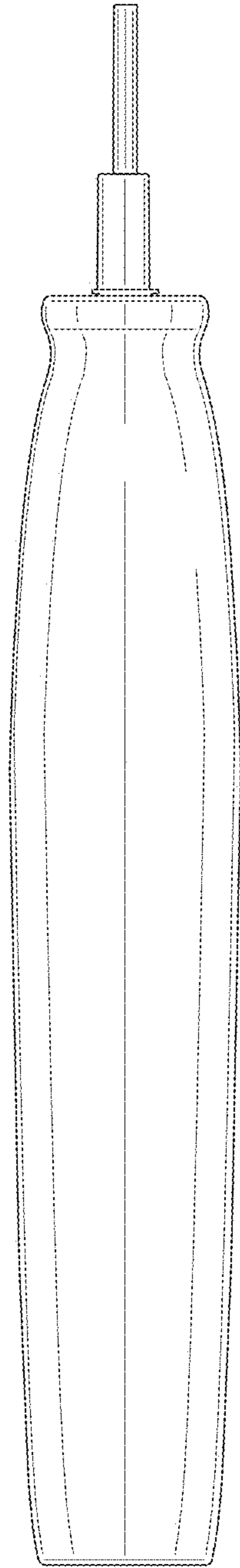


FIG. 3

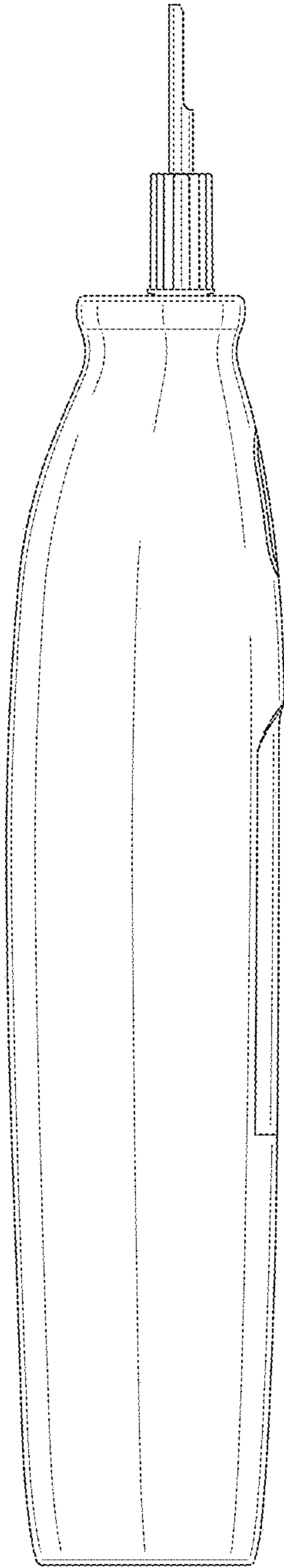


FIG. 4

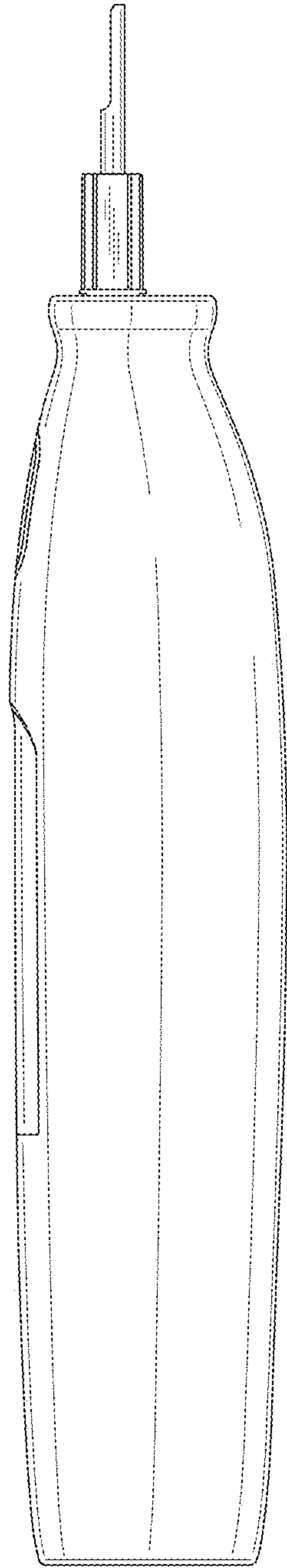


FIG. 5

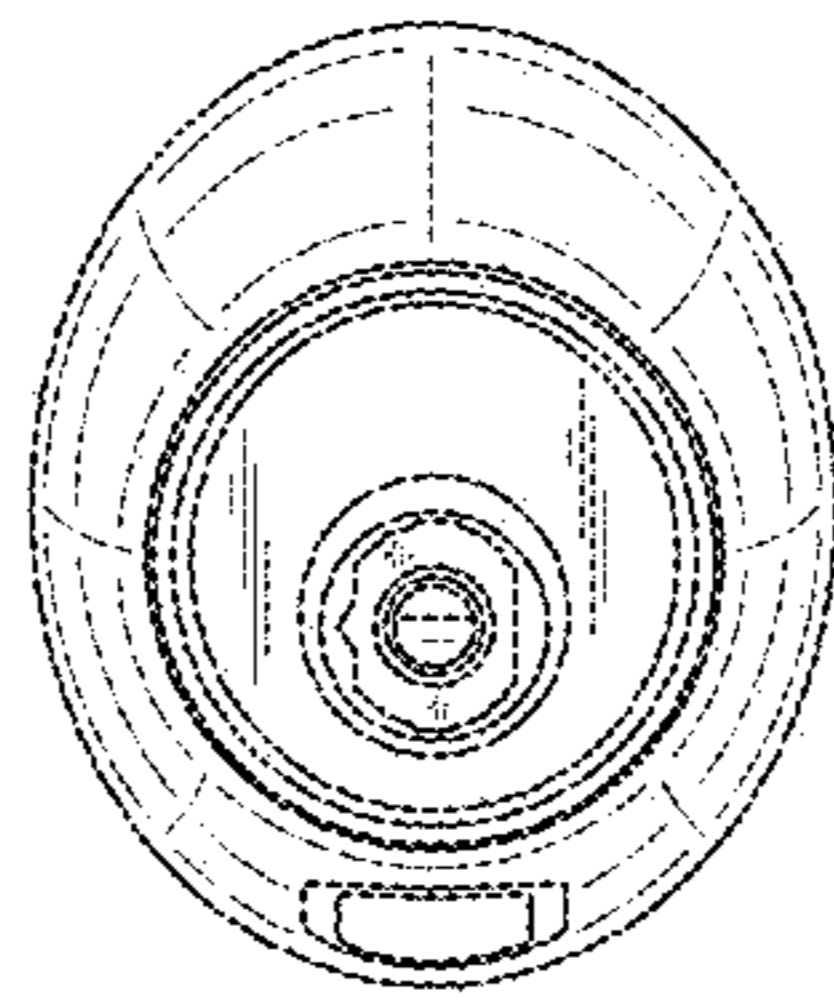


FIG. 6



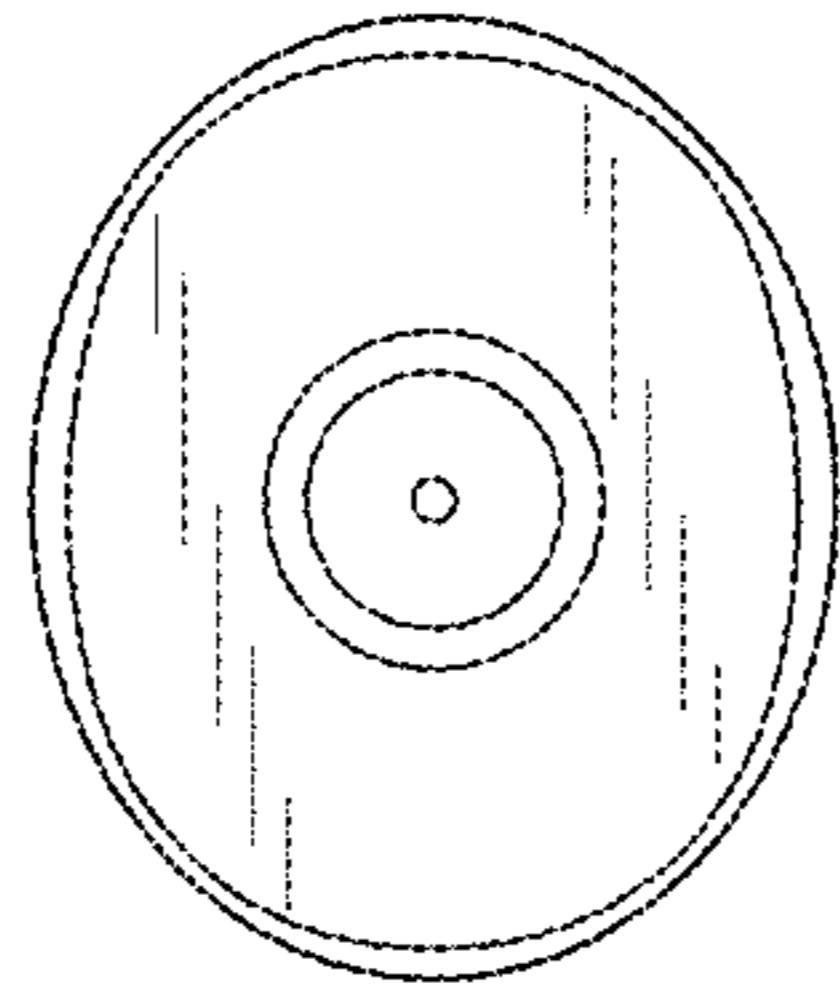


FIG. 7

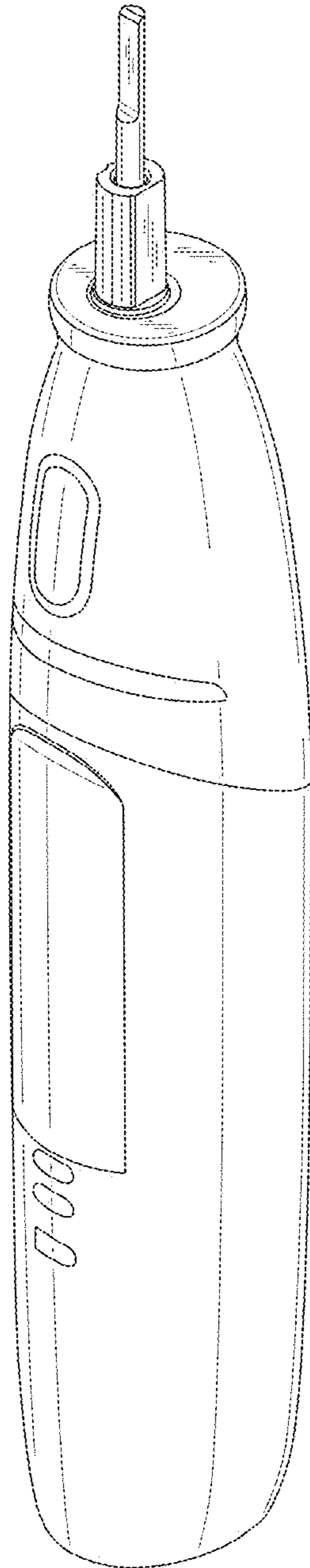


FIG. 8

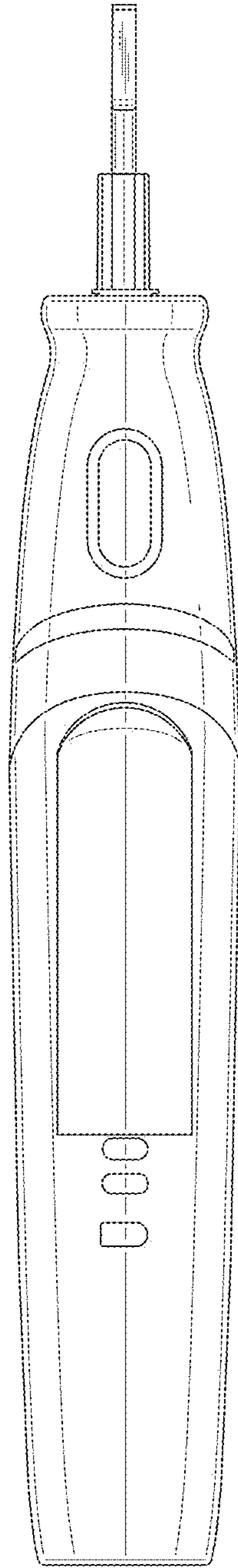


FIG. 9

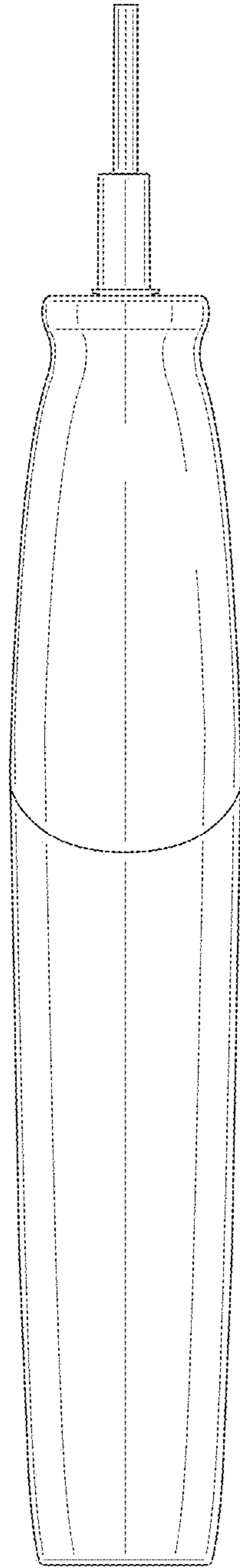


FIG. 10

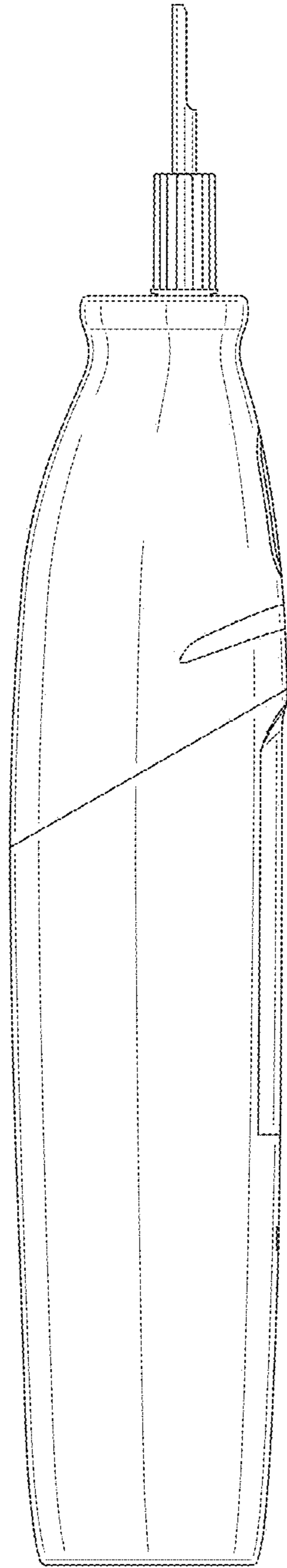


FIG. 11

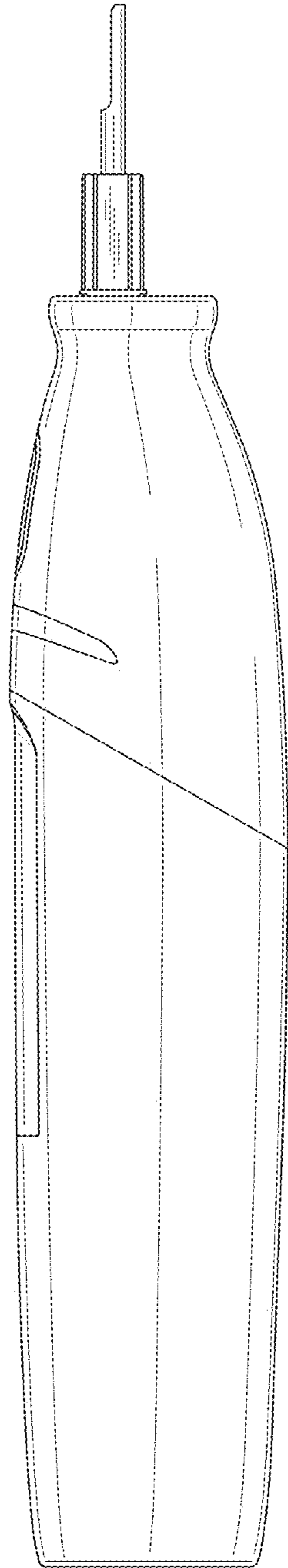


FIG. 12

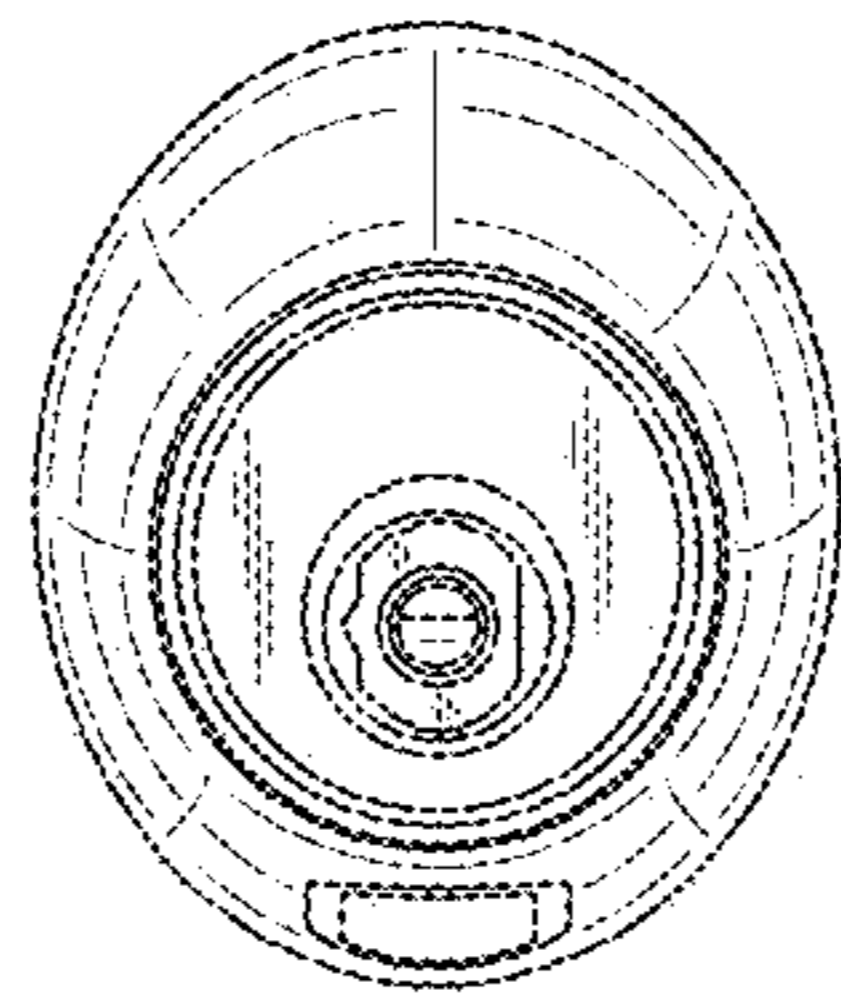


FIG. 13

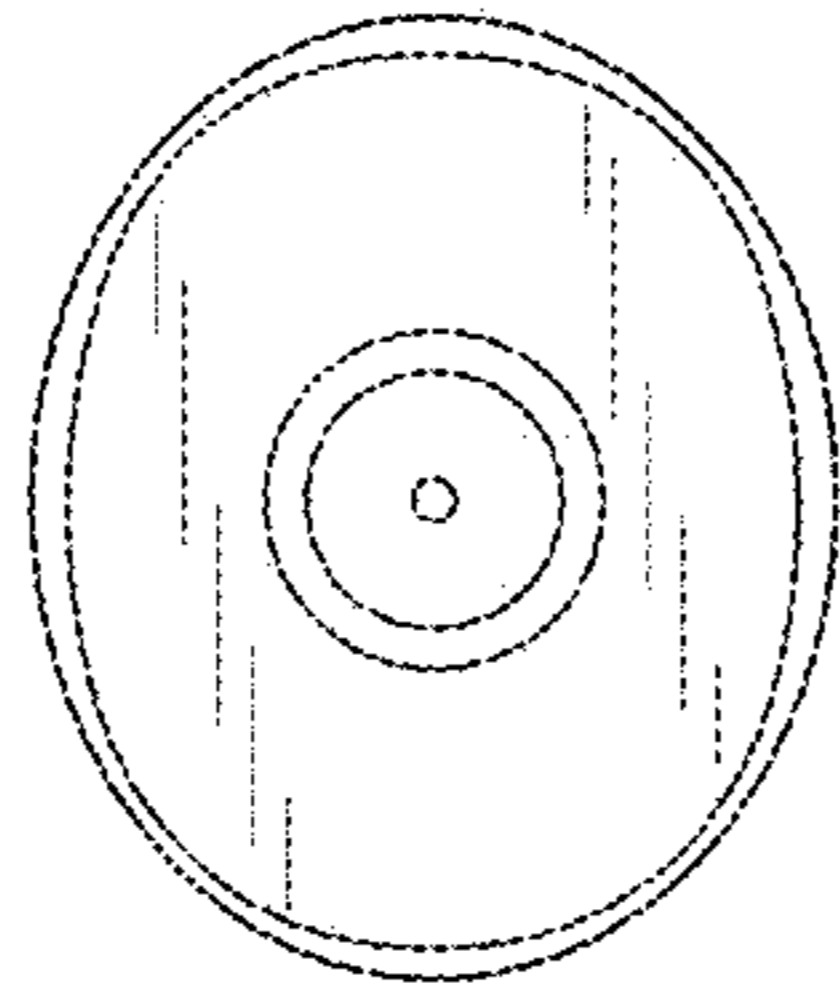


FIG. 14