



US00D885056S

(12) **United States Design Patent**  
**Smith, IV et al.**

(10) **Patent No.:** **US D885,056 S**

(45) **Date of Patent:** **\*\* May 26, 2020**

(54) **HANDLE FOR A BAG**

7,845,377 B2 \* 12/2010 Edwards, Jr. .... A45C 1/024  
150/131

(71) Applicant: **Bilio LLC**, Oakland, CA (US)

\* cited by examiner

(72) Inventors: **Harry William Smith, IV**, Mill Valley, CA (US); **Carolina Isabel Rodriguez**, Berkeley, CA (US); **Philip Isaac Oaks**, Berkeley, CA (US); **Nicholas Andrew Smith**, Sausalito, CA (US)

*Primary Examiner* — Holly H Baynham

(74) *Attorney, Agent, or Firm* — Dergosits & Noah LLP

(73) Assignee: **BILIO LLC**, Oakland

(57) **CLAIM**

(\*\*) Term: **15 Years**

The ornamental design for a handle for a bag, as shown and described.

(21) Appl. No.: **29/671,458**

(22) Filed: **Nov. 27, 2018**

**DESCRIPTION**

(51) **LOC (12) Cl.** ..... **03-01**

(52) **U.S. Cl.**

USPC ..... **D3/318**

(58) **Field of Classification Search**

USPC ..... D3/232–233, 240–243, 245–246, 318

CPC ..... A45C 1/024; A45C 3/06

See application file for complete search history.

FIG. 1 is a perspective view of a handle for a bag;

FIG. 2 is a front view of a handle for a bag;

FIG. 3 is a back view of a handle for a bag;

FIG. 4 is a side view of a handle for a bag;

FIG. 5 is top view of a handle for a bag; and,

FIG. 6 bottom view of a handle for a bag.

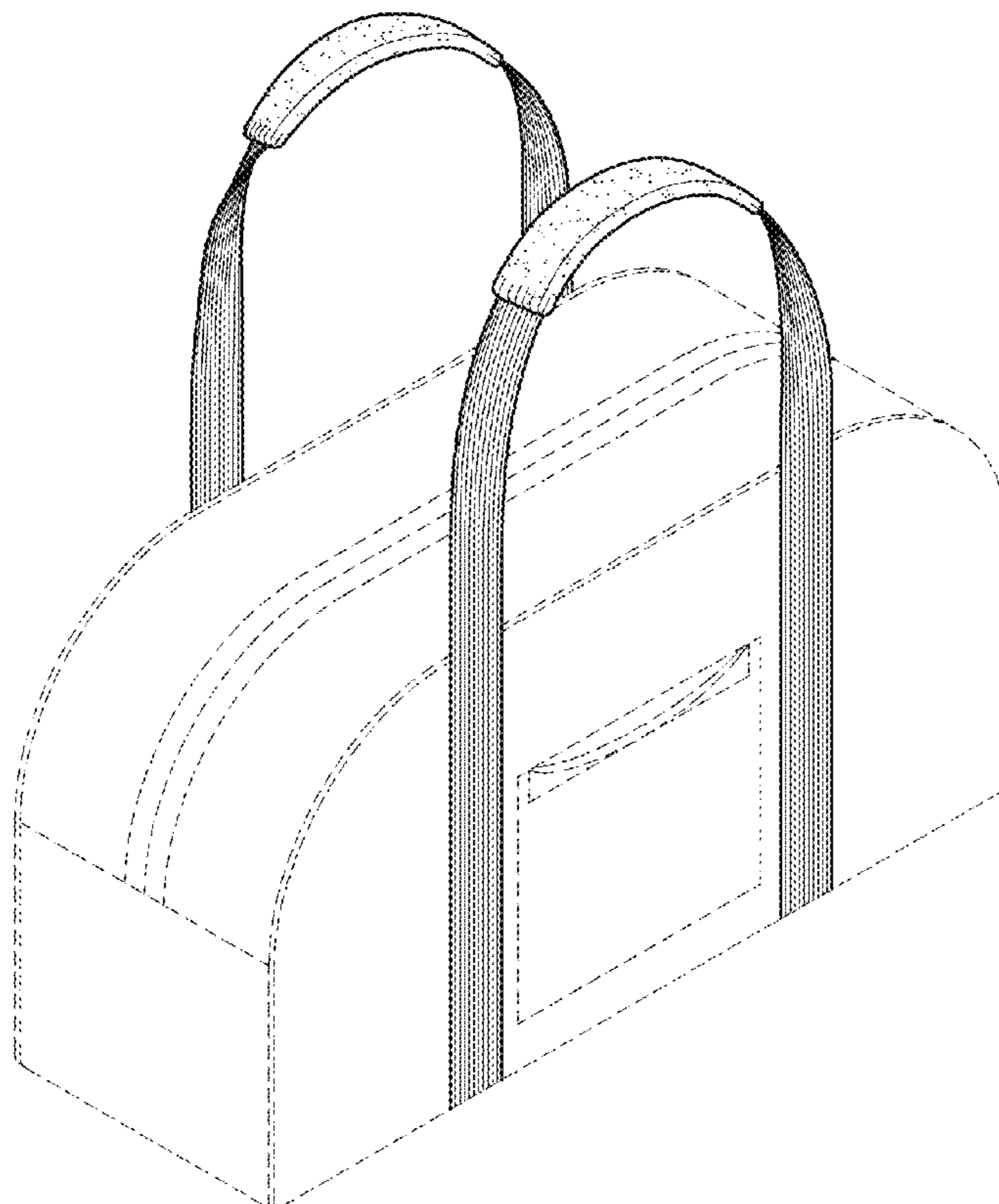
The broken lines in FIGS. 1-6 depict environmental structure and form no part of the claimed embodiments in FIGS. 1-6.

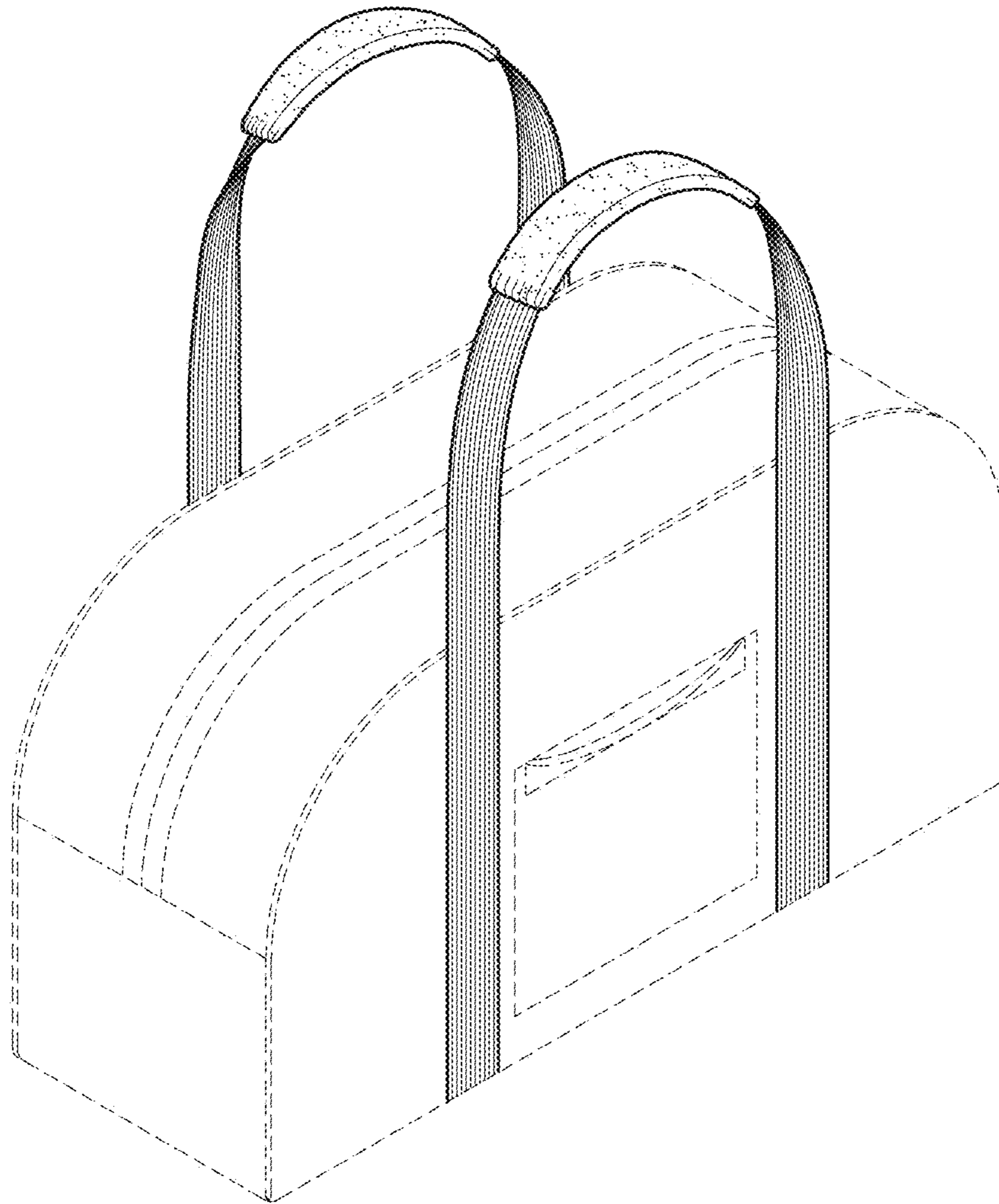
(56) **References Cited**

U.S. PATENT DOCUMENTS

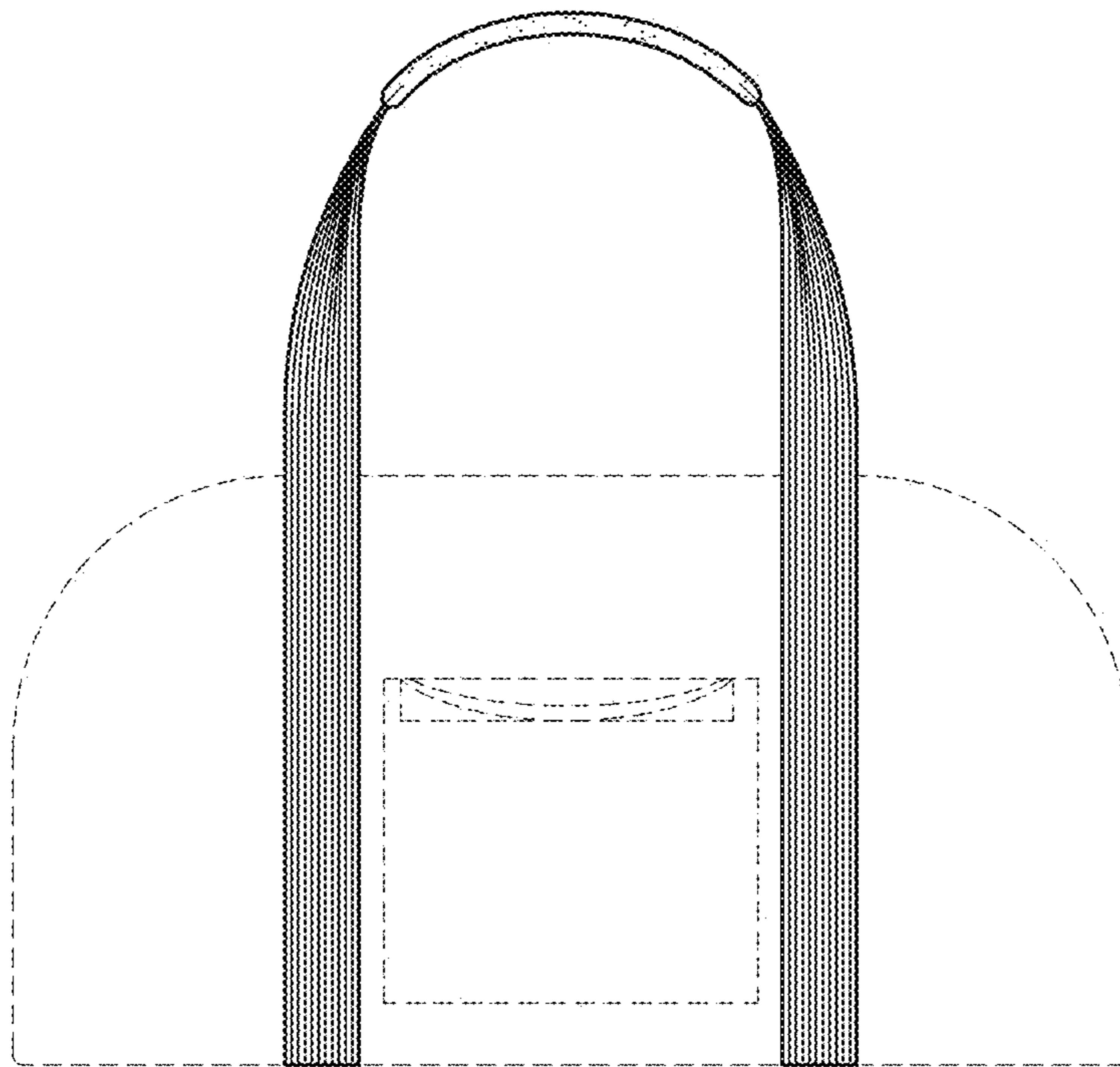
D594,655 S \* 6/2009 Guyon ..... D3/245  
D609,470 S \* 2/2010 Guyon ..... D3/245

**1 Claim, 3 Drawing Sheets**

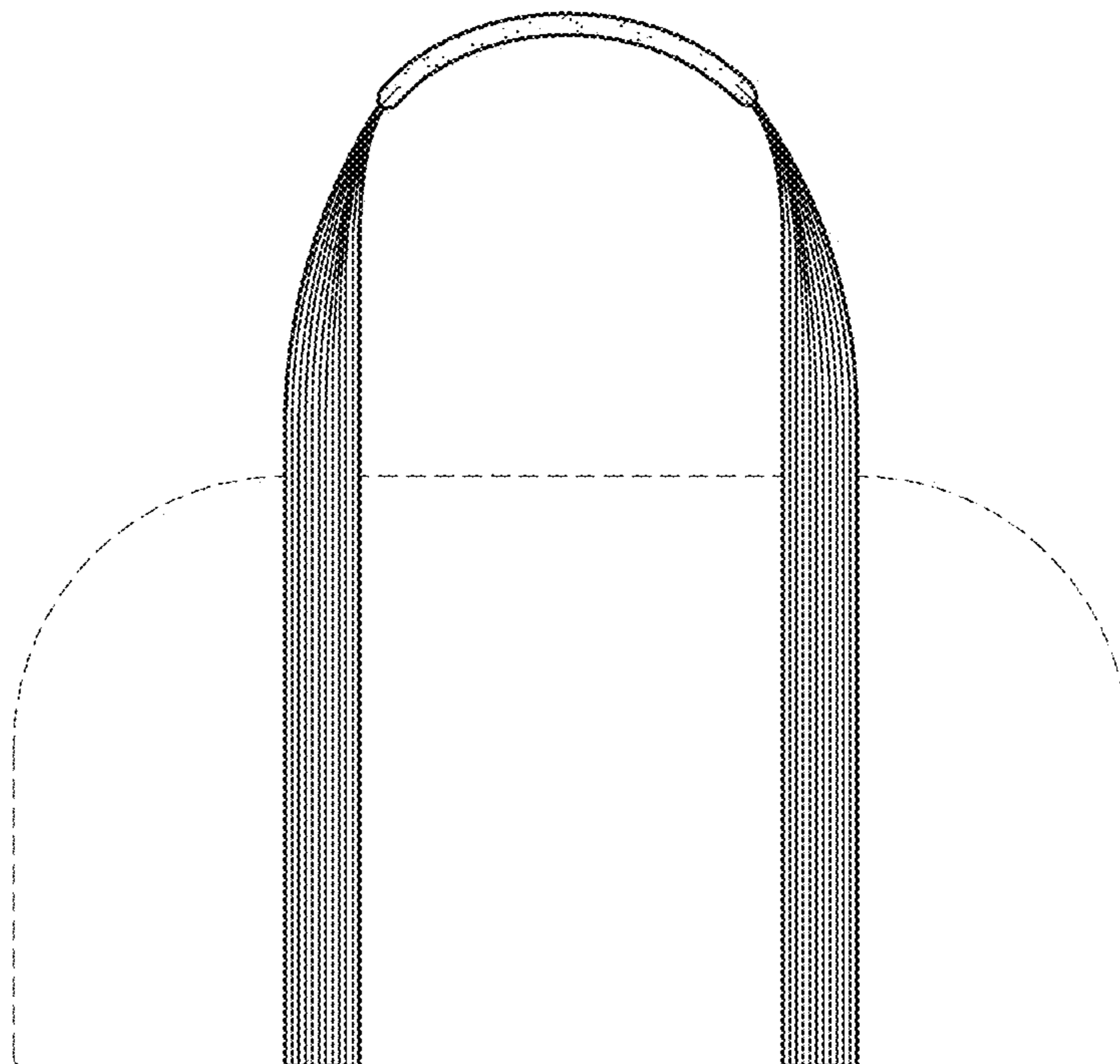




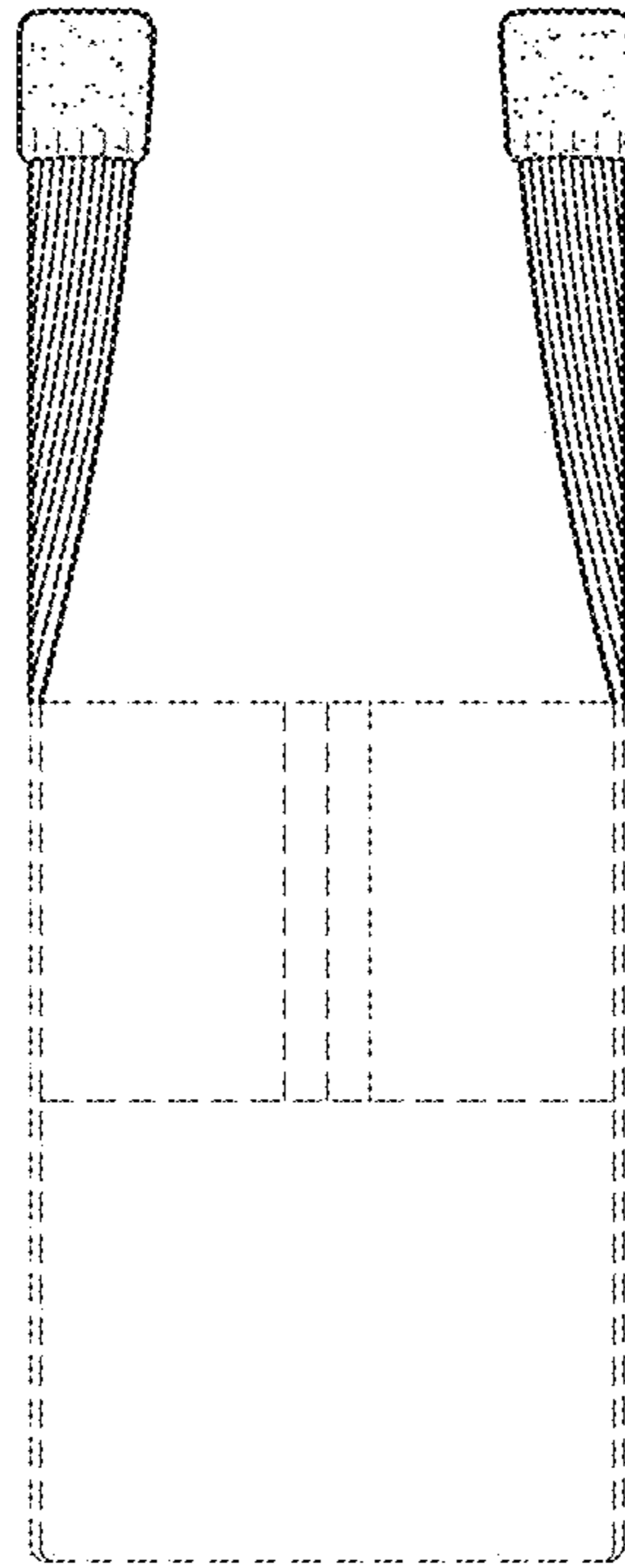
**FIG. 1**



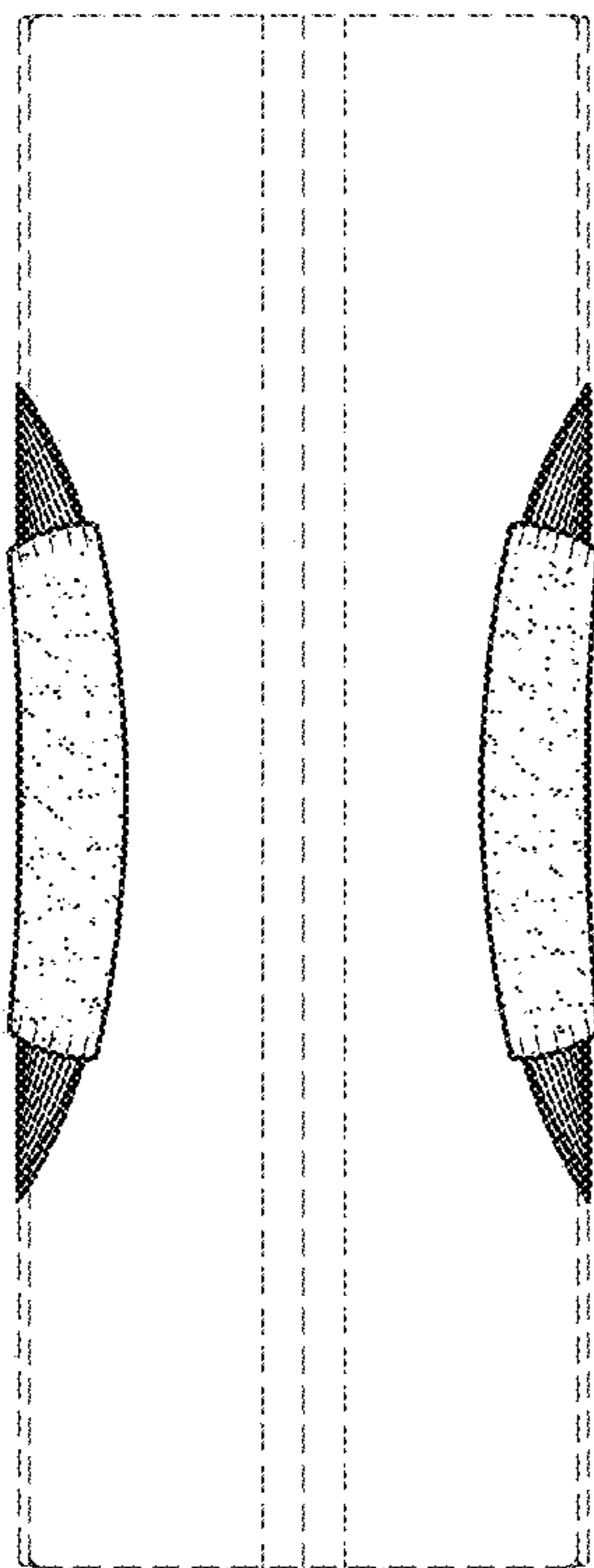
*FIG. 2*



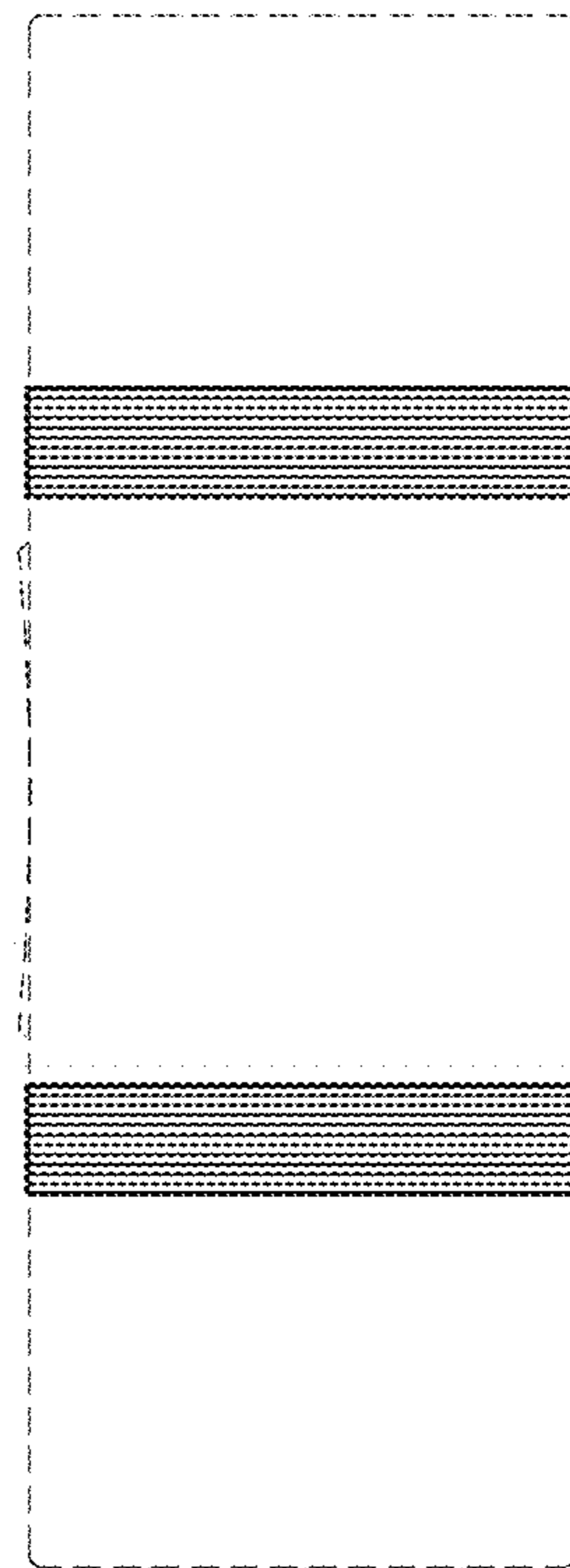
*FIG. 3*



*FIG. 4*



*FIG. 5*



*FIG. 6*