



US00D885054S

(12) **United States Design Patent**
Weng

(10) **Patent No.:** **US D885,054 S**

(45) **Date of Patent:** **** May 26, 2020**

- (54) **TROLLEY BAG**
- (71) Applicant: **Liu Ye Weng**, Fuzhou (CN)
- (72) Inventor: **Liu Ye Weng**, Fuzhou (CN)
- (**) Term: **15 Years**
- (21) Appl. No.: **29/716,032**
- (22) Filed: **Dec. 6, 2019**
- (30) **Foreign Application Priority Data**
 - Oct. 25, 2019 (CN) 2019 3 0585495
- (51) **LOC (12) Cl.** **03-01**
- (52) **U.S. Cl.**
 - USPC **D3/309**
- (58) **Field of Classification Search**
 - USPC D3/20, 26, 304, 305, 307-311, 315,
D3/318-319, 321-322, 327
 - CPC .. A45C 3/00; A45C 3/001; A45C 3/04; A45C
7/00; A45C 7/0018; A45C 7/0059; B65D
37/00

See application file for complete search history.

D711,096 S *	8/2014	Hanna	D3/232
8,905,411 B1 *	12/2014	Blanton	B62B 3/106 280/33.991
9,016,494 B1 *	4/2015	Hernandez	B65D 25/2805 190/107
D732,294 S *	6/2015	Hu	D3/319
D736,521 S *	8/2015	Tarter	D3/310
9,144,278 B2 *	9/2015	Morrow	A45C 3/04
D748,884 S *	2/2016	Evans	D34/27
D759,370 S *	6/2016	Godzich	D3/216
D760,462 S *	6/2016	Kellogg	D3/304
D763,575 S *	8/2016	Tiscareno-Rippe	D3/290
D765,399 S *	9/2016	Tarter	D3/310
D767,278 S *	9/2016	Szucs	D3/305
D775,057 S *	12/2016	Meckler	D12/407
D776,929 S *	1/2017	Noh	D3/315
D779,828 S *	2/2017	Cronkshaw	D3/315
D801,043 S *	10/2017	Lucas	D3/246
D809,798 S *	2/2018	Hernandez	D3/309
D849,406 S	5/2019	Dehmoubed et al.	
D850,107 S	6/2019	Dehmoubed et al.	
D853,121 S	7/2019	Dehmoubed et al.	

* cited by examiner

Primary Examiner — Kelley A Donnelly

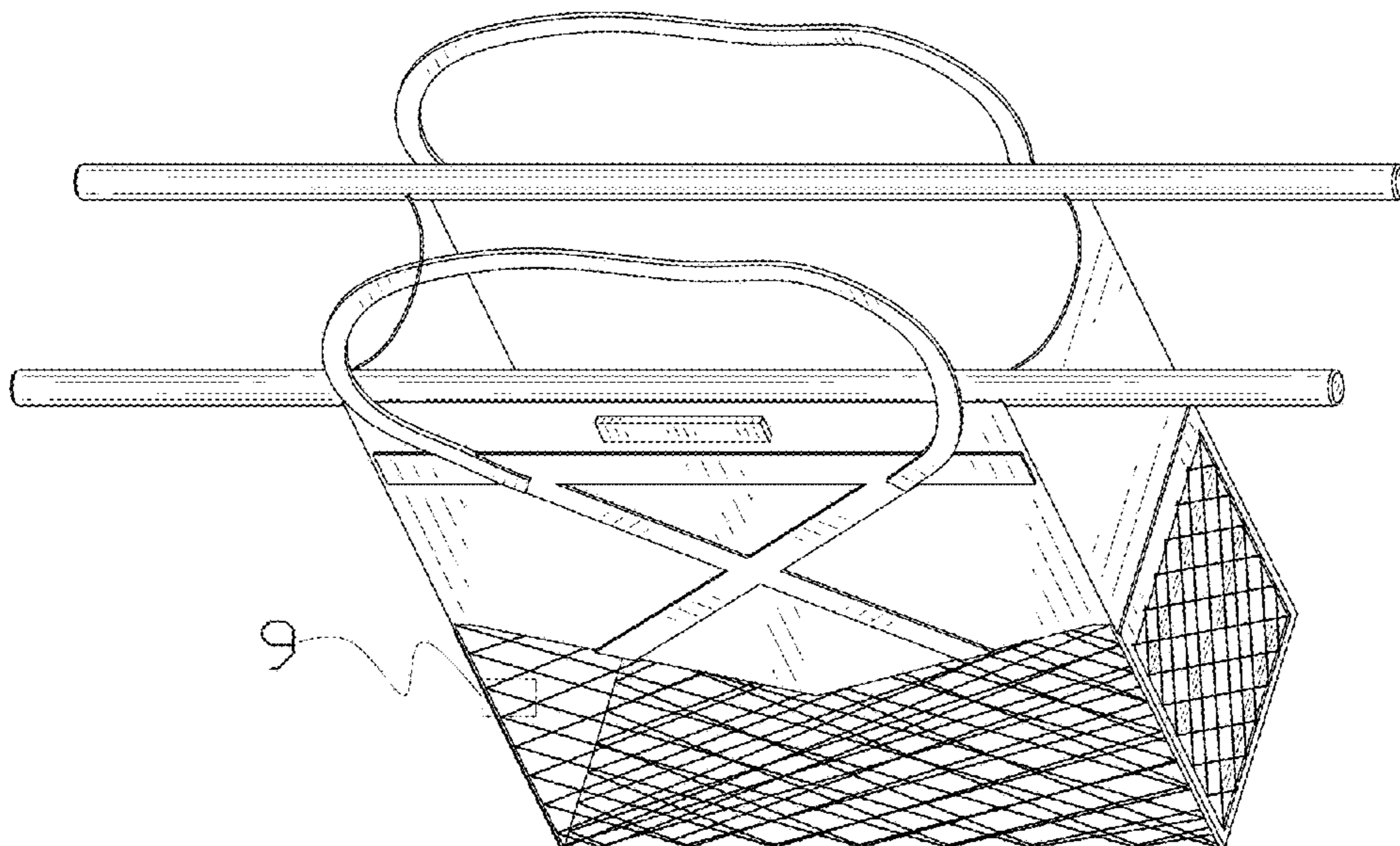
(57) **CLAIM**

The ornamental design for a trolley bag, as shown and described.

DESCRIPTION

FIG. 1 is a perspective view of a trolley bag showing my new design;
 FIG. 2 is another perspective view thereof;
 FIG. 3 is a front elevational view thereof;
 FIG. 4 is a rear elevational view thereof;
 FIG. 5 is a left side elevational view thereof;
 FIG. 6 is a right side elevational view thereof;
 FIG. 7 is a top plan view thereof;
 FIG. 8 is a bottom plan view thereof; and,
 FIG. 9 is an enlarged view of portion 9 shown in FIG 1.

1 Claim, 9 Drawing Sheets



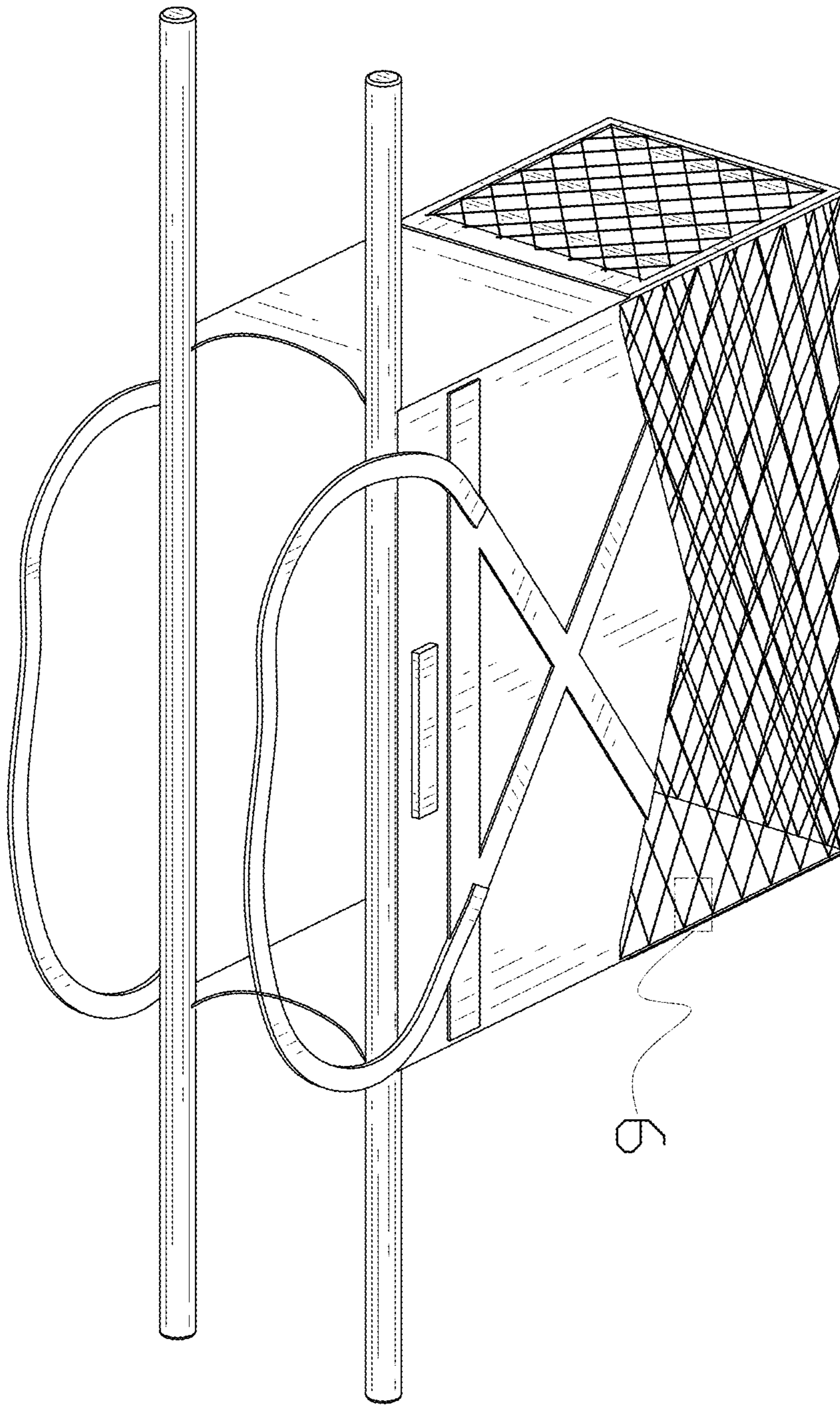


FIG. 1

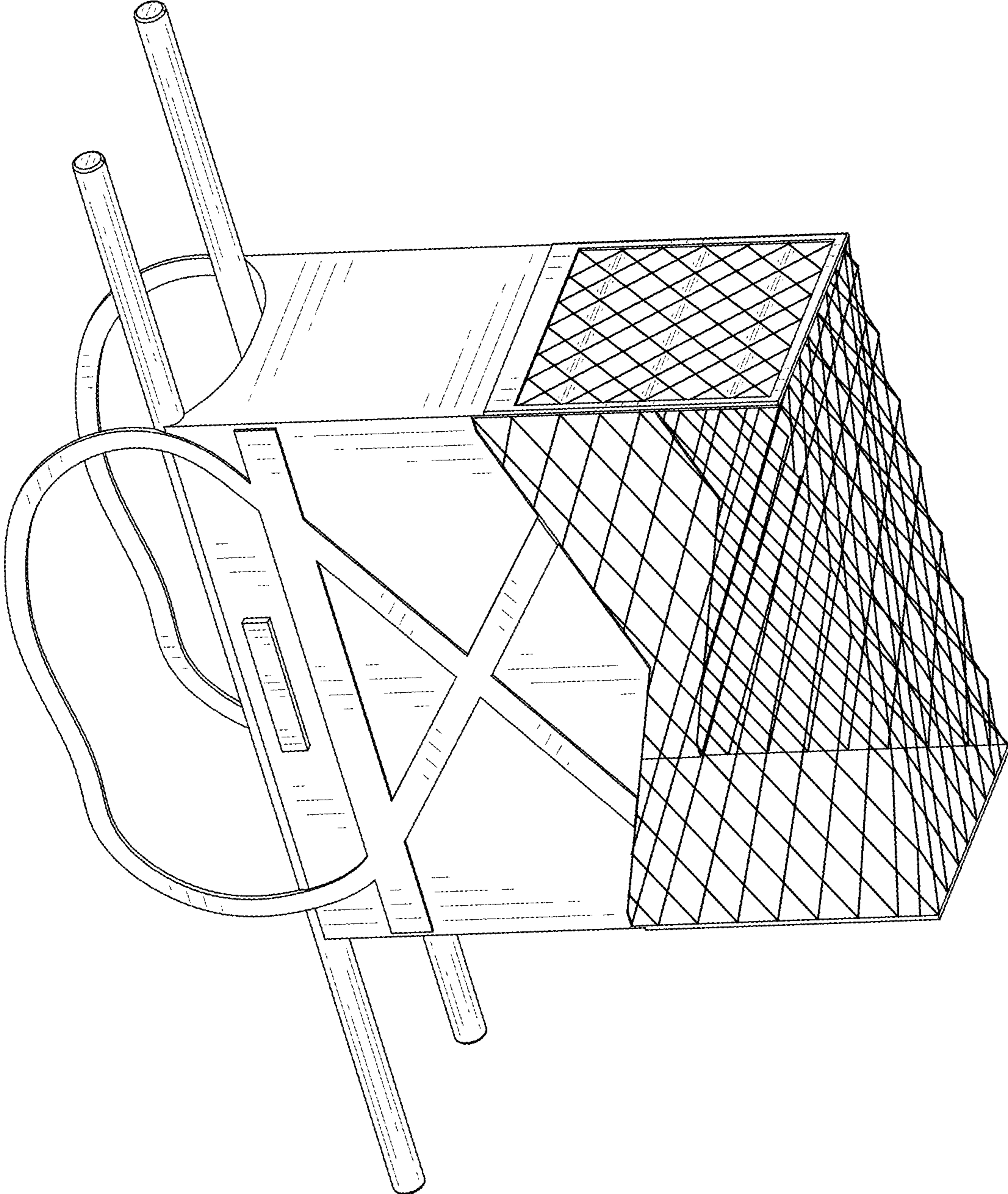


FIG. 2

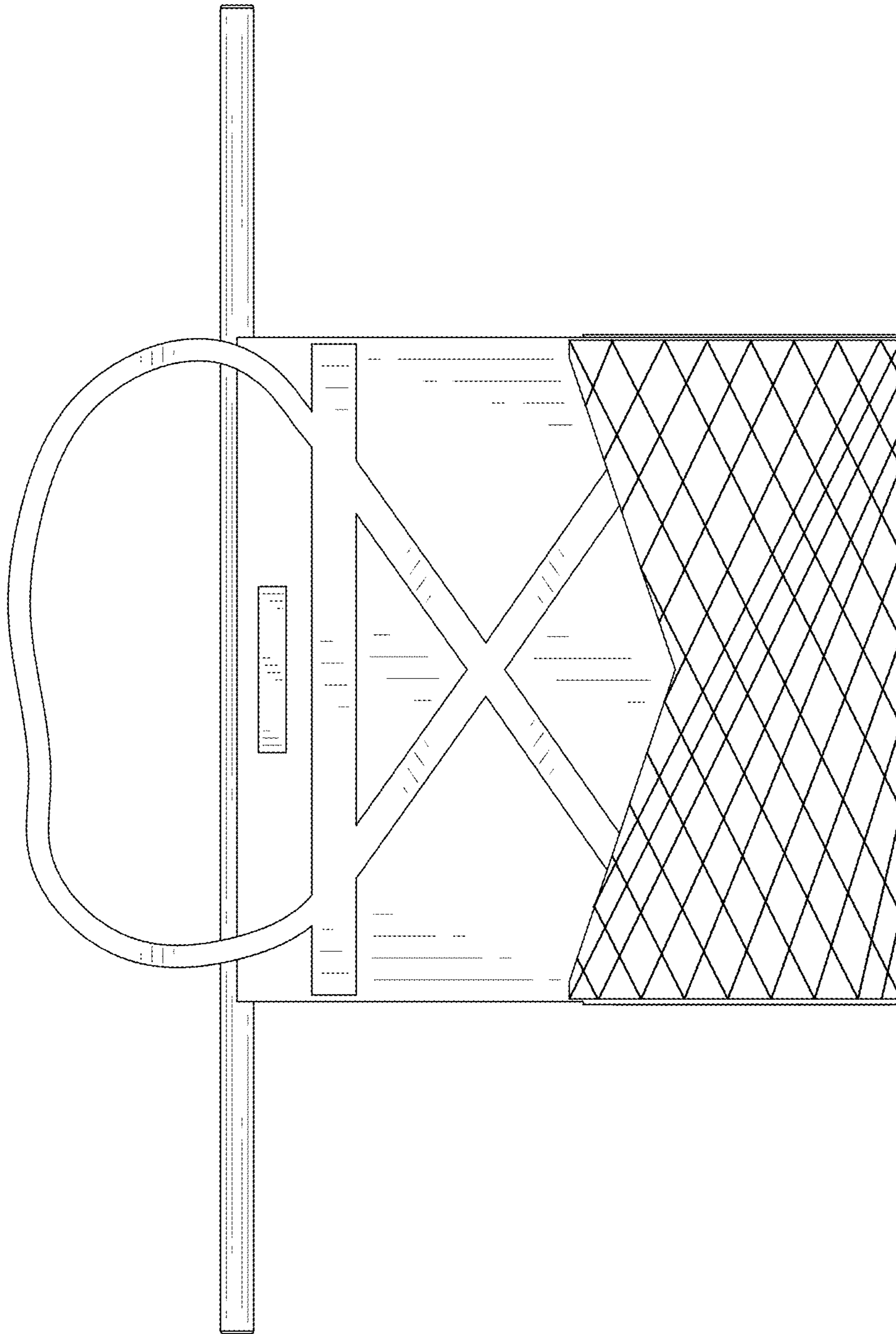


FIG. 3

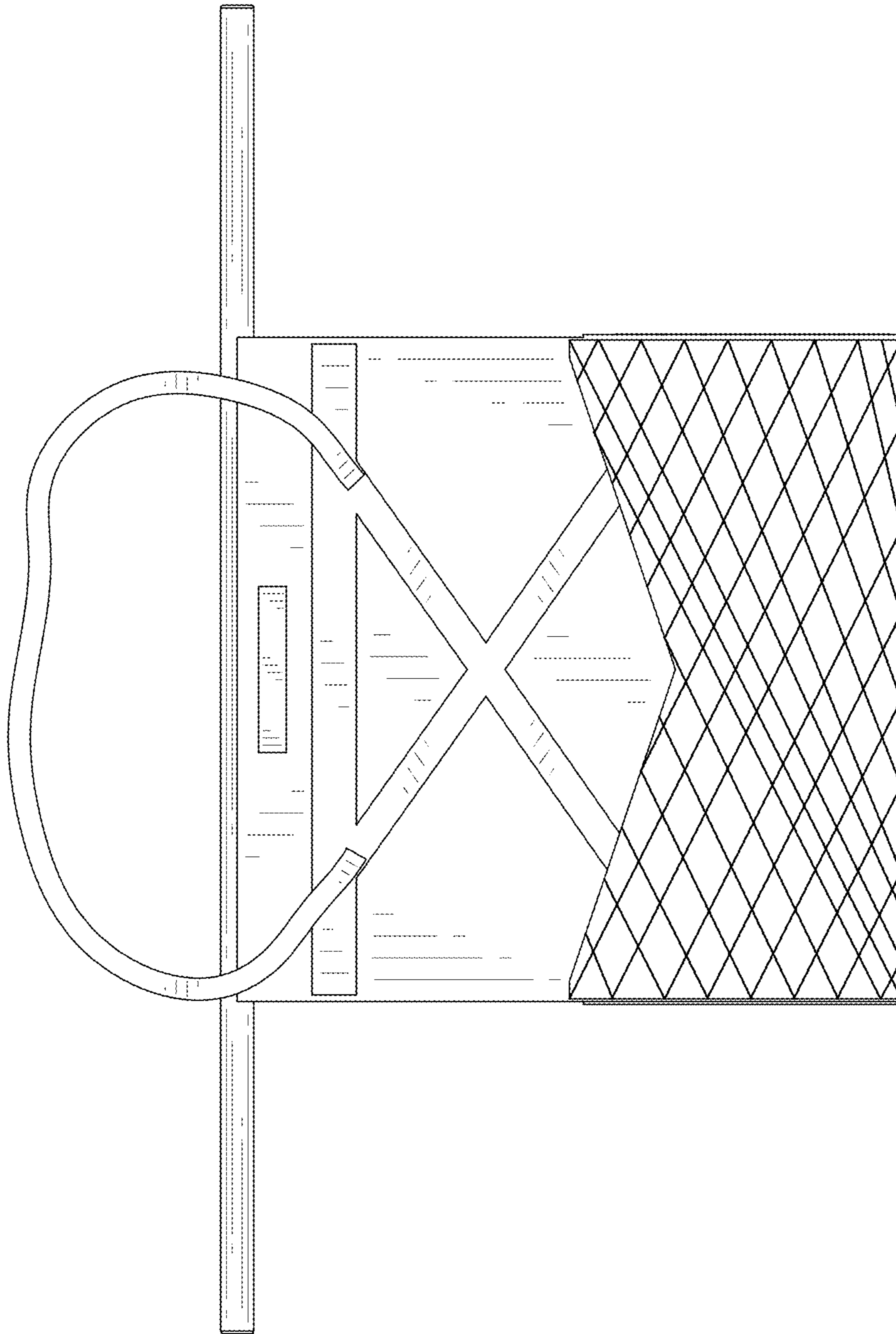


FIG. 4

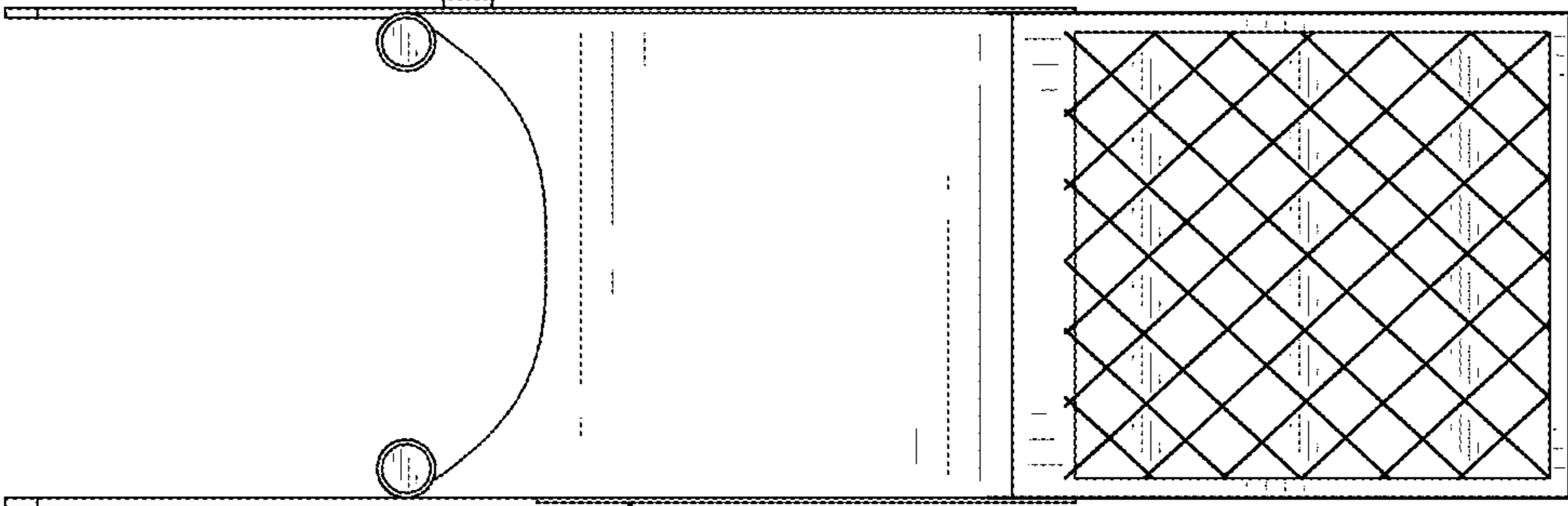


FIG. 5

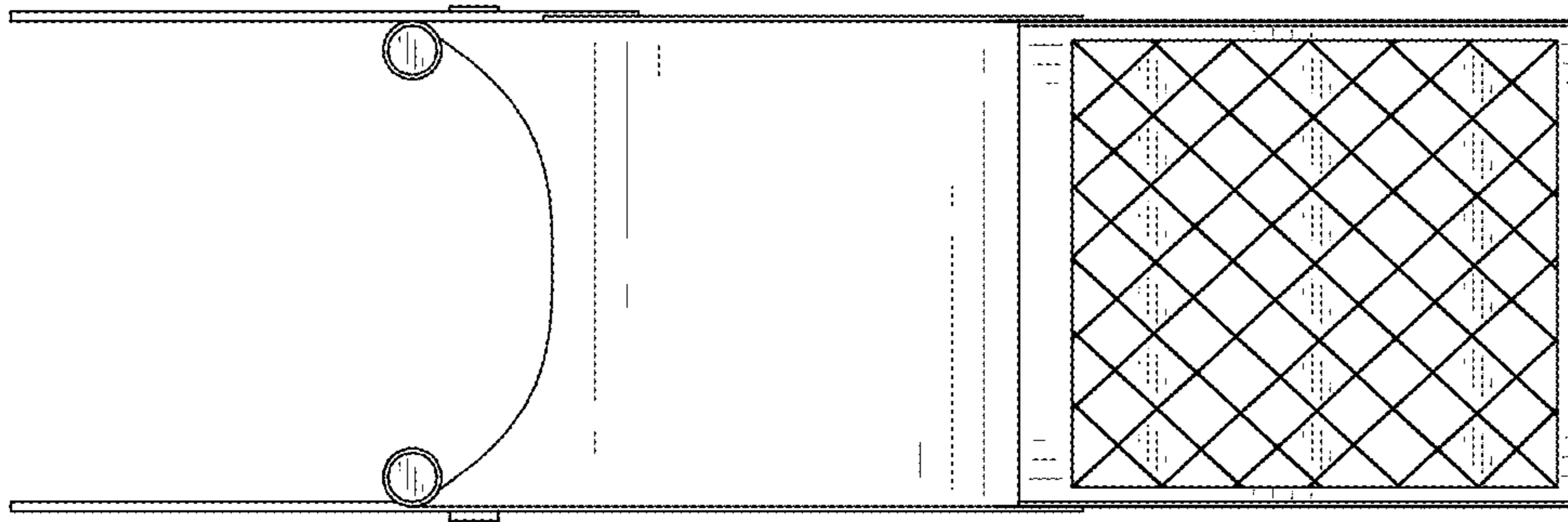


FIG. 6

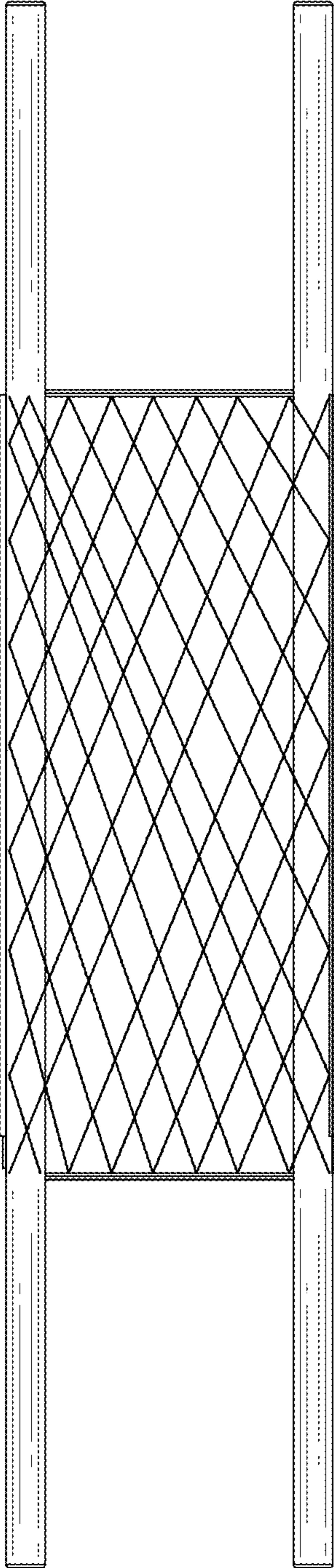


FIG. 7

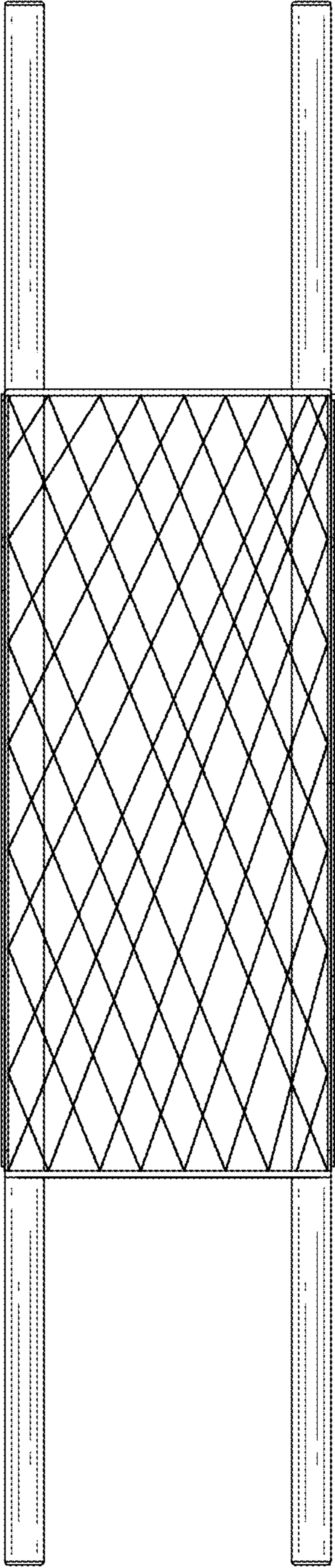


FIG. 8

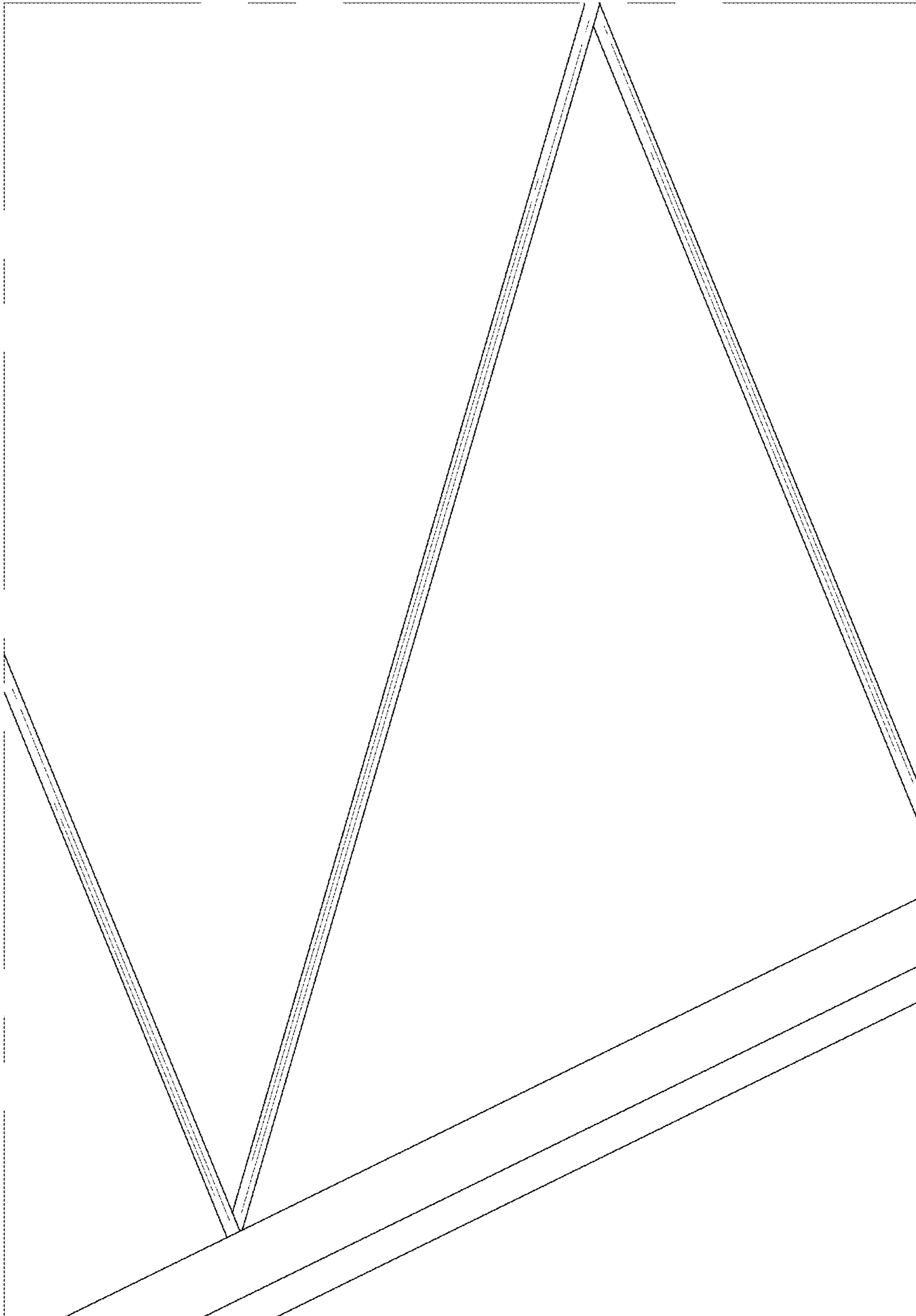


FIG. 9