



US00D885053S

(12) **United States Design Patent**
Jurica

(10) **Patent No.:** **US D885,053 S**

(45) **Date of Patent:** **** May 26, 2020**

(54) **MAKEUP BAG**

(71) Applicant: **Makeup Junkie Bags, LLC**, Conroe, TX (US)

(72) Inventor: **Meredith Jurica**, Willis, TX (US)

(**) Term: **15 Years**

(21) Appl. No.: **29/646,965**

(22) Filed: **May 8, 2018**

(51) **LOC (12) Cl.** **03-01**

(52) **U.S. Cl.**
USPC **D3/301**

(58) **Field of Classification Search**
USPC D3/201, 205, 242, 273, 274, 275, 276,
D3/279, 281, 282, 283, 284, 289, 292,
D3/294, 295, 296, 297, 299, 301, 302,
D3/901, 903, 905; D9/414
CPC A45C 5/04; A45C 11/00; A45C 11/16
See application file for complete search history.

(56) **References Cited**

U.S. PATENT DOCUMENTS

D101,439 S * 10/1936 Doppelt D3/301
D106,132 S * 9/1937 Doppelt D3/301

D280,864 S * 10/1985 Allen D3/283
D316,632 S * 5/1991 Kiyokane D3/301
D451,279 S * 12/2001 Chin D3/301
D596,241 S * 7/2009 Nathanson D21/392
7,843,432 B2 * 11/2010 Sween A45C 9/00
206/307.1
D874,150 S * 2/2020 Liu D3/303
D878,035 S * 3/2020 Peng D3/205

* cited by examiner

Primary Examiner — Brandon M Rosati

Assistant Examiner — Calvin E Vansant

(74) *Attorney, Agent, or Firm* — Kearney, McWilliams & Davis, PLLC; William C. Yarbrough

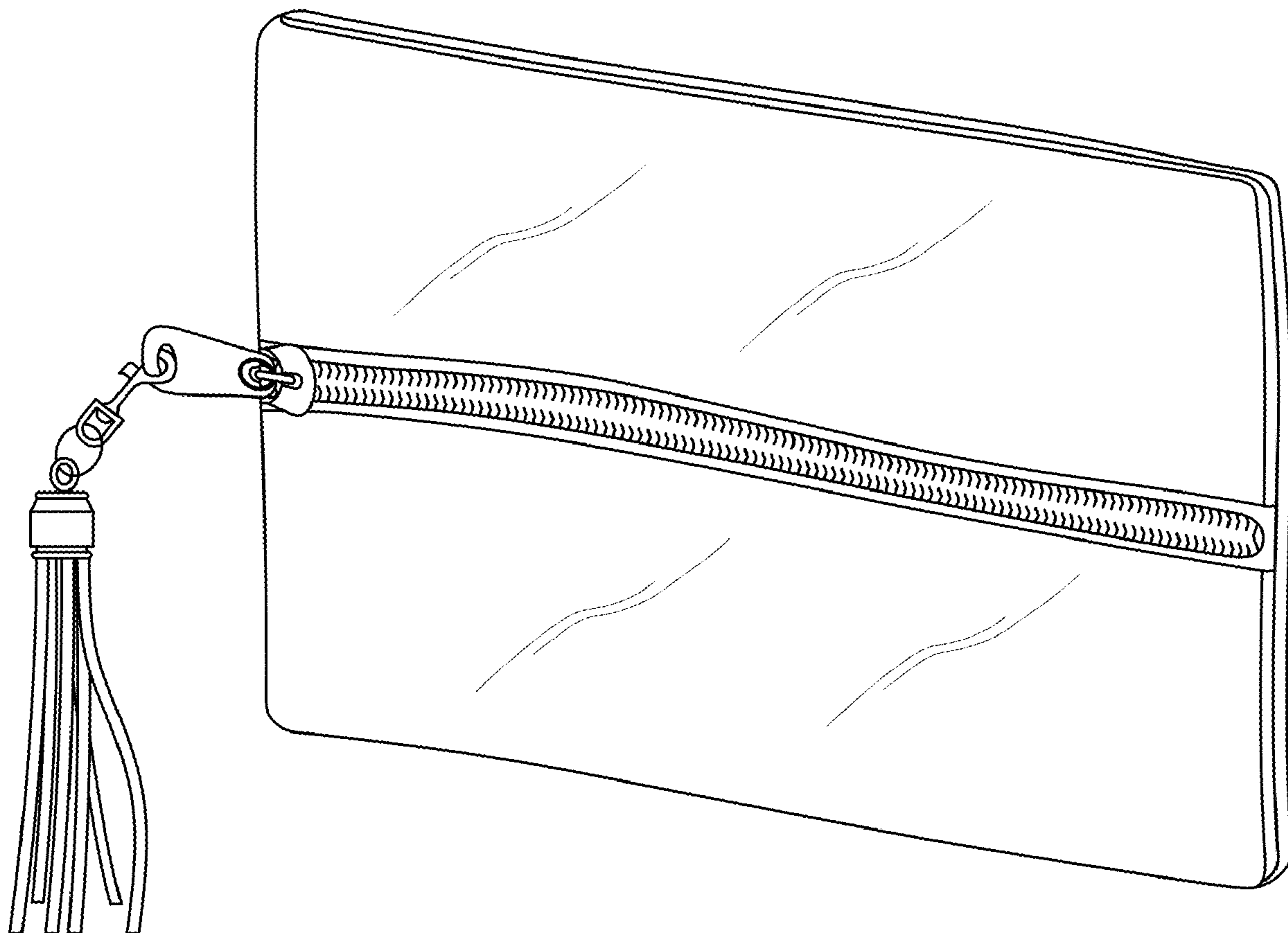
(57) **CLAIM**

The ornamental design for a makeup bag, as shown and described.

DESCRIPTION

FIG. 1 is a perspective view of the makeup bag.
FIG. 2 is a front view of the makeup bag.
FIG. 3 is a rear view of the makeup bag.
FIG. 4 is a right-side view of the makeup bag.
FIG. 5 is a left-side view of the makeup bag.
FIG. 6 is a top view of the makeup bag; and,
FIG. 7 is a bottom view of the makeup bag.

1 Claim, 4 Drawing Sheets



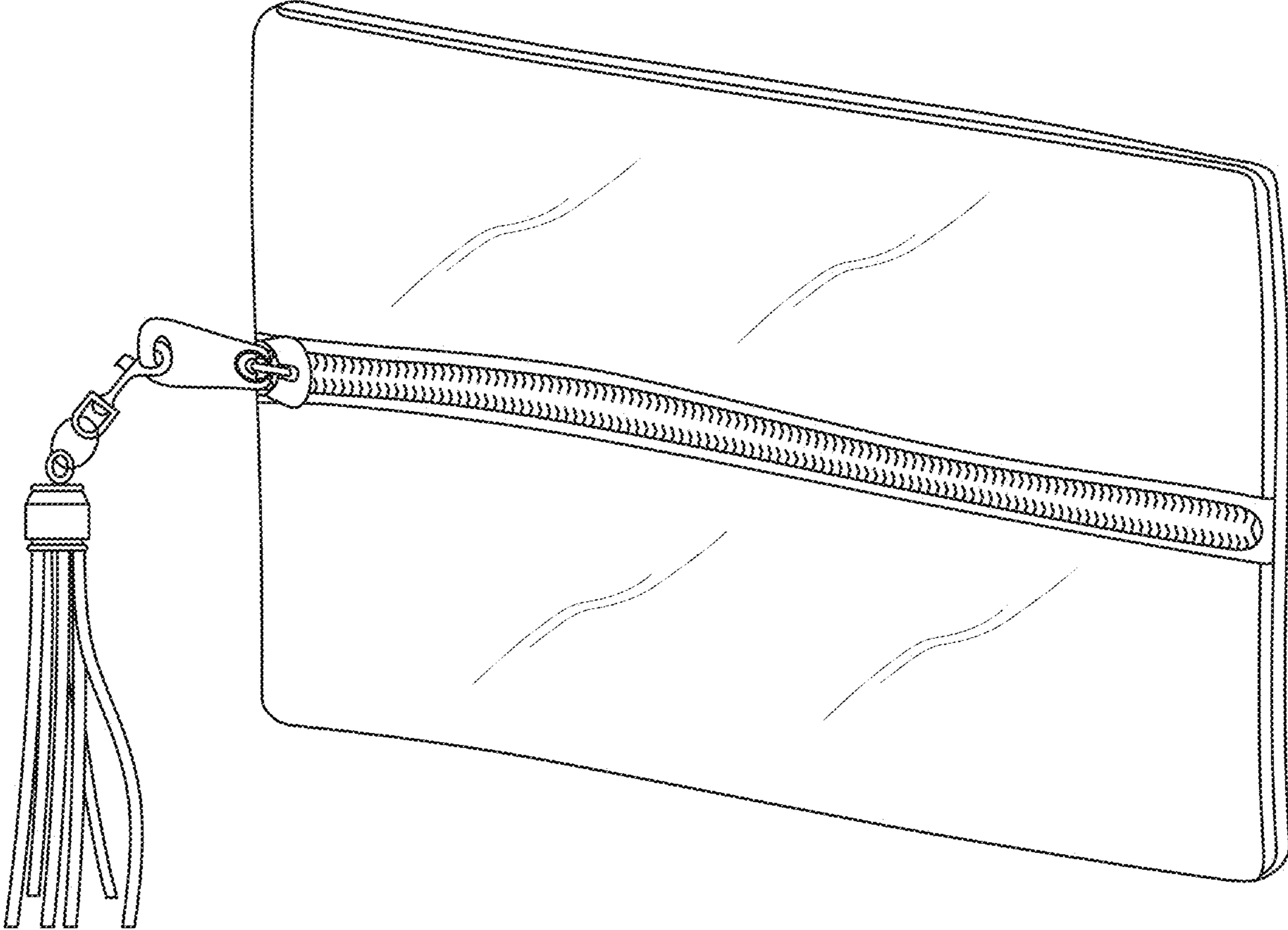


FIG. 1

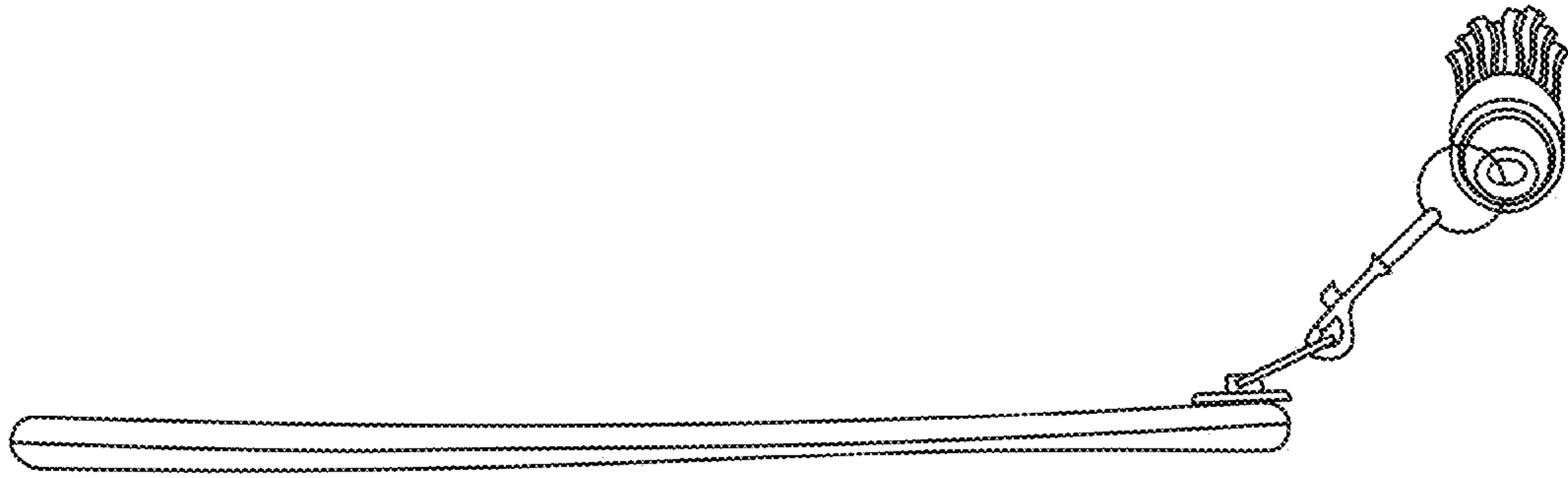


FIG. 2

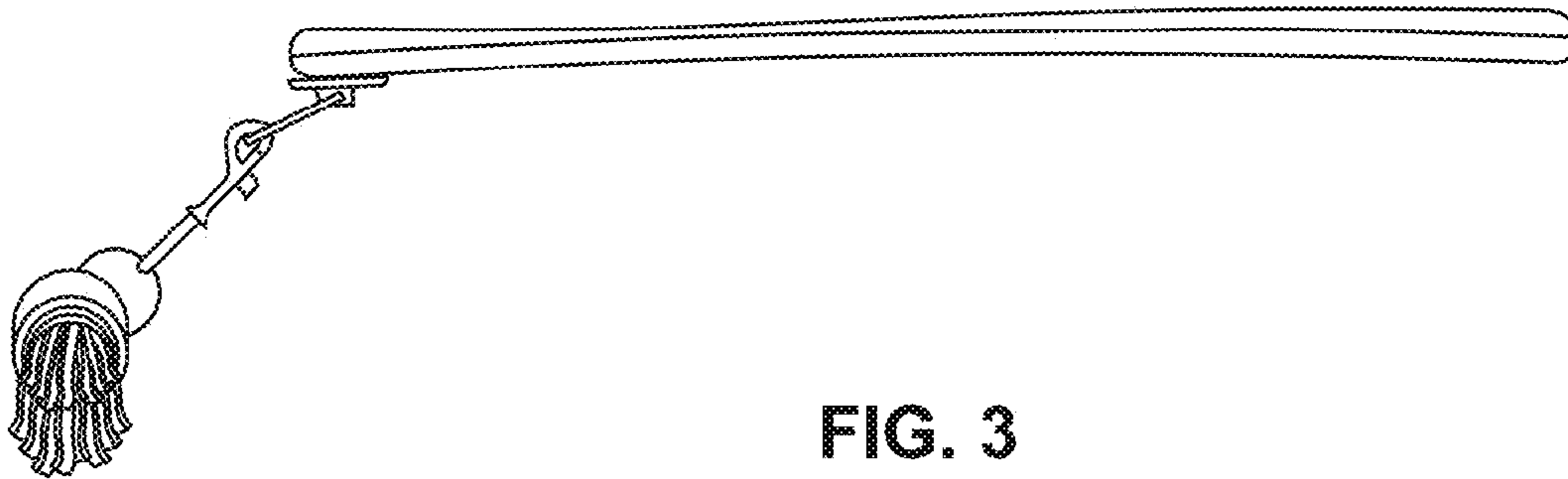


FIG. 3

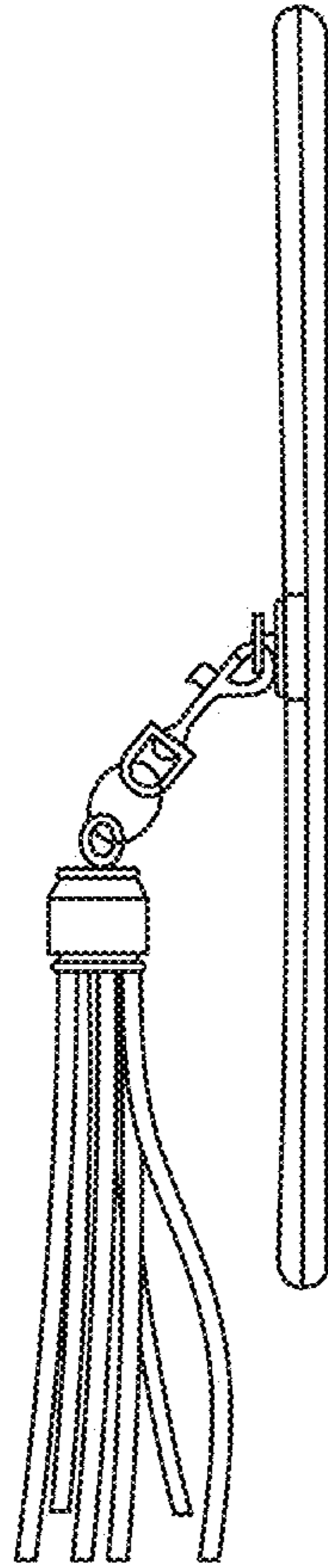


FIG. 4

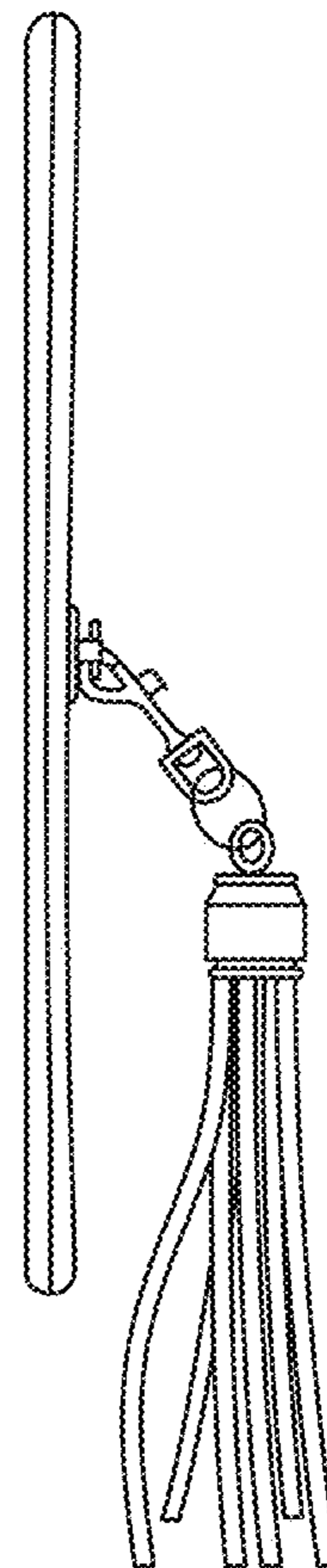


FIG. 5

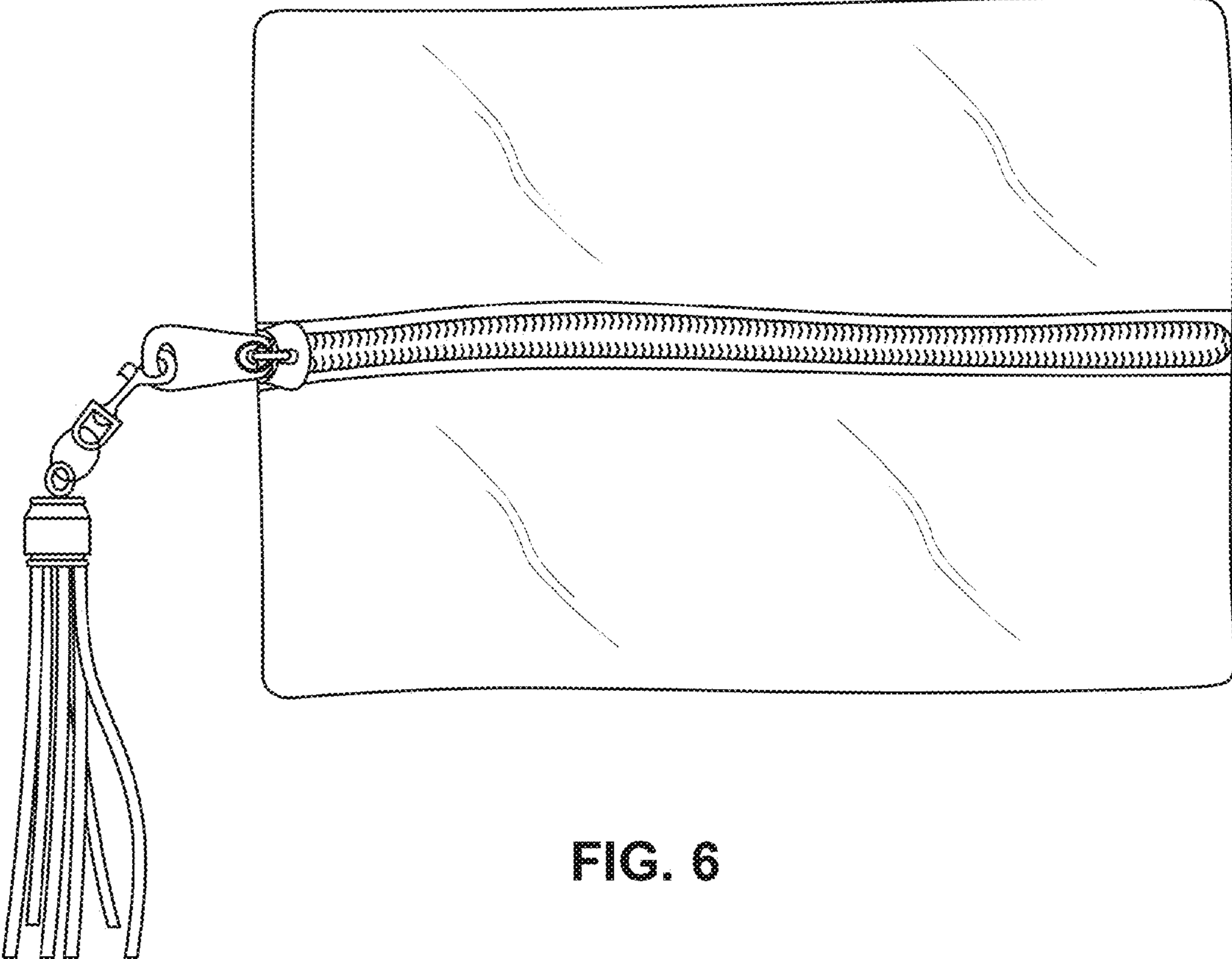


FIG. 6

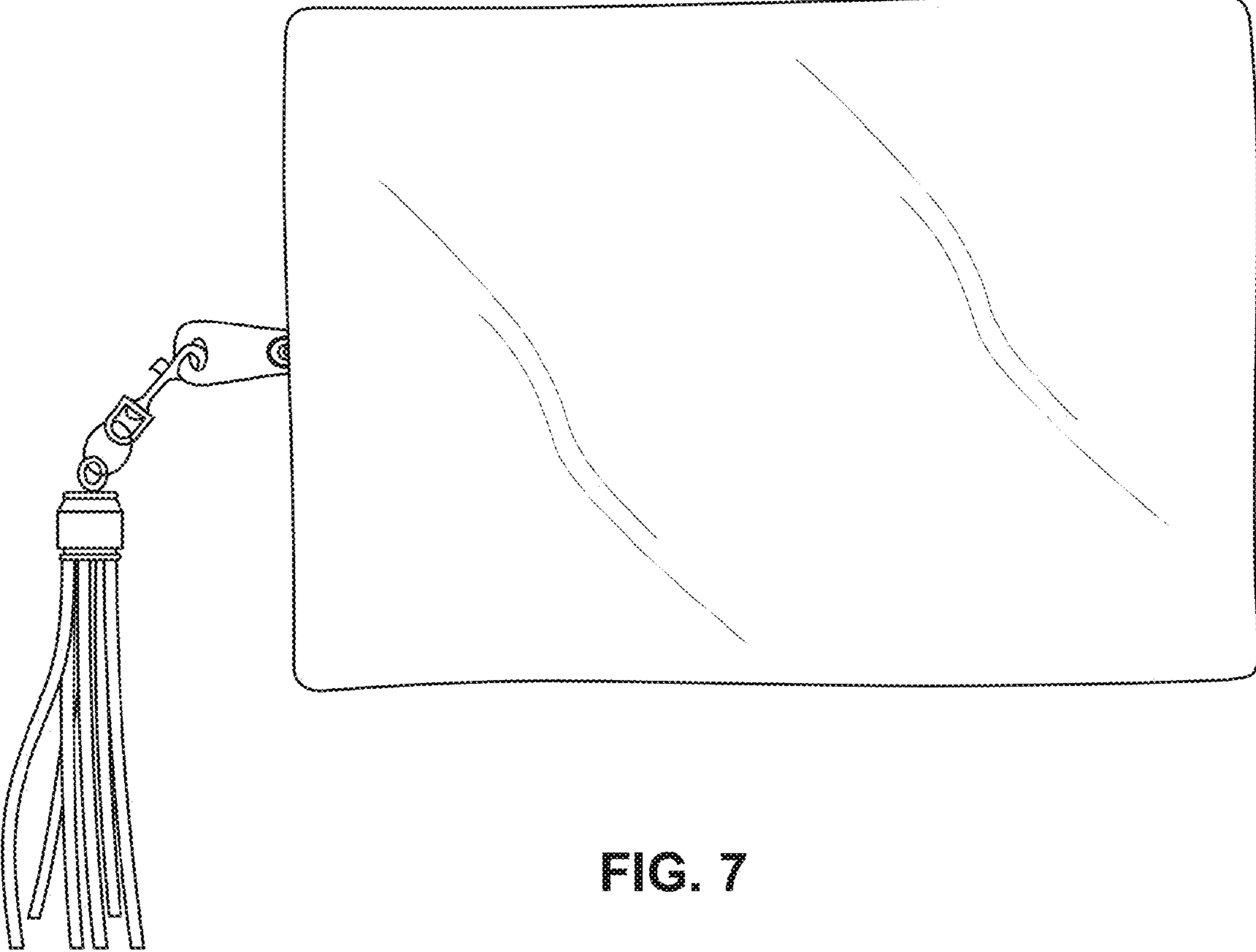


FIG. 7